

**NIS**<sup>TM</sup>



**NIS**<sup>TM</sup>

**BEARING UNITS CATALOGUE**

# BEARING UNITS CATALOGUE



**NIS**<sup>TM</sup>

	Page
1.00 Pillow Block	6
2.00 Flanged Unit	66
3.00 Hanger Unit	174
4.00 Take-Up Unit	180
5.00 Cylindrical Unit	222
6.00 Pillow Block Pressed Steel Housing	240
7.00 Flanged Unit Pressed Steel Housing	250
8.00 Pillow Block Zinc Alloy Housing	268
9.00 Flanged Unit Zinc Alloy Housing	272
10.00 Ball Bearing Insert	276
11.00 Caps for Plastic Housing	318

---

Conversion factors for British and S.I.Units

Quantity	Conversions
Mass	1 lb = 0.4563 kg 1 kg = 2.205 lb
Force	1 lbf = 4.448 N 1 N = 0.22481 lbf
Torque	1 lbf.ft = 1.3558 N.m 1 lbf.in = 0.1130 N.m 1 N.m = 0.73761 lbf.ft 1 N.m = 8.8501 lbf.in

Metric-inch conversion table

mm	inches	mm	inches	mm	inches
0.001	0.000039	0.01	0.00039	0.1	0.00394
0.002	0.000079	0.02	0.00079	0.2	0.00787
0.003	0.000118	0.03	0.00118	0.3	0.01181
0.004	0.000157	0.04	0.00157	0.4	0.01575
0.005	0.000197	0.05	0.00197	0.5	0.01969
0.006	0.000236	0.06	0.00236	0.6	0.02362
0.007	0.000276	0.07	0.00276	0.7	0.02756
0.008	0.000315	0.08	0.00315	0.8	0.03150
0.009	0.000354	0.09	0.00354	0.9	0.03543

Metric-inch conversion table

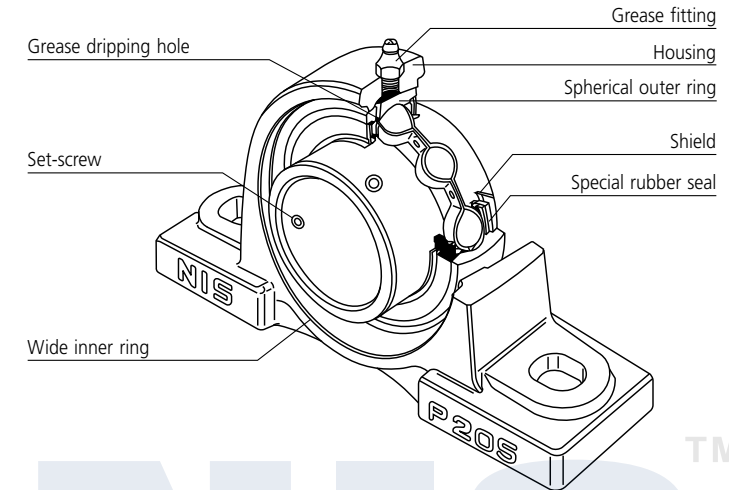
mm	0	10	20	30	40	50	60	70	80	90
0	inches	0.39370	0.78740	1.18110	1.57480	1.96850	2.36220	2.75591	3.14961	3.54331
1	0.03937	0.43307	0.82677	1.22047	1.61417	2.00787	2.40157	2.79528	3.18898	3.58268
2	0.07874	0.47244	0.86614	1.25984	1.65354	2.04724	2.44094	2.83465	3.22835	3.62205
3	0.11811	0.51181	0.90551	1.29921	1.69291	2.08661	2.48031	2.87402	3.26772	3.66142
4	0.15748	0.55118	0.94488	1.33858	1.73228	2.12598	2.51969	2.91339	3.30709	3.70079
5	0.19685	0.59055	0.98425	1.37795	1.77165	2.16535	2.55906	2.95276	3.34646	3.74016
6	0.23622	0.62992	1.02362	1.41732	1.81102	2.20472	2.59843	2.99213	3.38583	3.77953
7	0.27559	0.66929	1.06299	1.45669	1.85039	2.24409	2.63780	3.03150	3.42520	3.81890
8	0.31496	0.70866	1.10236	1.49606	1.88976	2.28346	2.67717	3.07087	3.46457	3.85827
9	0.35433	0.74803	1.14173	1.53543	1.92913	2.32283	2.71653	3.11024	3.50394	3.89764

Metric-inch conversion table

mm	0	100	200	300
0	inches	3.93701	7.87402	11.8110
5	0.19685	4.13386	8.07087	12.0079
10	0.39370	4.33071	8.26772	12.2047
15	0.59055	4.52756	8.46457	12.4016
20	0.78740	4.72441	8.66142	12.5984
25	0.98425	4.92126	8.85827	12.7953
30	1.18110	5.11811	9.05512	12.9921
35	1.37795	5.31496	9.25197	13.1890
40	1.57480	5.51181	9.44882	13.3858
45	1.77165	5.70866	9.64567	13.5827
50	1.96850	5.90551	9.84252	13.7795
55	2.16535	6.10236	10.0394	13.9764
60	2.36220	6.29921	10.2362	14.1732
65	2.55906	6.49606	10.4331	14.3701
70	2.75591	6.69291	10.6299	14.5669
75	2.95276	6.88976	10.8268	14.7638
80	3.14961	7.08661	11.0236	14.9606
85	3.34646	7.28346	11.2205	15.1575
90	3.54331	7.48031	11.4173	15.3543
95	3.74016	7.67716	11.6142	15.5512

A Bearing Units consists of double sealed, single row ball bearing and housing material includes on of the following:

- i) Cast Iron
- ii) Stainless Steel,
- iii) Pressed Steel
- iv) Plastic



Bearing Unit Structural Diagram

BEARING UNITS STRUCTURE

The outer ring of the self-contained ball bearing is ground to a sphere and the bore of housing is machined to a matching radius. This permits self-aligning between the two components. Above figure is a view of a Pillow Block which is the most popular type of Bearing Units with set screw locking. The bearing units have various types of perfect sealing devices and can operate satisfactorily under harsh environment; especially for machines operating in dusty or muddy surroundings. Thus, they are widely used in agricultural machinery, construction machinery, textile machinery, foodstuff machinery and conveying devices, etc.

*NOTE : When the fit between bearing and housing is clearance fit, the bearing's outer ring has anti-rotation ball (pin). The two set-screws on the wide inner ring are 120 degrees apart. Usually, the outer ring of the insert has no grease groove, unless requested by customers.*

THE FEATURES OF PRODUCT

● RATIONAL SELF-ALIGNMENT

The outside diameter of the bearing is shaped spherically to match the corresponding spherical shape of the inside diameter of the housing to provide self-aligning between these two components. This feature compensates the misalignments of the units resulting from errors in mounting and distorting of the foundation.

● LARGE LOAD CARRYING CAPACITY

The internal construction of the bearing inserts are designed to be the same as 6200 and 6300 series. The bearing units can sustain both radial and thrust loads and are low in noise during operation.

● **LONGER SERVICE LIFE**

Bearing units are often used in severe operating conditions where they are exposed to dust, moisture and high temperature. In such applications, the grease inside the inserts deteriorate in a short time. Hence it is necessary to relubricate at suitable intervals to replace deteriorating grease with fresh grease. Bearing units with cast iron housings are relubricable. It is equipped with grease fitting to secure full performance and longer service life of the units under any operating conditions.

● **EFFICIENT SEALING**

We can provide several types of sealing as follows:

1. **RS+SLINGER** type: The SLINGER is fixed to inner ring, rubber seal is fixed to outer ring. The rubber seal and inner ring can form standard torque contact sealing. This combination of two sealing elements can provide an effective barrier against the entrance of foreign matter, such as mud, dust, vapor and the leakage of grease to keep the bearing in good working condition. (Figure 1)
2. **Triple-lips** type: the metal shield with long triple rubber lips has considerable large torque and good sealing. This is suitable for agricultural machinery at bad surroundings. (Figure 2)
3. **RST** type: it covers the functions of both shield and seal. The rubber lip and inner ring form standard torque contact sealing, these can provide an effective barrier against the entrance of foreign matter such as mud, dust, vapor and leakage of grease. (Figure 3)

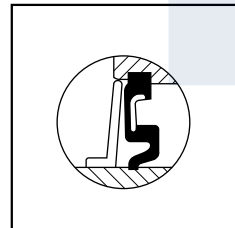


Figure 1

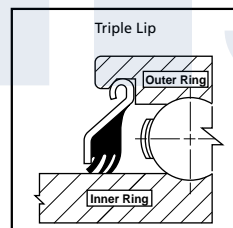


Figure 2

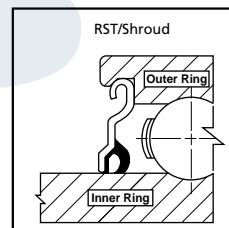


Figure 3

● **SOLID HOUSING**

The cast iron housing is made of solid one-piece construction to provide maximum rigidity against deformation during mounting and enables wear-resistance in any operating conditions.

● **BEARINGS CAN BE LOCKED ON THE SHAFT EASILY**

There are three methods of locking bearings to the shafts. Locking with two set-screws in the extended inner ring is the most common methods. Adapter sleeve locking or an eccentric locking collar is also available. All these locking methods can lock the bearings on the shaft easily.

● **SPECIAL HEAT-TREATMENT ON BEARING INNER RING**

The inner ring of the inserts is hardened in the race-way and surroundings. The areas of set-screw hole of the inner ring has be tempered by high temperature after hardening, this enable higher toughness and impact elasticity. This special heat-treatment ensures full bearing performance and the set screws to be tightened hard enough with causing damage to the inner ring set-screw hole.

● **COMPLETE INTERCHANGEABILITY BETWEEN BEARING AND HOUSING**

Skilled precision workmanship on insets and housings provides complete interchangeability between them and the insets cab be easily replaced whenever required.

● **EASY INSTALLATION**

The inserts are pre-lubricated with an adequate quantity of high quality grease. Bearing units can be mounted on the shaft immediately. Therefore, the bearing chamber are free from harmful contaminates during mounting.

The desired installation method for set-screw inserts is as follows:

1. Install the housing at support base firmly
2. Tightening the two set-screws to the shaft.

The desired installation method for the eccentric collar inserts is as follows:

1. Install the housing at support base firmly
2. Rotate the eccentric locking collar by hand to lock the shaft in the direction of the rotation.
3. Tighten the set-screw to locate the eccentric collar to the shaft

**PROPER TIGHTENING TORQUE OF SET SCREWS**

BEARING NO.		SET SCREW	TIGHTENING TORQUE (N.m)(MAX)
UC204-UC206	UC305-UC306	M6 X 1	3.9
UC207-UC209	UC307	M8 X 1	7.8
UC210-UC212	UC308-UC309	M10 X 1.25	16.6
UC213-UC218	UC310-UC313	M12 X 1.5	29.4
	UC314-UC316	M14 X 1.5	34.3



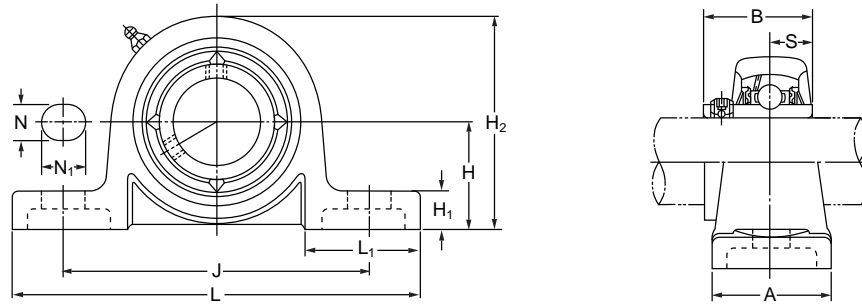


Note: All stainless steel housing can be supplied with solid base as an option.

# Pillow Block

	Page
1.01 Set Screw Type - UCP 200 Series	07
1.02 Set Screw Type - UCPX Series	13
1.03 Set Screw Type - UCP 300 Series	17
1.04 Taper Bored with Adapter Sleeve - UKP 200 Series	23
1.05 Taper Bored with Adapter Sleeve - UKPX Series	27
1.06 Taper Bored with Adapter Sleeve - UKP 300 Series	31
1.07 Eccentric Locking Collar Type - UELP 200 Series	35
1.08 Eccentric Locking Collar Type - UELP 300 Series	39
1.09 Set Screw Type - UCPL Series (Low Center Height)	45
1.10 Set Screw Type - ASPL 200 Series (Low Center Height)	49
1.11 Eccentric Locking Collar Type - AELPL 200 Series (Low Center Height)	51
1.12 Set Screw Type - UCHP Series (High Center Height)	53
1.13 Eccentric Locking Collar Type - UELHP 200 Series (High Center Height)	57
1.14 Set Screw Type - UCPA Series	59
1.15 Eccentric Locking Collar Type - UELUP 200 Series	63

■ Set Screw Type - UCP 200 Series

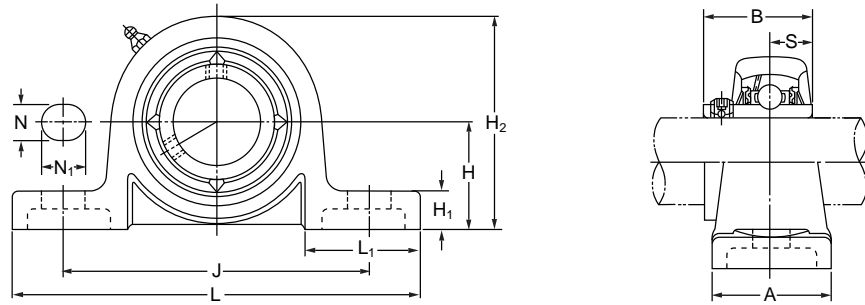


Shaft Dia.	* Unit Number	Basic Dimensions								
		H	L	J	A	N	N <sub>1</sub>	H <sub>1</sub>	H <sub>2</sub>	L <sub>1</sub>
mm inch		mm inch								
<b>12</b> 1/2	<b>UCP201</b> UCP201-008	<b>30</b> 1 3/16	<b>127</b> 5	<b>95</b> 3 3/4	<b>38</b> 1 1/2	<b>13</b> 1/2	<b>16</b> 5/8	<b>14</b> 9/16	<b>62</b> 2 7/16	<b>42</b> 1 21/32
<b>15</b> 9/16 5/8	<b>UCP202</b> UCP202-009 UCP202-010	<b>30.2</b> 1 3/16	<b>127</b> 5	<b>95</b> 3 3/4	<b>38</b> 1 1/2	<b>13</b> 1/2	<b>16</b> 5/8	<b>14</b> 9/16	<b>62</b> 2 7/16	<b>42</b> 1 21/32
<b>17</b> 11/16	<b>UCP203</b> UCP203-011	<b>30.2</b> 1 3/16	<b>127</b> 5	<b>95</b> 3 3/4	<b>38</b> 1 1/2	<b>13</b> 1/2	<b>16</b> 5/8	<b>14</b> 9/16	<b>62</b> 2 7/16	<b>42</b> 1 21/32
<b>20</b> 3/4	<b>UCP204</b> UCP204-012	<b>33.3</b> 1 5/16	<b>127</b> 5	<b>95</b> 3 3/4	<b>38</b> 1 1/2	<b>13</b> 1/2	<b>16</b> 5/8	<b>14</b> 9/16	<b>65</b> 2 9/16	<b>42</b> 1 21/32
<b>25</b> 13/16 7/8 15/16 1	<b>UCP205</b> UCP205-013 UCP205-014 UCP205-015 UCP205-100	<b>36.5</b> 1 7/16	<b>140</b> 5 1/2	<b>105</b> 4 1/8	<b>38</b> 1 1/2	<b>13</b> 1/2	<b>16</b> 5/8	<b>15</b> 19/32	<b>71</b> 2 25/32	<b>42</b> 1 21/32
<b>30</b> 1 1/16 1 1/8 1 3/16 1 1/4	<b>UCP206</b> UCP206-101 UCP206-102 UCP206-103 UCP206-104	<b>42.9</b> 1 11/16	<b>160</b> 6 1/2	<b>121</b> 4 3/4	<b>44</b> 1 7/8	<b>17</b> 21/32	<b>20</b> 25/32	<b>17</b> 21/32	<b>83</b> 3 9/32	<b>54</b> 2 1/8
<b>35</b> 1 1/4 1 5/16 1 3/8 1 7/16	<b>UCP207</b> UCP207-104 UCP207-105 UCP207-106 UCP207-107	<b>47.6</b> 1 7/8	<b>167</b> 6 9/16	<b>127</b> 5	<b>48</b> 1 7/8	<b>17</b> 21/32	<b>20</b> 25/32	<b>18</b> 23/32	<b>93</b> 3 21/32	<b>54</b> 2 1/8
<b>40</b> 1 1/2 1 9/16	<b>UCP208</b> UCP208-108 UCP208-109	<b>49.2</b> 1 15/16	<b>184</b> 7 1/4	<b>137</b> 5 13/32	<b>54</b> 2 1/8	<b>17</b> 21/32	<b>20</b> 25/32	<b>18</b> 23/32	<b>98</b> 3 27/32	<b>52</b> 2 1/16
<b>45</b> 1 5/8 1 11/16 1 3/4	<b>UCP209</b> UCP209-110 UCP209-111 UCP209-112	<b>54</b> 2 1/8	<b>190</b> 7 15/32	<b>146</b> 5 3/4	<b>54</b> 2 1/8	<b>17</b> 21/32	<b>20</b> 25/32	<b>20</b> 25/32	<b>106</b> 4 3/16	<b>60</b> 2 3/8

\* Denotation  
 UCP : Cast Housing with chrome steel bearing inserts.  
 MUCP : Stainless Steel Housing with stainless steel bearing inserts.  
 MUCPPL...SB : Plastic Housing with stainless steel bearing inserts.

B	S	Bolt Size mm inch	Bearing Number	Housing Number	Mass (kg/lbs)		
					UCP	MUCP	MUCPPL...SB
<b>31</b> 1.2205	<b>12.7</b> 0.500	<b>M10</b> 3/8	<b>UC201</b> UC201-008	<b>P201</b>	<b>0.7</b> 1.5	<b>-</b>	<b>0.14</b> 0.31
<b>31</b> 1.2205	<b>12.7</b> 0.500	<b>M10</b> 3/8	<b>UC202</b> UC202-009 UC202-010	<b>P202</b> P202	<b>0.7</b> 1.5	<b>-</b>	<b>0.14</b> 0.31
<b>31</b> 1.2205	<b>12.7</b> 0.500	<b>M10</b> 3/8	<b>UC203</b> UC203-011	<b>P203</b>	<b>0.7</b> 1.5	<b>-</b>	<b>0.14</b> 0.31
<b>31</b> 1.2205	<b>12.7</b> 0.500	<b>M10</b> 3/8	<b>UC204</b> UC204-012	<b>P204</b>	<b>0.7</b> 1.5	<b>0.7</b> 1.5	<b>0.14</b> 0.31
<b>34.1</b> 1.3425	<b>14.3</b> 0.563	<b>M10</b> 3/8	<b>UC205</b> UC205-013 UC205-014 UC205-015 UC205-100	<b>P205</b> P205 P205 P205	<b>0.8</b> 1.8	<b>0.9</b> 2.0	<b>0.14</b> 0.31
<b>38.1</b> 1.5000	<b>15.9</b> 0.626	<b>M14</b> 1/2	<b>UC206</b> UC206-101 UC206-102 UC206-103 UC206-104	<b>P206</b> P206 P206 P206	<b>1.3</b> 2.9	<b>1.2</b> 2.6	<b>0.21</b> 0.46
<b>42.9</b> 1.6890	<b>17.5</b> 0.689	<b>M14</b> 1/2	<b>UC207</b> UC207-104 UC207-105 UC207-106 UC207-107	<b>P207</b> P207 P207 P207	<b>1.6</b> 3.5	<b>1.7</b> 3.7	<b>0.21</b> 0.46
<b>49.2</b> 1.9370	<b>19</b> 0.748	<b>M14</b> 1/2	<b>UC208</b> UC208-108 UC208-109	<b>P208</b> P208	<b>1.9</b> 4.2	<b>2.1</b> 4.6	<b>0.35</b> 0.77
<b>49.2</b> 1.9370	<b>19</b> 0.748	<b>M14</b> 1/2	<b>UC209</b> UC209-110 UC209-111 UC209-112	<b>P209</b> P209 P209	<b>2.2</b> 4.9	<b>2.4</b> 5.3	<b>-</b>

■ Set Screw Type - UCP 200 Series

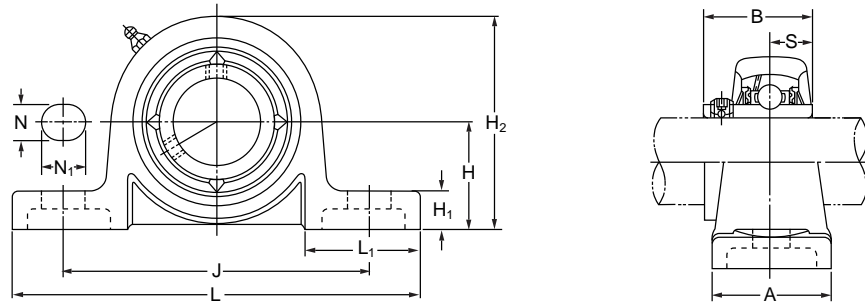


Shaft Dia. mm inch	* Unit Number	Basic Dimensions								
		H	L	J	A	N	N <sub>1</sub>	H <sub>1</sub>	H <sub>2</sub>	L <sub>1</sub>
<b>50</b> 1 13/16 1 7/8 1 15/16 2	<b>UCP210</b> UCP210-113 UCP210-114 UCP210-115 UCP210-200	<b>57.2</b> 2 1/4	<b>206</b> 8 1/8	<b>159</b> 6 1/4	<b>58</b> 2 3/8	<b>20</b> 25/32	<b>23</b> 29/32	<b>21</b> 13/16	<b>114</b> 4 1/2	<b>65</b> 2 9/16
<b>55</b> 2 2 1/16 2 1/8 2 3/16	<b>UCP211</b> UCP211-200 UCP211-201 UCP211-202 UCP211-203	<b>63.5</b> 2 1/2	<b>219</b> 8 5/8	<b>171</b> 6 23/32	<b>58</b> 2 3/8	<b>20</b> 25/32	<b>23</b> 29/32	<b>23</b> 29/32	<b>126</b> 4 31/32	<b>65</b> 2 9/16
<b>60</b> 2 1/4 2 5/16 2 3/8 2 7/16	<b>UCP212</b> UCP212-204 UCP212-205 UCP212-206 UCP212-207	<b>69.8</b> 2 3/4	<b>241</b> 9 1/2	<b>184</b> 7 1/4	<b>70</b> 2 3/4	<b>20</b> 25/32	<b>23</b> 29/32	<b>25</b> 31/32	<b>138</b> 5 7/16	<b>70</b> 2 3/4
<b>65</b> 2 1/2 2 9/16	<b>UCP213</b> UCP213-208 UCP213-209	<b>76.2</b> 3	<b>263</b> 10 7/16	<b>203</b> 8	<b>70</b> 2 3/4	<b>25</b> 31/32	<b>28</b> 1 3/32	<b>27</b> 1 1/16	<b>151</b> 5 15/16	<b>77</b> 3 1/32
<b>70</b> 2 5/8 2 11/16 2 3/4	<b>UCP214</b> UCP214-210 UCP214-211 UCP214-212	<b>79.4</b> 3 1/8	<b>266</b> 10 15/32	<b>210</b> 8 9/32	<b>71</b> 2 27/32	<b>25</b> 31/32	<b>28</b> 1 3/32	<b>27</b> 1 1/16	<b>157</b> 6 3/16	<b>77</b> 3 1/32
<b>75</b> 2 13/16 2 7/8 2 15/16 3	<b>UCP215</b> UCP215-213 UCP215-214 UCP215-215 UCP215-300	<b>82.6</b> 3 1/4	<b>275</b> 10 13/16	<b>217</b> 8 17/32	<b>73</b> 2 29/32	<b>25</b> 31/32	<b>28</b> 1 3/32	<b>28</b> 1 3/32	<b>163</b> 6 13/32	<b>80</b> 3 5/32
<b>80</b> 3 1/16 3 1/8 3 3/16	<b>UCP216</b> UCP216-301 UCP216-302 UCP216-303	<b>88.9</b> 3 1/2	<b>292</b> 11 1/2	<b>232</b> 9 1/8	<b>77</b> 3 1/16	<b>25</b> 31/32	<b>28</b> 1 3/32	<b>30</b> 1 3/16	<b>175</b> 6 7/8	<b>85</b> 3 11/32

\* Denotation  
 UCP : Cast Housing with chrome steel bearing inserts.  
 MUCP : Stainless Steel Housing with stainless steel bearing inserts.  
 MUCPPL...SB : Plastic Housing with stainless steel bearing inserts.

B	S	Bolt Size mm inch	Bearing Number	Housing Number	Mass (kg/lbs)		
					UCP	MUCP	MUCPPL...SB
<b>51.6</b>	<b>19</b>	<b>M16</b>	<b>UC210</b> UC210-113 UC210-114 UC210-115 UC210-200	<b>P210</b> P210 P210 P210	<b>2.6</b> 5.7	<b>1.6</b> 3.5	- -
<b>55.6</b>	<b>22.2</b>	<b>M16</b>	<b>UC211</b> UC211-200 UC211-201 UC211-202 UC211-203	<b>P211</b> P211 P211 P211	<b>3.3</b> 7.3	<b>1.9</b> 4.2	- -
<b>65.1</b>	<b>25.4</b>	<b>M16</b>	<b>UC212</b> UC212-204 UC212-205 UC212-206 UC212-207	<b>P212</b> P212 P212 P212	<b>4.6</b> 10	<b>2.3</b> 5.1	- -
<b>65.1</b>	<b>25.4</b>	<b>M20</b>	<b>UC213</b> UC213-208 UC213-209	<b>P213</b> P213 P213	<b>5.9</b> 13	- -	- -
<b>74.6</b>	<b>30.2</b>	<b>M20</b>	<b>UC214</b> UC214-210 UCP214-211 UCP214-212	<b>P214</b> P214 P214	<b>6.6</b> 15	- -	- -
<b>77.8</b>	<b>33.3</b>	<b>M20</b>	<b>UC215</b> UC215-213 UC215-214 UC215-215 UC215-300	<b>P215</b> P215 P215 P215	<b>7.4</b> 16	- -	- -
<b>82.6</b>	<b>33.3</b>	<b>M20</b>	<b>UC216</b> UC216-301 UC216-302 UC216-303	<b>P216</b> P216 P216	<b>9.0</b> 20	- -	- -

■ Set Screw Type - UCP 200 Series



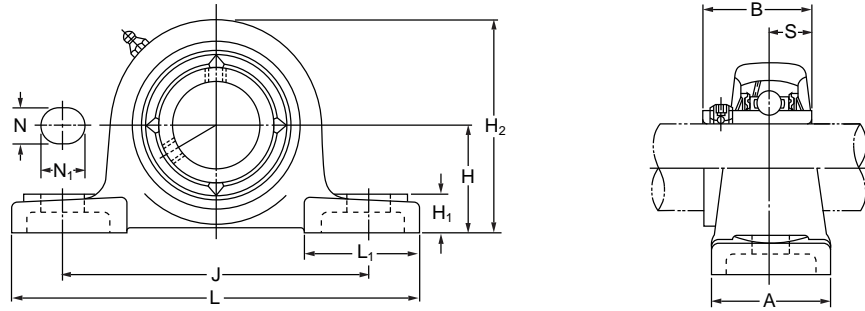
Shaft Dia.	* Unit Number	Basic Dimensions								
		mm inch								
mm inch		H	L	J	A	N	N <sub>1</sub>	H <sub>1</sub>	H <sub>2</sub>	L <sub>1</sub>
<b>85</b>	<b>UCP217</b>	<b>95.2</b>	<b>310</b>	<b>247</b>	<b>83</b>	<b>25</b>	<b>28</b>	<b>32</b>	<b>187</b>	<b>85</b>
3 1/4	UCP217-304									
3 5/16	UCP217-305	3 3/4	12 7/32	9 23/32	3 9/32	31/32	1 3/32	1 1/4	7 3/8	3 11/32
3 7/16	UCP217-307									
<b>90</b>	<b>UCP218</b>	<b>101.6</b>	<b>327</b>	<b>262</b>	<b>87</b>	<b>27</b>	<b>30</b>	<b>33</b>	<b>200</b>	<b>90</b>
3 1/2	UCP218-308	4	12 7/8	10 5/16	3 15/32	1 1/16	1 3/16	1 5/16	7 7/8	3 17/32

\* Denotation  
 UCP : Cast Housing with chrome steel bearing inserts.  
 MUCP : Stainless Steel Housing with stainless steel bearing inserts.  
 MUCPPL...SB : Plastic Housing with stainless steel bearing inserts.

B	S	Bolt Size	Bearing Number	Housing Number	Mass (kg/lbs)		
					UCP	MUCP	MUCPPL...SB
mm inch	mm inch	mm inch					
<b>85.7</b>	<b>34.1</b>	<b>M20</b>	<b>UC217</b>	<b>P217</b>	<b>11</b>	-	-
			UC217-304	P217			
3.3740	1.343	3/4	UC217-305	P217	24	-	T-M
			UC217-307	P217			
<b>96</b>	<b>39.7</b>	<b>M22</b>	<b>UC218</b>	<b>P218</b>	<b>13</b>	-	-
3.7795	1.563	7/8	UC218-308	P218	29	-	-



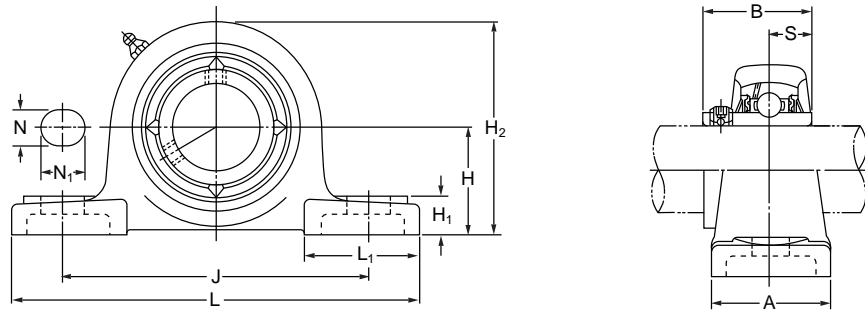
■ Set Screw Type - UCPX Series



Shaft Dia.	Unit Number	Basic Dimensions								
		H	L	J	A	N	N <sub>1</sub>	H <sub>1</sub>	H <sub>2</sub>	L <sub>1</sub>
<b>25</b>	<b>UCPX05</b>	<b>44</b>	<b>159</b>	<b>119</b>	<b>51</b>	<b>17</b>	<b>20</b>	<b>18</b>	<b>85</b>	<b>50</b>
13/16	UCPX05-013									
7/8	UCPX05-014	1 3/4	6 1/4	4 11/16	2	21/32	25/32	23/32	3 11/32	1 31/32
15/16	UCPX05-015									
1	UCPX05-100									
<b>30</b>	<b>UCPX06</b>	<b>47.6</b>	<b>175</b>	<b>127</b>	<b>57</b>	<b>17</b>	<b>20</b>	<b>20</b>	<b>93</b>	<b>54</b>
1 1/16	UCPX06-101									
1 1/8	UCPX06-102	1 7/8	6 7/8	5	2 1/4	21/32	25/32	25/32	3 21/32	2 1/8
1 3/16	UCPX06-103									
1 1/4	UCPX06-104									
<b>35</b>	<b>UCPX07</b>	<b>54</b>	<b>203</b>	<b>144</b>	<b>57</b>	<b>17</b>	<b>20</b>	<b>21</b>	<b>105</b>	<b>60</b>
1 5/16	UCPX07-105									
1 3/8	UCPX07-106	2 1/8	8	5 21/32	2 1/4	21/32	25/32	13/16	4 1/8	2 3/8
1 7/16	UCPX07-107									
<b>40</b>	<b>UCPX08</b>	<b>58.7</b>	<b>222</b>	<b>156</b>	<b>67</b>	<b>20</b>	<b>23</b>	<b>26</b>	<b>111</b>	<b>65</b>
1 1/2	UCPX08-108									
1 9/16	UCPX08-109	2 5/16	8 3/4	6 5/32	2 5/8	25/32	29/32	1 1/32	4 3/8	2 9/16
<b>45</b>	<b>UCPX09</b>	<b>58.7</b>	<b>222</b>	<b>156</b>	<b>67</b>	<b>20</b>	<b>23</b>	<b>26</b>	<b>116</b>	<b>65</b>
1 5/8	UCPX09-110									
1 11/16	UCPX09-111	2 5/16	8 3/4	6 5/32	2 5/8	25/32	29/32	1 1/32	4 9/16	2 9/16
1 3/4	UCPX09-112									
1 13/16	UCPX09-113									
<b>50</b>	<b>UCPX10</b>	<b>63.5</b>	<b>241</b>	<b>171</b>	<b>73</b>	<b>20</b>	<b>23</b>	<b>27</b>	<b>126</b>	<b>70</b>
1 7/8	UCPX10-114									
1 15/16	UCPX10-115	2 1/2	9 1/2	6 23/32	2 7/8	25/32	29/32	1 1/16	4 31/32	2 3/4
2	UCPX10-200									
<b>55</b>	<b>UCPX11</b>	<b>69.8</b>	<b>260</b>	<b>184</b>	<b>79</b>	<b>25</b>	<b>28</b>	<b>30</b>	<b>137</b>	<b>75</b>
2 1/16	UCPX11-201									
2 1/8	UCPX11-202									
2 3/16	UCPX11-203	2 3/4	10 1/4	7 1/4	3 1/8	31/32	1 3/32	1 3/16	5 13/32	2 15/16
2 1/4	UCPX11-204									
2 5/16	UCPX11-205									

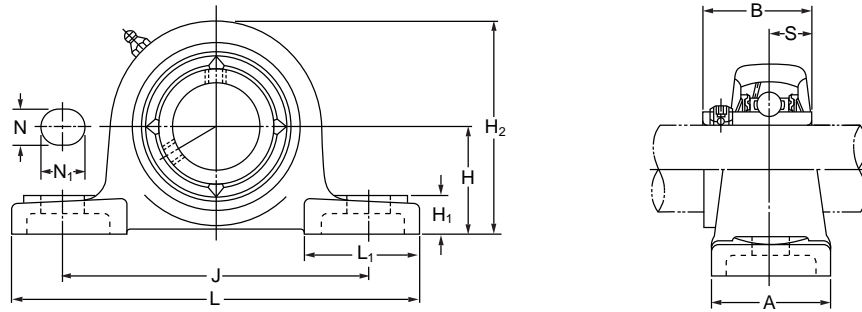
B	S	Bolt Size	Bearing Number	Housing Number	Mass
					kg/lbs
<b>38.1</b>	<b>15.9</b>	<b>M14</b>	<b>UCX05</b>	<b>PX05</b>	<b>1.5</b>
			UCX05-013	PX05	
1.5000	0.626	1/2	UCX05-014	PX05	3.3
			UCX05-015	PX05	
			UCX05-100	PX05	
<b>42.9</b>	<b>17.5</b>	<b>M14</b>	<b>UCX06</b>	<b>PX06</b>	<b>2.0</b>
			UCX06-101	PX06	
1.6890	0.689	1/2	UCX06-102	PX06	4.4
			UCX06-103	PX06	
			UCX06-104	PX06	
<b>49.2</b>	<b>19</b>	<b>M14</b>	<b>UCX07</b>	<b>PX07</b>	<b>2.6</b>
			UCX07-105	PX07	
1.9370	0.748	1/2	UCX07-106	PX07	5.7
			UCX07-107	PX07	
<b>49.2</b>	<b>19</b>	<b>M16</b>	<b>UCX08</b>	<b>PX08</b>	<b>3.3</b>
			UCX08-108	PX08	
1.9370	0.748	5/8	UCX08-109	PX08	7.3
<b>51.6</b>	<b>19</b>	<b>M16</b>	<b>UCX09</b>	<b>PX09</b>	<b>3.3</b>
			UCX09-110	PX09	
2.0315	0.748	5/8	UCX09-111	PX09	7.3
			UCX09-112	PX09	
			UCX09-113	PX09	
<b>55.6</b>	<b>22.2</b>	<b>M16</b>	<b>UCX10</b>	<b>PX10</b>	<b>4.3</b>
			UCX10-114	PX10	
2.1890	0.874	5/8	UCX10-115	PX10	9.5
			UCX10-200	PX10	
<b>65.1</b>	<b>25.4</b>	<b>M20</b>	<b>UCX11</b>	<b>PX11</b>	<b>5.7</b>
			UCX11-201	PX11	
2.5630	1.000	3/4	UCX11-202	PX11	
			UCX11-203	PX11	13
			UCX11-204	PX11	
			UCX11-205	PX11	

■ Set Screw Type - UCPX Series



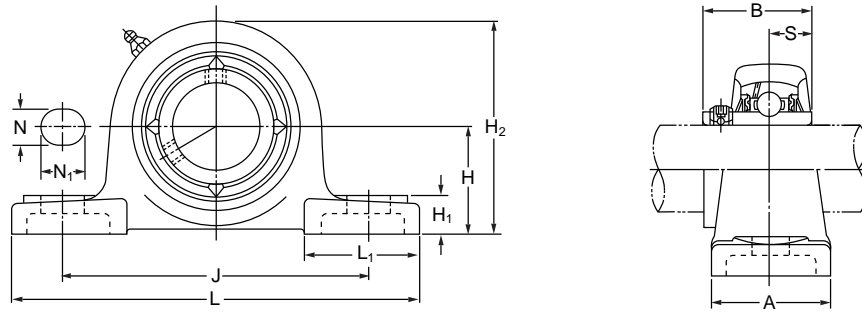
Shaft Dia.	Unit Number	Basic Dimensions								
		H	L	J	A	N	N <sub>1</sub>	H <sub>1</sub>	H <sub>2</sub>	L <sub>1</sub>
<b>60</b>	<b>UCPX12</b>	<b>76.2</b>	<b>286</b>	<b>203</b>	<b>83</b>	<b>25</b>	<b>28</b>	<b>33</b>	<b>151</b>	<b>80</b>
2 3/8	UCPX12-206	3	11 1/4	8	3 9/32	31/32	1 3/32	1 5/16	5 15/16	3 5/32
2 7/16	UCPX12-207									
<b>65</b>	<b>UCPX13</b>	<b>76.2</b>	<b>286</b>	<b>203</b>	<b>83</b>	<b>25</b>	<b>28</b>	<b>33</b>	<b>154</b>	<b>80</b>
2 1/2	UCPX13-208	3	11 1/4	8	3 9/32	31/32	1 3/32	1 5/16	6 1/16	3 5/32
2 9/16	UCPX13-209									
<b>70</b>	<b>UCPX14</b>	<b>88.9</b>	<b>330</b>	<b>229</b>	<b>89</b>	<b>27</b>	<b>30</b>	<b>35</b>	<b>170</b>	<b>95</b>
2 5/8	UCPX14-210	3 1/2	13	9 1/32	3 1/2	1 1/16	1 3/16	1 3/8	6 11/16	3 3/4
2 11/16	UCPX14-211									
2 3/4	UCPX14-212									
<b>75</b>	<b>UCPX15</b>	<b>88.9</b>	<b>330</b>	<b>229</b>	<b>89</b>	<b>27</b>	<b>30</b>	<b>35</b>	<b>175</b>	<b>95</b>
2 13/16	UCPX15-213	3 1/2	13	9 1/32	3 1/2	1 1/16	1 3/16	1 3/8	6 7/8	3 3/4
2 7/8	UCPX15-214									
2 15/16	UCPX15-215									
3	UCPX15-300									
<b>80</b>	<b>UCPX16</b>	<b>101.6</b>	<b>381</b>	<b>283</b>	<b>102</b>	<b>27</b>	<b>30</b>	<b>40</b>	<b>194</b>	<b>110</b>
3 1/16	UCPX16-301	4	15	11 5/32	4 1/32	1 1/16	1 3/16	1 9/16	7 5/8	4 11/32
3 1/8	UCPX16-302									
3 3/16	UCPX16-303									
3 1/4	UCPX16-304									
<b>85</b>	<b>UCPX17</b>	<b>101.6</b>	<b>381</b>	<b>283</b>	<b>102</b>	<b>27</b>	<b>30</b>	<b>40</b>	<b>200</b>	<b>110</b>
3 5/16	UCPX17-305	4	15	11 5/32	4 1/32	1 1/16	1 3/16	1 9/16	7 7/8	4 11/32
3 7/16	UCPX17-307									
<b>90</b>	<b>UCPX18</b>	<b>101.6</b>	<b>381</b>	<b>283</b>	<b>111</b>	<b>27</b>	<b>30</b>	<b>40</b>	<b>206</b>	<b>110</b>
3 7/16	UCPX18-307	4	15	11 5/32	4 3/8	1 1/16	1 3/16	1 9/16	8 1/8	4 11/32
3 1/2	UCPX18-308									
<b>100</b>	<b>UCPX20</b>	<b>127</b>	<b>432</b>	<b>337</b>	<b>121</b>	<b>33</b>	<b>36</b>	<b>45</b>	<b>244</b>	<b>125</b>
3 13/16	UCPX20-313	5	17	13 9/32	4 3/4	1 5/16	1 13/32	1 25/32	9 19/32	4 29/32
3 7/8	UCPX20-314									
3 15/16	UCPX20-315									
4	UCPX20-400									

B	S	Bolt Size	Bearing Number	Housing Number	Mass
					kg/lbs
<b>65.1</b>	<b>25.4</b>	<b>M20</b>	<b>UCX12</b>	<b>PX12</b>	<b>7.3</b>
2.5630	1.000	3/4	UCX12-206	PX12	16.0
			UCX12-207	PX12	
<b>74.6</b>	<b>30.2</b>	<b>M20</b>	<b>UCX13</b>	<b>PX13</b>	<b>7.6</b>
2.9370	1.189	3/4	UCX13-208	PX13	17
			UCX13-209	PX13	
<b>77.8</b>	<b>33.3</b>	<b>M22</b>	<b>UCX14</b>	<b>PX14</b>	<b>9.9</b>
3.0630	1.311	7/8	UCX14-210	PX14	22
			UCX14-211	PX14	
			UCX14-212	PX14	
<b>82.6</b>	<b>33.3</b>	<b>M22</b>	<b>UCX15</b>	<b>PX15</b>	<b>11</b>
3.2520	1.311	7/8	UCX15-213	PX15	24
			UCX15-214	PX15	
			UCX15-215	PX15	
			UCX15-300	PX15	
<b>85.7</b>	<b>34.1</b>	<b>M22</b>	<b>UCX16</b>	<b>PX16</b>	<b>15</b>
3.3740	1.343	7/8	UCX16-301	PX16	33
			UCX16-302	PX16	
			UCX16-303	PX16	
			UCX16-304	PX16	
<b>96</b>	<b>39.7</b>	<b>M22</b>	<b>UCX17</b>	<b>PX17</b>	<b>16</b>
3.7795	1.563	7/8	UCX17-305	PX17	35
			UCX17-307	PX17	
<b>104</b>	<b>42.9</b>	<b>M22</b>	<b>UCX18</b>	<b>PX18</b>	<b>17</b>
4.0945	1.689	7/8	UCX18-307	PX18	37
			UCX18-308	PX18	
<b>117.5</b>	<b>49.2</b>	<b>M27</b>	<b>UCX20</b>	<b>PX20</b>	<b>30</b>
4.6260	1.937	1	UCX20-313	PX20	66
			UCX20-314	PX20	
			UCX20-315	PX20	
			UCX20-400	PX20	



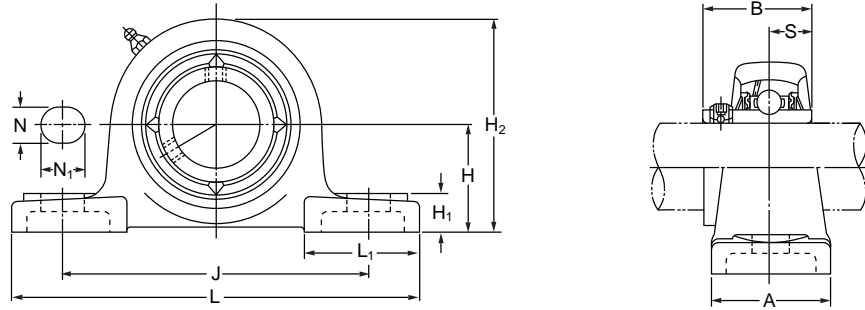
Shaft Dia. mm inch	Unit Number	Basic Dimensions								
		H	L	J	A	N	N <sub>1</sub>	H <sub>1</sub>	H <sub>2</sub>	L <sub>1</sub>
<b>25</b> 13/16 7/8 15/16 1	<b>UCP305</b> UCP305-013 UCP305-014 UCP305-015 UCP305-100	<b>45</b> 1 49/64	<b>175</b> 6 7/8	<b>132</b> 5 3/16	<b>45</b> 1 25/32	<b>17</b> 21/32	<b>20</b> 25/32	<b>15</b> 19/32	<b>85</b> 3 11/32	<b>54</b> 2 1/8
<b>30</b> 1 1/16 1 1/8 1 3/16	<b>UCP306</b> UCP306-101 UCP306-102 UCP306-103	<b>50</b> 1 31/32	<b>180</b> 7 3/32	<b>140</b> 5 1/2	<b>50</b> 1 31/32	<b>17</b> 21/32	<b>20</b> 25/32	<b>18</b> 23/32	<b>95</b> 3 3/4	<b>54</b> 2 1/8
<b>35</b> 1 1/4 1 5/16 1 3/8 1 7/16	<b>UCP307</b> UCP307-104 UCP307-105 UCP307-106 UCP307-107	<b>56</b> 2 13/64	<b>210</b> 8 9/32	<b>160</b> 6 5/16	<b>56</b> 2 7/32	<b>17</b> 21/32	<b>25</b> 31/32	<b>20</b> 25/32	<b>106</b> 4 3/16	<b>60</b> 2 3/8
<b>40</b> 1 1/2 1 9/16	<b>UCP308</b> UCP308-108 UCP308-109	<b>60</b> 2 23/64	<b>220</b> 8 21/32	<b>170</b> 6 11/16	<b>60</b> 2 3/8	<b>17</b> 21/32	<b>27</b> 1 1/16	<b>22</b> 7/8	<b>116</b> 4 9/16	<b>60</b> 2 3/8
<b>45</b> 1 5/8 1 11/16 1 3/4	<b>UCP309</b> UCP309-110 UCP309-111 UCP309-112	<b>67</b> 2 41/64	<b>245</b> 9 21/32	<b>190</b> 7 15/32	<b>67</b> 2 5/8	<b>20</b> 25/32	<b>30</b> 1 3/16	<b>24</b> 15/16	<b>129</b> 5 3/32	<b>65</b> 2 9/16
<b>50</b> 1 13/16 1 7/8 1 15/16	<b>UCP310</b> UCP310-113 UCP310-114 UCP310-115	<b>75</b> 2 61/64	<b>275</b> 10 13/16	<b>212</b> 8 11/32	<b>75</b> 2 15/16	<b>20</b> 25/32	<b>35</b> 1 3/8	<b>27</b> 1 1/16	<b>143</b> 5 5/8	<b>75</b> 2 15/16
<b>55</b> 2 2 1/16 2 1/8 2 3/16	<b>UCP311</b> UCP311-200 UCP311-201 UCP311-202 UCP311-203	<b>80</b> 3 5/32	<b>310</b> 12 7/32	<b>236</b> 9 9/32	<b>80</b> 3 5/32	<b>20</b> 25/32	<b>38</b> 1 1/2	<b>30</b> 1 3/16	<b>154</b> 6 1/16	<b>85</b> 3 11/32

B	S	Bolt Size mm inch	Bearing Number	Housing Number	Mass
					UCP kg/lbs
<b>38</b> 1.4961	<b>15</b> 0.591	<b>M14</b> 1/2	<b>UC305</b> UC305-013 UC305-014 UC305-015 UC305-100	<b>P305</b> P305 P305 P305 P305	<b>1.4</b> 3.1
<b>43</b> 1.6929	<b>17</b> 0.669	<b>M14</b> 1/2	<b>UC306</b> UC306-101 UC306-102 UC306-103	<b>P306</b> P306 P306 P306	<b>1.8</b> 4
<b>48</b> 1.8898	<b>19</b> 0.748	<b>M14</b> 1/2	<b>UC307</b> UC307-104 UC307-105 UC307-106 UC307-107	<b>P307</b> P307 P307 P307 P307	<b>2.8</b> 6.2
<b>52</b> 2.0472	<b>19</b> 0.748	<b>M14</b> 1/2	<b>UC308</b> UC308-108 UC308-109	<b>P308</b> P308 P308	<b>3.0</b> 6.6
<b>57</b> 2.2441	<b>22</b> 0.866	<b>M16</b> 5/8	<b>UC309</b> UC309-110 UC309-111 UC309-112	<b>P309</b> P309 P309 P309	<b>4.1</b> 9.0
<b>61</b> 2.4016	<b>22</b> 0.866	<b>M16</b> 5/8	<b>UC310</b> UC310-113 UC310-114 UC310-115	<b>P310</b> P310 P310 P310	<b>5.8</b> 13
<b>66</b> 2.5984	<b>25</b> 0.984	<b>M16</b> 5/8	<b>UC311</b> UC311-200 UC311-201 UC311-202 UC311-203	<b>P311</b> P311 P311 P311 P311	<b>7.4</b> 16



Shaft Dia. mm inch	Unit Number	Basic Dimensions								
		H	L	J	A	N	N <sub>1</sub>	H <sub>1</sub>	H <sub>2</sub>	L <sub>1</sub>
<b>60</b> 2 1/4 2 5/16 2 3/8 2 7/16	<b>UCP312</b> UCP312-204 UCP312-205 UCP312-206 UCP312-207	<b>85</b> 3 11/32	<b>330</b> 13	<b>250</b> 9 27/32	<b>85</b> 3 11/32	<b>25</b> 31/32	<b>38</b> 1 1/2	<b>32</b> 1 1/4	<b>165</b> 6 1/2	<b>95</b> 3 3/4
<b>65</b> 2 1/2 2 9/16	<b>UCP313</b> UCP313-208 UCP313-209	<b>90</b> 3 35/64	<b>340</b> 13 3/8	<b>260</b> 10 1/4	<b>90</b> 3 17/32	<b>25</b> 31/32	<b>38</b> 1 1/2	<b>33</b> 1 5/16	<b>176</b> 6 15/16	<b>105</b> 4 1/8
<b>70</b> 2 5/8 2 11/16 2 3/4	<b>UCP314</b> UCP314-210 UCP314-211 UCP314-212	<b>95</b> 3 47/64	<b>360</b> 14 3/16	<b>280</b> 11 1/32	<b>90</b> 3 17/32	<b>27</b> 1 1/16	<b>40</b> 1 9/16	<b>35</b> 1 3/8	<b>187</b> 7 3/8	<b>105</b> 4 1/8
<b>75</b> 2 13/16 2 7/8 2 15/16 3	<b>UCP315</b> UCP315-213 UCP315-214 UCP315-215 UCP315-300	<b>100</b> 3 15/16	<b>380</b> 14 31/32	<b>290</b> 11 13/32	<b>100</b> 3 15/16	<b>27</b> 1 1/16	<b>40</b> 1 9/16	<b>35</b> 1 3/8	<b>198</b> 7 25/32	<b>110</b> 4 11/32
<b>80</b> 3 1/16 3 1/8 3 3/16	<b>UCP316</b> UCP316-301 UCP316-302 UCP316-303	<b>106</b> 4 11/64	<b>400</b> 15 3/4	<b>300</b> 11 13/16	<b>110</b> 4 11/32	<b>27</b> 1 1/16	<b>40</b> 1 9/16	<b>40</b> 1 9/16	<b>210</b> 8 9/32	<b>110</b> 4 11/32
<b>85</b> 3 1/4 3 5/16 3 7/16	<b>UCP317</b> UCP317-304 UCP317-305 UCP317-307	<b>112</b> 4 13/32	<b>420</b> 16 17/32	<b>320</b> 12 19/32	<b>110</b> 4 11/32	<b>33</b> 1 5/16	<b>45</b> 1 25/32	<b>40</b> 1 9/16	<b>220</b> 8 21/32	<b>120</b> 4 23/32
<b>90</b> 3 7/16 3 1/2	<b>UCP318</b> UCP318-304 UCP318-308	<b>118</b> 4 41/64	<b>430</b> 16 15/16	<b>330</b> 13	<b>110</b> 4 11/32	<b>33</b> 1 5/16	<b>45</b> 1 25/32	<b>45</b> 1 25/32	<b>235</b> 9 1/4	<b>120</b> 4 23/32
<b>95</b> 3 5/8 3 11/16 3 3/4	<b>UCP319</b> UCP319-310 UCP319-311 UCP319-312	<b>125</b> 4 59/64	<b>470</b> 18 1/2	<b>360</b> 14 3/16	<b>120</b> 4 23/32	<b>36</b> 1 13/32	<b>50</b> 1 31/32	<b>45</b> 1 25/32	<b>250</b> 9 27/32	<b>125</b> 4 29/32

B	S	Bolt Size mm inch	Bearing Number	Housing Number	Mass
					UCP kg/lbs
<b>71</b> 2.7953	<b>26</b> 1.024	<b>M20</b> 3/4	<b>UC312</b> UC312-204 UC312-205 UC312-206 UC312-207	<b>P312</b> P312 P312 P312	<b>9.4</b> 21
<b>75</b> 2.9528	<b>30</b> 1.181	<b>M20</b> 3/4	<b>UC313</b> UC313-208 UC313-209	<b>P313</b> P313 P313	<b>10</b> 22
<b>78</b> 3.0709	<b>33</b> 1.299	<b>M22</b> 7/8	<b>UC314</b> UC314-210 UC314-211 UC314-212	<b>P314</b> P314 P314	<b>12</b> 26
<b>82</b> 3.2283	<b>32</b> 1.260	<b>M22</b> 7/8	<b>UC315</b> UC315-213 UC315-214 UC315-215 UC315-300	<b>P315</b> P315 P315 P315	<b>14</b> 31
<b>86</b> 3.3858	<b>34</b> 1.339	<b>M22</b> 7/8	<b>UC316</b> UC316-301 UC316-302 UC316-303	<b>P316</b> P316 P316	<b>18</b> 40
<b>96</b> 3.7795	<b>40</b> 1.575	<b>M27</b> 1	<b>UC317</b> UC317-304 UC317-305 UC317-307	<b>P317</b> P317 P317	<b>20</b> 44
<b>96</b> 3.7795	<b>40</b> 1.575	<b>M27</b> 1	<b>UC318</b> UC318-307 UC318-308	<b>P318</b> P318 P318	<b>24</b> 53
<b>103</b> 4.0551	<b>41</b> 1.614	<b>M30</b> 1 1/8	<b>UC319</b> UC319-310 UC319-311 UC319-312	<b>P319</b> P319 P319	<b>29</b> 64

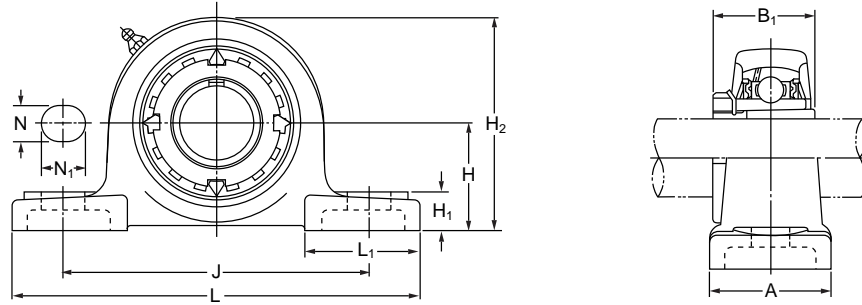


Shaft Dia.	Unit Number	Basic Dimensions								
		H	L	J	A	N	N <sub>1</sub>	H <sub>1</sub>	H <sub>2</sub>	L <sub>1</sub>
100	<b>UCP320</b>	140	490	380	120	36	50	50	275	130
3 13/16	UCP320-313									
3 7/8	UCP320-314									
3 15/16	UCP320-315	5 33/64	19 9/32	14 31/32	4 23/32	1 13/32	1 31/32	1 31/32	10 13/16	5 1/8
4	UCP320-400									
105	<b>UCP321</b>	140	490	380	120	360	50	50	280	130
110	<b>UCP322</b>	150	520	400	140	40	55	55	300	135
120	<b>UCP324</b>	160	570	450	140	40	55	65	320	140
130	<b>UCP326</b>	180	600	480	140	40	55	75	355	140
140	<b>UCP328</b>	200	620	500	140	40	55	75	390	140

B	S	Bolt Size	Bearing Number	Housing Number	Mass
		mm inch			UCP kg/lbs
108	42	<b>M30</b>	<b>UC320</b>	<b>P320</b>	<b>35</b>
			UC320-313	P320	
			UC320-314	P320	
4.2520	1.654	1 1/8	UC320-315	P320	77
			UC320-400	P320	
112	44	<b>M30</b>	<b>UC321</b>	<b>P321</b>	<b>35</b>
117	46	<b>M33</b>	<b>UC322</b>	<b>P322</b>	<b>45</b>
126	51	<b>M33</b>	<b>UC324</b>	<b>P324</b>	<b>55</b>
135	54	<b>M33</b>	<b>UC326</b>	<b>P326</b>	<b>72</b>
145	59	<b>M33</b>	<b>UC328</b>	<b>P328</b>	<b>89</b>



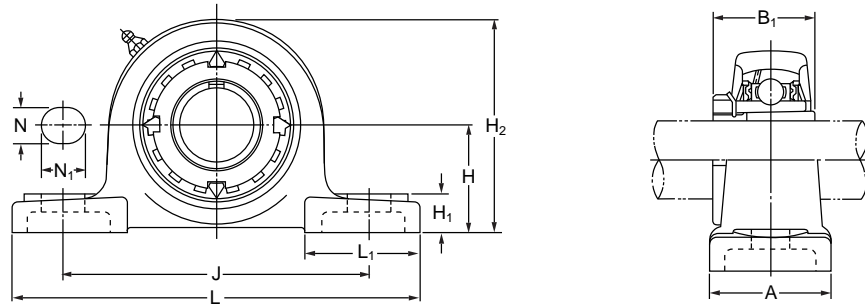
■ Taper Bored with Adapter Sleeve - UKP 200 Series



Shaft Dia. mm inch	Unit Number	Basic Dimensions							
		H	L	J	A	N	N <sub>1</sub>	H <sub>1</sub>	H <sub>2</sub>
<b>20</b> 3/4	<b>UKP205 ; H2305</b> UKP205 ; HE2305	<b>36.5</b> 1 7/16	<b>140</b> 5 1/2	<b>105</b> 4 1/8	<b>38</b> 1 1/2	<b>13</b> 1/2	<b>16</b> 5/8	<b>15</b> 19/32	<b>71</b> 2 25/32
<b>25</b> 7/8 1	<b>UKP206 ; H2306</b> UKP206 ; HS2306 UKP206 ; HE2306	<b>42.9</b> 1 11/16	<b>160</b> 6 1/2	<b>121</b> 4 3/4	<b>48</b> 1 7/8	<b>17</b> 21/32	<b>20</b> 25/32	<b>17</b> 21/32	<b>83</b> 3 9/32
<b>30</b> 1 1/8	<b>UKP207 ; H2307</b> UKP207 ; HS2307	<b>47.6</b> 1 7/8	<b>167</b> 6 9/16	<b>127</b> 5	<b>48</b> 1 7/8	<b>17</b> 21/32	<b>20</b> 25/32	<b>18</b> 23/32	<b>93</b> 3 21/32
<b>35</b> 1 1/4 1 3/8	<b>UKP208 ; H2308</b> UKP208 ; HE2308 UKP208 ; HS2308	<b>49.2</b> 1 15/16	<b>184</b> 7 1/4	<b>137</b> 5 13/32	<b>54</b> 2 1/8	<b>17</b> 21/32	<b>20</b> 25/32	<b>18</b> 23/32	<b>98</b> 3 27/32
<b>40</b> 1 7/16 1 1/2 1 5/8	<b>UKP209 ; H2309</b> UKP209 ; HA2309 UKP209 ; HE2309 UKP209 ; HS2309	<b>54</b> 2 1/8	<b>190</b> 7 15/32	<b>146</b> 5 3/4	<b>54</b> 2 1/8	<b>17</b> 21/32	<b>20</b> 25/32	<b>20</b> 25/32	<b>106</b> 4 3/16
<b>45</b> 1 5/8 1 11/16 1 3/4	<b>UKP210 ; H2310</b> UKP210 ; HS2310 UKP210 ; HA2310 UKP210 ; HE2310	<b>57.2</b> 2 1/4	<b>206</b> 8 1/8	<b>159</b> 6 1/4	<b>58</b> 2 3/8	<b>20</b> 25/32	<b>23</b> 29/32	<b>21</b> 13/16	<b>114</b> 4 1/2
<b>50</b> 1 7/8 1 15/16 2	<b>UKP211 ; H2311</b> UKP211 ; HS2311 UKP211 ; HA2311 UKP211 ; HE2311	<b>63.5</b> 2 1/2	<b>219</b> 8 5/8	<b>171</b> 6 23/32	<b>58</b> 2 3/8	<b>20</b> 25/32	<b>23</b> 29/32	<b>23</b> 29/32	<b>126</b> 4 31/32
<b>55</b> 2 1/8	<b>UKP212 ; H2312</b> UKP212 ; HS2312	<b>69.8</b> 2 3/4	<b>241</b> 9 1/2	<b>184</b> 7 1/4	<b>70</b> 2 3/4	<b>20</b> 25/32	<b>23</b> 29/32	<b>25</b> 31/32	<b>138</b> 5 7/16
<b>60</b> 2 3/16 2 1/4 2 3/8	<b>UKP213 ; H2313</b> UKP213 ; HA2313 UKP213 ; HE2313 UKP213 ; HS2313	<b>76.2</b> 3	<b>263</b> 10 7/16	<b>203</b> 8	<b>70</b> 2 3/4	<b>25</b> 31/32	<b>28</b> 1 3/32	<b>27</b> 1 1/16	<b>151</b> 5 15/16
<b>65</b> 2 7/16 2 1/2	<b>UKP215 ; H2315</b> UKP215 ; HA2315 UKP215 ; HE2315	<b>82.6</b> 3 1/4	<b>275</b> 10 13/16	<b>217</b> 8 17/32	<b>73</b> 2 29/32	<b>25</b> 31/32	<b>28</b> 1 3/32	<b>28</b> 1 3/32	<b>163</b> 6 13/32

B <sub>1</sub>	L <sub>1</sub>	Bolt Size mm inch	Bearing Number	Housing Number	Mass
					UKP kg/lbs
<b>35</b> 1.378	<b>42</b> 1 21/32	<b>M10</b> 3/8	<b>UK205 ; H2305</b> UK205 ; HE2305	<b>P205</b>	<b>0.9</b> 2.0
<b>38</b> 1.496	<b>54</b> 2 1/8	<b>M14</b> 1/2	<b>UK206 ; H2306</b> UK206 ; HS2306 UK206 ; HE2306	<b>P206</b> P206	<b>1.3</b> 2.9
<b>43</b> 1.693	<b>54</b> 2 1/8	<b>M14</b> 1/2	<b>UK207 ; H2307</b> UK207 ; HS2307	<b>P207</b>	<b>1.7</b> 3.7
<b>46</b> 1.811	<b>52</b> 2 1/16	<b>M14</b> 1/2	<b>UK208 ; H2308</b> UK208 ; HE2308 UK208 ; HS2308	<b>P208</b> P208	<b>2.0</b> 4.4
<b>50</b> 1.969	<b>60</b> 2 3/8	<b>M14</b> 1/2	<b>UK209 ; H2309</b> UK209 ; HA2309 UK209 ; HE2309 UK209 ; HS2309	<b>P209</b> P209	<b>2.3</b> 5.1
<b>55</b> 2.165	<b>65</b> 2 9/16	<b>M16</b> 5/8	<b>UK210 ; H2310</b> UK210 ; HS2310 UK210 ; HA2310 UK210 ; HE2310	<b>P210</b> P210	<b>2.8</b> 6.2
<b>59</b> 2.323	<b>65</b> 2 9/16	<b>M16</b> 5/8	<b>UK211 ; H2311</b> UK211 ; HS2311 UK211 ; HA2311 UK211 ; HE2311	<b>P211</b> P211	<b>3.5</b> 7.7
<b>62</b> 2.441	<b>70</b> 2 3/4	<b>M16</b> 5/8	<b>UK212 ; H2312</b> UK212 ; HS2312	<b>P212</b>	<b>4.7</b> 10
<b>65</b> 2.559	<b>77</b> 3 1/32	<b>M20</b> 3/4	<b>UK213 ; H2313</b> UK213 ; HA2313 UK213 ; HE2313 UK213 ; HS2313	<b>P213</b> P213	<b>6.0</b> 13
<b>73</b> 2.874	<b>80</b> 3 5/32	<b>M20</b> 3/4	<b>UK215 ; H2315</b> UK215 ; HA2315 UK215 ; HE2315	<b>P215</b> P215	<b>7.6</b> 17

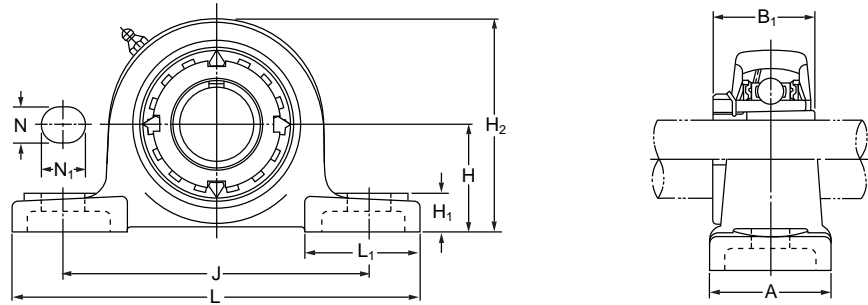
■ Taper Bored with Adapter Sleeve - UKP 200 Series



Shaft Dia.	Unit Number	Basic Dimensions							
		H	L	J	A	mm		inch	
<b>70</b>	<b>UKP216 ; H2316</b>	<b>88.9</b>	<b>292</b>	<b>232</b>	<b>77</b>	<b>25</b>	<b>28</b>	<b>30</b>	<b>175</b>
2 11/16	UKP216 ; HA2316	3 1/2	11 1/2	9 1/8	3 1/16	31/32	1 3/32	1 3/16	6 7/8
2 3/4	UKP216 ; HE2316								
<b>75</b>	<b>UKP217 ; H2317</b>	<b>95.2</b>	<b>310</b>	<b>247</b>	<b>83</b>	<b>25</b>	<b>28</b>	<b>32</b>	<b>187</b>
2 15/16	UKP217 ; HA2317	3 3/4	12 7/32	9 23/32	3 9/32	31/32	1 3/32	1 1/4	7 3/8
3	UKP217 ; HE2317								
<b>80</b>	<b>UKP218 ; H2318</b>	<b>101.6</b>	<b>327</b>	<b>262</b>	<b>87</b>	<b>27</b>	<b>30</b>	<b>33</b>	<b>200</b>
3 3/16	UKP218 ; HA2318	4	12 7/8	10 5/16	3 15/32	1 1/16	1 3/16	1 5/16	7 7/8

B <sub>1</sub>	L <sub>1</sub>	Bolt Size	Bearing Number	Housing Number	Mass
		mm			UKP
<b>78</b>	<b>85</b>	<b>M20</b>	<b>UK216 ; H2316</b>	<b>P216</b>	<b>9.4</b>
3.071	3 11/32	3/4	UK216 ; HA2316	P216	21
			UK216 ; HE2316	P216	
<b>82</b>	<b>85</b>	<b>M20</b>	<b>UK217 ; H2317</b>	<b>P217</b>	<b>12</b>
3.228	3 11/32	3/4	UK217 ; HA2317	P217	26
			UK217 ; HE2317	P217	
<b>86</b>	<b>90</b>	<b>M22</b>	<b>UK218 ; H2318</b>	<b>P218</b>	<b>14</b>
3.386	3 17/32	7/8	UK218 ; HA2318	P218	31

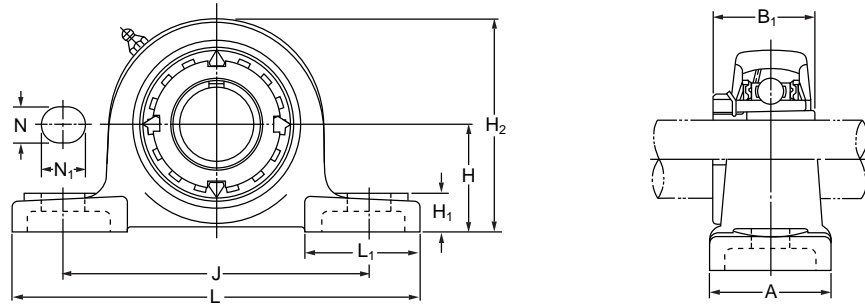
■ Taper Bored with Adapter Sleeve - UKPX Series



Shaft Dia.	Unit Number	Basic Dimensions							
		H	L	J	A	N	N <sub>1</sub>	H <sub>1</sub>	H <sub>2</sub>
mm inch		mm inch							
<b>20</b> 3/4	<b>UKPX05 ; H2305</b> UKPX05 ; HE2305	<b>44.4</b> 1 3/4	<b>159</b> 6 1/4	<b>119</b> 4 11/16	<b>51</b> 2	<b>17</b> 21/32	<b>20</b> 25/32	<b>18</b> 23/32	<b>85</b> 3 11/32
<b>25</b> 7/8 1	<b>UKPX06 ; H2306</b> UKPX06 ; HS2306 UKPX06 ; HE2306	<b>47.6</b> 1 7/8	<b>175</b> 6 7/8	<b>127</b> 5	<b>57</b> 2 1/4	<b>17</b> 21/32	<b>20</b> 25/32	<b>20</b> 25/32	<b>93</b> 3 21/32
<b>30</b> 1 1/8	<b>UKPX07 ; H2307</b> UKPX07 ; HS2307	<b>54</b> 2 1/8	<b>203</b> 8	<b>144</b> 5 21/32	<b>57</b> 2 1/4	<b>17</b> 21/32	<b>20</b> 25/32	<b>21</b> 13/16	<b>105</b> 4 1/8
<b>35</b> 1 1/4 1 3/8	<b>UKPX08 ; H2308</b> UKPX08 ; HE2308 UKPX08 ; HS2308	<b>58.7</b> 2 5/16	<b>222</b> 8 3/4	<b>156</b> 6 5/32	<b>67</b> 2 5/8	<b>20</b> 25/32	<b>23</b> 29/32	<b>26</b> 1 1/32	<b>111</b> 4 3/8
<b>40</b> 1 7/16 1 1/2 1 5/8	<b>UKPX09 ; H2309</b> UKPX09 ; HA2309 UKPX09 ; HE2309 UKPX09 ; HS2309	<b>58.7</b> 2 5/16	<b>222</b> 8 3/4	<b>156</b> 6 5/32	<b>67</b> 2 5/8	<b>20</b> 25/32	<b>23</b> 29/32	<b>26</b> 1 1/32	<b>116</b> 4 9/16
<b>45</b> 1 5/8 1 11/16 1 3/4	<b>UKPX10 ; H2310</b> UKPX10 ; HS2310 UKPX10 ; HA2310 UKPX10 ; HE2310	<b>63.5</b> 2 1/2	<b>241</b> 9 1/2	<b>171</b> 6 23/32	<b>73</b> 2 7/8	<b>20</b> 25/32	<b>23</b> 29/32	<b>27</b> 1 1/16	<b>126</b> 4 31/32
<b>50</b> 1 7/8 1 15/16 2	<b>UKPX11 ; H2311</b> UKPX11 ; HS2311 UKPX11 ; HA2311 UKPX11 ; HE2311	<b>69.8</b> 2 3/4	<b>260</b> 10 1/4	<b>184</b> 7 1/4	<b>79</b> 3 1/8	<b>25</b> 31/32	<b>28</b> 1 3/32	<b>30</b> 1 3/16	<b>137</b> 5 13/32
<b>55</b> 2 1/8	<b>UKPX12 ; H2312</b> UKPX12 ; HS2312	<b>76.2</b> 3	<b>286</b> 11 1/4	<b>203</b> 8	<b>83</b> 3 9/32	<b>25</b> 31/32	<b>28</b> 1 3/32	<b>33</b> 1 5/16	<b>151</b> 5 15/16
<b>60</b> 2 3/16 2 1/4 2 3/8	<b>UKPX13 ; H2313</b> UKPX13 ; HA2313 UKPX13 ; HE2313 UKPX13 ; HS2313	<b>76.2</b> 3	<b>286</b> 11 1/4	<b>203</b> 8	<b>83</b> 3 9/32	<b>25</b> 31/32	<b>28</b> 1 3/32	<b>33</b> 1 5/16	<b>154</b> 6 1/16
<b>65</b> 2 7/16 2 1/2	<b>UKPX15 ; H2315</b> UKPX15 ; HA2315 UKPX15 ; HE2315	<b>88.9</b> 3 1/2	<b>330</b> 13	<b>229</b> 9 1/32	<b>89</b> 3 1/2	<b>27</b> 1 1/16	<b>30</b> 1 3/16	<b>35</b> 1 3/8	<b>175</b> 6 7/8

B <sub>1</sub>	L <sub>1</sub>	Bolt Size	Bearing Number	Housing Number	Mass
					kg/lbs
mm inch	mm inch	mm inch			
<b>35</b> 1.378	<b>50</b> 1 31/32	<b>M14</b> 1/2	<b>UKX05 ; H2305</b> UKX05 ; HE2305	<b>PX05</b> PX05	<b>1.5</b> 3.3
<b>38</b> 1.496	<b>54</b> 2 1/8	<b>M14</b> 1/2	<b>UKX06 ; H2306</b> UKX06 ; HS2306 UKX06 ; HE2306	<b>PX06</b> PX06 PX06	<b>1.8</b> 4.0
<b>43</b> 1.693	<b>60</b> 2 3/8	<b>M14</b> 1/2	<b>UKX07 ; H2307</b> UKX07 ; HS2307	<b>PX07</b> PX07	<b>2.5</b> 5.5
<b>46</b> 1.811	<b>65</b> 2 9/16	<b>M16</b> 5/8	<b>UKX08 ; H2308</b> UKX08 ; HE2308 UKX08 ; HS2308	<b>PX08</b> PX08 PX08	<b>3.2</b> 7.1
<b>50</b> 1.969	<b>65</b> 2 9/16	<b>M16</b> 5/8	<b>UKX09 ; H2309</b> UKX09 ; HA2309 UKX09 ; HE2309 UKX09 ; HS2309	<b>PX09</b> PX09 PX09 PX09	<b>3.3</b> 7.3
<b>55</b> 2.165	<b>70</b> 2 3/4	<b>M16</b> 5/8	<b>UKX10 ; H2310</b> UKX10 ; HS2310 UKX10 ; HA2310 UKX10 ; HE2310	<b>PX10</b> PX10 PX10 PX10	<b>4.2</b> 9.3
<b>59</b> 2.323	<b>75</b> 2 15/16	<b>M20</b> 3/4	<b>UKX11 ; H2311</b> UKX11 ; HS2311 UKX11 ; HA2311 UKX11 ; HE2311	<b>PX11</b> PX11 PX11 PX11	<b>5.4</b> 12
<b>62</b> 2.441	<b>80</b> 3 5/32	<b>M20</b> 3/4	<b>UKX12 ; H2312</b> UKX12 ; HS2312	<b>PX12</b> PX12	<b>7.1</b> 16
<b>65</b> 2.559	<b>80</b> 3 5/32	<b>M20</b> 3/4	<b>UKX13 ; H2313</b> UKX13 ; HA2313 UKX13 ; HE2313 UKX13 ; HS2313	<b>PX13</b> PX13 PX13 PX13	<b>7.3</b> 16
<b>73</b> 2.874	<b>95</b> 3 3/4	<b>M22</b> 7/8	<b>UKX15 ; H2315</b> UKX15 ; HA2315 UKX15 ; HE2315	<b>PX15</b> PX15 PX15	<b>11</b> 24

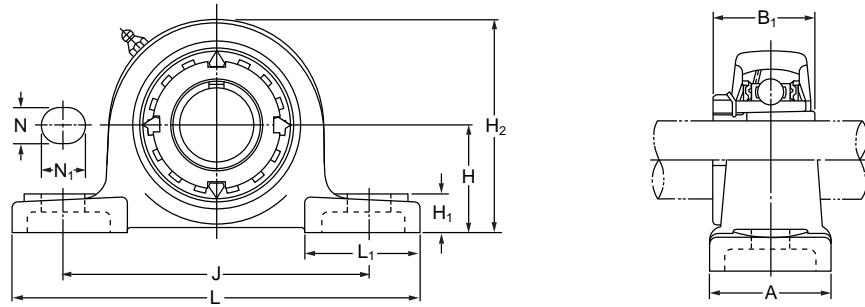
■ Taper Bored with Adapter Sleeve - UKPX Series



Shaft Dia.	Unit Number	Basic Dimensions							
		H	L	J	A	mm		inch	
<b>70</b>	<b>UKPX16 ; H2316</b>	<b>101.6</b>	<b>381</b>	<b>283</b>	<b>102</b>	<b>27</b>	<b>30</b>	<b>40</b>	<b>194</b>
2 11/16	UKPX16 ; HA2316	4	15	11 5/32	4 1/32	1 1/16	1 3/16	1 9/16	7 5/8
2 3/4	UKPX16 ; HE2316								
<b>75</b>	<b>UKPX17 ; H2317</b>	<b>101.6</b>	<b>381</b>	<b>283</b>	<b>102</b>	<b>27</b>	<b>30</b>	<b>40</b>	<b>200</b>
2 15/16	UKPX17 ; HA2317	4	15	11 5/32	4 1/32	1 1/16	1 3/16	1 9/16	7 7/8
3	UKPX17 ; HE2317								
<b>80</b>	<b>UKPX18 ; H2318</b>	<b>101.6</b>	<b>381</b>	<b>283</b>	<b>111</b>	<b>27</b>	<b>30</b>	<b>40</b>	<b>206</b>
3 3/16	UKPX18 ; HA2318	4	15	11 5/32	4 3/8	1 1/16	1 3/16	1 9/16	8 1/8
<b>90</b>	<b>UKPX20 ; H2320</b>	<b>127</b>	<b>432</b>	<b>337</b>	<b>121</b>	<b>33</b>	<b>36</b>	<b>45</b>	<b>244</b>

B <sub>1</sub>	L <sub>1</sub>	Bolt Size	Bearing Number	Housing Number	Mass
		mm inch			kg/lbs
<b>78</b>	<b>110</b>	<b>M22</b>	<b>UKX16 ; H2316</b>	<b>PX16</b>	<b>16</b>
3.071	4 11/32	7/8	UKX16 ; HA2316 UKX16 ; HE2316	PX16 PX16	35
<b>82</b>	<b>110</b>	<b>M22</b>	<b>UKX17 ; H2317</b>	<b>PX17</b>	<b>16</b>
3.228	4 11/32	7/8	UKX17 ; HA2317 UKX17 ; HE2317	PX17 PX17	35
<b>86</b>	<b>110</b>	<b>M22</b>	<b>UKX18 ; H2318</b>	<b>PX18</b>	<b>17</b>
3.386	4 11/32	7/8	UKX18 ; HA2318	PX18	37
<b>97</b>	<b>125</b>	<b>M27</b>	<b>UKX20 ; H2320</b>	<b>PX20</b>	<b>29</b>

■ Taper Bored with Adapter Sleeve - UKP 300 Series

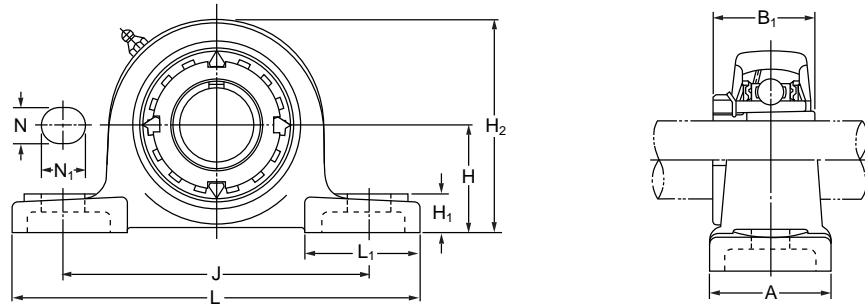


Shaft Dia. mm inch	Unit Number	Basic Dimensions							
		H	L	J	A	N	N <sub>1</sub>	H <sub>1</sub>	H <sub>2</sub>
<b>20</b> 3/4	<b>UKP305 ; H2305</b> UKP305 ; HE2305	<b>45</b> 1 49/64	<b>175</b> 6 7/8	<b>132</b> 5 3/16	<b>45</b> 1 25/32	<b>17</b> 21/32	<b>20</b> 25/32	<b>15</b> 19/32	<b>85</b> 3 11/32
<b>25</b> 7/8 1	<b>UKP306 ; H2306</b> UKP306 ; HS2306 UKP306 ; HE2306	<b>50</b> 1 31/32	<b>180</b> 7 3/32	<b>140</b> 5 1/2	<b>50</b> 1 31/32	<b>17</b> 21/32	<b>20</b> 25/32	<b>18</b> 23/32	<b>95</b> 3 3/4
<b>30</b> 1 1/8	<b>UKP307 ; H2307</b> UKP307 ; HS2307	<b>56</b> 2 13/64	<b>210</b> 8 9/32	<b>160</b> 6 5/16	<b>56</b> 2 7/32	<b>17</b> 21/32	<b>25</b> 31/32	<b>20</b> 25/32	<b>106</b> 4 3/16
<b>35</b> 1 1/4 1 3/8	<b>UKP308 ; H2308</b> UKP308 ; HE2308 UKP308 ; HS2308	<b>60</b> 2 23/64	<b>220</b> 8 21/32	<b>170</b> 6 11/16	<b>60</b> 2 3/8	<b>17</b> 21/32	<b>27</b> 1 1/16	<b>22</b> 7/8	<b>116</b> 4 9/16
<b>40</b> 1 7/16 1 1/2 1 5/8	<b>UKP309 ; H2309</b> UKP309 ; HA2309 UKP309 ; HE2309 UKP309 ; HS2309	<b>67</b> 2 41/64	<b>245</b> 9 21/32	<b>190</b> 7 15/32	<b>67</b> 2 5/8	<b>20</b> 25/32	<b>30</b> 1 3/16	<b>24</b> 15/16	<b>129</b> 5 3/32
<b>45</b> 1 5/8 1 11/16 1 3/4	<b>UKP310 ; H2310</b> UKP310 ; HS2310 UKP310 ; HA2310 UKP310 ; HE2310	<b>75</b> 2 61/64	<b>275</b> 10 13/16	<b>212</b> 8 11/32	<b>75</b> 2 15/16	<b>20</b> 25/32	<b>35</b> 1 3/8	<b>27</b> 1 1/16	<b>143</b> 5 5/8
<b>50</b> 1 7/8 1 15/16 2	<b>UKP311 ; H2311</b> UKP311 ; HS2311 UKP311 ; HA2311 UKP311 ; HE2311	<b>80</b> 3 5/32	<b>310</b> 12 7/32	<b>236</b> 9 9/32	<b>80</b> 3 5/32	<b>20</b> 25/32	<b>38</b> 1 1/2	<b>30</b> 1 3/16	<b>154</b> 6 1/16
<b>55</b> 2 1/8	<b>UKP312 ; H2312</b> UKP312 ; HS2312	<b>85</b> 3 11/32	<b>330</b> 13	<b>250</b> 9 27/32	<b>85</b> 3 11/32	<b>25</b> 31/32	<b>38</b> 1 1/2	<b>32</b> 1 1/4	<b>165</b> 6 1/2
<b>60</b> 2 3/16 2 1/4 2 3/8	<b>UKP313 ; H2313</b> UKP313 ; HA2313 UKP313 ; HE2313 UKP313 ; HS2313	<b>90</b> 3 35/64	<b>340</b> 13 3/8	<b>260</b> 10 1/4	<b>90</b> 3 17/32	<b>25</b> 31/32	<b>38</b> 1 1/2	<b>33</b> 1 5/16	<b>176</b> 6 15/16
<b>65</b> 2 7/16 2 1/2	<b>UKP315 ; H2315</b> UKP315 ; HA2315 UKP315 ; HE2315	<b>100</b> 3 15/16	<b>380</b> 14 31/32	<b>290</b> 11 13/32	<b>100</b> 3 15/16	<b>27</b> 1 1/16	<b>40</b> 1 9/16	<b>35</b> 1 3/8	<b>198</b> 7 25/32

B <sub>1</sub>	L <sub>1</sub>	Bolt Size mm inch	Bearing Number	Housing Number	Mass
					UKP kg/lbs
<b>35</b> 1.378	<b>54</b> 2 1/8	<b>M14</b> 1/2	<b>UK305 ; H2305</b> UK305 ; HE2305	<b>P305</b>	<b>1.4</b> 3.1
<b>38</b> 1.496	<b>54</b> 2 1/8	<b>M14</b> 1/2	<b>UK306 ; H2306</b> UK306 ; HS2306 UK306 ; HE2306	<b>P306</b> P306	<b>1.8</b> 4.0
<b>43</b> 1.693	<b>60</b> 2 3/8	<b>M14</b> 1/2	<b>UK307 ; H2307</b> UK307 ; HS2307	<b>P307</b>	<b>2.9</b> 6.4
<b>46</b> 1.811	<b>60</b> 2 3/8	<b>M14</b> 1/2	<b>UK308 ; H2308</b> UK308 ; HE2308 UK308 ; HS2308	<b>P308</b> P308	<b>3.1</b> 6.8
<b>50</b> 1.969	<b>65</b> 2 9/16	<b>M16</b> 5/8	<b>UK309 ; H2309</b> UK309 ; HA2309 UK309 ; HE2309 UK309 ; HS2309	<b>P309</b> P309	<b>4.2</b> 9.3
<b>55</b> 2.165	<b>75</b> 2 15/16	<b>M16</b> 5/8	<b>UK310 ; H2310</b> UK310 ; HS2310 UK310 ; HA2310 UK310 ; HE2310	<b>P310</b> P310	<b>5.8</b> 13
<b>59</b> 2.323	<b>85</b> 3 11/32	<b>M16</b> 5/8	<b>UK311 ; H2311</b> UK311 ; HS2311 UK311 ; HA2311 UK311 ; HE2311	<b>P311</b> P311	<b>7.4</b> 16
<b>62</b> 2.441	<b>95</b> 3 3/4	<b>M20</b> 3/4	<b>UK312 ; H2312</b> UK312 ; HS2312	<b>P312</b>	<b>9.3</b> 21
<b>65</b> 2.559	<b>105</b> 4 1/8	<b>M20</b> 3/4	<b>UK313 ; H2313</b> UK313 ; HA2313 UK313 ; HE2313 UK313 ; HS2313	<b>P313</b> P313	<b>10</b> 22
<b>73</b> 2.874	<b>110</b> 4 11/32	<b>M22</b> 7/8	<b>UK315 ; H2315</b> UK315 ; HA2315 UK315 ; HE2315	<b>P315</b> P315	<b>15</b> 33



■ Taper Bored with Adapter Sleeve - UKP 300 Series

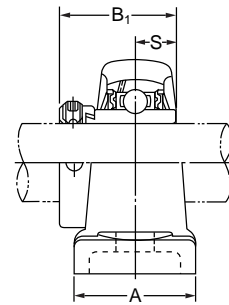
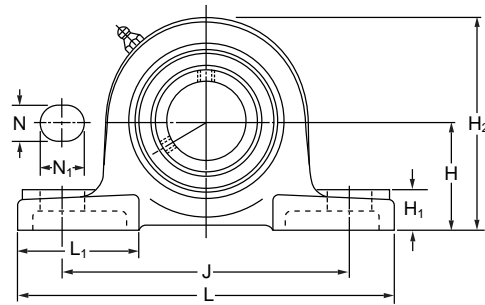


Shaft Dia.	Unit Number	Basic Dimensions							
		H	L	J	A	mm		inch	
<b>70</b>	<b>UKP316 ; H2316</b>	<b>106</b>	<b>400</b>	<b>300</b>	<b>110</b>	<b>27</b>	<b>40</b>	<b>40</b>	<b>210</b>
2 11/16	UKP316 ; HA2316	4 11/64	15 3/4	11 13/16	4 11/32	1 1/16	1 9/16	1 9/16	8 9/32
2 3/4	UKP316 ; HE2316								
<b>75</b>	<b>UKP317 ; H2317</b>	<b>112</b>	<b>420</b>	<b>320</b>	<b>110</b>	<b>33</b>	<b>45</b>	<b>40</b>	<b>220</b>
2 15/16	UKP317 ; HA2317	4 13/32	16 17/32	12 19/32	4 11/32	1 5/16	1 25/32	1 9/16	8 21/32
3	UKP317 ; HE2317								
<b>80</b>	<b>UKP318 ; H2318</b>	<b>118</b>	<b>430</b>	<b>330</b>	<b>110</b>	<b>33</b>	<b>45</b>	<b>45</b>	<b>235</b>
3 3/16	UKP318 ; HA2318	4 41/64	16 15/16	13	4 11/32	1 5/16	1 25/32	1 25/32	9 1/4
<b>85</b>	<b>UKP319 ; H2319</b>	<b>125</b>	<b>470</b>	<b>360</b>	<b>120</b>	<b>36</b>	<b>50</b>	<b>45</b>	<b>250</b>
3 1/4	UKP319 ; HE2319	4 59/64	18 1/2	14 3/16	4 23/32	1 13/32	1 31/32	1 25/32	9 27/32
<b>90</b>	<b>UKP320 ; H2320</b>	<b>140</b>	<b>490</b>	<b>380</b>	<b>120</b>	<b>36</b>	<b>50</b>	<b>50</b>	<b>275</b>
3 7/16	UKP320 ; HA2320	5 33/64	19 9/32	14 31/32	4 23/32	1 13/32	1 31/32	1 31/32	10 13/16
3 1/2	UKP320 ; HE2320								
<b>100</b>	<b>UKP322 ; H2322</b>	<b>150</b>	<b>520</b>	<b>400</b>	<b>140</b>	<b>40</b>	<b>55</b>	<b>55</b>	<b>300</b>
<b>110</b>	<b>UKP324 ; H2324</b>	<b>160</b>	<b>570</b>	<b>450</b>	<b>140</b>	<b>40</b>	<b>55</b>	<b>65</b>	<b>320</b>
<b>115</b>	<b>UKP326 ; H2326</b>	<b>180</b>	<b>600</b>	<b>480</b>	<b>140</b>	<b>40</b>	<b>55</b>	<b>75</b>	<b>355</b>
<b>125</b>	<b>UKP328 ; H2328</b>	<b>200</b>	<b>620</b>	<b>500</b>	<b>140</b>	<b>40</b>	<b>55</b>	<b>75</b>	<b>390</b>

1.06

B <sub>1</sub>	L <sub>1</sub>	Bolt Size	Bearing Number	Housing Number	Mass
		mm inch			UKP kg/lbs
<b>78</b>	<b>110</b>	<b>M22</b>	<b>UK316 ; H2316</b>	<b>P316</b>	<b>18</b>
3.071	4 11/32	7/8	UK316 ; HA2316 UK316 ; HE2316	P316 P316	40
<b>82</b>	<b>120</b>	<b>M27</b>	<b>UK317 ; H2317</b>	<b>P317</b>	<b>20</b>
3.228	4 23/32	1	UK317 ; HA2317 UK317 ; HE2317	P317 P317	44
<b>86</b>	<b>120</b>	<b>M27</b>	<b>UK318 ; H2318</b>	<b>P318</b>	<b>24</b>
3.386	4 23/32	1	UK318 ; HA2318	P318	53
<b>90</b>	<b>125</b>	<b>M30</b>	<b>UK319 ; H2319</b>	<b>P319</b>	<b>29</b>
3.543	4 29/32	1 1/8	UK319 ; HE2319	P319	64
<b>97</b>	<b>130</b>	<b>M30</b>	<b>UK320 ; H2320</b>	<b>P320</b>	<b>35</b>
3.819	5 1/8	1 1/8	UK320 ; HA2320 UK320 ; HE2320	P320 P320	77
<b>105</b>	<b>135</b>	<b>M33</b>	<b>UK322 ; H2322</b>	<b>P322</b>	<b>46</b>
<b>112</b>	<b>140</b>	<b>M33</b>	<b>UK324 ; H2324</b>	<b>P324</b>	<b>55</b>
<b>121</b>	<b>140</b>	<b>M33</b>	<b>UK326 ; H2326</b>	<b>P326</b>	<b>73</b>
<b>131</b>	<b>140</b>	<b>M33</b>	<b>UK328 ; H2328</b>	<b>P328</b>	<b>89</b>

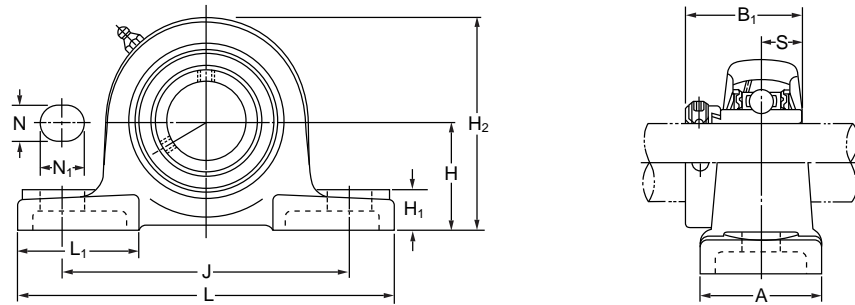
■ Eccentric Locking Collar Type - UELP 200 Series



Shaft Dia.	Unit Number	Basic Dimensions								
		H	L	J	A	N	N <sub>1</sub>	H <sub>1</sub>	H <sub>2</sub>	L <sub>1</sub>
mm inch		mm inch								
<b>20</b>	<b>UEL204</b>	<b>33</b>	<b>127</b>	<b>95</b>	<b>38</b>	<b>13</b>	<b>16</b>	<b>14</b>	<b>65</b>	<b>42</b>
3/4	UEL204-012	1 5/16	5	3 3/4	1 1/2	1/2	5/8	9/16	2 9/16	1 21/32
<b>25</b>	<b>UEL205</b>	<b>36.5</b>	<b>140</b>	<b>105</b>	<b>38</b>	<b>13</b>	<b>16</b>	<b>15</b>	<b>71</b>	<b>42</b>
13/16	UEL205-013	1 7/16	5 1/2	4 1/8	1 1/2	1/2	5/8	19/32	2 25/32	1 21/32
7/8	UEL205-014									
15/16	UEL205-015									
1	UEL205-100									
<b>30</b>	<b>UEL206</b>	<b>42.9</b>	<b>160</b>	<b>121</b>	<b>48</b>	<b>17</b>	<b>20</b>	<b>17</b>	<b>83</b>	<b>54</b>
1 1/16	UEL206-101	1 11/16	6 1/2	4 3/4	1 7/8	21/32	25/32	21/32	3 9/32	2 1/8
1 1/8	UEL206-102									
1 3/16	UEL206-103									
1 1/4	UEL206-104									
<b>35</b>	<b>UEL207</b>	<b>47.6</b>	<b>167</b>	<b>127</b>	<b>48</b>	<b>17</b>	<b>20</b>	<b>18</b>	<b>93</b>	<b>54</b>
1 1/4	UEL207-104	1 7/8	6 9/16	5.00	1 7/8	21/32	25/32	23/32	3 21/32	2 1/8
1 5/16	UEL207-105									
1 3/8	UEL207-106									
1 7/16	UEL207-107									
<b>40</b>	<b>UEL208</b>	<b>49.2</b>	<b>184</b>	<b>137</b>	<b>54</b>	<b>17</b>	<b>20</b>	<b>18</b>	<b>98</b>	<b>52</b>
1 1/2	UEL208-108	1 15/16	7 1/4	5 13/32	2 1/8	21/32	25/32	23/32	3 27/32	2 1/16
1 9/16	UEL208-109									
<b>45</b>	<b>UEL209</b>	<b>54</b>	<b>190</b>	<b>146</b>	<b>54</b>	<b>17</b>	<b>20</b>	<b>20</b>	<b>106</b>	<b>60</b>
1 5/8	UEL209-110	2 1/8	7 15/32	5 3/4	2 1/8	21/32	25/32	25/32	4 3/16	2 3/8
1 11/16	UEL209-111									
1 3/4	UEL209-112									
<b>50</b>	<b>UEL210</b>	<b>57.2</b>	<b>206</b>	<b>159</b>	<b>58</b>	<b>20</b>	<b>23</b>	<b>21</b>	<b>114</b>	<b>65</b>
1 13/16	UEL210-113	2 1/4	8 1/8	6 1/4	2 3/8	25/32	29/32	13/16	4 1/2	2 9/16
1 7/8	UEL210-114									
1 15/16	UEL210-115									
2	UEL210-200									

B <sub>1</sub>	S	Bolt Size	Bearing Number	Housing Number	Mass
					kg/lbs
mm inch		mm inch			
<b>43.7</b>	<b>17.1</b>	<b>M10</b>	<b>UEL204</b>	<b>P204</b>	<b>0.7</b>
1.72	0.673	3/8	UEL204-012	P204	1.5
<b>44.4</b>	<b>17.5</b>	<b>M10</b>	<b>UEL205</b>	<b>P205</b>	<b>0.9</b>
1.748	0.689	3/8	UEL205-013	P205	2.0
			UEL205-014	P205	
			UEL205-015	P205	
			UEL205-100	P205	
<b>48.4</b>	<b>18.3</b>	<b>M14</b>	<b>UEL206</b>	<b>P206</b>	<b>1.4</b>
1.906	0.72	1/2	UEL206-101	P206	3.1
			UEL206-102	P206	
			UEL206-103	P206	
			UEL206-104	P206	
<b>51.1</b>	<b>18.8</b>	<b>M14</b>	<b>UEL207</b>	<b>P207</b>	<b>1.8</b>
2.012	0.740	1/2	UEL207-104	P207	4.0
			UEL207-105	P207	
			UEL207-106	P207	
			UEL207-107	P207	
<b>56.3</b>	<b>21.4</b>	<b>M14</b>	<b>UEL208</b>	<b>P208</b>	<b>2.0</b>
2.217	0.843	1/2	UEL208-108	P208	4.4
			UEL208-109	P208	
<b>56.3</b>	<b>21.4</b>	<b>M14</b>	<b>UEL209</b>	<b>P209</b>	<b>2.4</b>
2.2170	0.843	1/2	UEL209-110	P209	5.3
			UEL209-111	P209	
			UEL209-112	P209	
<b>62.7</b>	<b>24.6</b>	<b>M16</b>	<b>UEL210</b>	<b>P210</b>	<b>2.8</b>
2.4690	0.969	5/8	UEL210-113	P210	6.2
			UEL210-114	P210	
			UEL210-115	P210	
			UEL210-200	P210	

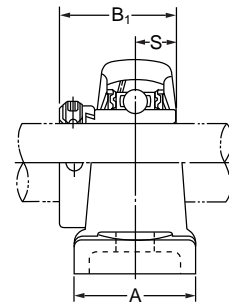
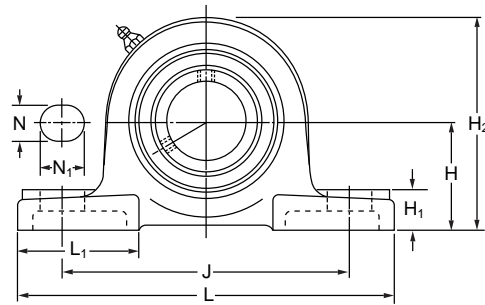
■ Eccentric Locking Collar Type - UELP 200 Series



Shaft Dia.	Unit Number	Basic Dimensions								
		H	L	J	A	N	N <sub>1</sub>	H <sub>1</sub>	H <sub>2</sub>	L <sub>1</sub>
<b>55</b>	<b>UEL211</b>	<b>63.5</b>	<b>219</b>	<b>171</b>	<b>58</b>	<b>20</b>	<b>23</b>	<b>23</b>	<b>126</b>	<b>65</b>
2	UEL211-200									
2 1/16	UEL211-201	2 1/2	8 5/8	6 23/32	2 3/8	25/32	29/32	29/32	4 31/32	2 9/16
2 1/8	UEL211-202									
2 3/16	UEL211-203									
<b>60</b>	<b>UEL212</b>	<b>69.8</b>	<b>241</b>	<b>184</b>	<b>70</b>	<b>20</b>	<b>23</b>	<b>25</b>	<b>138</b>	<b>70</b>
2 1/4	UEL212-204									
2 5/16	UEL212-205	2 3/4	9 1/2	7 1/4	2 3/4	25/32	29/32	31/32	5 7/16	2 3/4
2 3/8	UEL212-206									
2 7/16	UEL212-207									
<b>65</b>	<b>UEL213</b>	<b>76.2</b>	<b>265</b>	<b>203</b>	<b>70</b>	<b>25</b>	<b>28</b>	<b>27</b>	<b>151</b>	<b>77</b>
2 1/2	UEL213-208									
2 9/16	UEL213-209	3	10 7/16	8	2 3/4	31/32	1 3/32	1 1/16	5 15/16	3 1/32
<b>70</b>	<b>UEL214</b>	<b>79.4</b>	<b>266</b>	<b>210</b>	<b>71</b>	<b>25</b>	<b>28</b>	<b>27</b>	<b>157</b>	<b>77</b>
2 5/8	UEL214-210									
2 11/16	UEL214-211	3 1/8	10 15/32	8 9/32	2 27/32	31/32	1 3/32	1 1/16	6 3/16	3 1/32
2 3/4	UEL214-212									
<b>75</b>	<b>UEL215</b>	<b>82.6</b>	<b>275</b>	<b>217</b>	<b>73</b>	<b>25</b>	<b>28</b>	<b>28</b>	<b>163</b>	<b>80</b>
2 13/16	UEL215-213									
2 7/8	UEL215-214	3 1/4	10 13/16	8 17/32	2 29/32	31/32	1 3/32	1 3/32	6 13/32	3 5/32
2 15/16	UEL215-215									
3	UEL215-300									

B <sub>1</sub>	S	Bolt Size	Bearing Number	Housing Number	Mass
					kg/lbs
<b>71.4</b>	<b>27.8</b>	<b>M16</b>	<b>UEL211</b>	<b>P211</b>	<b>3.5</b>
			UEL211-200	P211	
2.8110	1.094	5/8	UEL211-201	P211	7.7
			UEL211-202	P211	
			UEL211-203	P211	
<b>77.8</b>	<b>31</b>	<b>M16</b>	<b>UEL212</b>	<b>P212</b>	<b>5.0</b>
			UEL212-204	P212	
3.0630	1.22	5/8	UEL212-205	P212	11
			UEL212-206	P212	
			UEL212-207	P212	
<b>85.7</b>	<b>34.15</b>	<b>M20</b>	<b>UEL213</b>	<b>P213</b>	<b>6.4</b>
			UEL213-208	P213	
3.374	1.344	3/4	UEL213-209	P213	14
<b>85.7</b>	<b>34.15</b>	<b>M20</b>	<b>UEL214</b>	<b>P214</b>	<b>6.8</b>
			UEL214-210	P214	
3.3740	1.344	3/4	UEL214-211	P214	15
			UEL214-212	P214	
<b>92</b>	<b>37.3</b>	<b>M20</b>	<b>UEL215</b>	<b>P215</b>	<b>7.6</b>
			UEL215-213	P215	
3.6220	1.469	3/4	UEL215-214	P215	17
			UEL215-215	P215	
			UEL215-300	P215	

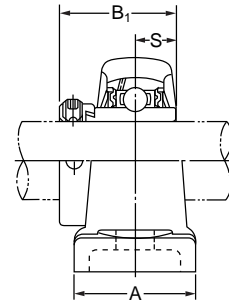
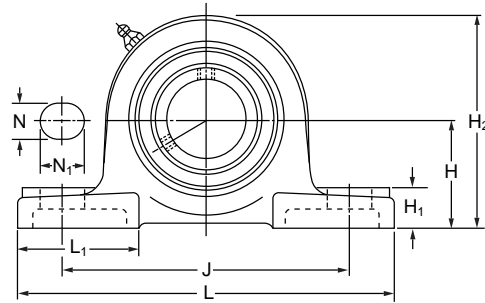
■ Eccentric Locking Collar Type - UELP 300 Series



Shaft Dia.	Unit Number	Basic Dimensions								
		H	L	J	A	N	N <sub>1</sub>	H <sub>1</sub>	H <sub>2</sub>	L <sub>1</sub>
mm inch		mm inch								
<b>25</b>	<b>UEL305</b>	<b>45</b>	<b>175</b>	<b>132</b>	<b>45</b>	<b>17</b>	<b>20</b>	<b>15</b>	<b>85</b>	<b>54</b>
13/16	UEL305-013									
7/8	UEL305-014	1 49/64	6 7/8	5 3/16	1 25/32	21/32	25/32	19/32	3 11/32	2 1/8
15/16	UEL305-015									
1	UEL305-100									
<b>30</b>	<b>UEL306</b>	<b>50</b>	<b>180</b>	<b>140</b>	<b>50</b>	<b>17</b>	<b>20</b>	<b>18</b>	<b>95</b>	<b>54</b>
1 1/16	UEL306-101									
1 1/8	UEL306-102	1 31/32	7 3/32	5 1/2	1 31/32	21/32	25/32	23/32	3 3/4	2 1/8
1 3/16	UEL306-103									
<b>35</b>	<b>UEL307</b>	<b>56</b>	<b>210</b>	<b>160</b>	<b>56</b>	<b>17</b>	<b>25</b>	<b>20</b>	<b>106</b>	<b>60</b>
1 1/4	UEL307-104									
1 5/16	UEL307-105	2 13/64	8 9/32	6 5/16	2 7/32	21/32	31/32	25/32	4 3/16	2 3/8
1 3/8	UEL307-106									
1 7/16	UEL307-107									
<b>40</b>	<b>UEL308</b>	<b>60</b>	<b>220</b>	<b>170</b>	<b>60</b>	<b>17</b>	<b>27</b>	<b>22</b>	<b>116</b>	<b>60</b>
1 1/2	UEL308-108									
1 9/16	UEL308-109	2 23/64	8 21/32	6 11/16	2 3/8	21/32	1 1/16	7/8	4 9/16	2 3/8
<b>45</b>	<b>UEL309</b>	<b>67</b>	<b>245</b>	<b>190</b>	<b>67</b>	<b>20</b>	<b>30</b>	<b>24</b>	<b>129</b>	<b>65</b>
1 5/8	UEL309-110									
1 11/16	UEL309-111	2 41/64	9 21/32	7 15/32	2 5/8	25/32	1 3/16	15/16	5 3/32	2 9/16
1 3/4	UEL309-112									
<b>50</b>	<b>UEL310</b>	<b>75</b>	<b>275</b>	<b>212</b>	<b>75</b>	<b>20</b>	<b>35</b>	<b>27</b>	<b>143</b>	<b>75</b>
1 13/16	UEL310-113									
1 7/8	UEL310-114	2 61/64	10 13/16	8 11/32	2 15/16	25/32	1 3/8	1 1/16	5 5/8	2 15/16
1 15/16	UEL310-115									
<b>55</b>	<b>UEL311</b>	<b>80</b>	<b>310</b>	<b>236</b>	<b>80</b>	<b>20</b>	<b>38</b>	<b>30</b>	<b>154</b>	<b>85</b>
2	UEL311-200									
2 1/16	UEL311-201	3 5/32	12 7/32	9 9/32	3 5/32	25/32	1 1/2	1 3/16	6 1/16	3 11/32
2 1/8	UEL311-202									
2 3/16	UEL311-203									

B <sub>1</sub>	S	Bolt Size	Bearing Number	Housing Number	Mass
					kg/lbs
mm inch	mm inch	mm inch			
<b>46.8</b>	<b>16.7</b>	<b>M14</b>	<b>UEL305</b>	<b>P305</b>	<b>1.4</b>
			UEL305-013	P305	
1.843	0.657	1/2	UEL305-014	P305	3.1
			UEL305-015	P305	
			UEL305-100	P305	
<b>50</b>	<b>17.5</b>	<b>M14</b>	<b>UEL306</b>	<b>P306</b>	<b>1.9</b>
			UEL306-101	P306	
1.969	0.689	1/2	UEL306-102	P306	4.2
			UEL306-103	P306	
<b>51.6</b>	<b>18.3</b>	<b>M14</b>	<b>UEL307</b>	<b>P307</b>	<b>2.9</b>
			UEL307-104	P307	
2.031	0.72	1/2	UEL307-105	P307	6.4
			UEL307-106	P307	
			UEL307-107	P307	
<b>57.1</b>	<b>19.8</b>	<b>M14</b>	<b>UEL308</b>	<b>P308</b>	<b>3.1</b>
			UEL308-108	P308	
2.248	0.78	1/2	UEL308-109	P308	6.8
<b>58.7</b>	<b>19.8</b>	<b>M16</b>	<b>UEL309</b>	<b>P309</b>	<b>4.3</b>
			UEL309-110	P309	
2.311	0.78	5/8	UEL309-111	P309	9.5
			UEL309-112	P309	
<b>66.6</b>	<b>24.6</b>	<b>M16</b>	<b>UEL310</b>	<b>P310</b>	<b>6</b>
			UEL310-113	P310	
2.622	0.969	5/8	UEL310-114	P310	13
			UEL310-115	P310	
<b>73</b>	<b>27.8</b>	<b>M16</b>	<b>UEL311</b>	<b>P311</b>	<b>7.7</b>
			UEL311-200	P311	
2.874	1.094	5/8	UEL311-201	P311	17
			UEL311-202	P311	
			UEL311-203	P311	

■ Eccentric Locking Collar Type - UELP 300 Series

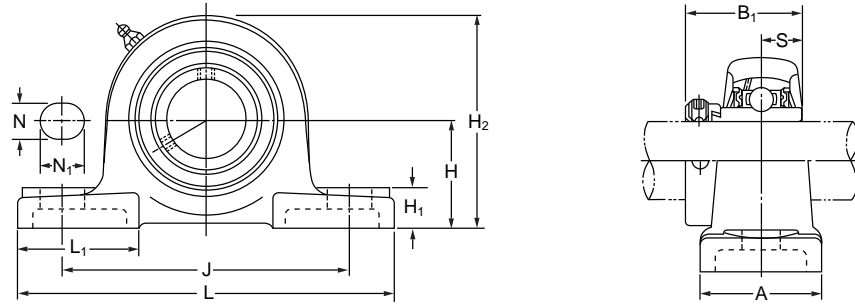


Shaft Dia.	Unit Number	Basic Dimensions								
		H	L	J	A	N	N <sub>1</sub>	H <sub>1</sub>	H <sub>2</sub>	L <sub>1</sub>
<b>60</b>	<b>UEL312</b>	<b>85</b>	<b>330</b>	<b>250</b>	<b>85</b>	<b>25</b>	<b>38</b>	<b>32</b>	<b>165</b>	<b>95</b>
2 1/4	UEL312-204									
2 5/16	UEL312-205	3 11/32	13	9 27/32	3 11/32	31/32	1 1/2	1 1/4	6 1/2	3 3/4
2 3/8	UEL312-206									
2 7/16	UEL312-207									
<b>65</b>	<b>UEL313</b>	<b>90</b>	<b>340</b>	<b>260</b>	<b>90</b>	<b>25</b>	<b>38</b>	<b>33</b>	<b>176</b>	<b>105</b>
2 1/2	UEL313-208									
2 9/16	UEL313-209	3 35/64	13 3/8	10 1/4	3 17/32	31/32	1 1/2	1 5/16	6 15/16	4 1/8
<b>70</b>	<b>UEL314</b>	<b>95</b>	<b>360</b>	<b>280</b>	<b>90</b>	<b>27</b>	<b>40</b>	<b>35</b>	<b>187</b>	<b>105</b>
2 5/8	UEL314-210									
2 11/16	UEL314-211	3 47/64	14 3/16	11 1/32	3 17/32	1 1/16	1 9/16	1 3/8	7 3/8	4 1/8
2 3/4	UEL314-212									
<b>75</b>	<b>UEL315</b>	<b>100</b>	<b>380</b>	<b>290</b>	<b>100</b>	<b>27</b>	<b>40</b>	<b>35</b>	<b>198</b>	<b>110</b>
2 13/16	UEL315-213									
2 7/8	UEL315-214	3 15/16	14 31/32	11 13/32	3 15/16	1 1/16	1 9/16	1 3/8	7 25/32	4 11/32
2 15/16	UEL315-215									
3	UEL315-300									
<b>80</b>	<b>UEL316</b>	<b>106</b>	<b>400</b>	<b>300</b>	<b>110</b>	<b>27</b>	<b>40</b>	<b>40</b>	<b>210</b>	<b>110</b>
3 1/16	UEL316-301									
3 1/8	UEL316-302	4 11/64	15 3/4	11 13/16	4 11/32	1 1/16	1 9/16	1 9/16	8 9/32	4 11/32
3 3/16	UEL316-303									
<b>85</b>	<b>UEL317</b>	<b>112</b>	<b>420</b>	<b>320</b>	<b>110</b>	<b>33</b>	<b>45</b>	<b>40</b>	<b>220</b>	<b>120</b>
3 1/4	UEL317-304									
3 5/16	UEL317-305	4 13/32	16 17/32	12 19/32	4 11/32	1 5/16	1 25/32	1 9/16	8 21/32	4 23/32
3 7/16	UEL317-307									
<b>90</b>	<b>UEL318</b>	<b>118</b>	<b>430</b>	<b>330</b>	<b>110</b>	<b>33</b>	<b>45</b>	<b>45</b>	<b>235</b>	<b>120</b>
3 7/16	UEL318-307									
3 1/2	UEL318-308	4 41/64	16 15/16	13	4 11/32	1 5/16	1 25/32	1 25/32	9 1/4	4 23/32
<b>95</b>	<b>UEL319</b>	<b>125</b>	<b>470</b>	<b>360</b>	<b>120</b>	<b>36</b>	<b>50</b>	<b>45</b>	<b>250</b>	<b>125</b>
3 5/8	UEL319-310									
3 11/16	UEL319-311	4 59/64	18 1/2	14 3/16	4 23/32	1 13/32	1 31/32	1 25/32	9 27/32	4 29/32
3 3/4	UEL319-312									

B <sub>1</sub>	S	Bolt Size	Bearing Number	Housing Number	Mass
					kg/lbs
<b>79.4</b>	<b>30.95</b>	<b>M20</b>	<b>UEL312</b>	<b>P312</b>	<b>9.7</b>
			UEL312-204	P312	
3.126	1.219	3/4	UEL312-205	P312	21
			UEL312-206	P312	
			UEL312-207	P312	
<b>85.7</b>	<b>32.55</b>	<b>M20</b>	<b>UEL313</b>	<b>P313</b>	<b>11</b>
			UEL313-208	P313	
3.374	1.281	3/4	UEL313-209	P313	24
<b>92.1</b>	<b>34.15</b>	<b>M22</b>	<b>UEL314</b>	<b>P314</b>	<b>12</b>
			UEL314-210	P314	
3.626	1.344	7/8	UEL314-211	P314	26
			UEL314-212	P314	
<b>100</b>	<b>37.3</b>	<b>M22</b>	<b>UEL315</b>	<b>P315</b>	<b>15</b>
			UEL315-213	P315	
3.937	1.469	7/8	UEL315-214	P315	33
			UEL315-215	P315	
			UEL315-300	P315	
<b>106.4</b>	<b>40.5</b>	<b>M22</b>	<b>UEL316</b>	<b>P316</b>	<b>19</b>
			UEL316-301	P316	
4.189	1.594	7/8	UEL316-302	P316	42
			UEL316-303	P316	
<b>109.5</b>	<b>42.05</b>	<b>M27</b>	<b>UEL317</b>	<b>P317</b>	<b>21</b>
			UEL317-304	P317	
4.311	1.656	1	UEL317-305	P317	46
			UEL317-307	P317	
<b>115.9</b>	<b>43.65</b>	<b>M27</b>	<b>UEL318</b>	<b>P318</b>	<b>25</b>
			UEL318-307	P318	
4.563	1.719	1	UEL318-308	P318	55
<b>122.3</b>	<b>38.9</b>	<b>M30</b>	<b>UEL319</b>	<b>P319</b>	<b>30</b>
			UEL319-310	P319	
4.815	1.531	1 1/8	UEL319-311	P319	66
			UEL319-312	P319	



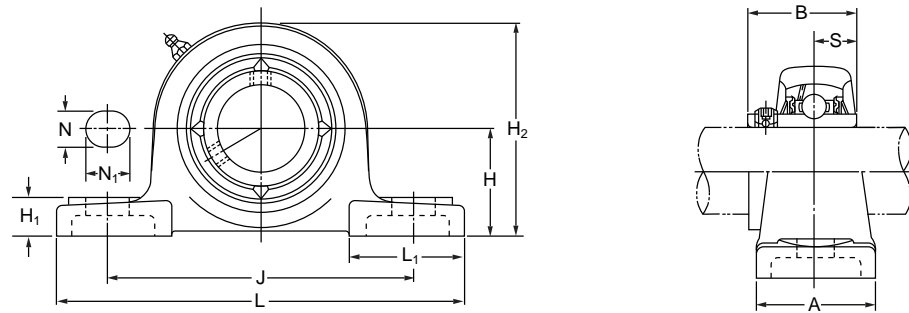
■ Eccentric Locking Collar Type - UELP 300 Series



Shaft Dia.	Unit Number	Basic Dimensions									
		H	L	J	A	N	N <sub>1</sub>	H <sub>1</sub>	H <sub>2</sub>	L <sub>1</sub>	
100	<b>UEL320</b>	140	490	380	120	36	50	50	275	130	
3 13/16	UEL320-313										
3 7/8	UEL320-314										
3 15/16	UEL320-315	5 33/64	19 9/32	14 31/32	4 23/32	1 13/32	1 31/32	1 31/32	10 13/16	5 1/8	
4	UEL320-400										
105	<b>UEL321</b>	140	490	380	120	36	50	50	280	130	
110	<b>UEL322</b>	150	520	400	140	40	55	55	300	135	

B <sub>1</sub>	S	Bolt Size	Bearing Number	Housing Number	Mass
		mm inch			kg/lbs
128.6	50	<b>M30</b>	<b>UEL320</b>	<b>P320</b>	<b>37</b>
			UEL320-313	P320	
			UEL320-314	P320	
5.063	1.969	1 1/8	UEL320-315	P320	82
			UEL320-400	P320	
139.7	48.4	<b>M30</b>	<b>UEL321</b>	<b>P321</b>	<b>37</b>
141.3	49.2	<b>M33</b>	<b>UEL 322</b>	<b>P322</b>	<b>48</b>

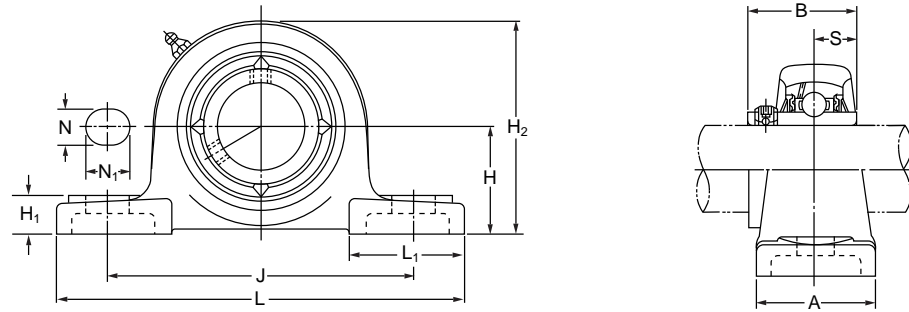
■ Set Screw Type - UCLP Series (Low Center Height)



Shaft Dia.	Unit Number	Basic Dimensions								
		H	L	J	A	N	N <sub>1</sub>	H <sub>1</sub>	H <sub>2</sub>	L <sub>1</sub>
<b>20</b>	<b>UCPL204</b>	<b>31.75</b>	<b>127</b>	<b>95</b>	<b>38</b>	<b>13</b>	<b>16</b>	<b>14</b>	<b>64</b>	<b>42</b>
3/4	UCPL204-012	1 1/4	5	3 3/4	1 1/2	1/2	5/8	9/16	2 17/32	1 21/32
<b>25</b>	<b>UCPL205</b>	<b>33</b>	<b>140</b>	<b>105</b>	<b>38</b>	<b>13</b>	<b>16</b>	<b>15</b>	<b>68</b>	<b>42</b>
13/16	UCPL205-013	1 5/16	5 1/2	4 1/8	1 1/2	1/2	5/8	19/32	2 11/16	1 21/32
7/8	UCPL205-014									
15/16	UCPL205-015									
1	UCPL205-100									
<b>30</b>	<b>UCPL206</b>	<b>39.69</b>	<b>165</b>	<b>121</b>	<b>48</b>	<b>17</b>	<b>20</b>	<b>17</b>	<b>80</b>	<b>54</b>
1 1/16	UCPL206-101	1 9/16	6 1/2	4 3/4	1 7/8	21/32	25/32	21/32	3 5/32	2 1/8
1 1/8	UCPL206-102									
1 3/16	UCPL206-103									
1 1/4	UCPL206-104									
<b>35</b>	<b>UCPL207</b>	<b>46.04</b>	<b>167</b>	<b>127</b>	<b>48</b>	<b>17</b>	<b>20</b>	<b>18</b>	<b>91</b>	<b>54</b>
1 1/4	UCPL207-104	1 13/16	6 9/16	5	1 7/8	21/32	25/32	23/32	3 19/32	2 1/8
1 5/16	UCPL207-105									
1 3/8	UCPL207-106									
1 7/16	UCPL207-107									
<b>45</b>	<b>UCPL209</b>	<b>52.39</b>	<b>190</b>	<b>146</b>	<b>54</b>	<b>17</b>	<b>20</b>	<b>20</b>	<b>104</b>	<b>60</b>
1 5/8	UCPL209-110	2 1/16	7 15/32	5 3/4	2 1/8	21/32	25/32	25/32	4 3/32	2 3/8
1 11/16	UCPL209-111									
1 3/4	UCPL209-112									
<b>50</b>	<b>UCPL210</b>	<b>55.56</b>	<b>206</b>	<b>159</b>	<b>60</b>	<b>20</b>	<b>23</b>	<b>21</b>	<b>112</b>	<b>65</b>
1 13/16	UCPL210-113	2 3/16	8 1/8	6 1/4	2 3/8	25/32	29/32	13/16	4 13/32	2 9/16
1 7/8	UCPL210-114									
1 15/16	UCPL210-115									
2	UCPL210-200									

B	S	Bolt Size	Bearing Number	Housing Number	Mass
					kg/lbs
<b>31</b>	<b>12.7</b>	<b>M10</b>	<b>UC204</b>	<b>PL204</b>	<b>0.6</b>
1.2205	0.500	3/8	UC204-012	PL204	1.3
<b>34.1</b>	<b>14.3</b>	<b>M10</b>	<b>UC205</b>	<b>PL205</b>	<b>0.8</b>
1.3425	0.563	3/8	UC205-013	PL205	1.8
			UC205-014	PL205	
			UC205-015	PL205	
			UC205-100	PL205	
<b>38.1</b>	<b>15.9</b>	<b>M14</b>	<b>UC206</b>	<b>PL206</b>	<b>1.2</b>
1.5000	0.626	1/2	UC206-101	PL206	2.6
			UC206-102	PL206	
			UC206-103	PL206	
			UC206-104	PL206	
<b>42.9</b>	<b>17.5</b>	<b>M14</b>	<b>UC207</b>	<b>PL207</b>	<b>1.6</b>
1.6890	0.689	1/2	UC207-104	PL207	3.5
			UC207-105	PL207	
			UC207-106	PL207	
			UC207-107	PL207	
<b>49.2</b>	<b>19</b>	<b>M14</b>	<b>UC209</b>	<b>PL209</b>	<b>2.2</b>
1.9370	0.748	1/2	UC209-110	PL209	4.9
			UC209-111	PL209	
			UC209-112	PL209	
<b>51.6</b>	<b>19</b>	<b>M16</b>	<b>UC210</b>	<b>PL210</b>	<b>2.6</b>
2.0315	0.748	5/8	UC210-113	PL210	5.7
			UC210-114	PL210	
			UC210-115	PL210	
			UC210-200	PL210	

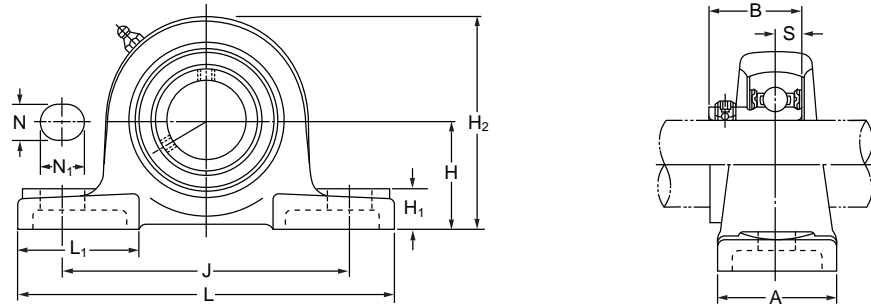
■ Set Screw Type - UCLP Series (Low Center Height)



Shaft Dia.	Unit Number	Basic Dimensions								
		H	L	J	A	N	N <sub>1</sub>	H <sub>1</sub>	H <sub>2</sub>	L <sub>1</sub>
<b>55</b>	<b>UCPL211</b>	<b>61.91</b>	<b>219</b>	<b>171</b>	<b>60</b>	<b>20</b>	<b>23</b>	<b>23</b>	<b>124</b>	<b>65</b>
2	UCPL211-200									
2 1/16	UCPL211-201	2 7/16	8 5/8	6 23/32	2 3/8	25/32	29/32	29/32	4 7/8	2 9/16
2 1/8	UCPL211-202									
2 3/16	UCPL211-203									
<b>60</b>	<b>UCPL212</b>	<b>68.26</b>	<b>241</b>	<b>184</b>	<b>70</b>	<b>20</b>	<b>23</b>	<b>25</b>	<b>136</b>	<b>70</b>
2 1/4	UCPL212-204									
2 5/16	UCPL212-205	2 11/16	9 1/2	7 1/4	2 3/4	25/32	29/32	31/32	5 11/32	2 3/4
2 3/8	UCPL212-206									
2 7/16	UCPL212-207									

B	S	Bolt Size	Bearing Number	Housing Number	Mass
		mm inch			kg/lbs
<b>55.6</b>	<b>22.2</b>	<b>M16</b>	<b>UC211</b>	<b>PL211</b>	<b>3.2</b>
			UC211-200	PL211	
2.1890	0.874	5/8	UC211-201	PL211	7.1
			UC211-202	PL211	
			UC211-203	PL211	
<b>65.1</b>	<b>25.4</b>	<b>M16</b>	<b>UC212</b>	<b>PL212</b>	<b>4.5</b>
			UC212-204	PL212	
2.5630	1.000	5/8	UC212-205	PL212	9.9
			UC212-206	PL212	
			UC212-207	PL212	

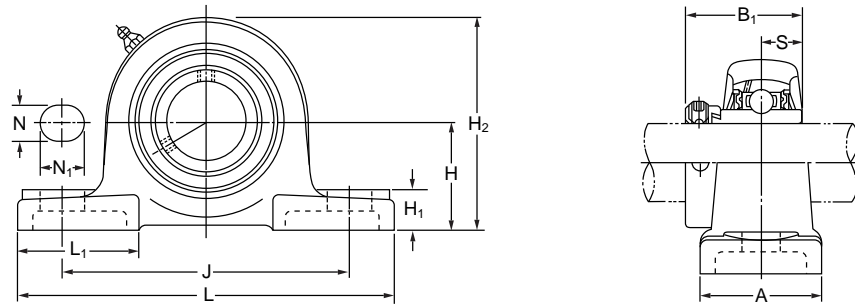
■ Set Screw Type - ASPL 200 Series (Low Center Height)



Shaft Dia.	Unit Number	Basic Dimensions								
		H	L	J	A	N	N <sub>1</sub>	H <sub>1</sub>	H <sub>2</sub>	L <sub>1</sub>
mm inch		mm inch								
<b>12</b>	<b>ASPL201</b>	<b>26.99</b>	<b>121</b>	<b>89</b>	<b>35</b>	<b>11</b>	<b>14</b>	<b>13</b>	<b>54</b>	<b>40</b>
1/2	ASPL201-008	1 1/16	4 3/4	3 1/2	1 3/8	7/16	9/16	1/2	2 1/8	1 9/16
<b>15</b>	<b>ASPL202</b>	<b>26.99</b>	<b>121</b>	<b>89</b>	<b>35</b>	<b>11</b>	<b>14</b>	<b>13</b>	<b>54</b>	<b>40</b>
9/16	ASPL202-009	1 1/16	4 3/4	3 1/2	1 3/8	7/16	9/16	1/2	2 1/8	1 9/16
5/8	ASPL202-010	1 1/16	4 3/4	3 1/2	1 3/8	7/16	9/16	1/2	2 1/8	1 9/16
<b>17</b>	<b>ASPL203</b>	<b>26.99</b>	<b>121</b>	<b>89</b>	<b>35</b>	<b>11</b>	<b>14</b>	<b>13</b>	<b>54</b>	<b>40</b>
11/16	ASPL203-011	1 1/16	4 3/4	3 1/2	1 3/8	7/16	9/16	1/2	2 1/8	1 9/16
<b>20</b>	<b>ASPL204</b>	<b>31.75</b>	<b>127</b>	<b>95</b>	<b>38</b>	<b>13</b>	<b>16</b>	<b>14</b>	<b>64</b>	<b>42</b>
3/4	ASPL204-012	1 1/4	5	3 3/4	1 1/2	1/2	5/8	9/16	2 17/32	1 21/32
<b>25</b>	<b>ASPL205</b>	<b>33.34</b>	<b>140</b>	<b>105</b>	<b>38</b>	<b>13</b>	<b>16</b>	<b>15</b>	<b>68</b>	<b>42</b>
13/16	ASPL205-013	1 5/16	5 1/2	4 1/8	1 1/2	1/2	5/8	19/32	2 11/16	1 21/32
7/8	ASPL205-014	1 5/16	5 1/2	4 1/8	1 1/2	1/2	5/8	19/32	2 11/16	1 21/32
15/16	ASPL205-015	1 5/16	5 1/2	4 1/8	1 1/2	1/2	5/8	19/32	2 11/16	1 21/32
1	ASPL205-100	1 5/16	5 1/2	4 1/8	1 1/2	1/2	5/8	19/32	2 11/16	1 21/32
<b>30</b>	<b>ASPL206</b>	<b>39.69</b>	<b>165</b>	<b>121</b>	<b>48</b>	<b>17</b>	<b>20</b>	<b>17</b>	<b>80</b>	<b>54</b>
1 1/16	ASPL206-101	1 9/16	6 1/2	4 3/4	1 7/8	21/32	25/32	21/32	3 5/32	2 1/8
1 1/8	ASPL206-102	1 9/16	6 1/2	4 3/4	1 7/8	21/32	25/32	21/32	3 5/32	2 1/8
1 3/16	ASPL206-103	1 9/16	6 1/2	4 3/4	1 7/8	21/32	25/32	21/32	3 5/32	2 1/8
1 1/4	ASPL206-104	1 9/16	6 1/2	4 3/4	1 7/8	21/32	25/32	21/32	3 5/32	2 1/8
<b>35</b>	<b>ASPL207</b>	<b>46.04</b>	<b>167</b>	<b>127</b>	<b>48</b>	<b>17</b>	<b>20</b>	<b>18</b>	<b>91</b>	<b>54</b>
1 1/4	ASPL207-104	1 13/16	6 9/16	5	1 7/8	21/32	25/32	23/32	3 19/32	2 1/8
1 5/16	ASPL207-105	1 13/16	6 9/16	5	1 7/8	21/32	25/32	23/32	3 19/32	2 1/8
1 3/8	ASPL207-106	1 13/16	6 9/16	5	1 7/8	21/32	25/32	23/32	3 19/32	2 1/8
1 7/16	ASPL207-107	1 13/16	6 9/16	5	1 7/8	21/32	25/32	23/32	3 19/32	2 1/8

B	S	Bolt Size	Bearing Number	Housing Number	Mass
					kg/lbs
mm inch		mm inch			
<b>22</b>	<b>6</b>	<b>M10</b>	<b>AS201</b>	<b>PL201</b>	<b>0.6</b>
0.8661	0.236	3/8	AS201-008	PL201	1.3
<b>22</b>	<b>6</b>	<b>M10</b>	<b>AS202</b>	<b>PL201</b>	<b>0.6</b>
0.8661	0.236	3/8	AS202-009	PL201	1.3
			AS202-010	PL201	
<b>22</b>	<b>6</b>	<b>M10</b>	<b>AS203</b>	<b>PL201</b>	<b>0.6</b>
0.8661	0.236	3/8	AS203-011	PL201	1.1
<b>25</b>	<b>7</b>	<b>M10</b>	<b>AS204</b>	<b>PL204</b>	<b>0.6</b>
0.9843	0.276	3/8	AS204-012	PL204	1.3
<b>27</b>	<b>7.5</b>	<b>M10</b>	<b>AS205</b>	<b>PL205</b>	<b>0.7</b>
			AS205-013	PL205	
1.0630	0.295	3/8	AS205-014	PL205	1.5
			AS205-015	PL205	
			AS205-100	PL205	
<b>29</b>	<b>8</b>	<b>M14</b>	<b>AS206</b>	<b>PL206</b>	<b>1.2</b>
1.1417	0.315	1/2	AS206-101	PL206	2.6
			AS206-102	PL206	
			AS206-103	PL206	
			AS206-104	PL206	
<b>34</b>	<b>8.5</b>	<b>M14</b>	<b>AS207</b>	<b>PL207</b>	<b>1.5</b>
			AS207-104	PL207	
1.3386	0.335	1/2	AS207-105	PL207	3.3
			AS207-106	PL207	
			AS207-107	PL207	

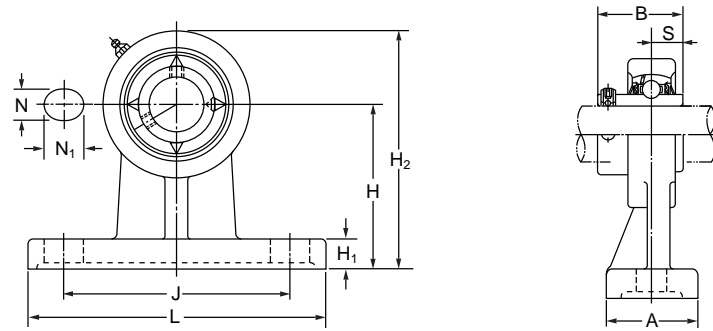
■ Eccentric Locking Collar Type - AELP 200 Series (Low Center Height)



Shaft Dia.	Unit Number	Basic Dimensions								
		H	L	J	A	N	N <sub>1</sub>	H <sub>1</sub>	H <sub>2</sub>	L <sub>1</sub>
<b>12</b>	<b>AELPL201</b>	<b>26.99</b>	<b>121</b>	<b>89</b>	<b>35</b>	<b>11</b>	<b>14</b>	<b>13</b>	<b>54</b>	<b>40</b>
1/2	AELPL201-008	1 1/16	4 3/4	3 1/2	1 3/8	7/16	9/16	1/2	2 1/8	1 9/16
<b>15</b>	<b>AELPL202</b>	<b>26.99</b>	<b>121</b>	<b>89</b>	<b>35</b>	<b>11</b>	<b>14</b>	<b>13</b>	<b>54</b>	<b>40</b>
9/16	AELPL202-009	1 1/16	4 3/4	3 1/2	1 3/8	7/16	9/16	1/2	2 1/8	1 9/16
5/8	AELPL202-010	1 1/16	4 3/4	3 1/2	1 3/8	7/16	9/16	1/2	2 1/8	1 9/16
<b>17</b>	<b>AELPL203</b>	<b>26.99</b>	<b>121</b>	<b>89</b>	<b>35</b>	<b>11</b>	<b>14</b>	<b>13</b>	<b>54</b>	<b>40</b>
11/16	AELPL203-011	1 1/16	4 3/4	3 1/2	1 3/8	7/16	9/16	1/2	2 1/8	1 9/16
<b>20</b>	<b>AELPL204</b>	<b>31.75</b>	<b>127</b>	<b>95</b>	<b>38</b>	<b>13</b>	<b>16</b>	<b>14</b>	<b>64</b>	<b>42</b>
3/4	AELPL204-012	1 1/4	5	3 3/4	1 1/2	1/2	5/8	9/16	2 17/32	1 21/32
<b>25</b>	<b>AELPL205</b>	<b>33.34</b>	<b>140</b>	<b>105</b>	<b>38</b>	<b>13</b>	<b>16</b>	<b>15</b>	<b>68</b>	<b>42</b>
13/16	AELPL205-013	1 5/16	5 1/2	4 1/8	1 1/2	1/2	5/8	19/32	2 11/16	1 21/32
7/8	AELPL205-014	1 5/16	5 1/2	4 1/8	1 1/2	1/2	5/8	19/32	2 11/16	1 21/32
15/16	AELPL205-015	1 5/16	5 1/2	4 1/8	1 1/2	1/2	5/8	19/32	2 11/16	1 21/32
1	AELPL205-100	1 5/16	5 1/2	4 1/8	1 1/2	1/2	5/8	19/32	2 11/16	1 21/32
<b>30</b>	<b>AELPL206</b>	<b>39.69</b>	<b>165</b>	<b>121</b>	<b>48</b>	<b>17</b>	<b>20</b>	<b>17</b>	<b>80</b>	<b>54</b>
1 1/16	AELPL206-101	1 9/16	6 1/2	4 3/4	1 7/8	21/32	25/32	21/32	3 5/32	2 1/8
1 1/8	AELPL206-102	1 9/16	6 1/2	4 3/4	1 7/8	21/32	25/32	21/32	3 5/32	2 1/8
1 3/16	AELPL206-103	1 9/16	6 1/2	4 3/4	1 7/8	21/32	25/32	21/32	3 5/32	2 1/8
1 1/4	AELPL206-104	1 9/16	6 1/2	4 3/4	1 7/8	21/32	25/32	21/32	3 5/32	2 1/8
<b>35</b>	<b>AELPL207</b>	<b>46.04</b>	<b>167</b>	<b>127</b>	<b>48</b>	<b>17</b>	<b>20</b>	<b>18</b>	<b>91</b>	<b>54</b>
1 1/4	AELPL207-104	1 13/16	6 9/16	5	1 7/8	21/32	25/32	23/32	3 19/32	2 1/8
1 5/16	AELPL207-105	1 13/16	6 9/16	5	1 7/8	21/32	25/32	23/32	3 19/32	2 1/8
1 3/8	AELPL207-106	1 13/16	6 9/16	5	1 7/8	21/32	25/32	23/32	3 19/32	2 1/8
1 7/16	AELPL207-107	1 13/16	6 9/16	5	1 7/8	21/32	25/32	23/32	3 19/32	2 1/8

B <sub>1</sub>	S	Bolt Size	Bearing Number	Housing Number	Mass
		mm inch			kg/lbs
<b>28.6</b>	<b>6.5</b>	<b>M10</b>	<b>AEL201</b>	<b>PL201</b>	<b>0.6</b>
1.126	0.256	3/8	AEL201-008	PL201	1.3
<b>28.6</b>	<b>6.5</b>	<b>M10</b>	<b>AEL202</b>	<b>PL201</b>	<b>0.6</b>
1.126	0.256	3/8	AEL202-009	PL201	1.3
			AEL202-010	PL201	1.3
<b>28.6</b>	<b>6.5</b>	<b>M10</b>	<b>AEL203</b>	<b>PL201</b>	<b>0.6</b>
1.126	0.256	3/8	AEL203-011	PL201	1.1
<b>31</b>	<b>7.5</b>	<b>M10</b>	<b>AEL204</b>	<b>PL204</b>	<b>0.7</b>
1.22	0.295	3/8	AEL204-012	PL204	1.5
<b>31</b>	<b>7.5</b>	<b>M10</b>	<b>AEL205</b>	<b>PL205</b>	<b>0.8</b>
			AEL205-013	PL205	
1.2200	0.295	3/8	AEL205-014	PL205	1.8
			AEL205-015	PL205	
			AEL205-100	PL205	
<b>35.7</b>	<b>9</b>	<b>M14</b>	<b>AEL206</b>	<b>PL206</b>	<b>1.2</b>
1.406	0.354	1/2	AEL206-101	PL206	2.6
			AEL206-102	PL206	
			AEL206-103	PL206	
			AEL206-104	PL206	
<b>38.9</b>	<b>9.5</b>	<b>M14</b>	<b>AEL207</b>	<b>PL207</b>	<b>1.5</b>
			AEL207-104	PL207	
1.531	0.374	1/2	AEL207-105	PL207	3.5
			AEL207-106	PL207	
			AEL207-107	PL207	

■ Set Screw Type - UCHP Series (Previously Call UCPH) (High Center Height)

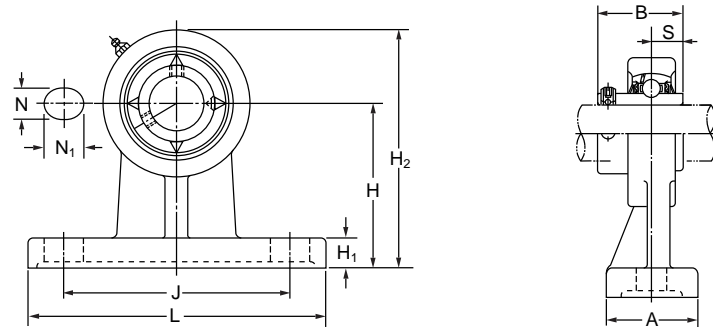


Shaft Dia.	Unit Number	Basic Dimensions									
		H	L	J	A	N	N <sub>1</sub>	H <sub>1</sub>	H <sub>2</sub>	B	
<b>12</b>	<b>UCHP201</b>	<b>70</b>	<b>127</b>	<b>95</b>	<b>40</b>	<b>13</b>	<b>19</b>	<b>13</b>	<b>101</b>	<b>31</b>	
1/2	UCHP201-008	2 3/4	5	3 3/4	1 9/16	1/2	3/4	1/2	3 31/32	1.2205	
<b>15</b>	<b>UCHP202</b>	<b>70</b>	<b>127</b>	<b>95</b>	<b>40</b>	<b>13</b>	<b>19</b>	<b>13</b>	<b>101</b>	<b>31</b>	
9/16	UCHP202-009	2 3/4	5	3 3/4	1 9/16	1/2	3/4	1/2	3 31/32	1.2205	
5/8	UCHP202-010	2 3/4	5	3 3/4	1 9/16	1/2	3/4	1/2	3 31/32	1.2205	
<b>17</b>	<b>UCHP203</b>	<b>70</b>	<b>127</b>	<b>95</b>	<b>40</b>	<b>13</b>	<b>19</b>	<b>13</b>	<b>101</b>	<b>31</b>	
11/16	UCHP203-011	2 3/4	5	3 3/4	1 9/16	1/2	3/4	1/2	3 31/32	1.2205	
<b>20</b>	<b>UCHP204</b>	<b>70</b>	<b>127</b>	<b>95</b>	<b>40</b>	<b>13</b>	<b>19</b>	<b>13</b>	<b>101</b>	<b>31</b>	
3/4	UCHP204-012	2 3/4	5	3 3/4	1 9/16	1/2	3/4	1/2	3 31/32	1.2205	
<b>25</b>	<b>UCHP205</b>	<b>80</b>	<b>142</b>	<b>105</b>	<b>50</b>	<b>13</b>	<b>19</b>	<b>13</b>	<b>114</b>	<b>34.1</b>	
13/16	UCHP205-013	3 1/4	5 1/2	4 1/8	1 31/32	1/2	3/4	1/2	4 1/2	1.3425	
7/8	UCHP205-014	3 5/32	5 19/32	4 1/8	1 31/32	1/2	3/4	1/2	4 1/2	1.3425	
15/16	UCHP205-015	3 5/32	5 19/32	4 1/8	1 31/32	1/2	3/4	1/2	4 1/2	1.3425	
1	UCHP205-100	3 5/32	5 19/32	4 1/8	1 31/32	1/2	3/4	1/2	4 1/2	1.3425	
<b>30</b>	<b>UCHP206</b>	<b>90</b>	<b>165</b>	<b>120</b>	<b>50</b>	<b>17</b>	<b>21</b>	<b>16</b>	<b>130</b>	<b>38.1</b>	
1 1/16	UCHP206-101	3 3/8	6 1/2	4 23/32	1 31/32	21/32	13/16	5/8	5 1/8	1.5000	
1 1/8	UCHP206-102	3 35/64	6 1/2	4 23/32	1 31/32	21/32	13/16	5/8	5 1/8	1.5000	
1 3/16	UCHP206-103	3 35/64	6 1/2	4 23/32	1 31/32	21/32	13/16	5/8	5 1/8	1.5000	
1 1/4	UCHP206-104	3 35/64	6 1/2	4 23/32	1 31/32	21/32	13/16	5/8	5 1/8	1.5000	
<b>35</b>	<b>UCHP207</b>	<b>95</b>	<b>166</b>	<b>127</b>	<b>60</b>	<b>17</b>	<b>21</b>	<b>18</b>	<b>140</b>	<b>42.9</b>	
1 1/4	UCHP207-104	3 7/8	6 3/4	5	2 3/8	21/32	13/16	23/32	5 1/2	1.6890	
1 5/16	UCHP207-104	3 47/64	6 17/32	5	2 3/8	21/32	13/16	23/32	5 1/2	1.6890	
1 3/8	UCHP207-106	3 47/64	6 17/32	5	2 3/8	21/32	13/16	23/32	5 1/2	1.6890	
1 7/16	UCHP207-107	3 47/64	6 17/32	5	2 3/8	21/32	13/16	23/32	5 1/2	1.6890	
<b>40</b>	<b>UCHP208</b>	<b>100</b>	<b>184</b>	<b>136</b>	<b>70</b>	<b>17</b>	<b>21</b>	<b>20</b>	<b>150</b>	<b>49.2</b>	
1 1/2	UCHP208-108	3 15/16	7 1/4	5 11/32	2 3/4	21/32	13/16	25/32	5 29/32	1.9370	
1 9/16	UCHP208-109	3 15/16	7 1/4	5 11/32	2 3/4	21/32	13/16	25/32	5 29/32	1.9370	

	Bolt Size	Bearing Number	Housing Number	Mass
S	mm inch			kg/lbs
<b>12.7</b>	<b>M10</b>	<b>UC201</b>	<b>HP204</b>	<b>1.0</b>
0.5	3/8	UC201-008	HP204	2.2
<b>12.7</b>	<b>M10</b>	<b>UC202</b>	<b>HP204</b>	<b>2.0</b>
0.5	3/8	UC202-009 UC202-010	HP204 HP204	2.2
<b>12.7</b>	<b>M10</b>	<b>UC203</b>	<b>HP204</b>	<b>1.0</b>
0.5	3/8	UC203-011	HP204	2.2
<b>12.7</b>	<b>M10</b>	<b>UC204</b>	<b>HP204</b>	<b>1.0</b>
0.5	3/8	UC204-012	HP204	2.2
<b>14.3</b>	<b>M10</b>	<b>UC205</b>	<b>HP205</b>	<b>1.2</b>
0.563	3/8	UC205-013 UC205-014 UC205-015 UC205-100	HP205 HP205 HP205 HP205	2.6
<b>15.9</b>	<b>M14</b>	<b>UC206</b>	<b>HP206</b>	<b>1.8</b>
0.626	1/2	UC206-101 UC206-102 UC206-103 UC206-104	HP206 HP206 HP206 HP206	4.0
<b>17.5</b>	<b>M14</b>	<b>UC207</b>	<b>HP207</b>	<b>2.4</b>
0.689	1/2	UC207-104 UC207-105 UC207-106 UC207-107	HP207 HP207 HP207 HP207	5.3
<b>19</b>	<b>M14</b>	<b>UC208</b>	<b>HP208</b>	<b>3.4</b>
0.748	1/2	UC208-108 UC208-109	HP208 HP208	7.5



■ Set Screw Type - UCHP Series (Previously Call UCPH) (High Center Height)



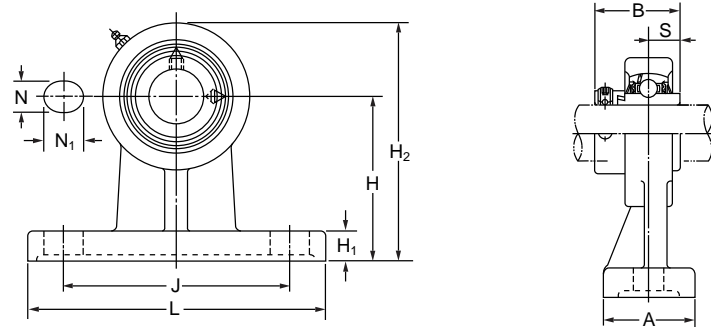
Shaft Dia.	Unit Number	Basic Dimensions									
		H	L	J	A	N	N <sub>1</sub>	H <sub>1</sub>	H <sub>2</sub>	B	
45	<b>UCHP209</b>	<b>105</b>	<b>190</b>	<b>146</b>	<b>70</b>	<b>17</b>	<b>22</b>	<b>20</b>	<b>158</b>	<b>49.2</b>	
1 5/8	UCHP209-110										
1 11/16	UCHP209-111	4 9/64	7 15/32	5 3/4	2 3/4	21/32	7/8	25/32	6 7/32	1.937	
1 3/4	UCHP209-112										
50	<b>UCHP210</b>	<b>110</b>	<b>206</b>	<b>159</b>	<b>70</b>	<b>20</b>	<b>22</b>	<b>22</b>	<b>165</b>	<b>51.6</b>	
1 13/16	UCHP210-113										
1 7/8	UCHP210-114	4 21/64	8 1/8	6 1/4	2 3/4	25/32	7/8	7/8	6 1/2	2.0315	
1 15/16	UCHP210-115										
2	UCHP210-200										

	Bolt Size	Bearing Number	Housing Number	Mass
S	mm inch			kg/lbs
19	<b>M14</b>	<b>UC209</b>	<b>HP209</b>	<b>3.7</b>
0.748	1/2	UC209-110	HP209	
		UC209-111	HP209	8.2
		UC209-112	HP209	
19	<b>M16</b>	<b>UC210</b>	<b>HP210</b>	<b>4.1</b>
0.748	5/8	UC210-113	HP210	
		UC210-114	HP210	
		UC210-115	HP210	9.0
		UC210-200	HP210	





■ Eccentric Locking Collar Type - UELHP 200 Series (High Center Height)

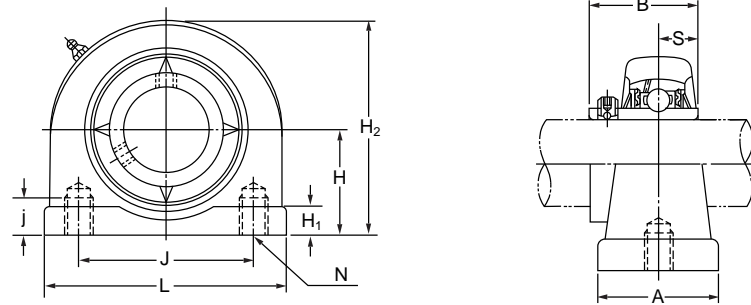


Shaft Dia.	Unit Number	Basic Dimensions								
		H	L	J	A	N	N <sub>1</sub>	H <sub>1</sub>	H <sub>2</sub>	B
<b>20</b>	<b>UELHP204</b>	<b>70</b>	<b>127</b>	<b>95</b>	<b>40</b>	<b>13</b>	<b>19</b>	<b>13</b>	<b>101</b>	<b>43.7</b>
3/4	UELHP204-012	2 3/4	5	3 3/4	1 9/16	1/2	3/4	1/2	3 31/32	1.720
<b>25</b>	<b>UELHP205</b>	<b>80</b>	<b>142</b>	<b>105</b>	<b>50</b>	<b>13</b>	<b>19</b>	<b>13</b>	<b>114</b>	<b>44.4</b>
13/16	UELHP205-013	3 5/32	5 19/32	4 1/8	1 31/32	1/2	3/4	1/2	4 1/2	1.748
7/8	UELHP205-014									
15/16	UELHP205-015									
1	UELHP205-100									
<b>30</b>	<b>UELHP206</b>	<b>90</b>	<b>165</b>	<b>120</b>	<b>50</b>	<b>17</b>	<b>21</b>	<b>16</b>	<b>130</b>	<b>48.4</b>
1 1/16	UELHP206-101	3 35/64	6 1/2	4 23/32	1 31/32	21/32	13/16	5/8	5 1/8	1.906
1 1/8	UELHP206-102									
1 3/16	UELHP206-103									
1 1/4	UELHP206-104									
<b>35</b>	<b>UELHP207</b>	<b>95</b>	<b>166</b>	<b>127</b>	<b>60</b>	<b>17</b>	<b>21</b>	<b>18</b>	<b>140</b>	<b>51.1</b>
1 1/4	UELHP207-104	3 47/64	6 17/32	5	2 3/8	21/32	13/16	23/32	5 1/2	2.012
1 5/16	UELHP207-105									
1 3/8	UELHP207-106									
1 7/16	UELHP207-107									
<b>40</b>	<b>UELHP208</b>	<b>100</b>	<b>184</b>	<b>136</b>	<b>70</b>	<b>17</b>	<b>21</b>	<b>20</b>	<b>150</b>	<b>56.3</b>
1 1/2	UELHP208-108	3 15/16	7 1/4	5 11/32	2 3/4	21/32	13/16	25/32	5 29/32	2.217
1 9/16	UELHP208-109									
<b>45</b>	<b>UELHP209</b>	<b>105</b>	<b>190</b>	<b>146</b>	<b>70</b>	<b>17</b>	<b>22</b>	<b>20</b>	<b>158</b>	<b>56.3</b>
1 5/8	UELHP209-110	4 9/64	7 15/32	5 3/4	2 3/4	21/32	7/8	25/32	6 7/32	2.217
1 11/16	UELHP209-111									
1 3/4	UELHP209-112									
<b>50</b>	<b>UELHP210</b>	<b>110</b>	<b>206</b>	<b>159</b>	<b>70</b>	<b>20</b>	<b>22</b>	<b>22</b>	<b>165</b>	<b>62.7</b>
1 13/16	UELHP210-113	4 21/64	8 1/8	6 1/4	2 3/4	25/32	7/8	7/8	6 1/2	2.469
1 7/8	UELHP210-114									
1 15/16	UELHP210-115									
2	UELHP210-200									

	Bolt Size	Bearing Number	Housing Number	Mass
S	mm inch			kg/lbs
<b>17.1</b>	<b>M10</b>	<b>UEL204</b>	<b>HP204</b>	<b>1.1</b>
0.673	3/8	UEL204-012	HP204	2.4
<b>17.5</b>	<b>M10</b>	<b>UEL205</b>	<b>HP205</b>	<b>1.3</b>
0.689	3/8	UEL205-013	HP205	2.9
		UEL205-014	HP205	
		UEL205-015	HP205	
		UEL205-100	HP205	
<b>18.3</b>	<b>M14</b>	<b>UEL206</b>	<b>HP206</b>	<b>1.9</b>
0.720	1/2	UEL206-101	HP206	4.2
		UEL206-102	HP206	
		UEL206-103	HP206	
		UEL206-104	HP206	
<b>18.8</b>	<b>M14</b>	<b>UEL207</b>	<b>HP207</b>	<b>2.5</b>
0.740	1/2	UEL207-104	HP207	5.5
		UEL207-105	HP207	
		UEL207-106	HP207	
		UEL207-107	HP207	
<b>21.4</b>	<b>M14</b>	<b>UEL208</b>	<b>HP208</b>	<b>3.5</b>
0.843	1/2	UEL208-108	HP208	7.7
		UEL208-109	HP208	
<b>21.4</b>	<b>M14</b>	<b>UEL209</b>	<b>HP209</b>	<b>3.9</b>
0.843	1/2	UEL209-110	HP209	8.6
		UEL209-111	HP209	
		UEL209-112	HP209	
<b>24.6</b>	<b>M16</b>	<b>UEL210</b>	<b>HP210</b>	<b>4.3</b>
0.969	5/8	UEL210-113	HP210	9.5
		UEL210-114	HP210	
		UEL210-115	HP210	
		UEL210-200	HP210	



■ Set Screw Type - UCPA Series

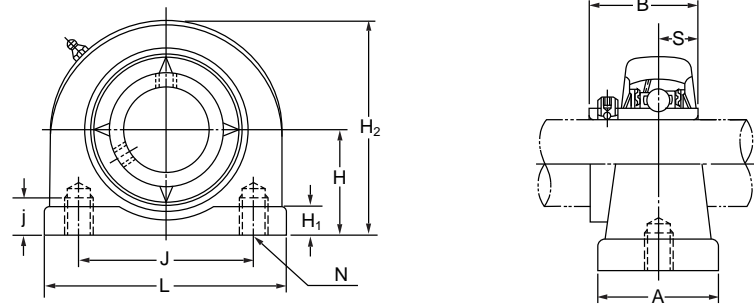


Shaft Dia.	Unit Number	Basic Dimensions									
		mm					inch				
mm inch		H	L	J	A	j	H <sub>1</sub>	H <sub>2</sub>	B	S	
<b>12</b>	<b>UCPA201</b>	<b>30.2</b>	<b>76</b>	<b>52</b>	<b>40</b>	<b>13</b>	<b>11</b>	<b>62</b>	<b>31</b>	<b>12.7</b>	
1/2	UCPA201-008	1 3/16	3	2 1/16	1 1/2	1/2	7/16	2 7/16	1.2205	0.500	
<b>15</b>	<b>UCPA202</b>	<b>30.2</b>	<b>76</b>	<b>52</b>	<b>40</b>	<b>13</b>	<b>11</b>	<b>62</b>	<b>31</b>	<b>12.7</b>	
9/16	UCPA202-009	1 3/16	3	2 1/16	1 1/2	1/2	7/16	2 7/16	1.2205	0.500	
5/8	UCPA202-010	1 3/16	3	2 1/16	1 1/2	1/2	7/16	2 7/16	1.2205	0.500	
<b>17</b>	<b>UCPA203</b>	<b>30.2</b>	<b>76</b>	<b>52</b>	<b>40</b>	<b>13</b>	<b>11</b>	<b>62</b>	<b>31</b>	<b>12.7</b>	
11/16	UCPA203-011	1 3/16	3	2 1/16	1 1/2	1/2	7/16	2 7/16	1.2205	0.500	
<b>20</b>	<b>UCPA204</b>	<b>30.2</b>	<b>76</b>	<b>52</b>	<b>40</b>	<b>13</b>	<b>11</b>	<b>62</b>	<b>31</b>	<b>12.7</b>	
3/4	UCPA204-012	1 3/16	3	2 1/16	1 1/2	1/2	7/16	2 7/16	1.2205	0.500	
<b>25</b>	<b>UCPA205</b>	<b>36.5</b>	<b>83</b>	<b>56</b>	<b>44</b>	<b>15</b>	<b>12</b>	<b>72</b>	<b>34.1</b>	<b>14.3</b>	
13/16	UCPA205-013	1 7/16	3 5/16	2 7/32	1 1/2	19/32	15/32	2 27/32	1.3425	0.563	
7/8	UCPA205-014	1 7/16	3 5/16	2 7/32	1 1/2	19/32	15/32	2 27/32	1.3425	0.563	
15/16	UCPA205-015	1 7/16	3 5/16	2 7/32	1 1/2	19/32	15/32	2 27/32	1.3425	0.563	
1	UCPA205-100	1 7/16	3 5/16	2 7/32	1 1/2	19/32	15/32	2 27/32	1.3425	0.563	
<b>30</b>	<b>UCPA206</b>	<b>42.9</b>	<b>95</b>	<b>66</b>	<b>50</b>	<b>18</b>	<b>12</b>	<b>84</b>	<b>38.1</b>	<b>15.9</b>	
1 1/16	UCPA206-101	1 11/16	3 11/16	2 19/32	1 7/8	23/32	15/32	3 5/16	1.5000	0.6290	
1 1/8	UCPA206-102	1 11/16	3 11/16	2 19/32	1 7/8	23/32	15/32	3 5/16	1.5000	0.6290	
1 3/16	UCPA206-103	1 11/16	3 11/16	2 19/32	1 7/8	23/32	15/32	3 5/16	1.5000	0.6290	
1 1/4	UCPA206-104	1 11/16	3 11/16	2 19/32	1 7/8	23/32	15/32	3 5/16	1.5000	0.6290	
<b>35</b>	<b>UCPA207</b>	<b>47.6</b>	<b>113</b>	<b>80</b>	<b>56</b>	<b>20</b>	<b>13</b>	<b>95</b>	<b>42.9</b>	<b>17.5</b>	
1 1/4	UCPA207-104	1 7/8	4 11/32	3 5/32	1 7/8	25/32	1/2	3 3/4	1.6890	0.6890	
1 5/16	UCPA207-105	1 7/8	4 11/32	3 5/32	1 7/8	25/32	1/2	3 3/4	1.6890	0.6890	
1 3/8	UCPA207-106	1 7/8	4 11/32	3 5/32	1 7/8	25/32	1/2	3 3/4	1.6890	0.6890	
1 7/16	UCPA207-107	1 7/8	4 11/32	3 5/32	1 7/8	25/32	1/2	3 3/4	1.6890	0.6890	
<b>40</b>	<b>UCPA208</b>	<b>49.2</b>	<b>116</b>	<b>84</b>	<b>58</b>	<b>20</b>	<b>13</b>	<b>100</b>	<b>49.2</b>	<b>19</b>	
1 1/2	UCPA208-108	1 15/16	4 9/16	3 5/16	2 1/8	25/32	1/2	3 15/16	1.9370	0.7480	
1 9/16	UCPA208-109	1 15/16	4 9/16	3 5/16	2 1/8	25/32	1/2	3 15/16	1.9370	0.7480	

	Bearing Number	Housing Number	Mass
N			kg/lbs
<b>M10 X 1.5</b>	<b>UC201</b>	<b>PA204</b>	<b>0.6</b>
	UC201-008	PA204	1.3
<b>M10 X 1.5</b>	<b>UC202</b>	<b>PA204</b>	<b>0.6</b>
	UC202-009	PA204	1.3
	UC202-010	PA204	1.3
<b>M10 X 1.5</b>	<b>UC203</b>	<b>PA204</b>	<b>0.6</b>
	UC203-011	PA204	1.3
<b>M10 X 1.5</b>	<b>UC204</b>	<b>PA204</b>	<b>0.6</b>
	UC204-012	PA204	1.3
<b>M10 X 1.5</b>	<b>UC205</b>	<b>PA205</b>	<b>0.8</b>
	UC205-013	PA205	1.8
	UC205-014	PA205	1.8
	UC205-015	PA205	1.8
	UC205-100	PA205	1.8
<b>M14 X 2</b>	<b>UC206</b>	<b>PA206</b>	<b>1.2</b>
	UC206-101	PA206	2.6
	UC206-102	PA206	2.6
	UC206-103	PA206	2.6
	UC206-104	PA206	2.6
<b>M14 X 2</b>	<b>UC207</b>	<b>PA207</b>	<b>1.7</b>
	UC207-104	PA207	3.7
	UC207-105	PA207	3.7
	UC207-106	PA207	3.7
	UC207-107	PA207	3.7
<b>M14 X 2</b>	<b>UC208</b>	<b>PA208</b>	<b>2.0</b>
	UC208-108	PA208	4.4
	UC208-109	PA208	4.4



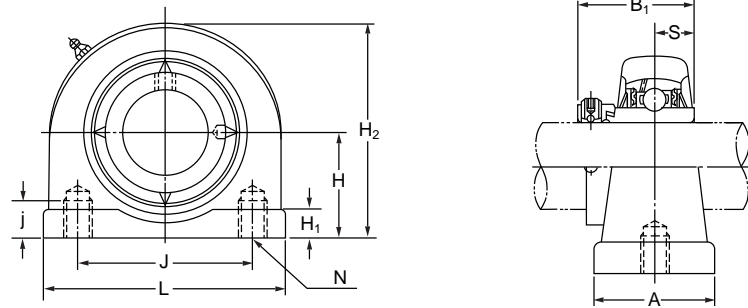
■ Set Screw Type - UCPA Series



Shaft Dia.	Unit Number	Basic Dimensions								
		H	L	J	A	j	H <sub>1</sub>	H <sub>2</sub>	B	S
45	<b>UCPA209</b>	<b>54.2</b>	<b>123</b>	<b>90</b>	<b>62</b>	<b>25</b>	<b>13</b>	<b>108</b>	<b>49.2</b>	<b>19</b>
1 5/8	UCPA209-110									
1 11/16	UCPA209-111	2 1/8	4 23/32	3 17/32	2 1/8	31/32	1/2	4 1/4	1.9370	0.748
1 3/4	UCPA209-112									
50	<b>UCPA210</b>	<b>57.2</b>	<b>130</b>	<b>94</b>	<b>65</b>	<b>25</b>	<b>14</b>	<b>116</b>	<b>51.6</b>	<b>19</b>
1 13/16	UCPA210-113									
1 7/8	UCPA210-114	2 1/4	5 1/8	3 11/16	2 3/8	31/32	9/16	4 9/16	2.0315	0.748
1 15/16	UCPA210-115									
2	UCPA210-200									

	Bearing Number	Housing Number	Mass
N			kg/lbs
<b>M14 X 2</b>	<b>UC209</b>	<b>PA209</b>	<b>2.2</b>
	UC209-110	PA209	
	UC209-111	PA209	4.9
	UC209-112	PA209	
<b>M16 X 2</b>	<b>UC210</b>	<b>PA210</b>	<b>2.9</b>
	UC210-113	PA210	
	UC210-114	PA210	6.4
	UC210-115	PA210	
	UC210-200	PA210	

■ Eccentric Locking Collar Type - UELUP 200 Series



Shaft Dia.	Unit Number	Basic Dimensions								
		H	L	J	A	j	H <sub>1</sub>	H <sub>2</sub>	B	S
<b>20</b>	<b>UELPA204</b>	<b>30.2</b>	<b>76</b>	<b>52</b>	<b>40</b>	<b>13</b>	<b>11</b>	<b>62</b>	<b>43.7</b>	<b>17.1</b>
3/4	UELPA204-012	1 3/16	3	2 1/16	1 1/2	1/2	7/16	2 7/16	1.72	0.673
<b>25</b>	<b>UELPA205</b>	<b>36.5</b>	<b>83</b>	<b>56</b>	<b>44</b>	<b>15</b>	<b>12</b>	<b>72</b>	<b>44.4</b>	<b>17.5</b>
13/16	UELPA205-013	1 7/16	3 5/16	2 7/32	1 1/2	19/32	15/32	2 27/32	1.748	0.689
7/8	UELPA205-014									
15/16	UELPA205-015									
1	UELPA205-100									
<b>30</b>	<b>UELPA206</b>	<b>42.9</b>	<b>95</b>	<b>66</b>	<b>50</b>	<b>18</b>	<b>12</b>	<b>84</b>	<b>48.4</b>	<b>18.3</b>
1 1/16	UELPA206-101	1 11/16	3 11/16	2 19/32	1 7/8	23/32	15/32	3 5/16	1.906	0.720
1 1/8	UELPA206-102									
1 3/16	UELPA206-103									
1 1/4	UELPA206-104									
<b>35</b>	<b>UELPA207</b>	<b>47.6</b>	<b>113</b>	<b>80</b>	<b>56</b>	<b>20</b>	<b>13</b>	<b>95</b>	<b>51.1</b>	<b>18.8</b>
1 1/4	UELPA207-104	1 7/8	4 11/32	3 5/32	1 7/8	25/32	1/2	3 3/4	2.012	0.740
1 5/16	UELPA207-105									
1 3/8	UELPA207-106									
1 7/16	UELPA207-107									
<b>40</b>	<b>UELPA208</b>	<b>49.2</b>	<b>116</b>	<b>84</b>	<b>58</b>	<b>20</b>	<b>13</b>	<b>100</b>	<b>56.3</b>	<b>21.4</b>
1 1/2	UELPA208-108	1 15/16	4 9/16	3 5/16	2 1/8	25/32	1/2	3 15/16	2.217	0.843
1 9/16	UELPA208-109									
<b>45</b>	<b>UELPA209</b>	<b>54.2</b>	<b>123</b>	<b>90</b>	<b>62</b>	<b>25</b>	<b>13</b>	<b>108</b>	<b>56.3</b>	<b>21.4</b>
1 5/8	UELPA209-110	2 1/8	4 23/32	3 17/32	2 1/8	31/32	1/2	4 1/4	2.217	0.843
1 11/16	UELPA209-111									
1 3/4	UELPA209-112									
<b>50</b>	<b>UELPA210</b>	<b>57.2</b>	<b>130</b>	<b>94</b>	<b>65</b>	<b>25</b>	<b>14</b>	<b>116</b>	<b>62.7</b>	<b>24.6</b>
1 13/16	UELPA210-113	2 1/4	5 1/8	3 11/16	2 3/8	31/32	9/16	4 9/16	2.469	0.969
1 7/8	UELPA210-114									
1 15/16	UELPA210-115									
2	UELPA210-200									

1.15

	Bearing Number	Housing Number	Mass
N			kg/lbs
<b>M10 X 1.5</b>	<b>UEL204</b>	<b>PA204</b>	<b>0.7</b>
M10 X 1.5	UEL204-012	PA204	1.5
<b>M10 X 1.5</b>	<b>UEL205</b>	<b>PA205</b>	<b>0.9</b>
M10 X 1.5	UEL205-013	PA205	2.0
	UEL205-014	PA205	
	UEL205-015	PA205	
	UEL205-100	PA205	
<b>M14 X 2</b>	<b>UEL206</b>	<b>PA206</b>	<b>1.3</b>
M14 X 2	UEL206-101	PA206	2.9
	UEL206-102	PA206	
	UEL206-103	PA206	
	UEL206-104	PA206	
<b>M14 X 2</b>	<b>UEL207</b>	<b>PA207</b>	<b>1.8</b>
M14 X 2	UEL207-104	PA207	4.0
	UEL207-105	PA207	
	UEL207-106	PA207	
	UEL207-107	PA207	
<b>M14 X 2</b>	<b>UEL208</b>	<b>PA208</b>	<b>2.1</b>
M14 X 2	UEL208-108	PA208	4.6
	UEL208-109	PA208	
<b>M14 X 2</b>	<b>UEL209</b>	<b>PA209</b>	<b>2.4</b>
M14 X 2	UEL209-110	PA209	5.3
	UEL209-111	PA209	
	UEL209-112	PA209	
<b>M16 X 2</b>	<b>UEL210</b>	<b>PA210</b>	<b>3.1</b>
M16 X 2	UEL210-113	PA210	6.8
	UEL210-114	PA210	
	UEL210-115	PA210	
	UEL210-200	PA210	



Note: All stainless steel housing can be supplied with solid base as an option.

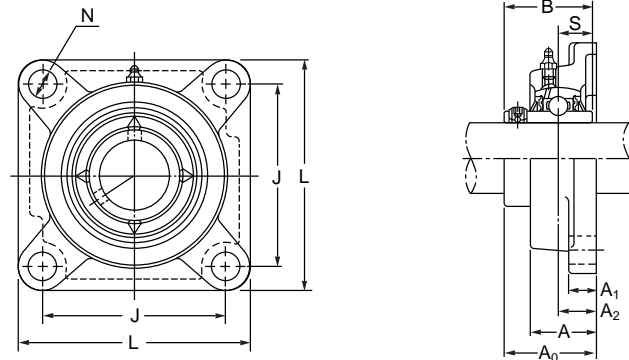
# Flanged Unit

		Page
2.01	4 Bolt - Square, Set Screw Type - UCF 200 Series	67
2.02	4 Bolt - Square, Set Screw Type - UCFX Series	73
2.03	4 Bolt - Square, Set Screw Type - UCF 300 Series	77
2.04	4 Bolt - Square, Taper Bored with Adapter Sleeve - UKF 200 Series	83
2.05	4 Bolt - Square, Taper Bored with Adapter Sleeve - UKFX Series	87
2.06	4 Bolt - Square, Taper Bored with Adapter Sleeve - UKF 300 Series	91
2.07	4 Bolt - Square, Eccentric Locking Collar Type - UELF 200 Series	95
2.08	4 Bolt - Square, Eccentric Locking Collar Type - UELF 300 Series	99
2.09	4 Bolt - Round, Set Screw Type - UCFC 200 Series	105
2.10	4 Bolt - Round, Set Screw Type - UCFCX Series	111
2.11	4 Bolt - Round, Taper Bored with Adapter Sleeve - UKFC 200 Series	115
2.12	4 Bolt - Round, Taper Bored with Adapter Sleeve - UKFCX Series	119
2.13	4 Bolt - Round, Eccentric Locking Collar Type - UELFC 200 Series	123
2.14	2 Bolt - Oval, Set Screw Type - UCFL 200 Series	127
2.15	2 Bolt - Oval, Set Screw Type - UCFLX Series	133
2.16	2 Bolt - Oval, Set Screw Type - UCFL 300 Series	135
2.17	2 Bolt - Oval, Taper Bored with Adapter Sleeve - UKFL 200 Series	141
2.18	2 Bolt - Oval, Taper Bored with Adapter Sleeve - UKFLX Series	145
2.19	2 Bolt - Oval, Taper Bored with Adapter Sleeve - UKFL 300 Series	147
2.20	2 Bolt - Oval, Eccentric Locking Collar Type - UELFL 200 Series	151
2.21	2 Bolt - Oval, Eccentric Locking Collar Type - UELFL 300 Series	155
2.22	2 Bolt - Oval, Set Screw Type - ASFD 200 Series	161
2.23	2 Bolt - Oval, Eccentric Locking Collar Type - AELFLD 200 Series	163
2.24	Adjustable, Set Screw Type - UCFA 2 Series	165
2.25	3 Bolt Bracket, Set Screw Type - UCFH 200 Series	169

# Flanged Unit (4 Bolt - Square)



■ Set Screw Type - UCF 200 Series



Shaft Dia.	* Unit Number	Basic Dimensions							
		mm		inch		mm		inch	
mm inch		L	J	A <sub>2</sub>	A <sub>1</sub>	A	N	A <sub>0</sub>	B
<b>12</b>	<b>UCF201</b>	<b>86</b>	<b>64</b>	<b>15</b>	<b>12</b>	<b>25.5</b>	<b>12</b>	<b>33.3</b>	<b>31</b>
1/2	UCF201-008	3 3/8	2 33/64	19/32	7/16	1	15/32	1 5/16	1.2205
<b>15</b>	<b>UCF202</b>	<b>86</b>	<b>64</b>	<b>15</b>	<b>12</b>	<b>25.5</b>	<b>12</b>	<b>33.3</b>	<b>31</b>
9/16	UCF202-009	3 3/8	2 33/64	19/32	7/16	1	15/32	1 5/16	1.2205
5/8	UCF202-010	3 3/8	2 33/64	19/32	7/16	1	15/32	1 5/16	1.2205
<b>17</b>	<b>UCF203</b>	<b>86</b>	<b>64</b>	<b>15</b>	<b>12</b>	<b>25.5</b>	<b>12</b>	<b>33.3</b>	<b>31</b>
11/16	UCF203-011	3 3/8	2 33/64	19/32	7/16	1	15/32	1 5/16	1.2205
<b>20</b>	<b>UCF204</b>	<b>86</b>	<b>64</b>	<b>15</b>	<b>12</b>	<b>25.5</b>	<b>12</b>	<b>33.3</b>	<b>31</b>
3/4	UCF204-012	3 3/8	2 33/64	19/32	7/16	1	15/32	1 5/16	1.2205
<b>25</b>	<b>UCF205</b>	<b>95</b>	<b>70</b>	<b>16</b>	<b>14</b>	<b>27</b>	<b>12</b>	<b>35.8</b>	<b>34.1</b>
13/16	UCF205-013	3 3/4	2 3/4	5/8	1/2	1 1/16	15/32	1 13/32	1.3425
7/8	UCF205-014	3 3/4	2 3/4	5/8	1/2	1 1/16	15/32	1 13/32	1.3425
15/16	UCF205-015	3 3/4	2 3/4	5/8	1/2	1 1/16	15/32	1 13/32	1.3425
1	UCF205-100	3 3/4	2 3/4	5/8	1/2	1 1/16	15/32	1 13/32	1.3425
<b>30</b>	<b>UCF206</b>	<b>108</b>	<b>83</b>	<b>18</b>	<b>14</b>	<b>31</b>	<b>12</b>	<b>40.2</b>	<b>38.1</b>
1 1/16	UCF206-101	4 1/4	3 17/64	45/64	1/2	1 7/32	15/32	1 37/64	1.5000
1 1/8	UCF206-102	4 1/4	3 17/64	45/64	1/2	1 7/32	15/32	1 37/64	1.5000
1 3/16	UCF206-103	4 1/4	3 17/64	45/64	1/2	1 7/32	15/32	1 37/64	1.5000
1 1/4	UCF206-104	4 1/4	3 17/64	45/64	1/2	1 7/32	15/32	1 37/64	1.5000
<b>35</b>	<b>UCF207</b>	<b>117</b>	<b>92</b>	<b>19</b>	<b>16</b>	<b>34</b>	<b>14</b>	<b>44.4</b>	<b>42.9</b>
1 1/4	UCF207-104	4 19/32	3 5/8	3/4	19/32	1 11/32	35/64	1 3/4	1.6890
1 5/16	UCF207-105	4 19/32	3 5/8	3/4	19/32	1 11/32	35/64	1 3/4	1.6890
1 3/8	UCF207-106	4 19/32	3 5/8	3/4	19/32	1 11/32	35/64	1 3/4	1.6890
1 7/16	UCF207-107	4 19/32	3 5/8	3/4	19/32	1 11/32	35/64	1 3/4	1.6890
<b>40</b>	<b>UCF208</b>	<b>130</b>	<b>102</b>	<b>21</b>	<b>16</b>	<b>36</b>	<b>16</b>	<b>51.2</b>	<b>49.2</b>
1 1/2	UCF208-108	5 1/8	4 1/64	53/64	19/32	1 13/32	5/8	2 1/64	1.9370
1 9/16	UCF208-109	5 1/8	4 1/64	53/64	19/32	1 13/32	5/8	2 1/64	1.9370
<b>45</b>	<b>UCF209</b>	<b>137</b>	<b>105</b>	<b>22</b>	<b>18</b>	<b>38</b>	<b>16</b>	<b>52.2</b>	<b>49.2</b>
1 5/8	UCF209-110	5 13/32	4 9/64	55/64	5/8	1 1/2	5/8	2 1/16	1.9370
1 11/16	UCF209-111	5 13/32	4 9/64	55/64	5/8	1 1/2	5/8	2 1/16	1.9370
1 3/4	UCF209-112	5 13/32	4 9/64	55/64	5/8	1 1/2	5/8	2 1/16	1.9370



# Flanged Unit (4 Bolt - Square)

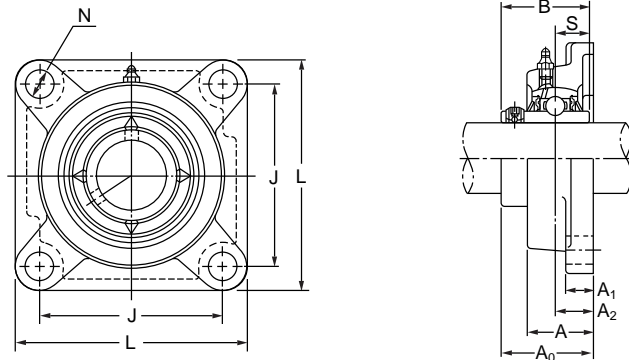
\* Denotation  
 UCF : Cast Housing with chrome steel bearing inserts.  
 MUCF : Stainless Steel Housing with stainless steel bearing inserts.  
 MUCFPL...SB : Plastic Housing with stainless steel bearing inserts.

S	Bolt Size	Bearing Number	Housing Number	Mass (kg/lbs)		
				UCF	MUCF	MUCFPL...SB
<b>12.7</b>	<b>M10</b>	<b>UC201</b>	<b>F204</b>	<b>0.7</b>	-	<b>0.1</b>
0.500	3/8	UC201-008	F204	1.5	-	0.2
<b>12.7</b>	<b>M10</b>	<b>UC202</b>	<b>F204</b>	<b>0.7</b>	-	<b>0.1</b>
0.500	3/8	UC202-009 UC202-010	F204 F204	1.5	-	0.2
<b>12.7</b>	<b>M10</b>	<b>UC203</b>	<b>F204</b>	<b>0.6</b>	-	<b>0.1</b>
0.500	3/8	UC203-011	F204	1.3	-	0.2
<b>12.7</b>	<b>M10</b>	<b>UC204</b>	<b>F204</b>	<b>0.6</b>	<b>0.6</b>	<b>0.1</b>
0.500	3/8	UC204-012	F204	1.3	1.3	0.2
<b>14.3</b>	<b>M10</b>	<b>UC205</b>	<b>F205</b>	<b>0.8</b>	<b>0.9</b>	<b>0.2</b>
0.563	3/8	UC205-013 UC205-014 UC205-015 UC205-100	F205 F205 F205 F205	1.8	2.0	0.4
<b>15.9</b>	<b>M10</b>	<b>UC206</b>	<b>F206</b>	<b>1.0</b>	<b>1.1</b>	<b>0.2</b>
0.626	3/8	UC206-101 UC206-102 UC206-103 UC206-104	F206 F206 F206 F206	2.2	2.4	0.4
<b>17.5</b>	<b>M12</b>	<b>UC207</b>	<b>F207</b>	<b>1.4</b>	<b>1.6</b>	<b>0.3</b>
0.689	7/16	UC207-104 UC207-105 UC207-106 UC207-107	F207 F207 F207 F207	3.1	3.5	0.7
<b>19</b>	<b>M14</b>	<b>UC208</b>	<b>F208</b>	<b>1.8</b>	<b>1.9</b>	<b>0.3</b>
0.748	1/2	UC208-108 UC208-109	F208 F208	4.0	4.2	0.7
<b>19</b>	<b>M14</b>	<b>UC209</b>	<b>F209</b>	<b>2.2</b>	<b>2.4</b>	-
0.748	1/2	UC209-110 UC209-111 UC209-112	F209 F209 F209	4.9	5.3	-

# Flanged Unit (4 Bolt - Square)



■ Set Screw Type - UCF 200 Series



Shaft Dia. mm inch	* Unit Number	Basic Dimensions							
		mm inch							
		L	J	A <sub>2</sub>	A <sub>1</sub>	A	N	A <sub>0</sub>	B
<b>50</b>	<b>UCF210</b>	<b>143</b>	<b>111</b>	<b>22</b>	<b>18</b>	<b>40</b>	<b>16</b>	<b>54.6</b>	<b>51.6</b>
1 13/16	UCF210-113								
1 7/8	UCF210-114								
1 15/16	UCF210-115	5 5/8	4 3/8	55/64	5/8	1 9/16	5/8	2 5/32	2.0315
2	UCF210-200								
<b>55</b>	<b>UCF211</b>	<b>162</b>	<b>130</b>	<b>25</b>	<b>20</b>	<b>43</b>	<b>19</b>	<b>58.4</b>	<b>55.6</b>
2	UCF211-200								
2 1/16	UCF211-201								
2 1/8	UCF211-202	6 3/8	5 1/8	63/64	23/32	1 11/16	3/4	2 19/64	2.1890
2 3/16	UCF211-203								
<b>60</b>	<b>UCF212</b>	<b>175</b>	<b>143</b>	<b>29</b>	<b>20</b>	<b>48</b>	<b>19</b>	<b>68.7</b>	<b>65.1</b>
2 1/4	UCF212-204								
2 5/16	UCF212-205								
2 3/8	UCF212-206	6 7/8	5 5/8	1 9/64	23/32	1 7/8	3/4	2 45/64	2.5630
2 7/16	UCF212-207								
<b>65</b>	<b>UCF213</b>	<b>187</b>	<b>149</b>	<b>30</b>	<b>22</b>	<b>50</b>	<b>19</b>	<b>69.7</b>	<b>65.1</b>
2 1/2	UCF213-208								
2 9/16	UCF213-209	7 3/8	5 55/64	1 3/16	7/8	1 31/32	3/4	2 3/4	2.5630
<b>70</b>	<b>UCF214</b>	<b>193</b>	<b>152</b>	<b>31</b>	<b>22</b>	<b>54</b>	<b>19</b>	<b>75.4</b>	<b>74.6</b>
2 5/8	UCF214-210								
2 11/16	UCF214-211	7 19/32	5 63/64	1 7/32	7/8	2 1/8	3/4	2 31/32	2.9370
2 3/4	UCF214-212								
<b>75</b>	<b>UCF215</b>	<b>200</b>	<b>159</b>	<b>34</b>	<b>22</b>	<b>56</b>	<b>19</b>	<b>78.5</b>	<b>77.8</b>
2 13/16	UCF215-213								
2 7/8	UCF215-214	7 7/8	6 17/64	1 11/32	7/8	2 7/32	3/4	3 3/32	3.0630
2 15/16	UCF215-215								
3	UCF215-300								
<b>80</b>	<b>UCF216</b>	<b>208</b>	<b>165</b>	<b>34</b>	<b>23</b>	<b>58</b>	<b>23</b>	<b>83.3</b>	<b>82.6</b>
3 1/16	UCF216-301								
3 1/8	UCF216-302	8 3/16	6 1/2	1 11/32	7/8	2 9/32	29/32	3 9/32	3.2520
3 3/16	UCF216-303								



# Flanged Unit (4 Bolt - Square)

\* Denotation  
 UCF : Cast Housing with chrome steel bearing inserts.  
 MUCF : Stainless Steel Housing with stainless steel bearing inserts.  
 MUCFPL...SB : Plastic Housing with stainless steel bearing inserts.

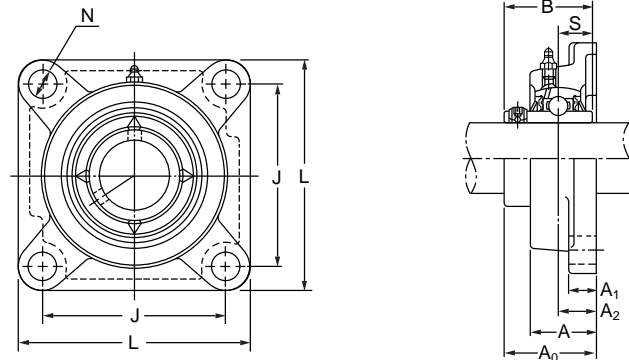
S	Bolt Size	Bearing Number	Housing Number	Mass (kg/lbs)		
				UCF	MUCF	MUCFPL...SB
<b>19</b>	<b>M14</b>	<b>UC210</b>	<b>F210</b>	<b>2.4</b>	<b>2.6</b>	<b>-</b>
0.748	1/2	UC210-113	F210			
		UC210-114	F210	5.3	5.7	-
		UC210-115	F210			
		UC210-200	F210			
<b>22.2</b>	<b>M16</b>	<b>UC211</b>	<b>F211</b>	<b>3.6</b>	<b>3.5</b>	<b>-</b>
0.874	5/8	UC211-200	F211			
		UC211-201	F211	7.9	7.7	-
		UC211-202	F211			
		UC211-203	F211			
<b>25.4</b>	<b>M16</b>	<b>UC212</b>	<b>F212</b>	<b>4.4</b>	<b>4.2</b>	<b>-</b>
1.000	5/8	UC212-204	F212			
		UC212-205	F212	9.7	9.2	-
		UC212-206	F212			
		UC212-207	F212			
<b>25.4</b>	<b>M16</b>	<b>UC213</b>	<b>F213</b>	<b>5.5</b>	<b>-</b>	<b>-</b>
1.000	5/8	UC213-208	F213	12	-	-
		UC213-209	F213			
<b>30.2</b>	<b>M16</b>	<b>UC214</b>	<b>F214</b>	<b>6.1</b>	<b>-</b>	<b>-</b>
1.189	5/8	UC214-210	F214			
		UC214-211	F214	13	-	-
		UC214-212	F214			
<b>33.3</b>	<b>M16</b>	<b>UC215</b>	<b>F215</b>	<b>6.9</b>	<b>-</b>	<b>-</b>
1.311	5/8	UC215-213	F215			
		UC215-214	F215	15	-	-
		UC215-215	F215			
		UC215-300	F215			
<b>33.3</b>	<b>M20</b>	<b>UC216</b>	<b>F216</b>	<b>8.1</b>	<b>-</b>	<b>-</b>
1.311	3/4	UC216-301	F216			
		UC216-302	F216	18	-	-
		UC216-303	F216			



# Flanged Unit (4 Bolt - Square)



■ Set Screw Type - UCF 200 Series



Shaft Dia.	* Unit Number	Basic Dimensions							
		mm		inch		mm			
mm		L	J	A <sub>2</sub>	A <sub>1</sub>	A	N	A <sub>0</sub>	B
<b>85</b>	<b>UCF217</b>	<b>220</b>	<b>175</b>	<b>36</b>	<b>24</b>	<b>63</b>	<b>23</b>	<b>87.6</b>	<b>85.7</b>
3 1/4	UCF217-304								
3 5/16	UCF217-305	8 21/32	6 57/64	1 27/64	15/16	2 15/32	29/32	3 29/64	3.3740
3 7/16	UCF217-307								
<b>90</b>	<b>UCF218</b>	<b>235</b>	<b>187</b>	<b>40</b>	<b>24</b>	<b>68</b>	<b>23</b>	<b>96.3</b>	<b>96</b>
3 1/2	UCF218-308	9 1/4	7 23/64	1 37/64	15/16	2 11/16	29/32	3 51/64	3.7795



# Flanged Unit (4 Bolt - Square)

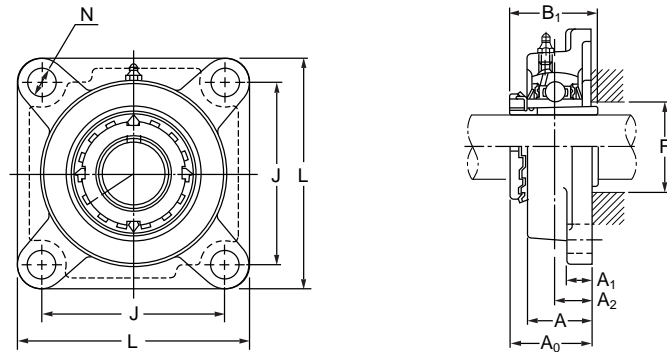
\* Denotation  
 UCF : Cast Housing with chrome steel bearing inserts.  
 MUCF : Stainless Steel Housing with stainless steel bearing inserts.  
 MUCFPL...SB : Plastic Housing with stainless steel bearing inserts.

S	Bolt Size	Bearing Number	Housing Number	Mass (kg/lbs)		
				UCF	MUCF	MUCFPL...SB
<b>34.1</b>	<b>M20</b>	<b>UC217</b>	<b>F217</b>	<b>9.3</b>	-	-
		UC217-304	F217			
1.343	3/4	UC217-305	F217	21	-	-
		UC217-307	F217			
<b>39.7</b>	<b>M20</b>	<b>UC218</b>	<b>F218</b>	<b>11</b>	-	-
1.563	3/4	UC218-308	F218	24	-	-

# Flanged Unit Cast Housing (4 Bolt - Square)



■ Set Screw Type - UCFX Series



Shaft Dia.	Unit Number	Basic Dimensions							
		mm		inch		mm		inch	
mm inch		L	J	A <sub>2</sub>	A <sub>1</sub>	A	N	A <sub>0</sub>	B
<b>25</b>	<b>UCFX05</b>	<b>108</b>	<b>83</b>	<b>18</b>	<b>13</b>	<b>30</b>	<b>12</b>	<b>40.2</b>	<b>38.1</b>
13/16	UCFX05-013								
7/8	UCFX05-014								
15/16	UCFX05-015	4 1/4	3 17/64	45/64	1/2	1 3/16	15/32	1 37/64	1.5000
1	UCFX05-100								
<b>30</b>	<b>UCFX06</b>	<b>117</b>	<b>92</b>	<b>19</b>	<b>14</b>	<b>34</b>	<b>16</b>	<b>44.4</b>	<b>42.9</b>
1 1/16	UCFX06-101								
1 1/8	UCFX06-102								
1 3/16	UCFX06-103	4 19/32	3 5/8	3/4	9/16	1 11/32	5/8	1 3/4	1.6890
1 1/4	UCFX06-104								
<b>35</b>	<b>UCFX07</b>	<b>130</b>	<b>102</b>	<b>21</b>	<b>14</b>	<b>38</b>	<b>16</b>	<b>51.2</b>	<b>49.2</b>
1 5/16	UCFX07-105								
1 3/8	UCFX07-106	5 1/8	4 1/64	53/64	9/16	1 1/2	5/8	2 1/64	1.9370
1 7/16	UCFX07-107								
<b>40</b>	<b>UCFX08</b>	<b>137</b>	<b>105</b>	<b>22</b>	<b>14</b>	<b>40</b>	<b>19</b>	<b>52.2</b>	<b>49.2</b>
1 1/2	UCFX08-108								
1 9/16	UCFX08-109	5 13/32	4 9/64	55/64	9/16	1 9/16	3/4	2 1/16	1.9370
<b>45</b>	<b>UCFX09</b>	<b>143</b>	<b>111</b>	<b>23</b>	<b>14</b>	<b>40</b>	<b>19</b>	<b>55.6</b>	<b>51.6</b>
1 5/8	UCFX09-110								
1 11/16	UCFX09-111								
1 3/4	UCFX09-112	5 5/8	4 3/8	29/32	9/16	1 9/16	3/4	2 3/16	2.0315
1 13/16	UCFX09-113								
<b>50</b>	<b>UCFX10</b>	<b>162</b>	<b>130</b>	<b>26</b>	<b>20</b>	<b>44</b>	<b>19</b>	<b>59.4</b>	<b>55.6</b>
1 7/8	UCFX10-114								
1 15/16	UCFX10-115	6 3/8	5 1/8	1 1/32	25/32	1 23/32	3/4	2 11/32	2.1890
2	UCFX10-200								
<b>55</b>	<b>UCFX11</b>	<b>175</b>	<b>143</b>	<b>29</b>	<b>20</b>	<b>49</b>	<b>19</b>	<b>68.7</b>	<b>65.1</b>
2 1/16	UCFX11-201								
2 1/8	UCFX11-202								
2 3/16	UCFX11-203	6 7/8	5 5/8	1 9/64	25/32	1 15/16	3/4	2 45/64	2.5630
2 1/4	UCFX11-204								
2 5/16	UCFX11-205								



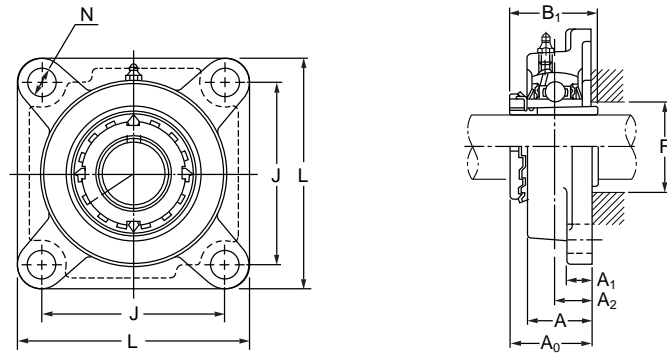
# Flanged Unit Cast Housing (4 Bolt - Square)

	Bolt Size	Bearing Number	Housing Number	Mass
S	mm inch			UCF kg/lbs
<b>15.9</b>	<b>M10</b>	<b>UCX05</b>	<b>FX05</b>	<b>1.0</b>
		UCX05-013	FX05	
0.626	3/8	UCX05-014	FX05	2.2
		UCX05-015	FX05	
		UCX05-100	FX05	
<b>17.5</b>	<b>M14</b>	<b>UCX06</b>	<b>FX06</b>	<b>1.7</b>
		UCX06-101	FX06	
0.689	1/2	UCX06-102	FX06	3.7
		UCX06-103	FX06	
		UCX06-104	FX06	
<b>19</b>	<b>M14</b>	<b>UCX07</b>	<b>FX07</b>	<b>2.1</b>
		UCX07-105	FX07	
0.748	1/2	UCX07-106	FX07	4.6
		UCX07-107	FX07	
<b>19</b>	<b>M16</b>	<b>UCX08</b>	<b>FX08</b>	<b>2.4</b>
		UCX08-108	FX08	
0.748	5/8	UCX08-109	FX08	5.3
<b>19</b>	<b>M16</b>	<b>UCX09</b>	<b>FX09</b>	<b>2.5</b>
		UCX09-110	FX09	
0.748	5/8	UCX09-111	FX09	5.5
		UCX09-112	FX09	
		UCX09-113	FX09	
<b>22.2</b>	<b>M16</b>	<b>UCX10</b>	<b>FX10</b>	<b>3.9</b>
		UCX10-114	FX10	
0.874	5/8	UCX10-115	FX10	8.6
		UCX10-200	FX10	
<b>25.4</b>	<b>M16</b>	<b>UCX11</b>	<b>FX11</b>	<b>4.9</b>
		UCX11-201	FX11	
1.000	5/8	UCX11-202	FX11	11
		UCX11-203	FX11	
		UCX11-204	FX11	
		UCX11-205	FX11	

# Flanged Unit Cast Housing (4 Bolt - Square)



■ Set Screw Type - UCFX Series



Shaft Dia. mm inch	Unit Number	Basic Dimensions							
		L	J	A <sub>2</sub>	A <sub>1</sub>	A	N	A <sub>0</sub>	B
<b>60</b> 2 3/8 2 7/16	<b>UCFX12</b> UCFX12-206 UCFX12-207	<b>187</b> 7 3/8	<b>149</b> 5 55/64	<b>34</b> 1 11/32	<b>21</b> 13/16	<b>59</b> 2 5/16	<b>19</b> 3/4	<b>73.7</b> 2 29/32	<b>65.1</b> 2.5630
<b>65</b> 2 1/2 2 9/16	<b>UCFX13</b> UCFX13-208 UCFX13-209	<b>187</b> 7 3/8	<b>149</b> 5 55/64	<b>34</b> 1 11/32	<b>21</b> 13/16	<b>59</b> 2 5/16	<b>19</b> 3/4	<b>78.4</b> 3 3/32	<b>74.6</b> 2.9370
<b>70</b> 2 5/8 2 11/16 2 3/4	<b>UCFX14</b> UCFX14-210 UCFX14-211 UCFX14-212	<b>197</b> 7 3/4	<b>152</b> 5 63/64	<b>37</b> 1 29/64	<b>24</b> 15/16	<b>60</b> 2 3/8	<b>23</b> 29/32	<b>81.5</b> 3 13/64	<b>77.8</b> 3.0630
<b>75</b> 2 13/16 2 7/8 2 15/16 3	<b>UCFX15</b> UCFX15-213 UCFX15-214 UCFX15-215 UCFX15-300	<b>197</b> 7 3/4	<b>152</b> 5 63/64	<b>40</b> 1 37/64	<b>24</b> 15/16	<b>68</b> 2 11/16	<b>23</b> 29/32	<b>89.3</b> 3 33/64	<b>82.6</b> 3.2520
<b>80</b> 3 1/16 3 1/8 3 3/16 3 1/4	<b>UCFX16</b> UCFX16-301 UCFX16-302 UCFX16-303 UCFX16-304	<b>214</b> 8 7/16	<b>171</b> 6 47/64	<b>40</b> 1 37/64	<b>24</b> 15/16	<b>70</b> 2 3/4	<b>23</b> 29/32	<b>91.6</b> 3 39/64	<b>85.7</b> 3.3740
<b>85</b> 3 5/16 3 7/16	<b>UCFX17</b> UCFX17-305 UCFX17-307	<b>214</b> 8 7/16	<b>171</b> 6 47/64	<b>40</b> 1 37/64	<b>24</b> 15/16	<b>70</b> 2 3/4	<b>23</b> 29/32	<b>96.3</b> 3 51/64	<b>96</b> 3.7795
<b>90</b> 3 7/16 3 1/2	<b>UCFX18</b> UCFX18-307 UCFX18-308	<b>214</b> 8 7/16	<b>171</b> 6 47/64	<b>45</b> 1 49/64	<b>24</b> 15/16	<b>76</b> 3	<b>23</b> 29/32	<b>106.1</b> 4 11/64	<b>104</b> 4.0945
<b>100</b> 3 13/16 3 7/8 3 15/16 4	<b>UCFX20</b> UCFX20-313 UCFX20-314 UCFX20-315 UCFX20-400	<b>268</b> 10 9/16	<b>211</b> 8 5/16	<b>59</b> 2 21/64	<b>31</b> 1 7/32	<b>97</b> 3 13/16	<b>31</b> 1 7/32	<b>127.3</b> 5 1/64	<b>117.5</b> 4.6260



# Flanged Unit Cast Housing (4 Bolt - Square)

	Bolt Size	Bearing Number	Housing Number	Mass
<b>S</b>	mm inch			UCF kg/lbs
<b>25.4</b> 1.000	<b>M16</b> 5/8	<b>UCX12</b> UCX12-206 UCX12-207	<b>FX12</b> FX12 FX12	<b>5.2</b> 11
<b>30.2</b> 1.189	<b>M16</b> 5/8	<b>UCX13</b> UCX13-208 UCX13-209	<b>FX13</b> FX13 FX13	<b>5.3</b> 12
<b>33.3</b> 1.311	<b>M20</b> 3/4	<b>UCX14</b> UCX14-210 UCX14-211 UCX14-212	<b>FX14</b> FX14 FX14 FX14	<b>7.3</b> 16
<b>33.3</b> 1.311	<b>M20</b> 3/4	<b>UCX15</b> UCX15-213 UCX15-214 UCX15-215 UCX15-300	<b>FX15</b> FX15 FX15 FX15 FX15	<b>8.1</b> 18
<b>34.1</b> 1.343	<b>M20</b> 3/4	<b>UCX16</b> UCX16-301 UCX16-302 UCX16-303 UCX16-304	<b>FX16</b> FX16 FX16 FX16 FX16	<b>9.9</b> 22
<b>39.7</b> 1.563	<b>M20</b> 3/4	<b>UCX17</b> UCX17-305 UCX17-307	<b>FX17</b> FX17 FX17	<b>11</b> 24
<b>42.9</b> 1.689	<b>M20</b> 3/4	<b>UCX18</b> UCX18-307 UCX18-308	<b>FX18</b> FX18 FX18	<b>11</b> 24
<b>49.2</b> 1.937	<b>M27</b> 1	<b>UCX20</b> UCX20-313 UCX20-314 UCX20-315 UCX20-400	<b>FX20</b> FX20 FX20 FX20 FX20	<b>17</b> 37

2.02

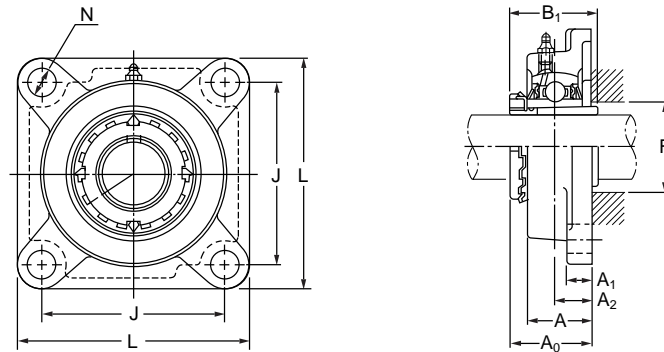
2.02



# Flanged Unit Cast Housing (4 Bolt - Square)



■ Set Screw Type - UCF 300 Series



Shaft Dia.	Unit Number	Basic Dimensions							
		mm		inch		mm		inch	
mm inch		L	J	A <sub>2</sub>	A <sub>1</sub>	A	N	A <sub>0</sub>	B
<b>25</b>	<b>UCF305</b>	<b>110</b>	<b>80</b>	<b>16</b>	<b>13</b>	<b>29</b>	<b>16</b>	<b>39</b>	<b>38</b>
13/16	UCF305-013								
7/8	UCF305-014	4 11/32	3 5/32	5/8	1/2	1 5/32	5/8	1 17/32	1.4961
15/16	UCF305-015								
1	UCF305-100								
<b>30</b>	<b>UCF306</b>	<b>125</b>	<b>95</b>	<b>18</b>	<b>15</b>	<b>32</b>	<b>16</b>	<b>44</b>	<b>43</b>
1 1/16	UCF306-101								
1 1/8	UCF306-102	4 29/32	3 47/64	45/64	19/32	1 1/4	5/8	1 47/64	1.6929
1 3/16	UCF306-103								
<b>35</b>	<b>UCF307</b>	<b>135</b>	<b>100</b>	<b>20</b>	<b>16</b>	<b>36</b>	<b>19</b>	<b>49</b>	<b>48</b>
1 1/4	UCF307-104								
1 5/16	UCF307-105	5 5/16	3 15/16	25/32	5/8	1 13/32	3/4	1 59/64	1.8898
1 3/8	UCF307-106								
1 7/16	UCF307-107								
<b>40</b>	<b>UCF308</b>	<b>150</b>	<b>112</b>	<b>23</b>	<b>17</b>	<b>40</b>	<b>19</b>	<b>56</b>	<b>52</b>
1 1/2	UCF308-108								
1 9/16	UCF308-109	5 29/32	4 13/32	29/32	21/32	1 9/16	3/4	2 13/64	2.0472
<b>45</b>	<b>UCF309</b>	<b>160</b>	<b>125</b>	<b>25</b>	<b>18</b>	<b>44</b>	<b>19</b>	<b>60</b>	<b>57</b>
1 5/8	UCF309-110								
1 11/16	UCF309-111	6 5/16	4 59/64	63/64	23/32	1 23/32	3/4	2 23/64	2.2441
1 3/4	UCF309-112								
<b>50</b>	<b>UCF310</b>	<b>175</b>	<b>132</b>	<b>28</b>	<b>19</b>	<b>48</b>	<b>23</b>	<b>67</b>	<b>61</b>
1 13/16	UCF310-113								
1 7/8	UCF310-114	6 7/8	5 13/64	1 7/64	3/4	1 7/8	29/32	2 41/64	2.4016
1 15/16	UCF310-115								
<b>55</b>	<b>UCF311</b>	<b>185</b>	<b>140</b>	<b>30</b>	<b>20</b>	<b>52</b>	<b>23</b>	<b>71</b>	<b>66</b>
2	UCF311-200								
2 1/16	UCF311-201	7 9/32	5 33/64	1 3/16	25/32	2 1/16	29/32	2 51/64	2.5984
2 1/8	UCF311-202								
2 3/16	UCF311-203								



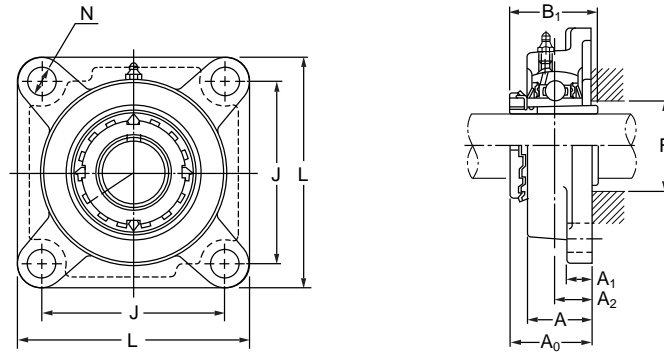
# Flanged Unit Cast Housing (4 Bolt - Square)

	Bolt Size	Bearing Number	Housing Number	Mass
S	mm inch			UCF kg/lbs
<b>15</b>	<b>M14</b>	<b>UC205</b>	<b>F305</b>	<b>1.1</b>
0.591	1/2	UC305-013	F305	2.4
		UC305-014	F305	
		UC305-015	F305	
		UC305-100	F305	
<b>17</b>	<b>M14</b>	<b>UC306</b>	<b>F306</b>	<b>1.6</b>
0.669	1/2	UC306-101	F306	3.5
		UC306-02	F306	
		UC306-103	F306	
<b>19</b>	<b>M16</b>	<b>UC307</b>	<b>F307</b>	<b>2.0</b>
0.748	5/8	UC307-104	F307	4.4
		UC307-105	F307	
		UC307-106	F307	
		UC307-107	F307	
<b>19</b>	<b>M16</b>	<b>UC308</b>	<b>F308</b>	<b>2.7</b>
0.748	5/8	UC308-108	F308	6.0
		UC308-109	F308	
<b>22</b>	<b>M16</b>	<b>UC309</b>	<b>F309</b>	<b>3.4</b>
0.866	5/8	UC309-110	F309	7.5
		UC309-111	F309	
		UC309-112	F309	
<b>22</b>	<b>M20</b>	<b>UC310</b>	<b>F310</b>	<b>4.5</b>
0.866	3/4	UC310-113	F310	9.9
		UC310-114	F310	
		UC310-115	F310	
<b>25</b>	<b>M20</b>	<b>UC311</b>	<b>F311</b>	<b>5.5</b>
0.984	3/4	UC311-200	F311	12
		UC311-201	F311	
		UC311-202	F311	
		UC311-203	F311	

# Flanged Unit Cast Housing (4 Bolt - Square)



■ Set Screw Type - UCF 300 Series



Shaft Dia.	Unit Number	Basic Dimensions							
		mm		inch		mm		inch	
mm inch		L	J	A <sub>2</sub>	A <sub>1</sub>	A	N	A <sub>0</sub>	B
<b>60</b>	<b>UCF312</b>	<b>195</b>	<b>150</b>	<b>33</b>	<b>22</b>	<b>56</b>	<b>23</b>	<b>78</b>	<b>71</b>
2 1/4	UCF312-204								
2 5/16	UCF312-205								
2 3/8	UCF312-206	7 11/16	5 29/32	1 19/64	7/8	2 7/32	29/32	3 5/64	2.7953
2 7/16	UCF312-207								
<b>65</b>	<b>UCF313</b>	<b>208</b>	<b>166</b>	<b>33</b>	<b>22</b>	<b>58</b>	<b>23</b>	<b>78</b>	<b>75</b>
2 1/2	UCF312-208								
2 9/16	UCF312-209	8 3/16	6 17/32	1 19/64	7/8	2 9/32	29/32	3 5/64	2.9528
<b>70</b>	<b>UCF314</b>	<b>226</b>	<b>178</b>	<b>36</b>	<b>25</b>	<b>61</b>	<b>25</b>	<b>81</b>	<b>78</b>
2 5/8	UCF314-210								
2 11/16	UCF314-211	8 29/32	6 1/64	1 27/64	31/32	2 13/32	63/64	3 3/16	3.0709
2 3/4	UCF314-212								
<b>75</b>	<b>UCF315</b>	<b>236</b>	<b>184</b>	<b>39</b>	<b>25</b>	<b>66</b>	<b>25</b>	<b>89</b>	<b>82</b>
2 13/16	UCF315-213								
2 7/8	UCF315-214								
2 15/16	UCF315-215	9 9/32	7 1/4	1 17/32	31/32	2 19/32	63/64	3 1/2	3.2283
3	UCF315-300								
<b>80</b>	<b>UCF316</b>	<b>250</b>	<b>196</b>	<b>38</b>	<b>27</b>	<b>68</b>	<b>31</b>	<b>90</b>	<b>86</b>
3 1/16	UCF316-301								
3 1/8	UCF316-302	9 27/32	7 23/32	1 1/2	1 1/16	2 11/16	1 7/32	3 35/64	3.3858
3 3/16	UCF316-303								
<b>85</b>	<b>UCF317</b>	<b>260</b>	<b>204</b>	<b>44</b>	<b>27</b>	<b>74</b>	<b>31</b>	<b>100</b>	<b>96</b>
3 1/4	UCF317-304								
3 5/16	UCF317-305	10 1/4	8 1/32	1 47/64	1 1/16	2 29/32	1 7/32	3 15/16	3.7795
3 7/16	UCF317-307								
<b>90</b>	<b>UCF318</b>	<b>280</b>	<b>216</b>	<b>44</b>	<b>30</b>	<b>76</b>	<b>35</b>	<b>100</b>	<b>96</b>
3 7/16	UCF318-307								
3 1/2	UCF318-308	11 1/32	8 1/2	1 47/64	1 3/16	3	1 3/8	3 15/16	3.7795
<b>95</b>	<b>UCF319</b>	<b>290</b>	<b>228</b>	<b>59</b>	<b>30</b>	<b>94</b>	<b>35</b>	<b>121</b>	<b>103</b>
3 5/8	UCF319-310								
3 11/16	UCF319-311	11 13/32	8 31/32	2 21/64	1 3/16	3 11/16	1 3/8	4 49/64	4.0551
3 3/4	UCF319-312								



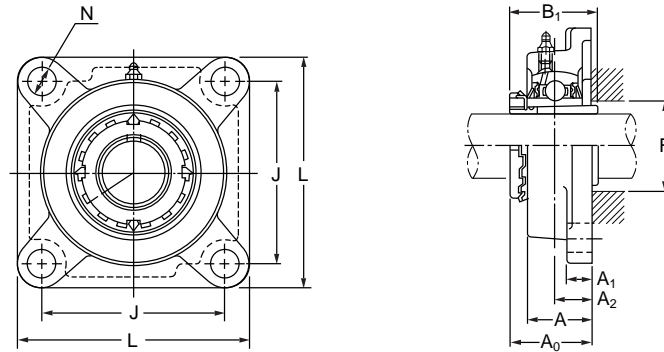
# Flanged Unit Cast Housing (4 Bolt - Square)

	Bolt Size	Bearing Number	Housing Number	Mass
S	mm inch			UCF kg/lbs
<b>26</b>	<b>M20</b>	<b>UC312</b>	<b>F312</b>	<b>6.5</b>
		UC312-204	F312	
1.024	3/4	UC312-205	F312	14
		UC312-206	F312	
		UC312-207	F312	
<b>30</b>	<b>M20</b>	<b>UC313</b>	<b>F313</b>	<b>7.9</b>
		UC313-208	F313	
1.181	3/4	UC313-209	F313	17
<b>33</b>	<b>M22</b>	<b>UC314</b>	<b>F314</b>	<b>9.5</b>
		UC314-210	F314	
1.299	7/8	UC314-211	F314	21
		UC314-212	F314	
<b>32</b>	<b>M22</b>	<b>UC315</b>	<b>F315</b>	<b>12</b>
		UC315-213	F315	
1.26	7/8	UC315-214	F315	26
		UC315-215	F315	
		UC315-300	F315	
<b>34</b>	<b>M27</b>	<b>UC316</b>	<b>F316</b>	<b>14</b>
		UC316-301	F316	
1.339	1	UC316-302	F316	31
		UC316-303	F316	
<b>40</b>	<b>M27</b>	<b>UC317</b>	<b>F317</b>	<b>16</b>
		UC317-304	F317	
1.575	1	UC317-305	F317	35
		UC317-307	F317	
<b>40</b>	<b>M30</b>	<b>UC318</b>	<b>F318</b>	<b>19</b>
		UC318-307	F318	
1.575	1 1/8	UC318-308	F318	42
<b>41</b>	<b>M300</b>	<b>UC319</b>	<b>F319</b>	<b>22</b>
		UC319-310	F319	
1.614	1 1/8	UC319-311	F319	49
		UC319-312	F319	

# Flanged Unit Cast Housing (4 Bolt - Square)



■ Set Screw Type - UCF 300 Series



Shaft Dia.	Unit Number	Basic Dimensions							
		mm		inch		mm		inch	
mm inch		L	J	A <sub>2</sub>	A <sub>1</sub>	A	N	A <sub>0</sub>	B
<b>100</b>	<b>UCF320</b>	<b>310</b>	<b>242</b>	<b>59</b>	<b>32</b>	<b>94</b>	<b>38</b>	<b>125</b>	<b>108</b>
3 13/16	UCF320-313								
3 7/8	UCF320-314								
3 15/16	UCF320-315	12 7/32	9 17/32	2 21/64	1 1/4	3 11/16	1 1/2	4 59/64	4.2520
4	UCF320-400								
<b>105</b>	<b>UCF321</b>	<b>310</b>	<b>242</b>	<b>59</b>	<b>32</b>	<b>94</b>	<b>38</b>	<b>127</b>	<b>112</b>
<b>110</b>	<b>UCF322</b>	<b>340</b>	<b>266</b>	<b>60</b>	<b>35</b>	<b>96</b>	<b>41</b>	<b>131</b>	<b>117</b>
<b>120</b>	<b>UCF324</b>	<b>370</b>	<b>290</b>	<b>65</b>	<b>40</b>	<b>110</b>	<b>41</b>	<b>140</b>	<b>126</b>
<b>130</b>	<b>UCF326</b>	<b>410</b>	<b>320</b>	<b>65</b>	<b>45</b>	<b>115</b>	<b>41</b>	<b>146</b>	<b>135</b>
<b>140</b>	<b>UCF328</b>	<b>450</b>	<b>350</b>	<b>75</b>	<b>55</b>	<b>125</b>	<b>41</b>	<b>161</b>	<b>145</b>



# Flanged Unit Cast Housing (4 Bolt - Square)

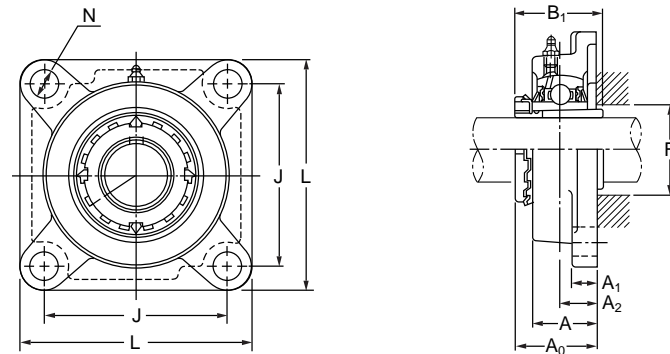
	Bolt Size	Bearing Number	Housing Number	Mass
S	mm inch			UCF kg/lbs
<b>42</b>	<b>M33</b>	<b>UC320</b>	<b>F320</b>	<b>26</b>
		UC320-313	F320	
1.654	1 1/4	UC320-314	F320	57
		UC320-315	F320	
		UC320-400	F320	
<b>44</b>	<b>M33</b>	<b>UC321</b>	<b>F321</b>	<b>27</b>
<b>46</b>	<b>M36</b>	<b>UC322</b>	<b>F322</b>	<b>38</b>
<b>51</b>	<b>M36</b>	<b>UC324</b>	<b>F324</b>	<b>50</b>
<b>54</b>	<b>M36</b>	<b>UC326</b>	<b>F326</b>	<b>66</b>
<b>59</b>	<b>M36</b>	<b>UC328</b>	<b>F328</b>	<b>90</b>



2.03

2.03

■ Taper Bored with Adapter Sleeve - UKF 200 Series



Shaft Dia. mm inch	Unit Number	Basic Dimensions							
		L	J	A <sub>2</sub>	A <sub>1</sub>	A	N	A <sub>0</sub>	B <sub>1</sub>
<b>20</b> 3/4	<b>UKF205 ; H2305</b> UKF205 ; HE2305	<b>95</b> 3 3/4	<b>70</b> 2 3/4	<b>16</b> 5/8	<b>14</b> 1/2	<b>27</b> 1 1/16	<b>12</b> 15/32	<b>35.5</b> 1 25/64	<b>35</b> 1.378
<b>25</b> 7/8 1	<b>UKF206 ; H2306</b> UKF206 ; HS2306 UKF206 ; HE2306	<b>108</b> 4 1/4	<b>83</b> 3 17/64	<b>18</b> 45/64	<b>14</b> 1/2	<b>31</b> 1 7/32	<b>12</b> 15/32	<b>39</b> 1 17/32	<b>38</b> 1.496
<b>30</b> 1 1/8	<b>UKF207 ; H2307</b> UKF207 ; HS2307	<b>117</b> 4 19/32	<b>92</b> 3 5/8	<b>19</b> 3/4	<b>16</b> 19/32	<b>34</b> 1 11/32	<b>14</b> 35/64	<b>42.5</b> 1 43/64	<b>43</b> 1.693
<b>35</b> 1 1/4 1 3/8	<b>UKF208 ; H2308</b> UKF208 ; HE2308 UKF208 ; HS2308	<b>130</b> 5 1/8	<b>102</b> 4 1/64	<b>21</b> 53/64	<b>16</b> 19/32	<b>36</b> 1 13/32	<b>16</b> 5/8	<b>46.5</b> 1 53/64	<b>46</b> 1.811
<b>40</b> 1 7/16 1 1/2 1 5/8	<b>UKF209 ; H2309</b> UKF209 ; HA2309 UKF209 ; HE2309 UKF209 ; HS2309	<b>137</b> 5 13/32	<b>105</b> 4 9/64	<b>22</b> 55/64	<b>18</b> 5/8	<b>38</b> 1 1/2	<b>16</b> 5/8	<b>48.5</b> 1 29/32	<b>50</b> 1.969
<b>45</b> 1 5/8 1 11/16 1 3/4	<b>UKF210 ; H2310</b> UKF210 ; HS2310 UKF210 ; HA2310 UKF210 ; HE2310	<b>143</b> 5 5/8	<b>111</b> 4 3/8	<b>22</b> 55/64	<b>18</b> 5/8	<b>40</b> 1 9/16	<b>16</b> 5/8	<b>50</b> 1 31/32	<b>55</b> 2.165
<b>50</b> 1 7/8 1 15/16 2	<b>UKF211 ; H2311</b> UKF211 ; HS2311 UKF211 ; HA2311 UKF211 ; HE2311	<b>162</b> 6 3/8	<b>130</b> 5 1/8	<b>25</b> 63/64	<b>20</b> 23/32	<b>43</b> 1 11/16	<b>19</b> 3/4	<b>54.5</b> 2 9/64	<b>59</b> 2.323
<b>55</b> 2 1/8	<b>UKF212 ; H2312</b> UKF212 ; HS2312	<b>175</b> 6 7/8	<b>143</b> 5 5/8	<b>29</b> 1 9/64	<b>20</b> 23/32	<b>48</b> 1 7/8	<b>19</b> 3/4	<b>61</b> 2 13/32	<b>62</b> 2.441
<b>60</b> 2 3/16 2 1/4 2 3/8	<b>UKF213 ; H2313</b> UKF213 ; HA2313 UKF213 ; HE2313 UKF213 ; HS2313	<b>187</b> 7 3/8	<b>149</b> 5 55/64	<b>30</b> 1 3/16	<b>22</b> 7/8	<b>50</b> 1 31/32	<b>19</b> 3/4	<b>64</b> 2 33/64	<b>65</b> 2.559
<b>65</b> 2 7/16 2 1/2	<b>UKF215 ; H2315</b> UKF215 ; HA2315 UKF215 ; HE2315	<b>200</b> 7 7/8	<b>159</b> 6 17/64	<b>34</b> 1 11/32	<b>22</b> 7/8	<b>56</b> 2 7/32	<b>19</b> 3/4	<b>71</b> 2 51/64	<b>73</b> 2.874

F	Bolt Size	Bearing Number	Housing Number	Mass
				UKF kg/lbs
<b>30</b> 1 3/16	<b>M10</b> 3/8	<b>UK205 ; H2305</b> UK205 ; HE2305	<b>F205</b> F205	<b>0.8</b> 1.8
<b>36</b> 1 13/32	<b>M10</b> 3/8	<b>UK206 ; H2306</b> UK206 ; HS2306 UK206 ; HE2306	<b>F206</b> F206 F206	<b>1.1</b> 2.4
<b>40</b> 1 9/16	<b>M12</b> 7/8	<b>UK207 ; H2307</b> UK207 ; HS2307	<b>F207</b> F207	<b>1.5</b> 3.3
<b>46</b> 1 13/16	<b>M14</b> 1/2	<b>UK208 ; H2308</b> UK208 ; HE2308 UK208 ; HS2308	<b>F208</b> F208 F208	<b>1.9</b> 4.2
<b>52</b> 2 1/16	<b>M14</b> 1/2	<b>UK209 ; H2309</b> UK209 ; HA2309 UK209 ; HE2309 UK209 ; HS2309	<b>F209</b> F209 F209 F209	<b>2.3</b> 5.1
<b>57</b> 2 1/4	<b>M14</b> 1/2	<b>UK210 ; H2310</b> UK210 ; HS2310 UK210 ; HA2310 UK210 ; HE2310	<b>F210</b> F210 F210 F210	<b>2.6</b> 5.7
<b>64</b> 2 17/32	<b>M16</b> 5/8	<b>UK211 ; H2311</b> UK211 ; HS2311 UK211 ; HA2311 UK211 ; HE2311	<b>F211</b> F211 F211 F211	<b>3.8</b> 8.4
<b>69</b> 2 23/32	<b>M16</b> 5/8	<b>UK212 ; H2312</b> UK212 ; HS2312	<b>F212</b> F212	<b>4.5</b> 9.9
<b>74</b> 2 29/32	<b>M16</b> 5/8	<b>UK213 ; H2313</b> UK213 ; HA2313 UK213 ; HE2313 UK213 ; HS2313	<b>F213</b> F213 F213 F213	<b>5.6</b> 12
<b>84</b> 3 5/16	<b>M16</b> 5/8	<b>UK215 ; H2315</b> UK215 ; HA2315 UK215 ; HE2315	<b>F215</b> F215 F215	<b>7.1</b> 16



2.04

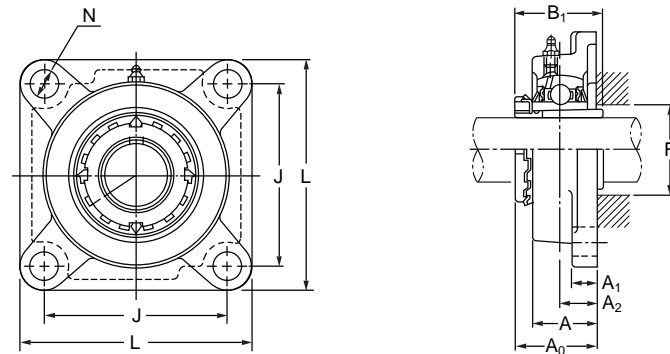
2.04



# Flanged Unit Cast Housing (4 Bolt - Square)



■ Taper Bored with Adapter Sleeve - UKF 200 Series



Shaft Dia.	Unit Number	Basic Dimensions							
		mm		inch		mm		inch	
mm		L	J	A <sub>2</sub>	A <sub>1</sub>	A	N	A <sub>0</sub>	B <sub>1</sub>
<b>70</b>	<b>UKF216 ; H2316</b>	<b>208</b>	<b>165</b>	<b>34</b>	<b>23</b>	<b>58</b>	<b>23</b>	<b>73.5</b>	<b>78</b>
2 11/16	UKF216 ; HA2316	8 3/16	6 1/2	1 11/32	7/8	2 9/32	29/32	2 57/64	3.071
2 3/4	UKF216 ; HE2316								
<b>75</b>	<b>UKF217 ; H2317</b>	<b>220</b>	<b>175</b>	<b>36</b>	<b>24</b>	<b>63</b>	<b>23</b>	<b>77</b>	<b>82</b>
2 15/16	UKF217 ; HA2317	8 21/32	6 57/64	1 27/64	15/16	2 15/32	29/32	3 1/32	3.228
3	UKF217 ; HE2317								
<b>80</b>	<b>UKF218 ; H2318</b>	<b>235</b>	<b>187</b>	<b>40</b>	<b>24</b>	<b>68</b>	<b>23</b>	<b>81.5</b>	<b>86</b>
3 3/16	UKF218 ; HA2318	9 1/4	7 23/64	1 37/64	15/16	2 11/16	29/32	3 13/64	3.386



# Flanged Unit Cast Housing (4 Bolt - Square)

	Bolt Size	Bearing Number	Housing Number	Mass
F	mm inch			UKF kg/lbs
<b>90</b>	<b>M20</b>	<b>UK216 ; H2316</b>	<b>F216</b>	<b>8.5</b>
3 17/32	3/4	UK216 ; HA2316 UK216 ; HE2316	F216 F216	19
<b>95</b>	<b>M20</b>	<b>UK217 ; H2317</b>	<b>F217</b>	<b>9.9</b>
3 3/4	3/4	UK217 ; HA2317 UK217 ; HE2317	F217 F217	22
<b>102</b>	<b>M20</b>	<b>UK218 ; H2318</b>	<b>F218</b>	<b>12</b>
4 1/32	3/4	UK218 ; HA2318	F218	26



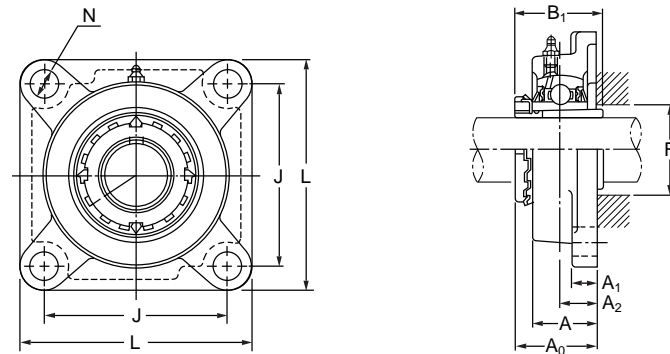
2.04

2.04

# Flanged Unit Cast Housing (4 Bolt - Square)



■ Taper Bored with Adapter Sleeve - UKFX Series



Shaft Dia.	Unit Number	Basic Dimensions							
		mm		inch					
mm inch		L	J	A <sub>2</sub>	A <sub>1</sub>	A	N	A <sub>0</sub>	B <sub>1</sub>
<b>20</b>	<b>UKFX05 ; H2305</b>	<b>108</b>	<b>83</b>	<b>18</b>	<b>13</b>	<b>30</b>	<b>12</b>	<b>39</b>	<b>35</b>
3/4	UKFX05 ; HE2305	4 1/4	3 17/64	45/64	1/2	1 3/16	15/32	1 17/32	1.378
<b>25</b>	<b>UKFX06 ; H2306</b>	<b>117</b>	<b>92</b>	<b>19</b>	<b>14</b>	<b>34</b>	<b>16</b>	<b>41.5</b>	<b>38</b>
7/8	UKFX06 ; HS2306	4 19/32	3 5/8	3/4	9/16	1 11/32	5/8	1 41/64	1.496
1	UKFX06 ; HE2306								
<b>30</b>	<b>UKFX07 ; H2307</b>	<b>130</b>	<b>102</b>	<b>21</b>	<b>14</b>	<b>38</b>	<b>16</b>	<b>45.5</b>	<b>43</b>
1 1/8	UKFX07 ; HS2307	5 1/8	4 1/64	53/64	9/16	1 1/2	5/8	1 51/64	1.693
<b>35</b>	<b>UKFX08 ; H2308</b>	<b>137</b>	<b>105</b>	<b>22</b>	<b>14</b>	<b>40</b>	<b>19</b>	<b>47.5</b>	<b>46</b>
1 1/4	UKFX08 ; HE2308	5 13/32	4 9/64	55/64	9/16	1 9/16	3/4	1 7/8	1.811
1 3/8	UKFX08 ; HS2308								
<b>40</b>	<b>UKFX09 ; H2309</b>	<b>143</b>	<b>111</b>	<b>23</b>	<b>14</b>	<b>40</b>	<b>19</b>	<b>50</b>	<b>50</b>
1 7/16	UKFX09 ; HA2309								
1 1/2	UKFX09 ; HE2309	5 5/8	4 3/8	29/32	9/16	1 9/16	3/4	1 31/32	1.969
1 5/8	UKFX09 ; HS2309								
<b>45</b>	<b>UKFX10 ; H2310</b>	<b>162</b>	<b>130</b>	<b>26</b>	<b>20</b>	<b>44</b>	<b>19</b>	<b>55.5</b>	<b>55</b>
1 5/8	UKFX10 ; HS2310								
1 11/16	UKFX10 ; HA2310	6 3/8	5 1/8	1 1/32	25/32	1 23/32	3/4	2 3/16	2.165
1 3/4	UKFX10 ; HE2310								
<b>50</b>	<b>UKFX11 ; H2311</b>	<b>175</b>	<b>143</b>	<b>29</b>	<b>20</b>	<b>49</b>	<b>19</b>	<b>60</b>	<b>59</b>
1 7/8	UKFX11 ; HS2311								
1 15/16	UKFX11 ; HA2311	6 7/8	5 5/8	1 9/64	25/32	1 15/16	3/4	2 23/64	2.323
2	UKFX11 ; HE2311								
<b>55</b>	<b>UKFX12 ; H2312</b>	<b>187</b>	<b>149</b>	<b>34</b>	<b>21</b>	<b>59</b>	<b>19</b>	<b>66</b>	<b>62</b>
2 1/8	UKFX12 ; HS2312	7 3/8	5 55/64	1 11/32	13/16	2 5/16	3/4	2 19/32	2.441
<b>60</b>	<b>UKFX13 ; H2313</b>	<b>187</b>	<b>149</b>	<b>34</b>	<b>21</b>	<b>59</b>	<b>19</b>	<b>70</b>	<b>65</b>
2 3/16	UKFX13 ; HA2313								
2 1/4	UKFX13 ; HE2313	7 3/8	5 55/64	1 11/32	13/16	2 5/16	3/4	2 3/4	2.559
2 3/8	UKFX13 ; HS2313								
<b>65</b>	<b>UKFX15 ; H2315</b>	<b>197</b>	<b>152</b>	<b>40</b>	<b>24</b>	<b>68</b>	<b>23</b>	<b>77.5</b>	<b>73</b>
2 7/16	UKFX15 ; HA2315								
2 1/2	UKFX15 ; HE2315	7 3/4	5 63/64	1 37/64	15/16	2 11/16	29/32	3 3/64	2.874



# Flanged Unit Cast Housing (4 Bolt - Square)

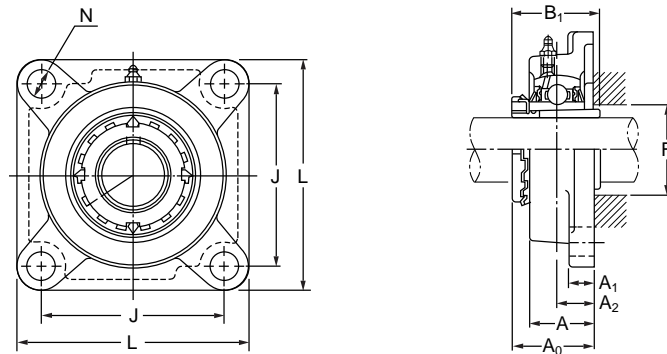
	Bolt Size	Bearing Number	Housing Number	Mass
F	mm inch			kg/lbs
<b>30</b>	<b>M10</b>	<b>UKX05 ; H2305</b>	<b>FX05</b>	<b>1.0</b>
1 3/16	3/8	UKX05 ; HE2305	FX05	2.2
<b>36</b>	<b>M14</b>	<b>UKX06 ; H2306</b>	<b>FX06</b>	<b>1.6</b>
1 13/32	1/2	UKX06 ; HS2306	FX06	3.5
		UKX06 ; HE2306	FX06	
<b>40</b>	<b>M14</b>	<b>UKX07 ; H2307</b>	<b>FX07</b>	<b>2.0</b>
1 9/16	1/2	UKX07 ; HS2307	FX07	4.4
<b>46</b>	<b>M16</b>	<b>UKX08 ; H2308</b>	<b>FX08</b>	<b>2.4</b>
1 13/16	5/8	UKX08 ; HE2308	FX08	5.3
		UKX08 ; HS2308	FX08	
<b>52</b>	<b>M16</b>	<b>UKX09 ; H2309</b>	<b>FX09</b>	<b>2.5</b>
		UKX09 ; HA2309	FX09	
2 1/16	5/8	UKX09 ; HE2309	FX09	5.5
		UKX09 ; HS2309	FX09	
<b>57</b>	<b>M16</b>	<b>UKX10 ; H2310</b>	<b>FX10</b>	<b>3.8</b>
		UKX10 ; HS2310	FX10	
2 1/4	5/8	UKX10 ; HA2310	FX10	8.4
		UKX10 ; HE2310	FX10	
<b>64</b>	<b>M16</b>	<b>UKX11 ; H2311</b>	<b>FX11</b>	<b>4.6</b>
		UKX11 ; HS2311	FX11	
2 17/32	5/8	UKX11 ; HA2311	FX11	10
		UKX11 ; HE2311	FX11	
<b>69</b>	<b>M16</b>	<b>UKX12 ; H2312</b>	<b>FX12</b>	<b>5.0</b>
2 23/32	5/8	UKX12 ; HS2312	FX12	11
<b>74</b>	<b>M16</b>	<b>UKX13 ; H2313</b>	<b>FX13</b>	<b>5.0</b>
		UKX13 ; HA2313	FX13	
2 29/32	5/8	UKX13 ; HE2313	FX13	11
		UKX13 ; HS2313	FX13	
<b>84</b>	<b>M20</b>	<b>UKX15 ; H2315</b>	<b>FX15</b>	<b>8.2</b>
		UKX15 ; HA2315	FX15	
3 5/16	3/4	UKX15 ; HE2315	FX15	18



# Flanged Unit Cast Housing (4 Bolt - Square)



■ Taper Bored with Adapter Sleeve - UKFX Series



Shaft Dia.	Unit Number	Basic Dimensions							
		mm		mm		inch		mm	
mm		L	J	A <sub>2</sub>	A <sub>1</sub>	A	N	A <sub>0</sub>	B <sub>1</sub>
<b>70</b>	<b>UKFX16 ; H2316</b>	<b>214</b>	<b>171</b>	<b>40</b>	<b>24</b>	<b>70</b>	<b>23</b>	<b>80</b>	<b>78</b>
2 11/16	UKFX16 ; HA2316	8 7/16	6 47/64	1 37/64	15/16	2 3/4	29/32	3 5/32	3.071
2 3/4	UKFX16 ; HE2316								
<b>75</b>	<b>UKFX17 ; H2317</b>	<b>214</b>	<b>171</b>	<b>40</b>	<b>24</b>	<b>70</b>	<b>23</b>	<b>81.5</b>	<b>82</b>
2 15/16	UKFX17 ; HA2317	8 7/16	6 47/64	1 37/64	15/16	2 3/4	29/32	3 13/64	3.228
3	UKFX17 ; HE2317								
<b>80</b>	<b>UKFX18 ; H2318</b>	<b>214</b>	<b>171</b>	<b>45</b>	<b>24</b>	<b>76</b>	<b>23</b>	<b>90</b>	<b>86</b>
3 3/16	UKFX18 ; HA2318	8 7/16	6 47/64	1 49/64	15/16	3	29/32	3 35/64	3.386
<b>90</b>	<b>UKFX20 ; H2320</b>	<b>268</b>	<b>211</b>	<b>59</b>	<b>31</b>	<b>97</b>	<b>31</b>	<b>10.7.5</b>	<b>97</b>



# Flanged Unit Cast Housing (4 Bolt - Square)

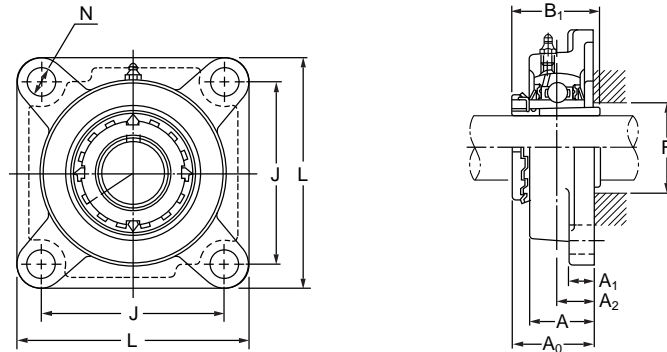
	Bolt Size	Bearing Number	Housing Number	Mass
F	mm			kg/lbs
inch	inch			
<b>90</b>	<b>M20</b>	<b>UKX16 ; H2316</b>	<b>FX16</b>	<b>10</b>
3 17/32	3/4	UKX16 ; HA2316	FX16	22
		UKX16 ; HE2316	FX16	
<b>95</b>	<b>M20</b>	<b>UKX17 ; H2317</b>	<b>FX17</b>	<b>11</b>
3 3/4	3/4	UKX17 ; HA2317	FX17	24
		UKX17 ; HE2317	FX17	
<b>102</b>	<b>M20</b>	<b>UKX18 ; H2318</b>	<b>FX18</b>	<b>11</b>
4 1/32	3/4	UKX18 ; HA2318	FX18	24
<b>112</b>	<b>M27</b>	<b>UKX20 ; H2320</b>	<b>FX20</b>	<b>15</b>



# Flanged Unit Cast Housing (4 Bolt - Square)



■ Taper Bored with Adapter Sleeve - UKF 300 Series



Shaft Dia.	Unit Number	Basic Dimensions							
		mm		inch					
mm inch		L	J	A <sub>2</sub>	A <sub>1</sub>	A	N	A <sub>0</sub>	B <sub>1</sub>
<b>20</b>	<b>UKF305 ; H2305</b>	<b>110</b>	<b>80</b>	<b>16</b>	<b>13</b>	<b>29</b>	<b>16</b>	<b>37</b>	<b>35</b>
3/4	UKF305 ; HE2305	4 11/32	3 5/32	5/8	1/2	1 5/32	5/8	1 29/64	1.378
<b>25</b>	<b>UKF306 ; H2306</b>	<b>125</b>	<b>95</b>	<b>18</b>	<b>15</b>	<b>32</b>	<b>16</b>	<b>40.5</b>	<b>38</b>
7/8	UKF306 ; HS2306	4 29/32	3 47/64	45/64	19/32	1 1/4	5/8	1 19/32	1.496
1	UKF306 ; HE2306								
<b>30</b>	<b>UKF307 ; H2307</b>	<b>135</b>	<b>100</b>	<b>20</b>	<b>16</b>	<b>36</b>	<b>19</b>	<b>45.5</b>	<b>43</b>
1 1/8	UKF307 ; HS2307	5 5/16	3 15/16	25/32	5/8	1 13/32	3/4	1 51/64	1.693
<b>35</b>	<b>UKF308 ; H2308</b>	<b>150</b>	<b>112</b>	<b>23</b>	<b>17</b>	<b>40</b>	<b>19</b>	<b>50</b>	<b>46</b>
1 1/4	UKF308 ; HE2308	5 29/32	4 13/32	29/32	21/32	1 9/16	3/4	1 31/32	1.811
1 3/8	UKF308 ; HS2308								
<b>40</b>	<b>UKF309 ; H2309</b>	<b>160</b>	<b>125</b>	<b>25</b>	<b>18</b>	<b>44</b>	<b>19</b>	<b>54.5</b>	<b>50</b>
1 7/16	UKF309 ; HA2309								
1 1/2	UKF309 ; HE2309	6 5/16	4 59/64	63/64	23/32	1 23/32	3/4	2 9/64	1.969
1 5/8	UKF309 ; HS2309								
<b>45</b>	<b>UKF310 ; H2310</b>	<b>175</b>	<b>132</b>	<b>28</b>	<b>19</b>	<b>48</b>	<b>23</b>	<b>60.5</b>	<b>55</b>
1 5/8	UKF310 ; HS2310								
1 11/16	UKF310 ; HA2310	6 7/8	5 13/64	1 7/64	3/4	1 7/8	29/32	2 3/8	2.165
1 3/4	UKF310 ; HE2310								
<b>50</b>	<b>UKF311 ; H2311</b>	<b>185</b>	<b>140</b>	<b>30</b>	<b>20</b>	<b>52</b>	<b>23</b>	<b>64</b>	<b>59</b>
1 7/8	UKF311 ; HS2311								
1 15/16	UKF311 ; HA2311	7 9/32	5 33/64	1 3/16	25/32	2 1/16	29/32	2 33/64	2.323
2	UKF311 ; HE2311								
<b>55</b>	<b>UKF312 ; H2312</b>	<b>195</b>	<b>150</b>	<b>33</b>	<b>22</b>	<b>56</b>	<b>23</b>	<b>69.5</b>	<b>62</b>
2 1/8	UKF312 ; HS2312	7 11/16	5 29/32	1 19/64	7/8	2 7/32	29/32	2 47/64	2.441
<b>60</b>	<b>UKF313 ; H2313</b>	<b>208</b>	<b>166</b>	<b>33</b>	<b>22</b>	<b>58</b>	<b>23</b>	<b>71.5</b>	<b>65</b>
2 3/16	UKF313 ; HA2313								
2 1/4	UKF313 ; HE2313	8 3/16	6 17/32	1 19/64	7/8	2 9/32	29/32	2 13/16	2.559
2 3/8	UKF313 ; HS2313								
<b>65</b>	<b>UKF315 ; H2315</b>	<b>236</b>	<b>184</b>	<b>39</b>	<b>25</b>	<b>66</b>	<b>25</b>	<b>81.5</b>	<b>73</b>
2 7/16	UKF315 ; HA2315								
2 1/2	UKF315 ; HE2315	9 9/32	7 1/4	1 17/32	31/32	2 19/32	63/64	3 13/64	2.874



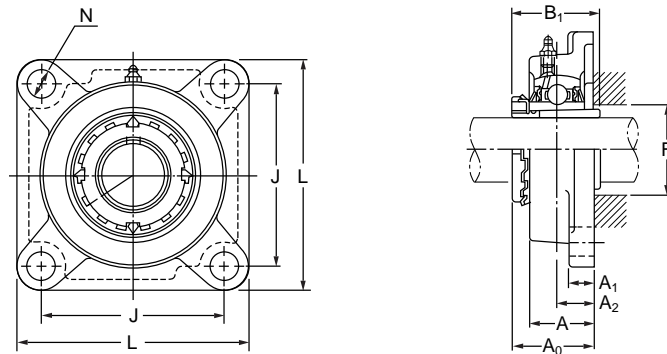
# Flanged Unit Cast Housing (4 Bolt - Square)

Bolt Size	Bearing Number	Housing Number	Mass
mm inch			UKF kg/lbs
<b>M14</b>	<b>UK305 ; H2305</b>	<b>F305</b>	<b>1.1</b>
1/2	UK305 ; HE2305	F305	2.4
<b>M14</b>	<b>UK306 ; H2306</b>	<b>F306</b>	<b>1.6</b>
1/2	UK306 ; HS2306	F306	3.5
	UK306 ; HE2306	F306	
<b>M16</b>	<b>UK307 ; H2307</b>	<b>F307</b>	<b>2.0</b>
5/8	UK307 ; HS2307	F307	4.4
<b>M16</b>	<b>UK308 ; H2308</b>	<b>F308</b>	<b>2.7</b>
5/8	UK308 ; HE2308	F308	6.0
	UK308 ; HS2308	F308	
<b>M16</b>	<b>UK309 ; H2309</b>	<b>F309</b>	<b>3.5</b>
	UK309 ; HA2309	F309	
5/8	UK309 ; HE2309	F309	7.7
	UK309 ; HS2309	F309	
<b>M20</b>	<b>UK310 ; H2310</b>	<b>F310</b>	<b>4.5</b>
	UK310 ; HS2310	F310	
3/4	UK310 ; HA2310	F310	9.9
	UK310 ; HE2310	F310	
<b>M20</b>	<b>UK311 ; H2311</b>	<b>F311</b>	<b>5.5</b>
	UK311 ; HS2311	F311	
3/4	UK311 ; HA2311	F311	12
	UK311 ; HE2311	F311	
<b>M20</b>	<b>UK312 ; H2312</b>	<b>F312</b>	<b>6.4</b>
3/4	UK312 ; HS2312	F312	14
<b>M20</b>	<b>UK313 ; H2313</b>	<b>F313</b>	<b>7.7</b>
	UK313 ; HA2313	F313	
3/4	UK313 ; HE2313	F313	22
	UK313 ; HS2313	F313	
<b>M22</b>	<b>UK315 ; H2315</b>	<b>F315</b>	<b>12</b>
	UK315 ; HA2315	F315	
7/8	UK315 ; HE2315	F315	26
	UK315 ; HS2315	F315	

# Flanged Unit Cast Housing (4 Bolt - Square)



■ Taper Bored with Adapter Sleeve - UKF 300 Series



Shaft Dia.	Unit Number	Basic Dimensions							
		mm		mm		inch		mm	
mm inch		L	J	A <sub>2</sub>	A <sub>1</sub>	A	N	A <sub>0</sub>	B <sub>1</sub>
<b>70</b>	<b>UKF316 ; H2316</b>	<b>250</b>	<b>196</b>	<b>38</b>	<b>27</b>	<b>68</b>	<b>31</b>	<b>84</b>	<b>78</b>
2 11/16	UKF316 ; HA2316	9 27/32	7 23/32	1 1/2	1 1/16	2 11/16	1 7/32	3 5/16	3.071
2 3/4	UKF316 ; HE2316								
<b>75</b>	<b>UKF317 ; H2317</b>	<b>260</b>	<b>204</b>	<b>44</b>	<b>27</b>	<b>74</b>	<b>31</b>	<b>92</b>	<b>82</b>
2 15/16	UKF317 ; HA2317	10 1/4	8 1/32	1 47/64	1 1/16	2 29/32	1 7/32	3 5/8	3.228
3	UKF317 ; HE2317								
<b>80</b>	<b>UKF318 ; H2318</b>	<b>280</b>	<b>216</b>	<b>44</b>	<b>30</b>	<b>76</b>	<b>35</b>	<b>94</b>	<b>86</b>
3 3/16	UKF318 ; HA2318	11 1/32	8 1/2	1 47/64	1 3/16	3	1 3/8	3 45/64	3.386
<b>85</b>	<b>UKF319 ; H2319</b>	<b>290</b>	<b>228</b>	<b>59</b>	<b>30</b>	<b>94</b>	<b>35</b>	<b>111.5</b>	<b>90</b>
3 1/4	UKF319 ; HE2319	11 13/32	8 31/32	2 21/64	1 3/16	3 11/16	1 3/8	4 25/64	3.543
<b>90</b>	<b>UKF320 ; H2320</b>	<b>310</b>	<b>242</b>	<b>59</b>	<b>32</b>	<b>94</b>	<b>38</b>	<b>115.5</b>	<b>97</b>
3 7/16	UKF320 ; HA2320	12 7/32	9 17/32	2 21/64	1 1/4	3 11/16	1 1/2	4 35/64	3.819
3 1/2	UKF320 ; HE2320								
<b>100</b>	<b>UKF322 ; H2322</b>	<b>340</b>	<b>266</b>	<b>60</b>	<b>35</b>	<b>96</b>	<b>41</b>	<b>121</b>	<b>105</b>
<b>110</b>	<b>UKF324 ; H2324</b>	<b>370</b>	<b>290</b>	<b>65</b>	<b>40</b>	<b>110</b>	<b>41</b>	<b>130</b>	<b>112</b>
<b>115</b>	<b>UKF326 ; H2326</b>	<b>410</b>	<b>320</b>	<b>65</b>	<b>45</b>	<b>115</b>	<b>41</b>	<b>133</b>	<b>121</b>
<b>125</b>	<b>UKF328 ; H2328</b>	<b>450</b>	<b>350</b>	<b>75</b>	<b>55</b>	<b>125</b>	<b>41</b>	<b>146.5</b>	<b>131</b>



# Flanged Unit Cast Housing (4 Bolt - Square)

2.06

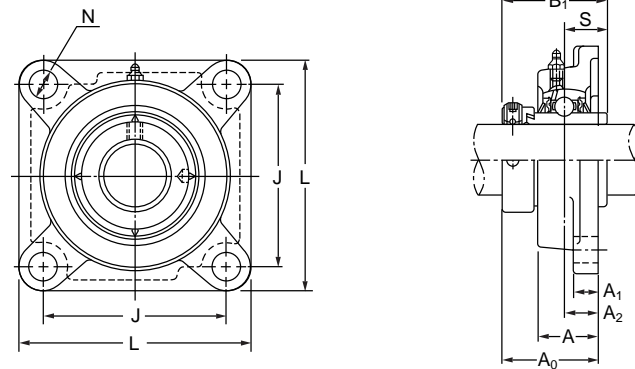
Bolt Size	Bearing Number	Housing Number	Mass
mm inch			UKF kg/lbs
<b>M27</b>	<b>UK316 ; H2316</b>	<b>F316</b>	<b>15</b>
1	UK316 ; HA2316	F316	33
	UK316 ; HE2316	F316	
<b>M27</b>	<b>UK317 ; H2317</b>	<b>F317</b>	<b>16</b>
1	UK317 ; HA2317	F317	35
	UK317 ; HE2317	F317	
<b>M30</b>	<b>UK318 ; H2318</b>	<b>F318</b>	<b>20</b>
1 1/8	UK318 ; HA2318	F318	44
<b>M30</b>	<b>UK319 ; H2319</b>	<b>F319</b>	<b>22</b>
1 1/8	UK319 ; HE2319	F319	49
<b>M33</b>	<b>UK320 ; H2320</b>	<b>F320</b>	<b>26</b>
1 1/4	UK320 ; HA2320	F320	57
	UK320 ; HE2320	F320	
<b>M36</b>	<b>UK322 ; H2322</b>	<b>F322</b>	<b>38</b>
<b>M36</b>	<b>UK324 ; H2324</b>	<b>F324</b>	<b>49</b>
<b>M36</b>	<b>UK326 ; H2326</b>	<b>F326</b>	<b>66</b>
<b>M36</b>	<b>UK328 ; H2328</b>	<b>F328</b>	<b>91</b>



# Flanged Unit Cast Housing (4 Bolt - Square)



■ Eccentric Locking Collar Type - UELF 200 Series



Shaft Dia.	Unit Number	Basic Dimensions							
		mm		inch		mm		inch	
mm inch		L	J	A <sub>2</sub>	A <sub>1</sub>	A	N	A <sub>0</sub>	B <sub>1</sub>
<b>20</b>	<b>UELF204</b>	<b>86</b>	<b>64</b>	<b>15</b>	<b>12</b>	<b>25.5</b>	<b>12</b>	<b>41.6</b>	<b>43.7</b>
3/4	UELF204-012	3 3/8	2 33/64	19/32	7/16	1	15/32	1 41/64	1.720
<b>25</b>	<b>UELF205</b>	<b>95</b>	<b>70</b>	<b>16</b>	<b>14</b>	<b>27</b>	<b>12</b>	<b>42.9</b>	<b>44.4</b>
13/16	UELF205-013	3 3/4	2 3/4	5/8	1/2	1 1/16	15/32	1 11/16	1.748
7/8	UELF205-014								
15/16	UELF205-015								
1	UELF205-100								
<b>30</b>	<b>UELF206</b>	<b>108</b>	<b>83</b>	<b>18</b>	<b>14</b>	<b>31</b>	<b>12</b>	<b>48.1</b>	<b>48.4</b>
1 1/16	UELF206-101	4 1/4	3 17/64	45/64	1/2	1 7/32	15/32	1 57/64	1.906
1 1/8	UELF206-102								
1 3/16	UELF206-103								
1 1/4	UELF206-104								
<b>35</b>	<b>UELF207</b>	<b>117</b>	<b>92</b>	<b>19</b>	<b>16</b>	<b>34</b>	<b>14</b>	<b>51.3</b>	<b>51.1</b>
1 1/4	UELF207-104	4 19/32	3 5/8	3/4	19/32	1 11/32	35/64	2 1/64	2.012
1 5/16	UELF207-105								
1 3/8	UELF207-106								
1 7/16	UELF207-107								
<b>40</b>	<b>UELF208</b>	<b>130</b>	<b>102</b>	<b>21</b>	<b>16</b>	<b>36</b>	<b>16</b>	<b>55.9</b>	<b>56.3</b>
1 1/2	UELF208-108	5 1/8	4 1/64	53/64	19/32	1 13/32	5/8	2 13/64	2.217
1 9/16	UELF208-109								
<b>45</b>	<b>UELF209</b>	<b>137</b>	<b>105</b>	<b>22</b>	<b>18</b>	<b>38</b>	<b>16</b>	<b>56.9</b>	<b>56.3</b>
1 5/8	UELF209-110	5 13/32	4 9/64	55/64	5/8	1 1/2	5/8	2 15/64	2.217
1 11/16	UELF209-111								
1 3/4	UELF209-112								
<b>50</b>	<b>UELF210</b>	<b>143</b>	<b>111</b>	<b>22</b>	<b>18</b>	<b>40</b>	<b>16</b>	<b>60.1</b>	<b>62.7</b>
1 13/16	UELF210-113	5 5/8	4 3/8	55/64	5/8	1 9/16	5/8	2 23/64	2.469
1 7/8	UELF210-114								
1 15/16	UELF210-115								
2	UELF210-200								



# Flanged Unit Cast Housing (4 Bolt - Square)

	Bolt Size	Bearing Number	Housing Number	Mass
S	mm inch			UCP kg/lbs
<b>17.1</b>	<b>M10</b>	<b>UEL204</b>	<b>F204</b>	<b>0.7</b>
0.673	3/8	UEL204-012	F204	1.5
<b>17.5</b>	<b>M10</b>	<b>UEL205</b>	<b>F205</b>	<b>0.8</b>
0.689	3/8	UEL205-013	F205	1.8
		UEL205-014	F205	
		UEL205-015	F205	
		UEL205-100	F205	
<b>18.3</b>	<b>M10</b>	<b>UEL206</b>	<b>F206</b>	<b>1.2</b>
0.720	3/8	UEL206-101	F206	2.6
		UEL206-102	F206	
		UEL206-103	F206	
		UEL206-104	F206	
<b>18.8</b>	<b>M12</b>	<b>UEL207</b>	<b>F207</b>	<b>1.6</b>
0.740	7/16	UEL207-104	F207	3.5
		UEL207-105	F207	
		UEL207-106	F207	
		UEL207-107	F207	
<b>21.4</b>	<b>M14</b>	<b>UEL208</b>	<b>F208</b>	<b>1.9</b>
0.843	1/2	UEL208-108	F208	4.2
		UEL208-109	F208	
<b>21.4</b>	<b>M14</b>	<b>UEL209</b>	<b>F209</b>	<b>2.3</b>
0.843	1/2	UEL209-110	F209	5.1
		UEL209-111	F209	
		UEL209-112	F209	
<b>24.6</b>	<b>M14</b>	<b>UEL210</b>	<b>F210</b>	<b>2.6</b>
0.969	1/2	UEL210-113	F210	5.7
		UEL210-114	F210	
		UEL210-115	F210	
		UEL210-200	F210	



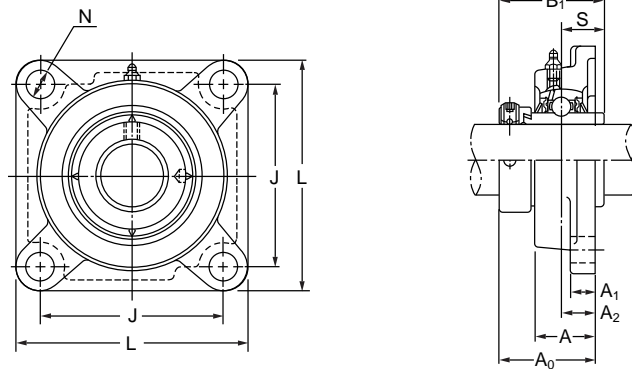
2.07

2.07

# Flanged Unit Cast Housing (4 Bolt - Square)



■ Eccentric Locking Collar Type - UELF 200 Series



Shaft Dia.	Unit Number	Basic Dimensions							
		mm		inch		mm		inch	
mm inch		L	J	A <sub>2</sub>	A <sub>1</sub>	A	N	A <sub>0</sub>	B <sub>1</sub>
<b>55</b>	<b>UELF211</b>	<b>162</b>	<b>130</b>	<b>25</b>	<b>20</b>	<b>43</b>	<b>19</b>	<b>68.6</b>	<b>71.4</b>
2	UELF211-200								
2 1/16	UELF211-201	6 3/8	5 1/8	63/64	23/32	1 11/16	3/4	2 45/64	2.811
2 1/8	UELF211-202								
2 3/16	UELF211-203								
<b>60</b>	<b>UELF212</b>	<b>175</b>	<b>143</b>	<b>29</b>	<b>20</b>	<b>48</b>	<b>19</b>	<b>75.8</b>	<b>77.8</b>
2 1/4	UELF212-204								
2 5/16	UELF212-205	6 7/8	5 5/8	1 9/64	23/32	1 7/8	3/4	2 63/64	3.063
2 3/8	UELF212-206								
2 7/16	UELF212-207								
<b>65</b>	<b>UELF213</b>	<b>187</b>	<b>149</b>	<b>30</b>	<b>22</b>	<b>50</b>	<b>19</b>	<b>81.55</b>	<b>85.7</b>
2 1/2	UELF213-208	7 3/8	5 55/64	1 3/16	7/8	1 31/32	3/4	3 31/16	3.374
2 9/16	UELF213-209								
<b>70</b>	<b>UELF214</b>	<b>193</b>	<b>152</b>	<b>31</b>	<b>22</b>	<b>54</b>	<b>19</b>	<b>82.55</b>	<b>85.7</b>
2 5/8	UELF214-210								
2 11/16	UELF214-211	7 19/32	5 63/64	1 7/32	7/8	2 1/8	3/4	3 1/4	3.374
2 3/4	UELF214-212								
<b>75</b>	<b>UELF215</b>	<b>200</b>	<b>159</b>	<b>34</b>	<b>22</b>	<b>56</b>	<b>19</b>	<b>88.7</b>	<b>92</b>
2 13/16	UELF215-213								
2 7/8	UELF215-214	7 7/8	6 17/64	1 11/32	7/8	2 7/32	3/4	3 31/64	3.622
2 15/16	UELF215-215								
3	UELF215-300								



# Flanged Unit Cast Housing (4 Bolt - Square)

2.07

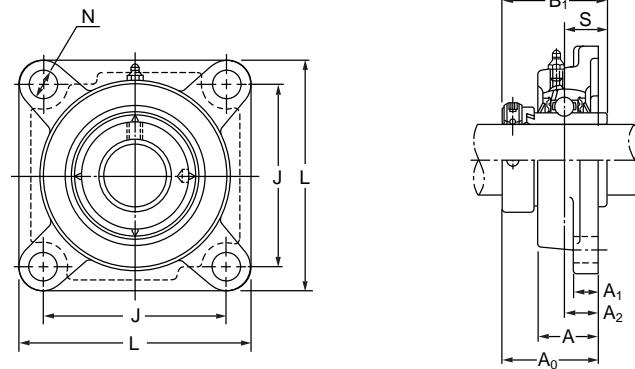
	Bolt Size	Bearing Number	Housing Number	Mass
S	mm inch			UCP kg/lbs
<b>27.8</b>	<b>M16</b>	<b>UEL211</b>	<b>F211</b>	<b>3.8</b>
1.094	5/8	UEL211-200	F211	8.4
		UEL211-201	F211	
		UEL211-202	F211	
		UEL211-203	F211	
<b>31</b>	<b>M16</b>	<b>UEL212</b>	<b>F212</b>	<b>4.8</b>
1.220	5/8	UEL212-204	F212	11
		UEL212-205	F212	
		UEL212-206	F212	
		UEL212-207	F212	
<b>34.15</b>	<b>M16</b>	<b>UEL213</b>	<b>F213</b>	<b>6.0</b>
1.344	5/8	UEL213-208	F213	13
		UEL213-209	F213	
<b>34.15</b>	<b>M16</b>	<b>UEL214</b>	<b>F214</b>	<b>6.3</b>
1.344	5/8	UEL214-210	F214	14
		UEL214-211	F214	
		UEL214-212	F214	
<b>37.3</b>	<b>M16</b>	<b>UEL215</b>	<b>F215</b>	<b>7.2</b>
1.469	5/8	UEL215-213	F215	16
		UEL215-214	F215	
		UEL215-215	F215	
		UEL215-300	F215	



# Flanged Unit Cast Housing (4 Bolt - Square)



■ Eccentric Locking Collar Type - UELF 300 Series



Shaft Dia.	Unit Number	Basic Dimensions							
		mm		inch		mm		inch	
mm inch		L	J	A <sub>2</sub>	A <sub>1</sub>	A	N	A <sub>0</sub>	B <sub>1</sub>
<b>25</b>	<b>UELF305</b>	<b>110</b>	<b>80</b>	<b>16</b>	<b>13</b>	<b>29</b>	<b>16</b>	<b>46.1</b>	<b>46.8</b>
13/16	UELF305-013								
7/8	UELF305-014	4 11/32	3 5/32	5/8	1/2	1 5/32	5/8	1 3/16	1.843
15/16	UELF305-015								
1	UELF305-100								
<b>30</b>	<b>UELF306</b>	<b>125</b>	<b>95</b>	<b>18</b>	<b>15</b>	<b>32</b>	<b>16</b>	<b>50.5</b>	<b>50</b>
1 1/16	UELF306-101								
1 1/8	UELF306-102	4 29/32	3 47/64	45/64	19/32	1 1/4	5/8	1 63/64	1.969
1 3/16	UELF306-103								
<b>35</b>	<b>UELF307</b>	<b>135</b>	<b>100</b>	<b>20</b>	<b>16</b>	<b>36</b>	<b>19</b>	<b>53.3</b>	<b>51.6</b>
1 1/4	UELF307-104								
1 5/16	UELF307-105	5 5/16	3 15/16	25/32	5/8	1 13/32	3/4	2 3/32	2.031
1 3/8	UELF307-106								
1 7/16	UELF307-107								
<b>40</b>	<b>UELF308</b>	<b>150</b>	<b>112</b>	<b>23</b>	<b>17</b>	<b>40</b>	<b>19</b>	<b>60.3</b>	<b>57.1</b>
1 1/2	UELF308-108								
1 9/16	UELF308-109	5 29/32	4 13/32	29/32	21/32	1 9/16	3/4	2 3/8	2.248
<b>45</b>	<b>UELF309</b>	<b>160</b>	<b>125</b>	<b>25</b>	<b>18</b>	<b>44</b>	<b>19</b>	<b>63.9</b>	<b>58.7</b>
1 5/8	UELF309-110								
1 11/16	UELF309-111	6 5/16	4 59/64	63/64	23/32	1 23/32	3/4	2 33/64	2.311
1 3/4	UELF309-112								
<b>50</b>	<b>UELF310</b>	<b>175</b>	<b>132</b>	<b>28</b>	<b>19</b>	<b>48</b>	<b>23</b>	<b>70</b>	<b>66.6</b>
1 13/16	UELF310-113								
1 7/8	UELF310-114	6 7/8	5 13/64	1 7/64	3/4	1 7/8	29/32	2 3/4	2.622
1 15/16	UELF310-115								
<b>55</b>	<b>UELF311</b>	<b>185</b>	<b>140</b>	<b>30</b>	<b>20</b>	<b>52</b>	<b>23</b>	<b>75.2</b>	<b>73</b>
2	UELF311-200								
2 1/16	UELF311-201	7 9/32	5 33/64	1 3/16	25/32	2 1/16	29/32	2 61/64	2.874
2 1/8	UELF311-202								
2 3/16	UELF311-203								



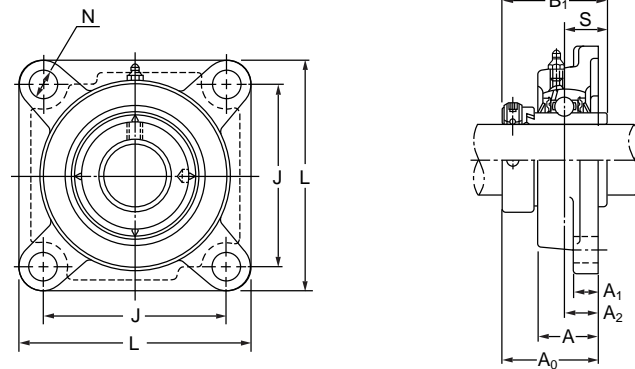
# Flanged Unit Cast Housing (4 Bolt - Square)

	Bolt Size	Bearing Number	Housing Number	Mass
S	mm inch			kg/lbs
<b>16.7</b>	<b>M14</b>	<b>UEL305</b>	<b>F305</b>	<b>1.2</b>
0.657	1/2	UEL305-013	F305	2.6
		UEL305-014	F305	
		UEL305-015	F305	
		UEL305-100	F305	
<b>17.5</b>	<b>M14</b>	<b>UEL306</b>	<b>F306</b>	<b>1.7</b>
0.689	1/2	UEL306-101	F306	3.7
		UEL306-102	F306	
		UEL306-103	F306	
<b>18.3</b>	<b>M16</b>	<b>UEL307</b>	<b>F307</b>	<b>2.0</b>
0.720	5/8	UEL307-104	F307	4.4
		UEL307-105	F307	
		UEL307-106	F307	
		UEL307-107	F307	
<b>19.8</b>	<b>M16</b>	<b>UEL308</b>	<b>F308</b>	<b>2.8</b>
0.780	5/8	UEL308-108	F308	6.2
		UEL308-109	F308	
<b>19.8</b>	<b>M16</b>	<b>UEL309</b>	<b>F309</b>	<b>3.6</b>
0.780	5/8	UELF309-110	F309	7.9
		UELF309-111	F309	
		UELF309-112	F309	
<b>24.6</b>	<b>M20</b>	<b>UEL310</b>	<b>F310</b>	<b>4.7</b>
0.969	3/4	UEL310-113	F310	10
		UEL310-114	F310	
		UEL310-115	F310	
<b>27.8</b>	<b>M20</b>	<b>UEL311</b>	<b>F311</b>	<b>5.7</b>
1.094	3/4	UEL311-200	F311	13
		UEL311-201	F311	
		UEL311-202	F311	
		UEL311-203	F311	

# Flanged Unit Cast Housing (4 Bolt - Round)



■ Eccentric Locking Collar Type - UELF 300 Series



Shaft Dia. mm inch	Unit Number	Basic Dimensions							
		L	J	A <sub>2</sub>	A <sub>1</sub>	A	N	A <sub>0</sub>	B <sub>1</sub>
<b>60</b>	<b>UELF312</b>	<b>195</b>	<b>150</b>	<b>33</b>	<b>22</b>	<b>56</b>	<b>23</b>	<b>81.45</b>	<b>79.4</b>
2 1/4	UELF312-204								
2 5/16	UELF312-205								
2 3/8	UELF312-206	7 11/16	5 29/32	1 19/64	7/8	2 7/32	29/32	3 13/64	3.126
2 7/16	UELF312-207								
<b>65</b>	<b>UELF313</b>	<b>208</b>	<b>166</b>	<b>33</b>	<b>22</b>	<b>58</b>	<b>23</b>	<b>86.15</b>	<b>85.7</b>
2 1/2	UELF313-208								
2 9/16	UELF313-209	8 3/16	6 17/32	1 19/64	7/8	2 9/32	29/32	3 25/64	3.374
<b>70</b>	<b>UELF314</b>	<b>226</b>	<b>178</b>	<b>36</b>	<b>25</b>	<b>61</b>	<b>25</b>	<b>93.95</b>	<b>92.1</b>
2 5/8	UELF314-210								
2 11/16	UELF314-211	8 29/32	6 1/64	1 27/64	31/32	2 13/32	63/64	3 45/64	3.626
2 3/4	UELF314-212								
<b>75</b>	<b>UELF315</b>	<b>236</b>	<b>184</b>	<b>39</b>	<b>25</b>	<b>66</b>	<b>25</b>	<b>101.7</b>	<b>100</b>
2 13/16	UELF315-213								
2 7/8	UELF315-214								
2 15/16	UELF315-215	9 9/32	7 1/4	1 17/32	31/32	2 19/32	63/64	4	3.937
3	UELF315-300								
<b>80</b>	<b>UELF316</b>	<b>250</b>	<b>196</b>	<b>38</b>	<b>27</b>	<b>68</b>	<b>31</b>	<b>103.9</b>	<b>106.4</b>
3 1/16	UELF316-301								
3 1/8	UELF316-302	9 27/32	7 23/32	1 1/2	1 1/16	2 11/16	1 7/32	4 3/32	4.189
3 3/16	UELF316-303								
<b>85</b>	<b>UELF317</b>	<b>260</b>	<b>204</b>	<b>44</b>	<b>27</b>	<b>74</b>	<b>31</b>	<b>111.45</b>	<b>109.5</b>
3 1/4	UELF317-304								
3 5/16	UELF317-305	10 1/4	8 1/32	1 47/64	1 1/16	2 29/32	1 7/32	4 25/64	4.311
3 7/16	UELF317-307								
<b>90</b>	<b>UELF318</b>	<b>280</b>	<b>216</b>	<b>44</b>	<b>30</b>	<b>76</b>	<b>35</b>	<b>116.25</b>	<b>115.9</b>
3 7/16	UELF318-307								
3 1/2	UELF318-308	11 1/32	8 1/2	1 47/64	1 3/16	3	1 3/8	4 37/64	4.563
<b>95</b>	<b>UELF319</b>	<b>290</b>	<b>228</b>	<b>59</b>	<b>30</b>	<b>94</b>	<b>35</b>	<b>142.4</b>	<b>122.3</b>
3 5/8	UELF319-310								
3 11/16	UELF319-311	11 13/32	8 31/32	2 21/64	1 3/16	3 11/16	1 3/8	5 39/64	4.815
3 3/4	UELF319-312								



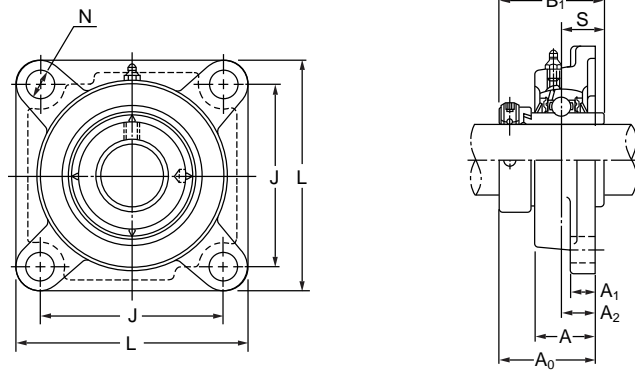
# Flanged Unit Cast Housing (4 Bolt - Round)

	Bolt Size	Bearing Number	Housing Number	Mass
S	mm inch			kg/lbs
<b>30.95</b>	<b>M20</b>	<b>UEL312</b>	<b>F312</b>	<b>6.8</b>
		UEL312-204	F312	
1.219	3/4	UEL312-205	F312	15
		UEL312-206	F312	
		UEL312-207	F312	
<b>32.55</b>	<b>M20</b>	<b>UEL313</b>	<b>F313</b>	<b>8.3</b>
		UEL313-208	F313	
1.281	3/4	UEL313-209	F313	18
<b>34.15</b>	<b>M22</b>	<b>UEL314</b>	<b>F314</b>	<b>10</b>
		UEL314-210	F314	
1.344	7/8	UEL314-211	F314	22
		UEL314-212	F314	
<b>37.3</b>	<b>M22</b>	<b>UEL315</b>	<b>F315</b>	<b>12</b>
		UEL315-213	F315	
1.469	7/8	UEL315-214	F315	26
		UEL315-215	F315	
		UEL315-300	F315	
<b>40.5</b>	<b>M27</b>	<b>UEL316</b>	<b>F316</b>	<b>16</b>
		UEL316-301	F316	
1.594	1	UEL316-302	F316	35
		UEL316-303	F316	
<b>42.05</b>	<b>M27</b>	<b>UEL317</b>	<b>F317</b>	<b>17</b>
		UEL317-304	F317	
1.656	1	UEL317-305	F317	37
		UEL317-307	F317	
<b>43.65</b>	<b>M30</b>	<b>UEL318</b>	<b>F318</b>	<b>21</b>
		UEL318-308	F318	
1.719	1 1/8	UEL318-308	F318	46
<b>38.9</b>	<b>M30</b>	<b>UEL319</b>	<b>F319</b>	<b>23</b>
		UEL319-310	F319	
1.531	1 1/8	UEL319-311	F319	51
		UEL319-312	F319	

# Flanged Unit Cast Housing (4 Bolt - Round)



■ Eccentric Locking Collar Type - UELF 300 Series



Shaft Dia.	Unit Number	Basic Dimensions							
		L		J	A <sub>2</sub>	A <sub>1</sub>	A	N	A <sub>0</sub>
mm inch		mm	inch	mm	inch	mm	inch	mm	inch
<b>100</b>	<b>UELF320</b>	<b>310</b>	<b>242</b>	<b>59</b>	<b>32</b>	<b>94</b>	<b>38</b>	<b>137.6</b>	<b>128.6</b>
3 13/16	UELF320-313								
3 7/8	UELF320-314	12 7/32	9 17/32	2 21/64	1 1/4	3 11/16	1 1/2	5 27/64	5.063
3 15/16	UELF320-315								
4	UELF320-400								
<b>105</b>	<b>UELF321</b>	<b>310</b>	<b>242</b>	<b>59</b>	<b>32</b>	<b>94</b>	<b>38</b>	<b>150.3</b>	<b>139.7</b>
<b>110</b>	<b>UELF322</b>	<b>340</b>	<b>266</b>	<b>60</b>	<b>35</b>	<b>96</b>	<b>41</b>	<b>152.1</b>	<b>141.3</b>



# Flanged Unit Cast Housing (4 Bolt - Round)

	Bolt Size	Bearing Number	Housing Number	Mass
S	mm inch			kg/lbs
<b>50</b>	<b>M33</b>	<b>UEL320</b>	<b>F320</b>	<b>28</b>
		UEL320-313	F320	
1.969	1 1/4	UEL320-314	F320	62
		UEL320-315	F320	
		UEL320-400	F320	
<b>48.4</b>	<b>M33</b>	<b>UEL321</b>	<b>F321</b>	<b>29</b>
<b>49.2</b>	<b>M36</b>	<b>UEL322</b>	<b>F322</b>	<b>40</b>

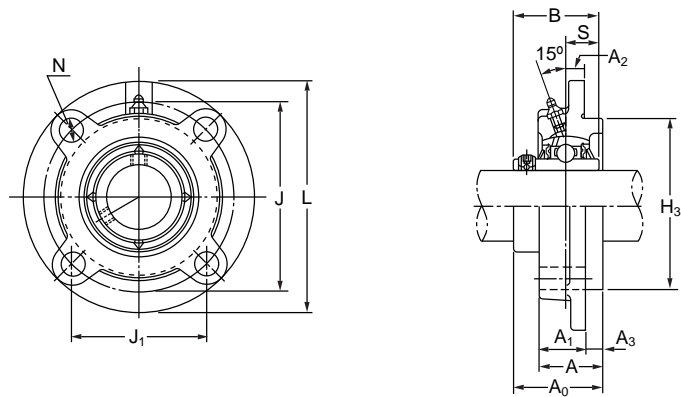
2.08

2.08

# Flanged Unit Cast Housing (4 Bolt - Round)



■ Set Screw Type - UCFC 200 Series



Shaft Dia.	Unit Number	Basic Dimensions								
		mm inch								
mm inch		L	J	J <sub>1</sub>	A <sub>2</sub>	N	A <sub>3</sub>	A <sub>1</sub>	A	H <sub>3</sub>
<b>12</b>	<b>UCFC201</b>	<b>100</b>	<b>78</b>	<b>55.1</b>	<b>10</b>	<b>12</b>	<b>5</b>	<b>20.5</b>	<b>25.5</b>	<b>62</b>
1/2	UCFC201-008	3 15/16	3 5/64	2 11/64	25/64	15/32	13/64	13/16	1	2.4409
<b>15</b>	<b>UCFC202</b>	<b>100</b>	<b>78</b>	<b>55.1</b>	<b>10</b>	<b>12</b>	<b>5</b>	<b>20.5</b>	<b>25.5</b>	<b>62</b>
9/16	UCFC202-009	3 15/16	3 5/64	2 11/64	25/64	15/32	13/64	13/16	1	2.4409
5/8	UCFC202-010	3 15/16	3 5/64	2 11/64	25/64	15/32	13/64	13/16	1	2.4409
<b>17</b>	<b>UCFC203</b>	<b>100</b>	<b>78</b>	<b>55.1</b>	<b>10</b>	<b>12</b>	<b>5</b>	<b>20.5</b>	<b>25.5</b>	<b>62</b>
11/16	UCFC203-011	3 15/16	3 5/64	2 11/64	25/64	15/32	13/64	13/16	1	2.4409
<b>20</b>	<b>UCFC204</b>	<b>100</b>	<b>78</b>	<b>55.1</b>	<b>10</b>	<b>12</b>	<b>5</b>	<b>20.5</b>	<b>25.5</b>	<b>62</b>
3/4	UCFC204-012	3 15/16	3 5/64	2 11/64	25/64	15/32	13/64	13/16	1	2.4409
<b>25</b>	<b>UCFC205</b>	<b>115</b>	<b>90</b>	<b>63.6</b>	<b>10</b>	<b>12</b>	<b>6</b>	<b>21</b>	<b>27</b>	<b>70</b>
13/16	UCFC205-013									
7/8	UCFC205-0149	4 17/32	3 35/64	2 1/2	25/64	15/32	15/64	13/16	1 1/16	2.7559
15/16	UCFC205-015									
1	UCFC205-100									
<b>30</b>	<b>UCFC206</b>	<b>125</b>	<b>100</b>	<b>70.7</b>	<b>10</b>	<b>12</b>	<b>8</b>	<b>23</b>	<b>31</b>	<b>80</b>
1 1/16	UCFC206-101									
1 1/8	UCFC206-1029	4 29/32	3 15/16	2 25/32	25/64	15/32	5/16	29/32	1 7/32	3.1496
1 3/16	UCFC206-103									
1 1/4	UCFC206-104									
<b>35</b>	<b>UCFC207</b>	<b>135</b>	<b>110</b>	<b>77.8</b>	<b>11</b>	<b>14</b>	<b>8</b>	<b>26</b>	<b>34</b>	<b>90</b>
1 1/4	UCFC207-104									
1 5/16	UCFC207-1059	5 5/16	4 21/64	3 1/16	7/16	35/64	5/16	1 1/32	1 11/32	3.5433
1 3/8	UCFC207-106									
1 7/16	UCFC207-107									
<b>40</b>	<b>UCFC208</b>	<b>145</b>	<b>120</b>	<b>84.8</b>	<b>11</b>	<b>14</b>	<b>10</b>	<b>26</b>	<b>36</b>	<b>100</b>
1 1/2	UCFC208-1089	5 23/32	4 23/32	3 11/32	7/16	35/64	25/64	1 1/32	1 27/64	3.9370
1 9/16	UCFC208-109									
<b>45</b>	<b>UCFC209</b>	<b>160</b>	<b>132</b>	<b>93.3</b>	<b>10</b>	<b>16</b>	<b>12</b>	<b>26</b>	<b>38</b>	<b>105</b>
1 5/8	UCFC209-110									
1 11/16	UCFC209-111	6 5/16	5 13/64	3 43/64	25/64	5/8	15/32	1 1/32	1 1/2	4.1339
1 3/4	UCFC209-112									



# Flanged Unit Cast Housing (4 Bolt - Round)

			Bolt Size	Bearing Number	Housing Number	Mass
A <sub>0</sub>	B	S	mm inch			UCFC kg/lbs
<b>33.3</b>	<b>31</b>	<b>12.7</b>	<b>M10</b>	<b>UC201</b>	<b>FC204</b>	<b>0.8</b>
1 15/16	1.2205	0.500	3/8	UC201-008	FC204	1.8
<b>33.3</b>	<b>31</b>	<b>12.7</b>	<b>M10</b>	<b>UC202</b>	<b>FC204</b>	<b>0.8</b>
1 15/16	1.2205	0.500	3/8	UC202-009 UC202-010	FC204 FC204	1.8
<b>33.3</b>	<b>31</b>	<b>12.7</b>	<b>M10</b>	<b>UC203</b>	<b>FC204</b>	<b>0.7</b>
1 15/16	1.2205	0.500	3/8	UC203-011	FC204	1.5
<b>33.3</b>	<b>31</b>	<b>12.7</b>	<b>M10</b>	<b>UC204</b>	<b>FC204</b>	<b>0.7</b>
1 15/16	1.2205	0.500	3/8	UC204-012	FC204	1.5
<b>35.8</b>	<b>34.1</b>	<b>14.3</b>	<b>M10</b>	<b>UC205</b>	<b>FC205</b>	<b>1.0</b>
				UC205-013	FC205	
1 13/32	1.3425	0.563	3/8	UC205-013 UC205-014 UC205-100	FC205 FC205 FC205	2.2
<b>40.2</b>	<b>38.1</b>	<b>15.9</b>	<b>M10</b>	<b>UC206</b>	<b>FC206</b>	<b>1.3</b>
				UC206-101	FC206	
1 37/64	1.5000	0.629	3/8	UC206-102 UC206-103 UC206-104	FC206 FC206 FC206	2.9
<b>44.4</b>	<b>42.9</b>	<b>17.5</b>	<b>M12</b>	<b>UC207</b>	<b>FC207</b>	<b>1.6</b>
				UC207-104	FC207	
1 3/4	1.6890	0.689	7/16	UC207-105 UC207-106 UC207-107	FC207 FC207 FC207	3.5
<b>51.2</b>	<b>49.2</b>	<b>19</b>	<b>M12</b>	<b>UC208</b>	<b>FC208</b>	<b>2.1</b>
				UC208-108	FC208	
2 1/64	1.9370	0.748	7/16	UC208-109	FC208	4.6
<b>52.2</b>	<b>49.2</b>	<b>19</b>	<b>M14</b>	<b>UC209</b>	<b>FC209</b>	<b>2.7</b>
				UC209-110	FC209	
2 3/64	1.9370	0.748	1/2	UC209-111 UC209-112	FC209 FC209	6.0

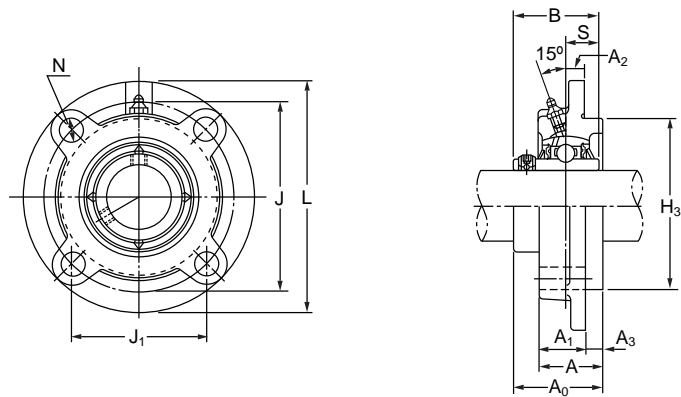
2.09

2.09

# Flanged Unit Cast Housing (4 Bolt - Round)



■ Set Screw Type - UCFC 200 Series



Shaft Dia.	Unit Number	Basic Dimensions								
		mm inch								
mm inch		L	J	J <sub>1</sub>	A <sub>2</sub>	N	A <sub>3</sub>	A <sub>1</sub>	A	H <sub>3</sub>
<b>50</b>	<b>UCFC210</b>	<b>165</b>	<b>138</b>	<b>97.6</b>	<b>10</b>	<b>16</b>	<b>12</b>	<b>28</b>	<b>40</b>	<b>110</b>
1 13/16	UCFC210-113									
1 7/8	UCFC210-1149									
1 15/16	UCFC210-115	6 1/2	5 7/16	3 27/32	25/64	5/8	15/32	1 3/32	1 37/64	4.3307
2	UCFC210-200									
<b>55</b>	<b>UCFC211</b>	<b>185</b>	<b>150</b>	<b>106.1</b>	<b>13</b>	<b>19</b>	<b>12</b>	<b>31</b>	<b>43</b>	<b>125</b>
2	UCFC211-200									
2 1/16	UCFC211-2019									
2 1/8	UCFC211-202	7 9/32	5 29/32	4 11/64	33/64	3/4	15/32	1 7/32	1 11/16	4.9213
2 3/16	UCFC211-203									
<b>60</b>	<b>UCFC212</b>	<b>195</b>	<b>160</b>	<b>113.1</b>	<b>17</b>	<b>19</b>	<b>12</b>	<b>36</b>	<b>48</b>	<b>135</b>
2 1/4	UCFC212-204									
2 5/16	UCFC212-2059									
2 3/8	UCFC212-206	7 11/16	6 19/64	4 29/64	43/64	3/4	15/32	1 13/32	1 57/64	5.3150
2 7/16	UCFC212-207									
<b>65</b>	<b>UCFC213</b>	<b>205</b>	<b>170</b>	<b>120.2</b>	<b>16</b>	<b>19</b>	<b>14</b>	<b>36</b>	<b>50</b>	<b>145</b>
2 1/2	UCFC213-2089									
2 9/16	UCFC213-209	8 1/16	6 11/16	4 47/64	5/8	3/4	35/64	1 13/32	1 31/32	5.7087
<b>70</b>	<b>UCFC214</b>	<b>215</b>	<b>177</b>	<b>125.1</b>	<b>17</b>	<b>19</b>	<b>14</b>	<b>40</b>	<b>54</b>	<b>150</b>
2 5/8	UCFC214-210									
2 11/16	UCFC214-211	8 15/32	6 31/32	4 59/64	43/64	3/4	35/64	1 37/64	2 1/8	5.9055
2 3/4	UCFC214-212									
<b>75</b>	<b>UCFC215</b>	<b>220</b>	<b>184</b>	<b>130.1</b>	<b>18</b>	<b>19</b>	<b>16</b>	<b>40</b>	<b>56</b>	<b>160</b>
2 13/16	UCFC215-213									
2 7/8	UCFC215-2149	8 21/32	7 1/4	5 1/8	45/64	3/4	5/8	1 37/64	2 13/64	6.2992
2 15/16	UCFC215-215									
3	UCFC215-300									
<b>80</b>	<b>UCFC216</b>	<b>240</b>	<b>200</b>	<b>141.4</b>	<b>18</b>	<b>23</b>	<b>16</b>	<b>42</b>	<b>58</b>	<b>170</b>
3 1/16	UCFC216-301									
3 1/8	UCFC216-302	9 7/16	7 7/8	5 9/16	45/64	29/32	5/8	1 21/32	2 9/32	6.6929
3 3/16	UCFC216-303									



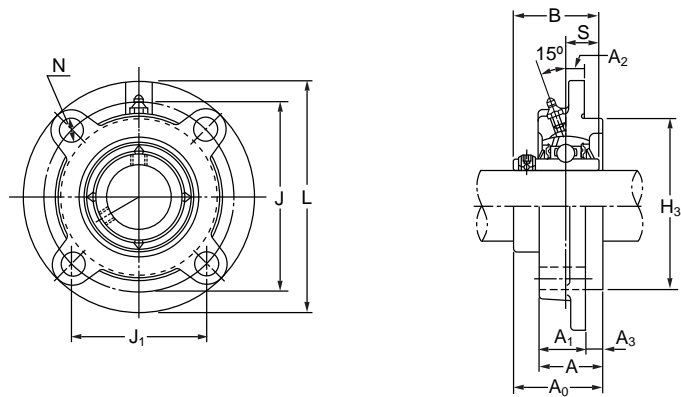
# Flanged Unit Cast Housing (4 Bolt - Round)

			Bolt Size	Bearing Number	Housing Number	Mass
A <sub>0</sub>	B	S	mm inch			UCFC kg/lbs
<b>54.6</b>	<b>51.6</b>	<b>19</b>	<b>M14</b>	<b>UC210</b>	<b>FC210</b>	<b>3.1</b>
				UC210-113	FC210	
				UC210-114	FC210	
2 5/32	2.0315	0.748	1/2	UC210-115	FC210	6.8
				UC210-200	FC210	
<b>58.4</b>	<b>55.6</b>	<b>22.2</b>	<b>M16</b>	<b>UC211</b>	<b>FC211</b>	<b>4.2</b>
				UC211-200	FC211	
2 19/64	2.189	0.874	5/8	UC211-201	FC211	9.3
				UC211-202	FC211	
				UC211-203	FC211	
<b>68.7</b>	<b>65.1</b>	<b>25.4</b>	<b>M16</b>	<b>UC212</b>	<b>FC212</b>	<b>5.3</b>
				UC212-204	FC212	
2 45/64	2.5630	1.000	5/8	UC212-205	FC212	12
				UC212-206	FC212	
				UC212-207	FC212	
<b>69.7</b>	<b>65.1</b>	<b>25.4</b>	<b>M16</b>	<b>UC213</b>	<b>FC213</b>	<b>6.0</b>
				UC213-208	FC213	
2 3/4	2.5630	1.000	5/8	UC213-209	FC213	13
<b>75.4</b>	<b>74.6</b>	<b>30.2</b>	<b>M16</b>	<b>UC214</b>	<b>FC214</b>	<b>7.0</b>
				UC214-210	FC214	
2 31/32	2.9370	1.189	5/8	UC214-211	FC214	15
				UC214-212	FC214	
<b>78.5</b>	<b>77.8</b>	<b>33.3</b>	<b>M16</b>	<b>UC215</b>	<b>FC215</b>	<b>7.8</b>
				UC215-213	FC215	
3 3/32	3.0630	1.311	5/8	UC215-214	FC215	17
				UC215-215	FC215	
				UC215-300	FC215	
<b>83.3</b>	<b>82.6</b>	<b>33.3</b>	<b>M20</b>	<b>UC216</b>	<b>FC216</b>	<b>9.3</b>
				UC216-301	FC216	
2 9/32	3.2520	1.311	3/4	UC216-302	FC216	21
				UC216-303	FC216	

# Flanged Unit Cast Housing (4 Bolt - Round)



■ Set Screw Type - UCFC 200 Series



Shaft Dia.	Unit Number	Basic Dimensions								
		mm		inch						
mm		L	J	J <sub>1</sub>	A <sub>2</sub>	N	A <sub>3</sub>	A <sub>1</sub>	A	H <sub>3</sub>
<b>85</b>	<b>UCFC217</b>	<b>250</b>	<b>208</b>	<b>147.1</b>	<b>18</b>	<b>23</b>	<b>18</b>	<b>45</b>	<b>63</b>	<b>180</b>
3 1/4	UCFC217-304									
3 5/16	UCFC217-305	9 27/32	8 3/16	5 51/64	45/64	29/32	45/64	1 25/32	2 31/64	7.0866
3 7/16	UCFC217-307									
<b>90</b>	<b>UCFC218</b>	<b>265</b>	<b>220</b>	<b>155.5</b>	<b>22</b>	<b>23</b>	<b>18</b>	<b>50</b>	<b>68</b>	<b>190</b>
3 1/2	UCFC218-308	10 7/16	8 21/32	6 1/8	55/64	29/32	45/64	1 31/32	2 43/64	7.4803



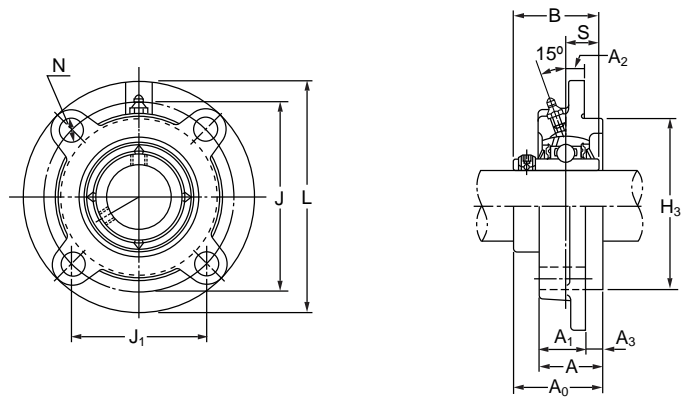
# Flanged Unit Cast Housing (4 Bolt - Round)

			Bolt Size	Bearing Number	Housing Number	Mass
A <sub>0</sub>	B	S	mm			UCFC
inch			inch			kg/lbs
<b>87.6</b>	<b>85.7</b>	<b>34.1</b>	<b>M20</b>	<b>UC217</b>	<b>FC217</b>	<b>11</b>
				UC217-304	FC217	
3 29/64	3.374	1.343	3/4	UC217-305	FC217	24
				UC217-307	FC217	
<b>96.3</b>	<b>96</b>	<b>39.7</b>	<b>M20</b>	<b>UC218</b>	<b>FC218</b>	<b>13</b>
3 51/64	3.7795	1.563	3/4	UC218-308	FC218	29

# Flanged Unit Cast Housing (4 Bolt - Round)



■ Set Screw Type - UCFCX Series



Shaft Dia.	Unit Number	Basic Dimensions								
		mm inch								
mm inch		L	J	J <sub>1</sub>	A <sub>2</sub>	N	A <sub>3</sub>	A <sub>1</sub>	A	H <sub>3</sub>
<b>25</b>	<b>UCFCX05</b>	<b>111</b>	<b>92</b>	<b>65</b>	<b>10</b>	<b>9.5</b>	<b>6</b>	<b>24</b>	<b>30</b>	<b>76</b>
13/16	UCFCX05-013									
7/8	UCFCX05-014	4 3/8	3 5/8	2 9/16	25 /64	3/8	1/4	15/16	1 3/16	2.9921
15/16	UCFCX05-015									
1	UCFCX05-100									
<b>30</b>	<b>UCFCX06</b>	<b>127</b>	<b>105</b>	<b>74.2</b>	<b>8</b>	<b>12</b>	<b>9.5</b>	<b>22.5</b>	<b>32</b>	<b>85</b>
1 1/16	UCFCX06-101									
1 1/8	UCFCX06-102	5	4 9/64	2 59/64	5/16	15/32	3/8	7/8	1 27/64	3.3465
1 3/16	UCFCX06-103									
1 1/4	UCFCX06-104									
<b>35</b>	<b>UCFCX07</b>	<b>133</b>	<b>111</b>	<b>78.5</b>	<b>9</b>	<b>12</b>	<b>11</b>	<b>26</b>	<b>37</b>	<b>92</b>
1 5/16	UCFCX07-105									
1 3/8	UCFCX07-106	5 1/4	4 3/8	3 3/32	23/64	15/32	7/16	1 1/32	1 29/64	3.6220
1 7/16	UCFCX07-107									
<b>40</b>	<b>UCFCX08</b>	<b>133</b>	<b>111</b>	<b>78.5</b>	<b>9</b>	<b>12</b>	<b>11</b>	<b>26</b>	<b>37</b>	<b>92</b>
1 1/2	UCFCX08-108									
1 9/16	UCFCX08-109	5 1/4	4 3/8	3 3/32	23/64	15/32	7/16	1 1/32	1 29/64	3.6220
<b>45</b>	<b>UCFCX09</b>	<b>155</b>	<b>130</b>	<b>91.9</b>	<b>8</b>	<b>14</b>	<b>12</b>	<b>25</b>	<b>37</b>	<b>108</b>
1 5/8	UCFCX09-110									
1 11/16	UCFCX09-111	6 3/32	5 1/8	3 5/8	5/16	35/64	15/32	31/32	1 29/64	4.2520
1 3/4	UCFCX09-112									
1 13/16	UCFCX09-113									
<b>50</b>	<b>UCFCX10</b>	<b>162</b>	<b>136</b>	<b>96.2</b>	<b>7</b>	<b>14</b>	<b>16</b>	<b>25</b>	<b>41</b>	<b>118</b>
1 7/8	UCFCX10-114									
1 15/16	UCFCX10-115	6 3/8	5 23/64	3 25/32	9/32	35/64	5/8	31/32	1 39/64	4.6457
2	UCFCX10-200									
<b>55</b>	<b>UCFCX11</b>	<b>180</b>	<b>152</b>	<b>107.5</b>	<b>4</b>	<b>16</b>	<b>22</b>	<b>26</b>	<b>48</b>	<b>127</b>
2 1/16	UCFCX11-201									
2 1/8	UCFCX11-202									
2 3/16	UCFCX11-203	7 3/32	5 63/64	4 15/64	5/32	5/8	55/64	1 1/32	1 57/64	5.0000
2 1/4	UCFCX11-204									
2 5/16	UCFCX11-205									



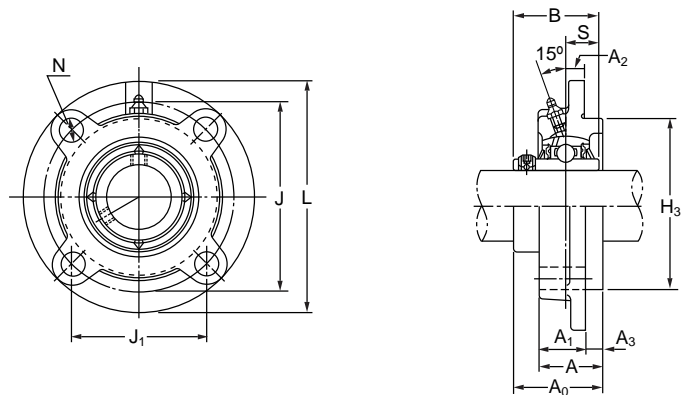
# Flanged Unit Cast Housing (4 Bolt - Round)

			Bolt Size	Bearing Number	Housing Number	Mass
A <sub>0</sub>	B	S	mm inch			kg/lbs
<b>38.2</b>	<b>38.1</b>	<b>15.9</b>	<b>M8</b>	<b>UCX05</b>	<b>FCX05</b>	<b>1.1</b>
				UCX05-013	FCX05	
1 1/2	1.5000	0.626	5/16	UCX05-014	FCX05	2.4
				UCX05-015	FCX05	
				UCX05-100	FCX05	
<b>42.9</b>	<b>42.9</b>	<b>17.5</b>	<b>M10</b>	<b>UCX06</b>	<b>FCX06</b>	<b>1.6</b>
				UCX06-101	FCX06	
1 11/16	1.6890	0.689	3/8	UCX06-102	FCX06	3.5
				UCX06-103	FCX06	
				UCX06-104	FCX06	
<b>50.2</b>	<b>49.2</b>	<b>19</b>	<b>M10</b>	<b>UCX07</b>	<b>FCX07</b>	<b>2.0</b>
				UCX07-105	FCX07	
1 31/32	1.9370	0.748	3/8	UCX07-106	FCX07	4.4
				UCX07-107	FCX07	
<b>50.2</b>	<b>49.2</b>	<b>19</b>	<b>M10</b>	<b>UCX08</b>	<b>FCX08</b>	<b>1.9</b>
				UCX08-108	FCX08	
1 31/32	1.9370	0.748	3/8	UCX08-109	FCX08	4.2
<b>52.6</b>	<b>51.6</b>	<b>19</b>	<b>M12</b>	<b>UCX09</b>	<b>FCX09</b>	<b>2.7</b>
				UCX09-110	FCX09	
2 5/64	2.0315	0.748	7/16	UCX09-111	FCX09	6.0
				UCX09-112	FCX09	
				UC210-113	FCX09	
<b>56.4</b>	<b>55.6</b>	<b>22.2</b>	<b>M12</b>	<b>UCX10</b>	<b>FCX10</b>	<b>3.2</b>
				UCX10-114	FCX10	
2 7/32	2.1890	0.874	7/16	UCX10-115	FCX10	7.1
				UC211-200	FCX10	
<b>65.7</b>	<b>65.1</b>	<b>25.4</b>	<b>M14</b>	<b>UCX11</b>	<b>FCX11</b>	<b>4.4</b>
				UCX11-201	FCX11	
				UCX11-202	FCX11	
2 19/32	2.5630	1.000	1/2	UCX11-203	FCX11	9.7
				UCX11-204	FCX11	
				UCX11-205	FCX11	

# Flanged Unit Cast Housing (4 Bolt - Round)



■ Set Screw Type - UCFCX Series



Shaft Dia. mm inch	Unit Number	Basic Dimensions								
		L	J	J <sub>1</sub>	A <sub>2</sub>	N	A <sub>3</sub>	A <sub>1</sub>	A	H <sub>3</sub>
<b>60</b> 2 3/8 2 7/16	<b>UCFCX12</b> UCFCX12-206 UCFCX12-207	<b>194</b> 7 5/8	<b>165</b> 6 1/2	<b>116.7</b> 4 19/32	<b>11</b> 7/16	<b>16</b> 5/8	<b>20</b> 25/32	<b>33</b> 1 5/16	<b>53</b> 2 5/64	<b>140</b> 5.5118
<b>65</b> 2 1/2 2 9/16	<b>UCFCX13</b> UCFCX13-208 UCFCX13-209	<b>194</b> 7 5/8	<b>165</b> 6 1/2	<b>116.7</b> 4 19/32	<b>11</b> 7/16	<b>16</b> 5/8	<b>20</b> 25/32	<b>33</b> 1 5/16	<b>53</b> 2 5/64	<b>140</b> 5.5118
<b>70</b> 2 5/8 2 11/16 2 3/4	<b>UCFCX14</b> UCFCX14-210 UCFCX14-211 UCFCX14-212	<b>222</b> 8 3/4	<b>190</b> 7 31/64	<b>134.3</b> 5 9/32	<b>14</b> 35/64	<b>19</b> 3/4	<b>20</b> 25/32	<b>36</b> 1 13/32	<b>56</b> 2 13/64	<b>164</b> 6.4567
<b>75</b> 2 13/16 2 7/8 2 15/16 3	<b>UCFCX15</b> UCFCX15-213 UCFCX15-214 UCFCX15-215 UCFCX15-300	<b>222</b> 8 3/4	<b>190</b> 7 31/64	<b>134.3</b> 5 9/32	<b>12</b> 15/32	<b>19</b> 3/4	<b>22</b> 55/64	<b>35</b> 1 3/8	<b>57</b> 2 1/4	<b>164</b> 6.4567
<b>80</b> 3 1/16 3 1/8 3 3/16 3 1/4	<b>UCFCX16</b> UCFCX16-301 UCFCX16-302 UCFCX16-303 UCFCX16-304	<b>260</b> 10 1/4	<b>219</b> 8 5/8	<b>154.8</b> 6 3/32	<b>10</b> 25/64	<b>23</b> 29/32	<b>25</b> 63/64	<b>36</b> 1 13/32	<b>61</b> 2 13/32	<b>186</b> 7.3228
<b>85</b> 3 5/16 3 7/16	<b>UCFCX17</b> UCFCX17-305 UCFCX17-307	<b>260</b> 10 1/4	<b>219</b> 8 5/8	<b>154.8</b> 6 3/32	<b>10</b> 25/64	<b>23</b> 29/32	<b>25</b> 63/64	<b>36</b> 1 13/32	<b>61</b> 2 13/32	<b>186</b> 7.3228
<b>90</b> 3 7/16 3 1/2	<b>UCFCX18</b> UCFCX18-307 UCFCX18-308	<b>260</b> 10 1/4	<b>219</b> 8 5/8	<b>154.8</b> 6 3/32	<b>12</b> 15/32	<b>23</b> 29/32	<b>28</b> 1 7/64	<b>43</b> 1 11/16	<b>71</b> 2 51/64	<b>186</b> 7.3228
<b>100</b> 3 13/16 3 7/8 3 15/16 4	<b>UCFCX20</b> UCFCX20-313 UCFCX20-314 UCFCX20-315 UCFCX20-400	<b>276</b> 10 7/8	<b>238</b> 9 3/8	<b>168.3</b> 6 5/8	<b>22</b> 55/64	<b>23</b> 29/32	<b>28</b> 1 7/64	<b>66</b> 2 19/32	<b>94</b> 3 45/64	<b>206</b> 8.1102



# Flanged Unit Cast Housing (4 Bolt - Round)

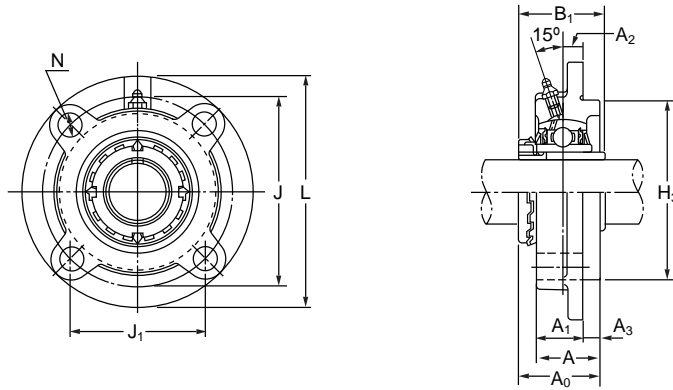
A <sub>0</sub>	B	S	Bolt Size mm inch	Bearing Number	Housing Number	Mass
						kg/lbs
<b>70.7</b> 2 25/32	<b>65.1</b> 2.5630	<b>25.4</b> 1.000	<b>M14</b> 1/2	<b>UCX12</b> UCX12-206 UCX12-207	<b>FCX12</b> FCX12 FCX12	<b>5.7</b> 13
<b>75.4</b> 2 31/32	<b>74.6</b> 2.9370	<b>30.2</b> 1.189	<b>M14</b> 1/2	<b>UCX13</b> UCX13-208 UCX13-209	<b>FCX13</b> FCX13 FCX13	<b>5.7</b> 13
<b>78.5</b> 3 3/32	<b>77.8</b> 3.0630	<b>33.3</b> 1.311	<b>M16</b> 5/8	<b>UCX14</b> UCX14-210 UCX14-211 UCX14-212	<b>FCX14</b> FCX14 FCX14 FCX14	<b>7.3</b> 16
<b>83.3</b> 3 9/32	<b>82.6</b> 3.2520	<b>33.3</b> 1.311	<b>M16</b> 5/8	<b>UCX15</b> UCX15-213 UCX15-214 UCX15-215 UCX15-300	<b>FCX15</b> FCX15 FCX15 FCX15 FCX15	<b>7.7</b> 17
<b>86.6</b> 3 13/32	<b>85.7</b> 3.3740	<b>34.1</b> 1.343	<b>M20</b> 3/4	<b>UCX16</b> UCX16-301 UCX16-302 UCX16-303 UCX16-304	<b>FCX16</b> FCX16 FCX16 FCX16 FCX16	<b>11</b> 24
<b>91.3</b> 3 19/32	<b>96</b> 3.7795	<b>39.7</b> 1.563	<b>M20</b> 3/4	<b>UCX17</b> UCX17-305 UCX17-307	<b>FCX17</b> FCX17 FCX17	<b>12</b> 26
<b>101.1</b> 3 63/64	<b>104</b> 4.0945	<b>42.9</b> 1.689	<b>M20</b> 3/4	<b>UCX18</b> UCX18-307 UCX18-308	<b>FCX18</b> FCX18 FCX18	<b>12</b> 26
<b>118.3</b> 4 21/32	<b>117.5</b> 4.6262	<b>49.2</b> 1.937	<b>M20</b> 3/4	<b>UCX20</b> UCX20-313 UCX20-314 UCX20-315 UCX20-400	<b>FCX20</b> FCX20 FCX20 FCX20 FCX20	<b>16</b> 35



# Flanged Unit Cast Housing (4 Bolt - Round)



■ Taper Bored with Adapter Sleeve - UKFC 200 Series



Shaft Dia.	Unit Number	Basic Dimensions							
		L	J	J <sub>1</sub>	A <sub>2</sub>	N	A <sub>3</sub>	A <sub>1</sub>	A
20	<b>UKFC205 ; H2305</b>	<b>115</b>	<b>90</b>	<b>63.6</b>	<b>10</b>	<b>12</b>	<b>6</b>	<b>21</b>	<b>27</b>
3/4	UKFC205 ; HE2305	4 17/32	3 35/64	2 1/2	25/64	15/32	15/64	13/16	1 1/16
25	<b>UKFC206 ; H2306</b>	<b>125</b>	<b>100</b>	<b>70.7</b>	<b>10</b>	<b>12</b>	<b>8</b>	<b>23</b>	<b>31</b>
7/8	UKFC206 ; HS2306	4 29/32	3 15/16	2 25/32	25/64	15/32	5/16	29/32	1 7/32
1	UKFC206 ; HE2306								
30	<b>UKFC207 ; H2307</b>	<b>135</b>	<b>110</b>	<b>77.8</b>	<b>11</b>	<b>14</b>	<b>8</b>	<b>26</b>	<b>34</b>
1 1/8	UKFC207 ; HS2307	5 5/16	4 21/64	3 1/16	7/16	35/64	5/16	1 1/32	1 11/32
35	<b>UKFC208 ; H2308</b>	<b>145</b>	<b>120</b>	<b>84.8</b>	<b>11</b>	<b>14</b>	<b>10</b>	<b>26</b>	<b>36</b>
1 1/4	UKFC208 ; HE2308	5 23/32	4 23/32	3 11/32	7/16	35/64	25/64	1 1/32	1 27/64
1 3/8	UKFC208 ; HS2308								
40	<b>UKFC209 ; H2309</b>	<b>160</b>	<b>132</b>	<b>93.3</b>	<b>10</b>	<b>16</b>	<b>12</b>	<b>26</b>	<b>38</b>
1 7/16	UKFC209 ; HA2309								
1 1/2	UKFC209 ; HE2309	6 5/16	5 13/64	3 43/64	25/64	5/8	15/32	1 1/32	1 1/2
1 5/8	UKFC209 ; HS2309								
45	<b>UKFC210 ; H2310</b>	<b>165</b>	<b>138</b>	<b>97.6</b>	<b>10</b>	<b>16</b>	<b>12</b>	<b>28</b>	<b>40</b>
1 5/8	UKFC210 ; HS2310								
1 11/16	UKFC210 ; HA2310	6 1/2	5 7/16	3 27/32	25/64	5/8	15/32	1 3/32	1 37/64
1 3/4	UKFC210 ; HE2310								
50	<b>UKFC211 ; HE2311</b>	<b>185</b>	<b>150</b>	<b>106.1</b>	<b>13</b>	<b>19</b>	<b>12</b>	<b>31</b>	<b>43</b>
1 7/8	UKFC211 ; HS2311								
1 15/16	UKFC211 ; HA2311	7 9/32	5 29/32	4 11/64	33/64	3/4	15/32	1 7/32	1 11/16
2	UKFC211 ; HE2311								
55	<b>UKFC212 ; H2312</b>	<b>195</b>	<b>160</b>	<b>113.1</b>	<b>17</b>	<b>19</b>	<b>12</b>	<b>36</b>	<b>48</b>
2 1/8	UKFC212 ; HS2312	7 11/16	6 19/64	4 29/64	43/64	3/4	15/32	1 13/32	1 57/64
60	<b>UKFC213 ; H2313</b>	<b>205</b>	<b>170</b>	<b>120.2</b>	<b>16</b>	<b>19</b>	<b>14</b>	<b>36</b>	<b>50</b>
2 3/16	UKFC213 ; HA2313								
2 1/4	UKFC213 ; HE2313	8 1/16	6 11/16	4 47/64	5/8	3/4	35/64	1 13/32	1 31/32
2 3/8	UKFC213 ; HS2313								
65	<b>UKFC215 ; H2315</b>	<b>220</b>	<b>184</b>	<b>130.1</b>	<b>18</b>	<b>19</b>	<b>16</b>	<b>40</b>	<b>56</b>
2 7/16	UKFC215 ; HA2315								
2 1/2	UKFC215 ; HE2315	8 21/32	7 1/4	5 1/8	45/64	3/4	5/8	1 9/16	2 13/64



# Flanged Unit Cast Housing (4 Bolt - Round)

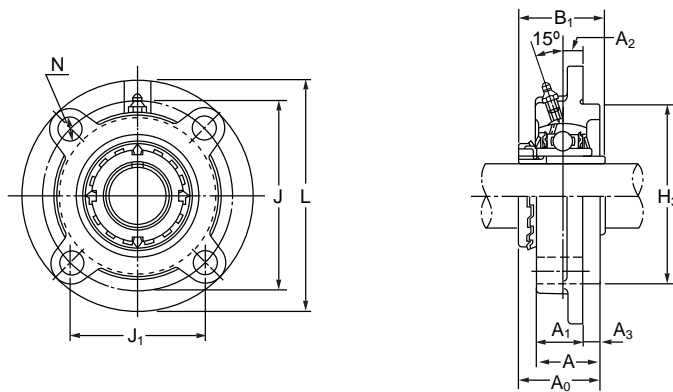
2.11

H <sub>3</sub>	A <sub>0</sub>	B <sub>1</sub>	Bolt Size	Bearing Number	Housing Number	Mass
			mm inch			UKFC kg/lbs
70	35.5	35	<b>M10</b>	<b>UK205 ; H2305</b>	<b>FC205</b>	<b>1.0</b>
2.7559	1 25/64	1.378	3/8	UK205 ; HE2305	FC205	2.2
80	39	38	<b>M10</b>	<b>UK206 ; H2306</b>	<b>FC206</b>	<b>1.4</b>
3.1496	1 17/32	1.496	3/8	UK206 ; HS2306	FC206	3.1
				UK206 ; HE2306	FC206	
90	42.5	43	<b>M12</b>	<b>UK207 ; H2307</b>	<b>FC207</b>	<b>1.7</b>
3.5433	1 43/64	1.693	7/16	UK207 ; HS2307	FC207	3.7
100	46.5	46	<b>M12</b>	<b>UK208 ; H2308</b>	<b>FC208</b>	<b>2.1</b>
3.9370	1 53/64	1.811	7/16	UK208 ; HE2308	FC208	4.6
				UK208 ; HS2308	FC208	
105	48.5	50	<b>M14</b>	<b>UK209 ; H2309</b>	<b>FC209</b>	<b>2.8</b>
4.1339	1 29/32	1.969	1/2	UK209 ; HA2309	FC209	
				UK209 ; HE2309	FC209	6.2
				UK209 ; HS2309	FC209	
110	50	55	<b>M14</b>	<b>UK210 ; H2310</b>	<b>FC210</b>	<b>3.3</b>
4.3307	1 31/32	2.165	1/2	UK210 ; HS2310	FC210	
				UK210 ; HA2310	FC210	7.3
				UK210 ; HE2310	FC210	
125	54.5	59	<b>M16</b>	<b>UK211 ; H2311</b>	<b>FC211</b>	<b>4.4</b>
4.9213	2 9/64	2.323	5/8	UK211 ; HS2311	FC211	
				UK211 ; HA2311	FC211	9.7
				UK211 ; HE2311	FC211	
135	61	62	<b>M16</b>	<b>UK212 ; H2312</b>	<b>FC212</b>	<b>5.4</b>
5.3150	2 13/32	2.441	5/8	UK212 ; HS2312	FC212	12
145	64	65	<b>M16</b>	<b>UK213 ; H2313</b>	<b>FC213</b>	<b>6.1</b>
5.7087	2 33/64	2.559	5/8	UK213 ; HA2313	FC213	
				UK213 ; HE2313	FC213	13
				UK213 ; HS2313	FC213	
160	71	73	<b>M16</b>	<b>UK215 ; H2315</b>	<b>FC215</b>	<b>8.0</b>
6.2992	2 51/64	2.874	5/8	UK215 ; HA2315	FC215	
				UK215 ; HE2315	FC215	18

# Flanged Unit Cast Housing (4 Bolt - Round)



■ Taper Bored with Adapter Sleeve - UKFC 200 Series



Shaft Dia.	Unit Number	Basic Dimensions							
		L	J	J <sub>1</sub>	A <sub>2</sub>	N	A <sub>3</sub>	A <sub>1</sub>	A
<b>70</b>	<b>UKFC216 ; H2316</b>	<b>240</b>	<b>200</b>	<b>141.4</b>	<b>18</b>	<b>23</b>	<b>16</b>	<b>42</b>	<b>58</b>
2 11/16	UKFC216 ; HA2316	9 7/16	7 7/8	5 9/16	45/64	29/32	5/8	1 21/32	2 9/32
2 3/4	UKFC216 ; HE2316								
<b>75</b>	<b>UKFC217 ; H2317</b>	<b>250</b>	<b>208</b>	<b>147.1</b>	<b>18</b>	<b>23</b>	<b>18</b>	<b>45</b>	<b>63</b>
2 15/16	UKFC217 ; HA2317	9 27/32	8 3/16	5 51/64	45/64	29/32	45/64	1 25/32	2 31/64
3	UKFC217 ; HE2317								
<b>80</b>	<b>UKFC218 ; H2318</b>	<b>265</b>	<b>220</b>	<b>155.5</b>	<b>22</b>	<b>23</b>	<b>18</b>	<b>50</b>	<b>68</b>
3 3/16	UKFC218 ; HA2318	10 7/16	8 21/32	6 1/8	55/64	29/32	45/64	1 31/32	2 43/64



# Flanged Unit Cast Housing (4 Bolt - Round)

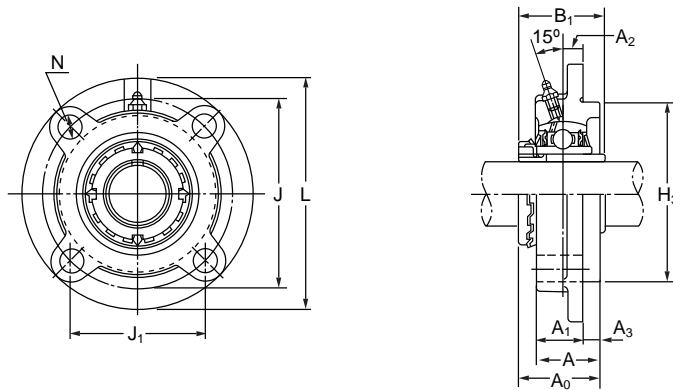
2.11

H <sub>3</sub>	A <sub>0</sub>	B <sub>1</sub>	Bolt Size	Bearing Number	Housing Number	Mass
			mm inch			UKFC kg/lbs
<b>170</b>	<b>73.5</b>	<b>78</b>	<b>M20</b>	<b>UK216 ; H2316</b>	<b>FC216</b>	<b>9.7</b>
6.6929	2 57/64	3.071	3/4	UK216 ; HA2316 UK216 ; HE2316	FC216 FC216	21
<b>180</b>	<b>77</b>	<b>82</b>	<b>M20</b>	<b>UK217 ; H2317</b>	<b>FC217</b>	<b>11</b>
7.0866	3 1/32	3.228	3/4	UK217 ; HA2317 UK217 ; HE2317	FC217 FC217	24
<b>190</b>	<b>81.5</b>	<b>86</b>	<b>M20</b>	<b>UK218 ; H2318</b>	<b>FC218</b>	<b>14</b>
7.4803	3 13/64	3.386	3/4	UK218 ; HA2318	FC218	31

# Flanged Unit Cast Housing (4 Bolt - Round)



■ Taper Bored with Adapter Sleeve - UKFCX Series



Shaft Dia.	Unit Number	Basic Dimensions							
		L	J	J <sub>1</sub>	A <sub>2</sub>	N	A <sub>3</sub>	A <sub>1</sub>	A
<b>20</b>	<b>UKFCX05 ; H2305</b>	<b>111</b>	<b>92</b>	<b>65</b>	<b>10</b>	<b>9.5</b>	<b>6</b>	<b>24</b>	<b>30</b>
3/4	UKFCX05 ; HE2305	4 3/8	3 5/8	2 9/16	25/64	3/8	1/4	15/16	1 3/16
<b>25</b>	<b>UKFCX06 ; H2306</b>	<b>127</b>	<b>105</b>	<b>74.2</b>	<b>8</b>	<b>12</b>	<b>9.5</b>	<b>22.5</b>	<b>32</b>
7/8	UKFCX06 ; HS2306	5	4 9/64	2 59/64	5/16	15/32	3/8	7/8	1 17/64
1	UKFCX06 ; HE2306								
<b>30</b>	<b>UKFCX07 ; H2307</b>	<b>133</b>	<b>111</b>	<b>78.5</b>	<b>9</b>	<b>12</b>	<b>11</b>	<b>26</b>	<b>37</b>
1 1/8	UKFCX07 ; HS2307	5 1/4	4 3/8	3 3/32	23/64	15/32	7/16	1 1/32	1 29/64
<b>35</b>	<b>UKFCX08 ; H2308</b>	<b>133</b>	<b>111</b>	<b>78.5</b>	<b>9</b>	<b>12</b>	<b>11</b>	<b>26</b>	<b>37</b>
1 1/4	UKFCX08 ; HE2308	5 1/4	4 3/8	3 3/32	23/64	15/32	7/16	1 1/32	1 29/64
1 3/8	UKFCX08 ; HS2308								
<b>40</b>	<b>UKFCX09 ; H2309</b>	<b>155</b>	<b>130</b>	<b>91.9</b>	<b>8</b>	<b>14</b>	<b>12</b>	<b>25</b>	<b>37</b>
1 7/16	UKFCX09 ; HA2309								
1 1/2	UKFCX09 ; HE2309	6 3/32	5 1/8	3 5/8	5/16	35/64	15/32	31/32	1 29/64
1 5/8	UKFCX09 ; HS2309								
<b>45</b>	<b>UKFCX10 ; H2310</b>	<b>162</b>	<b>136</b>	<b>96.2</b>	<b>7</b>	<b>14</b>	<b>16</b>	<b>25</b>	<b>41</b>
1 5/8	UKFCX10 ; HS2310								
1 11/16	UKFCX10 ; HA2310	6 3/8	5 23/64	3 25/32	9/32	35/64	5/8	31/32	1 39/64
1 3/4	UKFCX10 ; HE2310								
<b>50</b>	<b>UKFCX11 ; H2311</b>	<b>180</b>	<b>152</b>	<b>107.5</b>	<b>4</b>	<b>16</b>	<b>22</b>	<b>26</b>	<b>48</b>
1 7/8	UKFCX11 ; HS2311								
1 15/16	UKFCX11 ; HA2311	7 3/32	5 63/64	4 15/64	5/32	5/8	55/64	1 1/32	1 57/64
2	UKFCX11 ; HE2311								
<b>55</b>	<b>UKFCX12 ; H2312</b>	<b>194</b>	<b>165</b>	<b>116.7</b>	<b>11</b>	<b>16</b>	<b>20</b>	<b>33</b>	<b>53</b>
2 1/8	UKFCX12 ; HS2312	7 5/8	6 1/2	4 19/32	7/16	5/8	25/32	1 5/16	2 5/64
<b>60</b>	<b>UKFCX13 ; H2313</b>	<b>194</b>	<b>165</b>	<b>116.7</b>	<b>11</b>	<b>16</b>	<b>20</b>	<b>33</b>	<b>53</b>
2 3/16	UKFCX13 ; HA2313								
2 1/4	UKFCX13 ; HE2313	7 5/8	6 1/2	4 19/32	7/16	5/8	25/32	1 5/16	2 5/64
2 3/8	UKFCX13 ; HS2313								
<b>65</b>	<b>UKFCX15 ; H2315</b>	<b>222</b>	<b>190</b>	<b>134.3</b>	<b>12</b>	<b>19</b>	<b>22</b>	<b>35</b>	<b>57</b>
2 7/16	UKFCX15 ; HA2315								
2 1/2	UKFCX15 ; HE2315	8 3/4	7 31/64	5 9/32	15/32	3/4	55/64	1 3/8	2 1/4



# Flanged Unit Cast Housing (4 Bolt - Round)

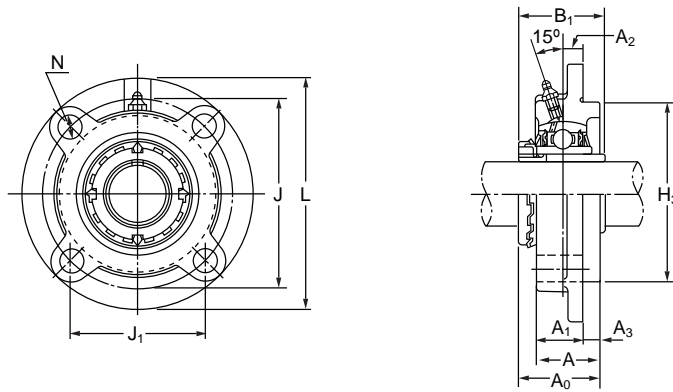
2.12

H <sub>3</sub>	A <sub>0</sub>	B <sub>1</sub>	Bolt Size	Bearing Number	Housing Number	Mass
			mm inch			UKFC kg/lbs
<b>76</b>	<b>37</b>	<b>35</b>	<b>M8</b>	<b>UKX05 ; H2305</b>	<b>FCX05</b>	<b>1.1</b>
2.9921	1 29/64	1.378	5/16	UKX05 ; HE2305	FCX05	2.4
<b>85</b>	<b>40</b>	<b>38</b>	<b>M10</b>	<b>UKX06 ; H2306</b>	<b>FCX06</b>	<b>1.5</b>
3.3465	1 37/64	1.496	3/8	UKX06 ; HS2306	FCX06	3.3
				UKX06 ; HE2306	FCX06	
<b>92</b>	<b>44.5</b>	<b>43</b>	<b>M10</b>	<b>UKX07 ; H2307</b>	<b>FCX07</b>	<b>1.9</b>
3.6220	1 3/4	1.693	3/8	UKX07 ; HS2307	FCX07	4.2
<b>92</b>	<b>45.5</b>	<b>46</b>	<b>M10</b>	<b>UKX08 ; H2308</b>	<b>FCX08</b>	<b>1.9</b>
3.6220	1 51/64	1.811	3/8	UKX08 ; HE2308	FCX08	4.2
				UKX08 ; HS2308	FCX08	
<b>108</b>	<b>47</b>	<b>50</b>	<b>M12</b>	<b>UKX09 ; H2309</b>	<b>FCX09</b>	<b>2.6</b>
				UKX09 ; HA2309	FCX09	
4.2520	1 27/32	1.969	7/16	UKX09 ; HE2309	FCX09	5.7
				UKX09 ; HS2309	FCX09	
<b>118</b>	<b>52.5</b>	<b>55</b>	<b>M12</b>	<b>UKX10 ; H2310</b>	<b>FCX10</b>	<b>3.1</b>
				UKX10 ; HS2310	FCX10	
4.6457	2 1/16	2.165	7/16	UKX10 ; HA2310	FCX10	6.8
				UKX10 ; HE2310	FCX10	
<b>127</b>	<b>57</b>	<b>59</b>	<b>M14</b>	<b>UKX11 ; H2311</b>	<b>FCX11</b>	<b>4.2</b>
				UKX11 ; HS2311	FCX11	
5.0000	2 1/4	2.323	1/2	UKX11 ; HA2311	FCX11	9.3
				UKX11 ; HE2311	FCX11	
<b>140</b>	<b>64</b>	<b>62</b>	<b>M14</b>	<b>UKX12 ; H2312</b>	<b>FCX12</b>	<b>5.5</b>
5.5118	2 33/64	2.441	1/2	UKX12 ; HS2312	FCX12	12
<b>140</b>	<b>66</b>	<b>65</b>	<b>M14</b>	<b>UKX13 ; H2313</b>	<b>FCX13</b>	<b>5.4</b>
				UKX13 ; HA2313	FCX13	
5.5118	2 19/32	2.559	1/2	UKX13 ; HE2313	FCX13	12
				UKX13 ; HS2313	FCX13	
<b>164</b>	<b>71.5</b>	<b>73</b>	<b>M16</b>	<b>UKX15 ; H2315</b>	<b>FCX15</b>	<b>7.8</b>
				UKX15 ; HA2315	FCX15	
6.4567	2 13/16	2.874	5/8	UKX15 ; HE2315	FCX15	17

# Flanged Unit Cast Housing (4 Bolt - Round)



■ Taper Bored with Adapter Sleeve - UKFCX Series



Shaft Dia.	Unit Number	Basic Dimensions							
		L	J	J <sub>1</sub>	A <sub>2</sub>	N	A <sub>3</sub>	A <sub>1</sub>	A
<b>70</b>	<b>UKFCX16 ; H2316</b>	<b>260</b>	<b>219</b>	<b>154.8</b>	<b>10</b>	<b>23</b>	<b>25</b>	<b>36</b>	<b>61</b>
2 11/16	UKFCX16 ; HA2316	10 1/4	8 5/8	6 3/32	25/64	29/32	63/64	1 13/32	2 13/32
2 3/4	UKFCX16 ; HE2316								
<b>75</b>	<b>UKFCX17 ; H2317</b>	<b>260</b>	<b>219</b>	<b>154.8</b>	<b>10</b>	<b>23</b>	<b>25</b>	<b>36</b>	<b>61</b>
2 15/16	UKFCX17 ; HA2317	10 1/4	8 5/8	6 3/32	25/64	29/32	63/64	1 13/32	2 13/32
3	UKFCX17 ; HE2317								
<b>80</b>	<b>UKFCX18 ; H2318</b>	<b>260</b>	<b>219</b>	<b>154.8</b>	<b>12</b>	<b>23</b>	<b>28</b>	<b>43</b>	<b>71</b>
3 3/16	UKFCX18 ; HA2318	10 1/4	8 5/8	6 3/32	15/32	29/32	1 7/64	1 11/16	2 51/64
<b>90</b>	<b>UKFCX20 ; H2320</b>	<b>276</b>	<b>238</b>	<b>168.3</b>	<b>22</b>	<b>23</b>	<b>28</b>	<b>66</b>	<b>94</b>



# Flanged Unit Cast Housing (4 Bolt - Round)

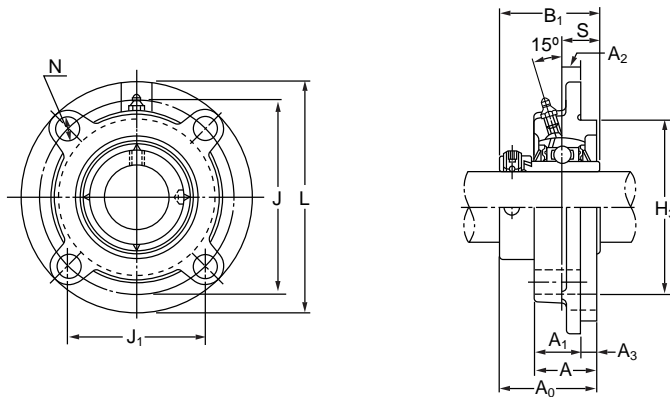
2.12

H <sub>3</sub>	A <sub>0</sub>	B <sub>1</sub>	Bolt Size	Bearing Number	Housing Number	Mass
			mm inch			UKFC kg/lbs
<b>186</b>	<b>75</b>	<b>78</b>	<b>M20</b>	<b>UKX16 ; H2316</b>	<b>FCX16</b>	<b>11</b>
7.3228	2 61/64	3.071	3/4	UKX16 ; HA2316 UKX16 ; HE2316	FCX16 FCX16	24
<b>186</b>	<b>76.5</b>	<b>82</b>	<b>M20</b>	<b>UKX17 ; H2317</b>	<b>FCX17</b>	<b>12</b>
7.3228	3 1/64	3.228	3/4	UKX17 ; HA2317 UKX17 ; HE2317	FCX17 FCX17	26
<b>186</b>	<b>85</b>	<b>86</b>	<b>M20</b>	<b>UKX18 ; H2318</b>	<b>FCX18</b>	<b>12</b>
7.3228	3 11/32	3.386	3/4	UKX18 ; HA2318	FCX18	26
<b>206</b>	<b>99</b>	<b>97</b>	<b>M20</b>	<b>UKFX20 ; H2320</b>	<b>FCX20</b>	<b>15</b>

# Flanged Cartridge Unit Cast Housing (4 Bolt - Round)



■ Eccentric Locking Collar Type - UELFC 200 Series



Shaft Dia. mm inch	Unit Number	Basic Dimensions								
		L	J	J <sub>1</sub>	A <sub>2</sub>	N	A <sub>3</sub>	A <sub>1</sub>	A	H <sub>3</sub>
<b>20</b> 3/4	<b>UELFC204</b> UELFC204-012	<b>100</b> 3 15/16	<b>78</b> 3 5/64	<b>55.1</b> 211/64	<b>10</b> 25/64	<b>12</b> 15/32	<b>5</b> 13/64	<b>20.5</b> 13/16	<b>25.5</b> 1	<b>62</b> 2.4409
<b>25</b> 13/16 7/8 15/16 1	<b>UELFC205</b> UELFC205-013 UELFC205-014 UELFC205-015 UELFC205-100	<b>115</b> 4 17/32	<b>90</b> 3 35/64	<b>63.6</b> 2 1/2	<b>10</b> 25/64	<b>12</b> 15/32	<b>6</b> 15/64	<b>21</b> 13/16	<b>27</b> 1 1/16	<b>70</b> 2.7559
<b>30</b> 1 1/16 1 1/8 1 3/16 1 1/4	<b>UELFC206</b> UELFC206-101 UELFC206-102 UELFC206-103 UELFC209-104	<b>125</b> 4 29/32	<b>100</b> 3 15/16	<b>70.7</b> 2 25/32	<b>10</b> 25/64	<b>12</b> 15/32	<b>8</b> 5/16	<b>23</b> 29/32	<b>31</b> 1 7/32	<b>80</b> 3.1496
<b>35</b> 1 1/4 1 5/16 1 3/8 1 7/16	<b>UELFC207</b> UELFC207-104 UELFC207-105 UELFC207-106 UELFC207-107	<b>135</b> 5 5/16	<b>110</b> 4 21/64	<b>77.8</b> 3 1/16	<b>11</b> 7/16	<b>14</b> 35/64	<b>8</b> 5/16	<b>26</b> 1 1/32	<b>34</b> 1 11/32	<b>90</b> 3.5433
<b>40</b> 1 1/2 1 9/16	<b>UELFC208</b> UELFC208-108 UELFC208-109	<b>145</b> 5 23/32	<b>120</b> 4 23/32	<b>84.8</b> 3 11/32	<b>11</b> 7/16	<b>14</b> 35/64	<b>10</b> 25/64	<b>26</b> 1 1/32	<b>36</b> 1 27/64	<b>100</b> 3.937
<b>45</b> 1 5/8 1 11/16 1 3/4	<b>UELFC209</b> UELFC209-110 UELFC209-111 UELFC209-112	<b>160</b> 6 5/16	<b>132</b> 5 13/64	<b>93.3</b> 3 43/64	<b>10</b> 25/64	<b>16</b> 5/8	<b>12</b> 15/32	<b>26</b> 1 1/32	<b>38</b> 1 1/2	<b>105</b> 4.1339
<b>50</b> 1 13/16 1 7/8 1 15/16 2	<b>UELFC210</b> UELFC210-113 UELFC210-114 UELFC210-115 UELFC210-200	<b>165</b> 6 1/2	<b>138</b> 5 7/16	<b>97.6</b> 3 27/32	<b>10</b> 25/64	<b>16</b> 5/8	<b>12</b> 15/32	<b>28</b> 1 3/32	<b>40</b> 1 37/64	<b>110</b> 4.3307



# Flanged Cartridge Unit Cast Housing (4 Bolt - Round)

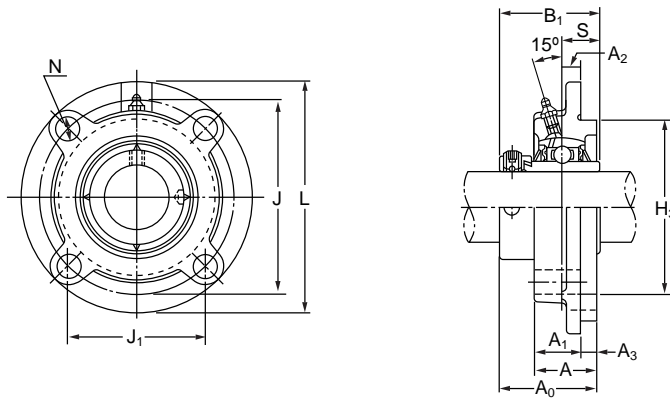
2.13

A <sub>0</sub>	B <sub>1</sub>	S	Bolt Size mm inch	Bearing Number	Housing Number	Mass
						kg/lbs
<b>41.6</b> 1 41/64	<b>43.7</b> 1.720	<b>17.1</b> 0.673	<b>M10</b> 3/8	<b>UEL204</b> UEL204-012	<b>FC204</b> FC204	<b>0.8</b> 1.8
<b>42.9</b> 1 11/16	<b>44.4</b> 1.748	<b>17.5</b> 0.689	<b>M10</b> 3/8	<b>UEL205</b> UEL205-013 UEL205-014 UEL205-015 UEL205-100	<b>FC205</b> FC205 FC205 FC205	<b>1.1</b> 2.4
<b>48.1</b> 1 57/64	<b>48.4</b> 1.906	<b>18.3</b> 0.720	<b>M10</b> 3/8	<b>UEL206</b> UEL206-101 UEL206-102 UEL206-103 UEL206-104	<b>FC206</b> FC206 FC206 FC206	<b>1.5</b> 3.3
<b>51.3</b> 2 1/64	<b>51.1</b> 2.012	<b>18.8</b> 0.740	<b>M12</b> 7/16	<b>UEL207</b> UEL207-104 UEL207-105 UEL207-106 UEL207-107	<b>FC207</b> FC207 FC207 FC207	<b>1.8</b> 4.0
<b>55.9</b> 2 13/64	<b>56.3</b> 2.217	<b>21.4</b> 0.843	<b>M12</b> 7/16	<b>UEL208</b> UEL208-108 UEL208-109	<b>FC208</b> FC208 FC208	<b>2.2</b> 4.9
<b>56.9</b> 2 15/64	<b>56.3</b> 2.217	<b>21.4</b> 0.843	<b>M14</b> 1/2	<b>UEL209</b> UEL209-110 UEL209-111 UEL209-112	<b>FC209</b> FC209 FC209	<b>2.8</b> 6.2
<b>60.1</b> 2 23/64	<b>62.7</b> 2.469	<b>24.6</b> 0.969	<b>M14</b> 1/2	<b>UEL210</b> UEL210-113 UEL210-114 UEL210-115 UEL210-200	<b>FC210</b> FC210 FC210 FC210	<b>3.3</b> 7.3

# Flanged Cartridge Unit Cast Housing (4 Bolt - Round)



■ Eccentric Locking Collar Type - UELFC 200 Series



Shaft Dia.	Unit Number	Basic Dimensions								
		mm inch								
mm inch		L	J	J <sub>1</sub>	A <sub>2</sub>	N	A <sub>3</sub>	A <sub>1</sub>	A	H <sub>3</sub>
<b>55</b>	<b>UELFC211</b>	<b>185</b>	<b>150</b>	<b>106.1</b>	<b>13</b>	<b>19</b>	<b>12</b>	<b>31</b>	<b>43</b>	<b>125</b>
2	UELFC211-200									
2 1/16	UELFC211-201	7 9/32	5 29/32	4 11/64	33/64	3/4	15/32	1 7/32	1 11/16	4.9213
2 1/8	UELFC211-202									
2 3/16	UELFC211-203									
<b>60</b>	<b>UELFC212</b>	<b>195</b>	<b>160</b>	<b>113.1</b>	<b>17</b>	<b>19</b>	<b>12</b>	<b>36</b>	<b>48</b>	<b>135</b>
2 1/4	UELFC212-204									
2 5/16	UELFC212-205	7 11/16	6 19/64	4 29/64	43/64	3/4	15/32	1 13/32	1 57/64	5.3150
2 3/8	UELFC212-206									
2 7/16	UELFC212-207									
<b>65</b>	<b>UELFC213</b>	<b>205</b>	<b>170</b>	<b>120.2</b>	<b>16</b>	<b>19</b>	<b>14</b>	<b>36</b>	<b>50</b>	<b>145</b>
2 1/2	UELFC213-208									
2 9/16	UELFC213-209	8 1/16	6 11/16	4 47/64	5/8	3/4	35/64	1 13/32	1 31/32	5.7087
<b>70</b>	<b>UELFC214</b>	<b>215</b>	<b>177</b>	<b>125.1</b>	<b>17</b>	<b>19</b>	<b>14</b>	<b>40</b>	<b>54</b>	<b>150</b>
2 5/8	UELFC214-210									
2 11/16	UELFC214-211	8 15/32	6 31/32	4 59/64	43/64	3/4	35/64	1 9/16	2 1/8	5.9055
2 3/4	UELFC214-212									
<b>75</b>	<b>UELFC215</b>	<b>220</b>	<b>184</b>	<b>130.1</b>	<b>18</b>	<b>19</b>	<b>16</b>	<b>40</b>	<b>56</b>	<b>160</b>
2 13/16	UELFC215-213									
2 7/8	UELFC215-214	8 21/32	7 1/4	5 1/8	45/64	3/4	5/8	1 9/16	2 13/64	6.2992
2 15/16	UELFC215-215									
3	UELFC215-300									



# Flanged Cartridge Unit Cast Housing (4 Bolt - Round)

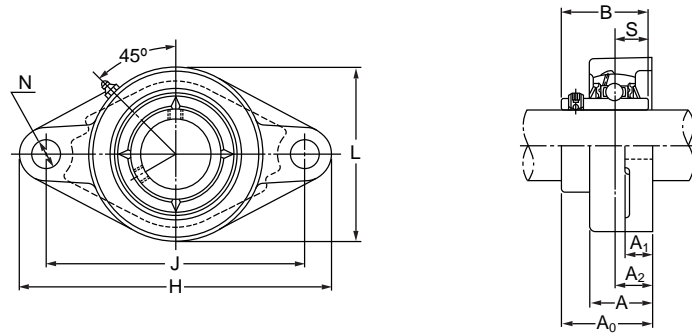
2.13

			Bolt Size	Bearing Number	Housing Number	Mass
			mm inch			kg/lbs
A <sub>0</sub>	B <sub>1</sub>	S				
<b>68.6</b>	<b>71.4</b>	<b>27.8</b>	<b>M16</b>	<b>UEL211</b>	<b>FC211</b>	<b>4.5</b>
				UEL211-200	FC211	
2 45/64	2.811	1.094	5/8	UEL211-201	FC211	9.9
				UEL211-202	FC211	
				UEL211-203	FC211	
<b>75.8</b>	<b>77.8</b>	<b>31</b>	<b>M16</b>	<b>UEL212</b>	<b>FC212</b>	<b>5.7</b>
				UEL212-204	FC212	
2 63/64	3.063	1.220	5/8	UEL212-205	FC212	13
				UEL212-206	FC212	
				UEL212-207	FC212	
<b>81.6</b>	<b>85.7</b>	<b>34.15</b>	<b>M16</b>	<b>UEL213</b>	<b>FC213</b>	<b>6.5</b>
				UEL213-208	FC213	
3 7/32	3.374	1.344	5/8	UEL213-209	FC213	14
<b>82.6</b>	<b>85.7</b>	<b>34.15</b>	<b>M16</b>	<b>UEL214</b>	<b>FC214</b>	<b>7.2</b>
				UEL214-210	FC214	
3 1/4	3.374	1.344	5/8	UEL214-211	FC214	16
				UEL214-212	FC214	
<b>88.7</b>	<b>92</b>	<b>37.3</b>	<b>M16</b>	<b>UEL215</b>	<b>FC215</b>	<b>8.0</b>
				UEL215-213	FC215	
3 31/64	3.622	1.469	5/8	UEL215-214	FC215	18
				UEL215-215	FC215	
				UEL215-300	FC215	

# Flanged Unit (2 Bolt - Oval)



■ Set Screw Type - UCFL 200 Series



Shaft Dia. mm inch	* Unit Number	Basic Dimensions									
		H	J	A <sub>2</sub>	A <sub>1</sub>	A	N	L	A <sub>0</sub>	B	
<b>12</b>	<b>UCFL201</b>	<b>113</b>	<b>90</b>	<b>15</b>	<b>11</b>	<b>25.5</b>	<b>12</b>	<b>60</b>	<b>33.3</b>	<b>31</b>	
1/2	UCFL201-008	4 7/16	3 35/64	19/32	7/16	1	15/32	2 3/8	1 5/16	1.2205	
<b>15</b>	<b>UCFL202</b>	<b>113</b>	<b>90</b>	<b>15</b>	<b>11</b>	<b>25.5</b>	<b>12</b>	<b>60</b>	<b>33.3</b>	<b>31</b>	
9/16	UCFL202-009	4 7/16	3 35/64	19/32	7/16	1	15/32	2 3/8	1 5/16	1.2205	
5/8	UCFL202-010	4 7/16	3 35/64	19/32	7/16	1	15/32	2 3/8	1 5/16	1.2205	
<b>17</b>	<b>UCFL203</b>	<b>113</b>	<b>90</b>	<b>15</b>	<b>11</b>	<b>25.5</b>	<b>12</b>	<b>60</b>	<b>33.3</b>	<b>31</b>	
11/16	UCFL203-011	4 7/16	3 35/64	19/32	7/16	1	15/32	2 3/8	1 5/16	1.2205	
<b>20</b>	<b>UCFL204</b>	<b>113</b>	<b>90</b>	<b>15</b>	<b>11</b>	<b>25.5</b>	<b>12</b>	<b>60</b>	<b>33.3</b>	<b>31</b>	
3/4	UCFL204-012	4 7/16	3 35/64	19/32	7/16	1	15/32	2 3/8	1 5/16	1.2205	
<b>25</b>	<b>UCFL205</b>	<b>130</b>	<b>99</b>	<b>16</b>	<b>13</b>	<b>27</b>	<b>16</b>	<b>68</b>	<b>35.8</b>	<b>34.1</b>	
13/16	UCFL205-013										
7/8	UCFL205-0144	5 1/8	3 57/64	5/8	1/2	1 1/16	5/8	2 11/16	1 13/32	1.3425	
15/16	UCFL205-015										
1	UCFL205-100										
<b>30</b>	<b>UCFL206</b>	<b>148</b>	<b>117</b>	<b>18</b>	<b>13</b>	<b>31</b>	<b>16</b>	<b>80</b>	<b>40.2</b>	<b>38.1</b>	
1 1/16	UCFL206-101										
1 1/8	UCFL206-102	5 13/16	4 39/64	45/64	1/2	1 7/32	5/8	3 5/32	1 37/64	1.5000	
1 3/16	UCFL206-103										
1 1/4	UCFL206-104										
<b>35</b>	<b>UCFL207</b>	<b>161</b>	<b>130</b>	<b>19</b>	<b>15</b>	<b>34</b>	<b>16</b>	<b>90</b>	<b>44.4</b>	<b>42.9</b>	
1 1/4	UCFL207-104										
1 5/16	UCFL207-105	6 11/32	5 1/8	3/4	19/32	1 11/32	5/8	3 17/32	1 3/4	1.6890	
1 3/8	UCFL207-106										
1 7/16	UCFL207-107										
<b>40</b>	<b>UCFL208</b>	<b>175</b>	<b>144</b>	<b>21</b>	<b>15</b>	<b>36</b>	<b>16</b>	<b>100</b>	<b>51.2</b>	<b>49.2</b>	
1 1/2	UCFL208-108										
1 9/16	UCFL208-109	6 7/8	5 43/64	53/64	19/32	1 13/32	5/8	3 15/16	2 1/64	1.9370	
<b>45</b>	<b>UCFL209</b>	<b>188</b>	<b>148</b>	<b>22</b>	<b>16</b>	<b>38</b>	<b>19</b>	<b>108</b>	<b>52.2</b>	<b>49.2</b>	
1 5/8	UCFL209-110										
1 11/16	UCFL209-111	7 13/32	5 53/64	55/64	5/8	1 1/2	3/4	4 1/4	2 1/16	1.9370	
1 3/4	UCFL209-112										



# Flanged Unit (2 Bolt - Oval)

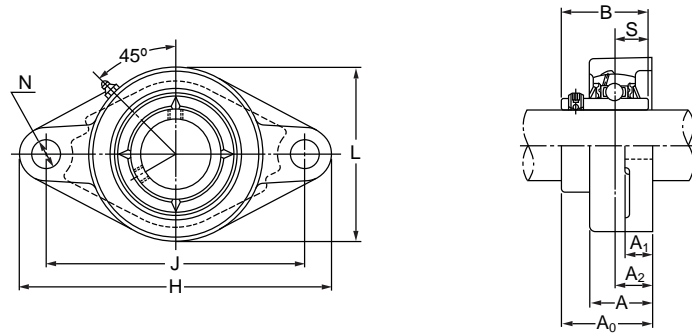
\* Denotation  
 UCFL : Cast Housing with chrome steel bearing inserts.  
 MUCFL : Stainless Steel Housing with stainless steel bearing inserts.  
 MUCPFL...SB : Plastic Housing with stainless steel bearing inserts.

S	Bolt Size	Bearing Number	Housing Number	Mass (kg/lbs)		
				UCFL	MUCFL	MUCPFL...SB
<b>12.7</b>	<b>M10</b>	<b>UC201</b>	<b>FL204</b>	<b>0.6</b>	-	<b>0.08</b>
0.500	3/8	UC201-008	FL204	1.3	-	0.18
<b>12.7</b>	<b>M10</b>	<b>UC202</b>	<b>FL204</b>	<b>0.6</b>	-	<b>0.08</b>
0.500	3/8	UC202-009 UC202-010	FL204 FL204	1.3	-	0.18
<b>12.7</b>	<b>M10</b>	<b>UC203</b>	<b>FL204</b>	<b>0.5</b>	-	<b>0.08</b>
0.500	3/8	UC203-011	FL204	1.1	-	0.18
<b>12.7</b>	<b>M10</b>	<b>UC204</b>	<b>FL204</b>	<b>0.5</b>	<b>0.5</b>	<b>0.08</b>
0.500	3/8	UC204-012	FL204	1.1	1.1	0.18
<b>14.3</b>	<b>M14</b>	<b>UC205</b>	<b>FL205</b>	<b>0.6</b>	<b>0.6</b>	<b>0.11</b>
		UC205-013	FL205			
0.563	1/2	UC205-014 UC205-015 UC205-100	FL205 FL205 FL205	1.3	1.3	0.24
<b>15.9</b>	<b>M14</b>	<b>UC206</b>	<b>FL206</b>	<b>0.9</b>	<b>0.9</b>	<b>0.14</b>
0.626	1/2	UC206-101 UC206-102 UC206-103 UC206-104	FL206 FL206 FL206 FL206	2.0	2.0	0.31
<b>17.5</b>	<b>M14</b>	<b>UC207</b>	<b>FL207</b>	<b>1.2</b>	<b>1.2</b>	<b>0.17</b>
		UC207-104	FL207			
0.689	1/2	UC207-105 UC207-106 UC207-107	FL207 FL207 FL207	2.6	2.6	0.37
<b>19</b>	<b>M14</b>	<b>UC208</b>	<b>FL208</b>	<b>1.6</b>	<b>1.6</b>	<b>0.25</b>
0.748	1/2	UC208-108 UC208-109	FL208 FL208	3.5	3.5	0.56
<b>19</b>	<b>M16</b>	<b>UC209</b>	<b>FL209</b>	<b>1.9</b>	<b>1.9</b>	-
0.748	5/8	UC209-110 UC209-111 UC209-112	FL209 FL209 FL209	4.2	4.2	-

# Flanged Unit (2 Bolt - Oval)



■ Set Screw Type - UCFL 200 Series



Shaft Dia. mm inch	* Unit Number	Basic Dimensions									
		H	J	A <sub>2</sub>	A <sub>1</sub>	A	N	L	A <sub>0</sub>	B	
<b>50</b>	<b>UCFL210</b>	<b>197</b>	<b>157</b>	<b>22</b>	<b>16</b>	<b>40</b>	<b>19</b>	<b>115</b>	<b>54.6</b>	<b>51.6</b>	
1 13/16	UCFL210-113										
1 7/8	UCFL210-114	7 3/4	6 3/16	55/64	5/8	1 9/16	3/4	4 17/32	2 5/32	2.0315	
1 15/16	UCFL210-115										
2	UCFL210-200										
<b>55</b>	<b>UCFL211</b>	<b>224</b>	<b>184</b>	<b>25</b>	<b>18</b>	<b>43</b>	<b>19</b>	<b>130</b>	<b>58.4</b>	<b>55.6</b>	
2	UCFL211-200										
2 1/16	UCFL211-201	8 13/16	7 1/4	63/64	23/32	1 11/16	3/4	5 1/8	2 19/64	2.1890	
2 1/8	UCFL211-202										
2 3/16	UCFL211-203										
<b>60</b>	<b>UCFL212</b>	<b>250</b>	<b>202</b>	<b>29</b>	<b>18</b>	<b>48</b>	<b>23</b>	<b>140</b>	<b>68.7</b>	<b>65.1</b>	
2 1/4	UCFL212-204										
2 5/16	UCFL212-205	9 27/32	7 61/64	1 9/64	23/32	1 7/8	29/32	5 1/2	2 45/64	2.5630	
2 3/8	UCFL212-206										
2 7/16	UCFL212-207										
<b>65</b>	<b>UCFL213</b>	<b>258</b>	<b>210</b>	<b>30</b>	<b>22</b>	<b>50</b>	<b>23</b>	<b>155</b>	<b>69.7</b>	<b>65.1</b>	
2 1/2	UCFL213-208										
2 9/16	UCFL213-209	10 5/32	8 17/64	1 3/16	7/8	1 31/32	29/32	6 3/32	2 3/4	2.5630	
<b>70</b>	<b>UCFL214</b>	<b>265</b>	<b>216</b>	<b>31</b>	<b>22</b>	<b>54</b>	<b>23</b>	<b>160</b>	<b>75.4</b>	<b>74.6</b>	
2 5/8	UCFL214-210										
2 11/16	UCFL214-211	10 7/16	8 1/2	1 7/32	7/8	2 1/8	29/32	6 5/16	2 31/32	2.9370	
2 3/4	UCFL214-212										
<b>75</b>	<b>UCFL215</b>	<b>275</b>	<b>225</b>	<b>34</b>	<b>22</b>	<b>56</b>	<b>23</b>	<b>165</b>	<b>78.5</b>	<b>77.8</b>	
2 13/16	UCFL215-213										
2 7/8	UCFL215-214	10 13/16	8 55/64	1 11/32	7/8	2 7/32	29/32	6 1/2	3 3/32	3.0630	
2 15/16	UCFL215-215										
3	UCFL215-300										
<b>80</b>	<b>UCFL216</b>	<b>290</b>	<b>233</b>	<b>34</b>	<b>22</b>	<b>58</b>	<b>25</b>	<b>180</b>	<b>83.3</b>	<b>82.6</b>	
3 1/16	UCFL216-301										
3 1/8	UCFL216-302	11 13/32	9 11/64	1 11/32	7/8	2 9/32	63/64	7 3/32	3 9/32	3.2520	
3 3/16	UCFL216-303										



# Flanged Unit (2 Bolt - Oval)

\* Denotation  
 UCFL : Cast Housing with chrome steel bearing inserts.  
 MUCFL : Stainless Steel Housing with stainless steel bearing inserts.  
 MUCFPL...SB : Plastic Housing with stainless steel bearing inserts.

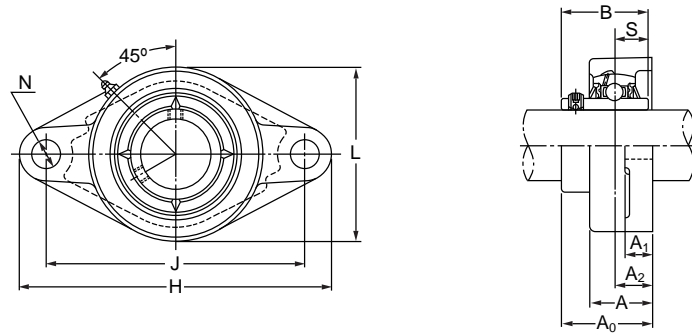
S	Bolt Size	Bearing Number	Housing Number	Mass (kg/lbs)		
				UCFL	MUCFL	MUCFPL...SB
<b>19</b>	<b>M16</b>	<b>UC210</b>	<b>FL210</b>	<b>2.2</b>	<b>2.3</b>	<b>-</b>
		UC210-113	FL210			
0.748	5/8	UC210-114	FL210	4.9	5.1	-
		UC210-115	FL210			
		UC210-200	FL210			
<b>22.2</b>	<b>M16</b>	<b>UC211</b>	<b>FL211</b>	<b>3.1</b>	<b>-</b>	<b>-</b>
		UC211-200	FL211			
0.874	5/8	UC211-201	FL211	6.8	-	-
		UC211-202	FL211			
		UC211-203	FL211			
<b>25.4</b>	<b>M20</b>	<b>UC212</b>	<b>FL212</b>	<b>4.0</b>	<b>-</b>	<b>-</b>
		UC212-204	FL212			
1.000	3/4	UC212-205	FL212	8.8	-	-
		UC212-206	FL212			
		UC212-207	FL212			
<b>25.4</b>	<b>M20</b>	<b>UC213</b>	<b>FL213</b>	<b>5.0</b>	<b>-</b>	<b>-</b>
		UC213-208	FL213	11	-	-
1.000	3/4	UC213-209	FL213			
<b>30.2</b>	<b>M20</b>	<b>UC214</b>	<b>FL214</b>	<b>5.6</b>	<b>-</b>	<b>-</b>
		UC214-210	FL214			
1.189	3/4	UC214-211	FL214	12	-	-
		UC214-212	FL214			
<b>33.3</b>	<b>M20</b>	<b>UC215</b>	<b>FL215</b>	<b>6.2</b>	<b>-</b>	<b>-</b>
		UC215-213	FL215			
1.311	3/4	UC215-214	FL215	14	-	-
		UC215-215	FL215			
		UC215-300	FL215			
<b>33.3</b>	<b>M22</b>	<b>UC216</b>	<b>FL216</b>	<b>8.2</b>	<b>-</b>	<b>-</b>
		UC216-301	FL216			
1.311	7/8	UC216-302	FL216	18	-	-
		UC216-303	FL216			



# Flanged Unit (2 Bolt - Oval)



■ Set Screw Type - UCFL 200 Series



Shaft Dia.	* Unit Number	Basic Dimensions									
		H	J	A <sub>2</sub>	A <sub>1</sub>	A	N	L	A <sub>0</sub>	B	
<b>85</b>	<b>UCFL217</b>	<b>305</b>	<b>248</b>	<b>36</b>	<b>24</b>	<b>63</b>	<b>25</b>	<b>190</b>	<b>87.6</b>	<b>85.7</b>	
3 1/4	UCFL217-304										
3 5/16	UCFL217-305	12	9 49/64	1 27/64	15/16	2 15/32	63/64	7 15/32	3 29/64	3.3740	
3 7/16	UCFL217-307										
<b>90</b>	<b>UCFL218</b>	<b>320</b>	<b>265</b>	<b>40</b>	<b>24</b>	<b>68</b>	<b>25</b>	<b>205</b>	<b>96.3</b>	<b>96</b>	
3 1/2	UCFL218-308	12 19/32	10 7/16	1 37/64	15/16	2 11/16	63/64	8 1/16	3 51/64	3.7795	



# Flanged Unit (2 Bolt - Oval)

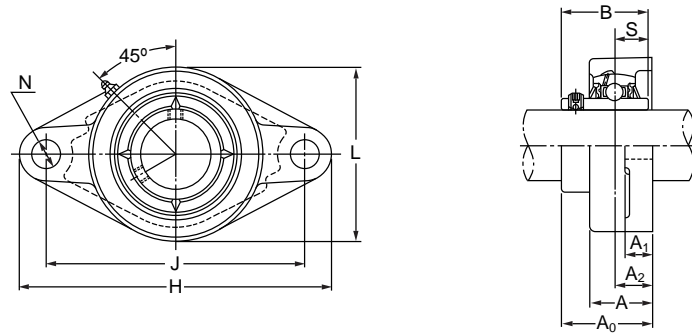
\* Denotation  
 UCFL : Cast Housing with chrome steel bearing inserts.  
 MUCFL : Stainless Steel Housing with stainless steel bearing inserts.  
 MUCFPL...SB : Plastic Housing with stainless steel bearing inserts.

S	Bolt Size	Bearing Number	Housing Number	Mass (kg/lbs)		
				UCFL	MUCFL	MUCFPL...SB
<b>34.1</b>	<b>M22</b>	<b>UC217</b>	<b>FL217</b>	<b>9.3</b>	-	-
		UC217-304	FL217			
1.343	7/8	UC217-305	FL217	21	-	-
		UC217-307	FL217			
<b>39.7</b>	<b>M22</b>	<b>UC218</b>	<b>FL218</b>	<b>11</b>	-	-
1.563	7/8	UC218-308	FL218	24	-	-

# Flanged Unit Cast Housing (2 Bolt - Oval)



■ Set Screw Type - UCFLX Series



Shaft Dia.	Unit Number	Basic Dimensions									
		H	J	A <sub>2</sub>	A <sub>1</sub>	A	N	L	A <sub>0</sub>	B	
<b>25</b>	<b>UCFLX05</b>	<b>141</b>	<b>117</b>	<b>18</b>	<b>13</b>	<b>30</b>	<b>12</b>	<b>83</b>	<b>40.2</b>	<b>38.1</b>	
13/16	UCFLX05-013										
7/8	UCFLX05-014	5 9/16	4 39/64	45/64	1/2	1 3/16	15/32	3 9/32	1 37/64	1.5000	
15/16	UCFLX05-015										
1	UCFLX05-100										
<b>30</b>	<b>UCFLX06</b>	<b>156</b>	<b>130</b>	<b>19</b>	<b>15</b>	<b>34</b>	<b>16</b>	<b>95</b>	<b>44.4</b>	<b>42.9</b>	
1 1/16	UCFLX06-101										
1 1/8	UCFLX06-102	6 5/32	5 1/8	3/4	19/32	1 11/32	5/8	3 3/4	1 3/4	1.6890	
1 3/16	UCFLX06-103										
1 1/4	UCFLX06-104										
<b>35</b>	<b>UCFLX07</b>	<b>171</b>	<b>144</b>	<b>21</b>	<b>16</b>	<b>38</b>	<b>16</b>	<b>105</b>	<b>51.2</b>	<b>49.2</b>	
1 5/16	UCFLX07-105										
1 3/8	UCFLX07-106	6 23/32	5 43/64	53/64	5/8	1 1/2	5/8	4 1/8	2 1/64	1.9370	
1 7/16	UCFLX07-107										
<b>40</b>	<b>UCFLX08</b>	<b>179</b>	<b>148</b>	<b>22</b>	<b>16</b>	<b>40</b>	<b>16</b>	<b>111</b>	<b>52.2</b>	<b>49.2</b>	
1 1/2	UCFLX08-108										
1 9/16	UCFLX08-109	7 1/16	5 53/64	55/64	5/8	1 9/16	5/8	4 3/8	2 1/16	1.9370	
<b>45</b>	<b>UCFLX09</b>	<b>189</b>	<b>157</b>	<b>23</b>	<b>16</b>	<b>40</b>	<b>16</b>	<b>116</b>	<b>55.6</b>	<b>51.6</b>	
1 5/8	UCFLX09-110										
1 11/16	UCFLX09-111	7 7/16	6 3/16	29/32	5/8	1 9/16	5/8	4 9/16	2 3/16	2.0315	
1 3/4	UCFLX09-112										
1 13/16	UCFLX09-113										
<b>50</b>	<b>UCFLX10</b>	<b>216</b>	<b>184</b>	<b>26</b>	<b>18</b>	<b>44</b>	<b>19</b>	<b>133</b>	<b>59.4</b>	<b>55.6</b>	
1 7/8	UCFLX10-114										
1 15/16	UCFLX10-115	8 1/2	7 1/4	1 1/32	23/32	1 23/32	3/4	5 1/4	2 11/32	2.1890	
2	UCFLX10-200										



# Flanged Unit Cast Housing (2 Bolt - Oval)

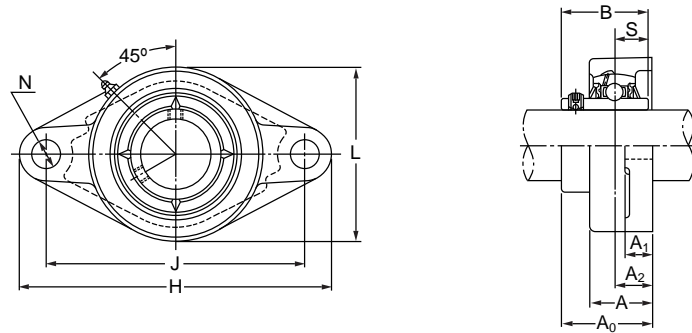
	Bolt Size	Bearing Number	Housing Number	Mass
S	mm inch			kg/lbs
<b>15.9</b>	<b>M10</b>	<b>UCX05</b>	<b>FLX05</b>	<b>1.0</b>
		UCX05-013	FLX05	
0.626	3/8	UCX05-014	FLX05	2.2
		UCX05-015	FLX05	
		UCX05-100	FLX05	
<b>17.5</b>	<b>M14</b>	<b>UCX06</b>	<b>FLX06</b>	<b>1.5</b>
		UCX06-101	FLX06	
0.689	1/2	UCX06-102	FLX06	3.3
		UCX06-103	FLX06	
		UCX06-104	FLX06	
<b>19</b>	<b>M14</b>	<b>UCX07</b>	<b>FLX07</b>	<b>2.0</b>
		UCX07-105	FLX07	
0.748	1/2	UCX07-106	FLX07	4.4
		UCX07-107	FLX07	
<b>19</b>	<b>M14</b>	<b>UCX08</b>	<b>FLX08</b>	<b>2.2</b>
		UCX08-108	FLX08	
0.748	1/2	UCX08-109	FLX08	4.9
<b>19</b>	<b>M14</b>	<b>UCX09</b>	<b>FLX09</b>	<b>2.4</b>
		UCX09-110	FLX09	
0.748	1/2	UCX09-111	FLX09	5.3
		UCX09-112	FLX09	
		UCX09-113	FLX09	
<b>22.2</b>	<b>M16</b>	<b>UCX10</b>	<b>FLX10</b>	<b>3.4</b>
		UCX10-114	FLX10	
0.874	5/8	UCX10-115	FLX10	7.5
		UCX10-200	FLX10	



# Flanged Unit Cast Housing (2 Bolt - Oval)



■ Set Screw Type - UCFL 300 Series



Shaft Dia. mm inch	Unit Number	Basic Dimensions									
		H	J	A <sub>2</sub>	A <sub>1</sub>	A	N	L	A <sub>0</sub>	B	
<b>25</b>	<b>UCFL305</b>	<b>150</b>	<b>113</b>	<b>16</b>	<b>13</b>	<b>29</b>	<b>19</b>	<b>80</b>	<b>39</b>	<b>38</b>	
13/16	UCFL305-013										
7/8	UCFL305-014	5 29/32	4 7/16	5/8	1/2	1 5/32	3/4	3 5/32	1 17/32	1.4961	
15/16	UCFL305-015										
1	UCFL305-100										
<b>30</b>	<b>UCFL306</b>	<b>180</b>	<b>134</b>	<b>18</b>	<b>15</b>	<b>32</b>	<b>23</b>	<b>90</b>	<b>44</b>	<b>43</b>	
1 1/16	UCFL306-101										
1 1/8	UCFL306-102	7 3/32	5 9/32	45/64	19/32	1 1/4	29/32	3 17/32	1 47/64	1.6929	
1 3/16	UCFL306-103										
<b>35</b>	<b>UCFL307</b>	<b>185</b>	<b>141</b>	<b>20</b>	<b>16</b>	<b>36</b>	<b>23</b>	<b>100</b>	<b>49</b>	<b>48</b>	
1 1/4	UCFL307-104										
1 5/16	UCFL307-105	7 9/32	5 35/64	25/32	5/8	1 13/32	29/32	3 15/16	1 59/64	1.8898	
1 3/8	UCFL307-106										
1 7/16	UCFL307-107										
<b>40</b>	<b>UCFL308</b>	<b>200</b>	<b>158</b>	<b>23</b>	<b>17</b>	<b>40</b>	<b>23</b>	<b>112</b>	<b>56</b>	<b>52</b>	
1 1/2	UCFL308-108										
1 9/16	UCFL308-109	7 7/8	6 7/32	29/32	21/32	1 9/16	29/32	4 13/32	2 13/64	2.0472	
<b>45</b>	<b>UCFL309</b>	<b>230</b>	<b>177</b>	<b>25</b>	<b>18</b>	<b>44</b>	<b>25</b>	<b>125</b>	<b>60</b>	<b>57</b>	
1 5/8	UCFL309-110										
1 11/16	UCFL309-111	9 1/16	6 31/32	63/64	23/32	1 23/32	63/64	4 29/32	2 23/64	2.2441	
1 3/4	UCFL309-112										
<b>50</b>	<b>UCFL310</b>	<b>240</b>	<b>187</b>	<b>28</b>	<b>19</b>	<b>48</b>	<b>25</b>	<b>140</b>	<b>67</b>	<b>61</b>	
1 13/16	UCFL310-113										
1 7/8	UCFL310-114	9 7/16	7 23/64	1 7/64	3/4	1 7/8	63/64	5 1/2	2 41/64	2.4016	
1 15/16	UCFL310-115										
<b>55</b>	<b>UCFL311</b>	<b>250</b>	<b>198</b>	<b>30</b>	<b>20</b>	<b>52</b>	<b>25</b>	<b>150</b>	<b>71</b>	<b>66</b>	
2	UCFL311-200										
2 1/16	UCFL311-201	9 27/32	7 51/64	1 3/16	25/32	2 1/16	63/64	5 29/32	2 51/64	2.5984	
2 1/8	UCFL311-202										
2 3/16	UCFL311-203										



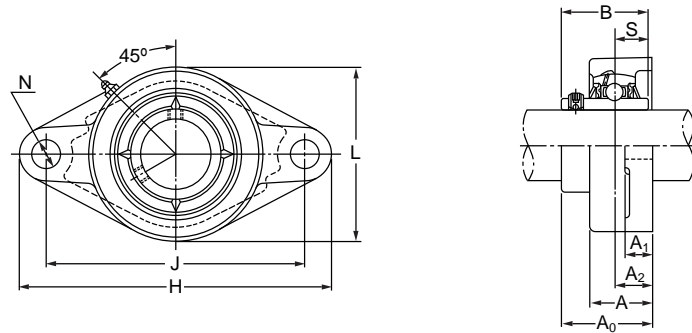
# Flanged Unit Cast Housing (2 Bolt - Oval)

	Bolt Size	Bearing Number	Housing Number	Mass
S	mm inch			UCFL kg/lbs
<b>15</b>	<b>M16</b>	<b>UC305</b>	<b>FL305</b>	<b>1.1</b>
		UC305-013	FL305	
0.591	5/8	UC305-014	FL305	2.4
		UC305-015	FL305	
		UC305-100	FL305	
<b>17</b>	<b>M20</b>	<b>UC306</b>	<b>FL306</b>	<b>1.5</b>
		UC306-101	FL306	
0.669	3/4	UC306-102	FL306	3.3
		UC306-103	FL306	
<b>19</b>	<b>M20</b>	<b>UC307</b>	<b>FL307</b>	<b>1.9</b>
		UC307-104	FL307	
0.748	3/4	UC307-105	FL307	4.2
		UC307-106	FL307	
		UC307-107	FL307	
<b>19</b>	<b>M20</b>	<b>UC308</b>	<b>FL308</b>	<b>2.5</b>
		UC308-108	FL308	
0.748	3/4	UC308-109	FL308	5.5
<b>22</b>	<b>M22</b>	<b>UC309</b>	<b>FL309</b>	<b>3.4</b>
		UC309-110	FL309	
0.866	7/8	UC309-111	FL309	7.5
		UC309-112	FL309	
<b>22</b>	<b>M22</b>	<b>UC310</b>	<b>FL310</b>	<b>4.4</b>
		UC310-113	FL310	
0.866	7/8	UC310-114	FL310	9.7
		UC310-115	FL310	
<b>25</b>	<b>M22</b>	<b>UC311</b>	<b>FL311</b>	<b>5.1</b>
		UC311-200	FL311	
0.984	7/8	UC311-201	FL311	11
		UC311-202	FL311	
		UC311-203	FL311	

# Flanged Unit Cast Housing (2 Bolt - Oval)



■ Set Screw Type - UCFL 300 Series



Shaft Dia. mm inch	Unit Number	Basic Dimensions									
		H	J	A <sub>2</sub>	A <sub>1</sub>	A	N	L	A <sub>0</sub>	B	
<b>60</b> 2 1/4 2 5/16 2 3/8 2 7/16	<b>UCFL312</b> UCFL312-204 UCFL312-205 UCFL312-206 UCFL312-207	<b>270</b> 10 5/8	<b>212</b> 8 11/32	<b>33</b> 1 19/64	<b>22</b> 7/8	<b>56</b> 2 7/32	<b>31</b> 1 7/32	<b>160</b> 6 5/16	<b>78</b> 3 5/64	<b>71</b> 2.7953	
<b>65</b> 2 1/2 2 9/16	<b>UCFL313</b> UCFL313-208 UCFL313-209	<b>295</b> 11 5/8	<b>240</b> 9 29/64	<b>33</b> 1 19/64	<b>25</b> 31/32	<b>58</b> 2 9/32	<b>31</b> 1 7/32	<b>175</b> 6 7/8	<b>78</b> 3 5/64	<b>75</b> 2.9528	
<b>70</b> 2 5/8 2 11/16 2 3/4	<b>UCFL314</b> UCFL314-210 UCFL314-211 UCFL314-212	<b>315</b> 12 13/32	<b>250</b> 9 27/32	<b>36</b> 1 27/64	<b>28</b> 1 3/32	<b>61</b> 2 13/32	<b>35</b> 1 3/8	<b>185</b> 7 9/32	<b>81</b> 3 3/16	<b>78</b> 3.0709	
<b>75</b> 2 13/16 2 7/8 2 15/16 3	<b>UCFL315</b> UCFL315-213 UCFL315-214 UCFL315-215 UCFL315-300	<b>320</b> 12 19/32	<b>260</b> 10 15/64	<b>39</b> 1 17/32	<b>30</b> 1 3/16	<b>66</b> 2 19/32	<b>35</b> 1 3/8	<b>195</b> 7 11/16	<b>89</b> 3 1/2	<b>82</b> 3.2283	
<b>80</b> 3 1/16 3 1/8 3 3/16	<b>UCFL316</b> UCFL316-301 UCFL316-302 UCFL316-303	<b>355</b> 13 31/32	<b>285</b> 11 7/32	<b>38</b> 1 1/2	<b>32</b> 1 1/4	<b>68</b> 2 11/16	<b>38</b> 1 1/2	<b>210</b> 8 9/32	<b>90</b> 3 35/64	<b>86</b> 3.3858	
<b>85</b> 3 1/4 3 5/16 3 7/16	<b>UCFL317</b> UCFL317-304 UCFL317-305 UCFL317-307	<b>370</b> 14 9/16	<b>300</b> 11 13/16	<b>44</b> 1 47/64	<b>32</b> 1 1/4	<b>74</b> 2 29/32	<b>38</b> 1 1/2	<b>220</b> 8 21/32	<b>100</b> 3 15/16	<b>96</b> 3.7795	
<b>90</b> 3 7/16 3 1/2	<b>UCFL318</b> UCFL318-307 UCFL318-308	<b>385</b> 15 5/32	<b>315</b> 12 13/32	<b>44</b> 1 47/64	<b>36</b> 1 13/32	<b>76</b> 3	<b>38</b> 1 1/2	<b>235</b> 9 1/4	<b>100</b> 3 15/16	<b>96</b> 3.7795	
<b>95</b> 3 5/8 3 11/16 3 3/4	<b>UCFL319</b> UCFL319-310 UCFL319-311 UCFL319-312	<b>405</b> 15 15/16	<b>330</b> 12 63/64	<b>59</b> 2 21/64	<b>40</b> 1 9/16	<b>94</b> 3 11/16	<b>41</b> 1 39/64	<b>250</b> 9 27/32	<b>121</b> 4 49/64	<b>103</b> 4.0551	



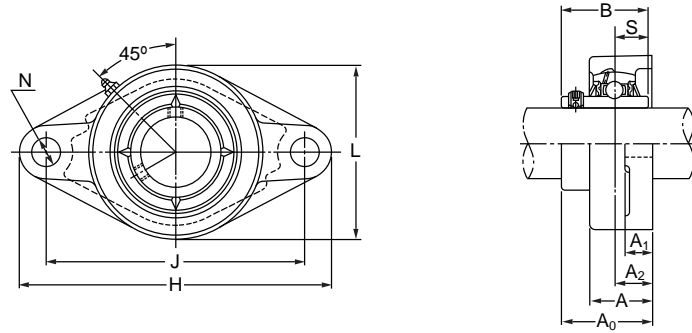
# Flanged Unit Cast Housing (2 Bolt - Oval)

	Bolt Size	Bearing Number	Housing Number	Mass
<b>26</b> 1.024	<b>M27</b> 1	<b>UC312</b> UC312-204 UC312-205 UC312-206 UC312-207	<b>FL312</b> FL312 FL312 FL312 FL312	<b>6.1</b> 13
<b>30</b> 1.181	<b>M27</b> 1	<b>UC313</b> UC313-208 UC313-209	<b>FL313</b> FL313 FL313	<b>7.8</b> 17
<b>33</b> 1.299	<b>M30</b> 1 1/8	<b>UC314</b> UC314-210 UC314-211 UC314-212	<b>FL314</b> FL314 FL314 FL314	<b>9.0</b> 20
<b>32</b> 1.260	<b>M30</b> 1 1/8	<b>UC315</b> UC315-213 UC315-214 UC315-215 UC315-300	<b>FL315</b> FL315 FL315 FL315 FL315	<b>10</b> 22
<b>34</b> 1.339	<b>M33</b> 1 1/4	<b>UC316</b> UC316-301 UC316-302 UC316-303	<b>FL316</b> FL316 FL316 FL316	<b>13</b> 29
<b>40</b> 1.575	<b>M33</b> 1 1/4	<b>UC317</b> UC317-304 UC317-305 UC317-307	<b>FL317</b> FL317 FL317 FL317	<b>15</b> 33
<b>40</b> 1.575	<b>M33</b> 1 1/4	<b>UC318</b> UC318-307 UC318-308	<b>FL318</b> FL318 FL318	<b>18</b> 40
<b>41</b> 1.614	<b>M36</b> 1 3/8	<b>UC319</b> UC319-310 UC319-311 UC319-312	<b>FL319</b> FL319 FL319 FL319	<b>22</b> 49

# Flanged Unit Cast Housing (2 Bolt - Oval)



■ Set Screw Type - UCFL 300 Series



Shaft Dia.	Unit Number	Basic Dimensions									
		mm					inch				
mm inch		H	J	A <sub>2</sub>	A <sub>1</sub>	A	N	L	A <sub>0</sub>	B	
<b>100</b>	<b>UCFL320</b>	<b>440</b>	<b>360</b>	<b>59</b>	<b>40</b>	<b>94</b>	<b>44</b>	<b>270</b>	<b>125</b>	<b>108</b>	
3 13/16	UCFL320-313										
3 7/8	UCFL320-314										
3 15/16	UCFL320-315	17 5/16	14 11/64	2 21/64	1 9/16	3 11/16	1 47/64	10 5/8	4 59/64	4.2520	
4	UCFL320-400										
<b>105</b>	<b>UCFL321</b>	<b>440</b>	<b>360</b>	<b>59</b>	<b>40</b>	<b>94</b>	<b>44</b>	<b>270</b>	<b>127</b>	<b>112</b>	
<b>110</b>	<b>UCFL322</b>	<b>470</b>	<b>390</b>	<b>60</b>	<b>42</b>	<b>96</b>	<b>44</b>	<b>300</b>	<b>131</b>	<b>117</b>	
<b>120</b>	<b>UCFL324</b>	<b>520</b>	<b>430</b>	<b>65</b>	<b>48</b>	<b>110</b>	<b>47</b>	<b>330</b>	<b>140</b>	<b>126</b>	
<b>130</b>	<b>UCFL326</b>	<b>550</b>	<b>460</b>	<b>65</b>	<b>50</b>	<b>115</b>	<b>47</b>	<b>360</b>	<b>146</b>	<b>135</b>	
<b>140</b>	<b>UCFL328</b>	<b>600</b>	<b>500</b>	<b>75</b>	<b>60</b>	<b>125</b>	<b>51</b>	<b>400</b>	<b>161</b>	<b>145</b>	



# Flanged Unit Cast Housing (2 Bolt - Oval)

	Bolt Size	Bearing Number	Housing Number	Mass
S	mm inch			UCFL kg/lbs
<b>42</b>	<b>M39</b>	<b>UC320</b>	<b>FL320</b>	<b>27</b>
		UC320-313	FL320	
1.654	1 1/2	UC320-314	FL320	60
		UC320-315	FL320	
		UC320-400	FL320	
<b>44</b>	<b>M39</b>	<b>UC321</b>	<b>FL321</b>	<b>27</b>
<b>46</b>	<b>M39</b>	<b>UC322</b>	<b>FL322</b>	<b>33</b>
<b>51</b>	<b>M42</b>	<b>UC324</b>	<b>FL324</b>	<b>48</b>
<b>54</b>	<b>M42</b>	<b>UC326</b>	<b>FL326</b>	<b>58</b>
<b>59</b>	<b>M45</b>	<b>UC328</b>	<b>FL328</b>	<b>81</b>



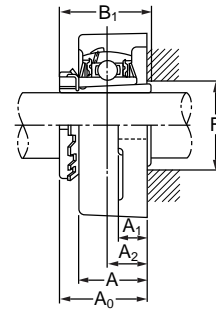
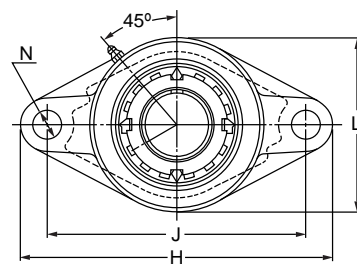
2.16

2.16

# Flanged Unit Cast Housing (2 Bolt - Oval)



■ Taper Bored with Adapter Sleeve - UKFL 200 Series



Shaft Dia.	Unit Number	Basic Dimensions							
		mm		inch		mm			
mm		H	J	A <sub>2</sub>	A <sub>1</sub>	A	N	L	A <sub>0</sub>
<b>20</b>	<b>UKFL205 ; H2305</b>	<b>130</b>	<b>99</b>	<b>16</b>	<b>13</b>	<b>27</b>	<b>16</b>	<b>68</b>	<b>35.5</b>
3/4	UKFL205 ; HE2305	5 1/8	3 57/64	5/8	1/2	1 1/16	5/8	2 11/16	1 25/64
<b>25</b>	<b>UKFL206 ; H2306</b>	<b>148</b>	<b>117</b>	<b>18</b>	<b>13</b>	<b>31</b>	<b>16</b>	<b>80</b>	<b>39</b>
7/8	UKFL206 ; HS2306	5 13/16	4 39/64	45/64	1/2	1 7/32	5/8	3 5/32	1 17/32
1	UKFL206 ; HE2306								
<b>30</b>	<b>UKFL207 ; H2307</b>	<b>161</b>	<b>130</b>	<b>19</b>	<b>15</b>	<b>34</b>	<b>16</b>	<b>90</b>	<b>42.5</b>
1 1/8	UKFL207 ; HS2307	6 11/32	5 1/8	3/4	19/32	1 11/32	5/8	3 17/32	1 43/64
<b>35</b>	<b>UKFL208 ; H2308</b>	<b>175</b>	<b>144</b>	<b>21</b>	<b>15</b>	<b>36</b>	<b>16</b>	<b>100</b>	<b>46.5</b>
1 1/4	UKFL208 ; HE2308	6 7/8	5 43/64	53/64	19/32	1 13/32	5/8	3 15/16	1 53/64
1 3/8	UKFL208 ; HS2308								
<b>40</b>	<b>UKFL209 ; H2309</b>	<b>188</b>	<b>148</b>	<b>22</b>	<b>16</b>	<b>38</b>	<b>19</b>	<b>108</b>	<b>48.5</b>
1 7/16	UKFL209 ; HA2309								
1 1/2	UKFL209 ; HE2309	7 13/32	5 53/64	55/64	5/8	1 1/2	3/4	4 1/4	1 29/32
1 5/8	UKFL209 ; HS2309								
<b>45</b>	<b>UKFL210 ; H2310</b>	<b>197</b>	<b>157</b>	<b>22</b>	<b>16</b>	<b>40</b>	<b>19</b>	<b>115</b>	<b>50</b>
1 5/8	UKFL210 ; HS2310								
1 11/16	UKFL210 ; HA2310	7 3/4	6 3/16	55/64	5/8	1 9/16	3/4	4 17/32	1 31/32
1 3/4	UKFL210 ; HE2310								
<b>50</b>	<b>UKFL211 ; H2311</b>	<b>224</b>	<b>184</b>	<b>25</b>	<b>18</b>	<b>43</b>	<b>19</b>	<b>130</b>	<b>54.5</b>
1 7/8	UKFL211 ; HS2311								
1 15/16	UKFL211 ; HA2311	8 13/16	7 1/4	63/64	23/32	1 11/16	3/4	5 1/8	2 9/64
2	UKFL211 ; HE2311								
<b>55</b>	<b>UKFL212 ; H2312</b>	<b>250</b>	<b>202</b>	<b>29</b>	<b>18</b>	<b>48</b>	<b>23</b>	<b>140</b>	<b>61</b>
2 1/8	UKFL212 ; HS2312	9 27/32	7 61/64	1 9/64	23/32	1 7/8	29/32	5 1/2	2 13/32
<b>60</b>	<b>UKFL213 ; H2313</b>	<b>258</b>	<b>210</b>	<b>30</b>	<b>22</b>	<b>50</b>	<b>23</b>	<b>155</b>	<b>64</b>
2 3/16	UKFL213 ; HA2313								
2 1/4	UKFL213 ; HE2313	10 5/32	8 17/64	1 3/16	7/8	1 31/32	29/32	6 3/32	2 33/64
2 3/8	UKFL213 ; HS2313								
<b>65</b>	<b>UKFL215 ; H2315</b>	<b>275</b>	<b>225</b>	<b>34</b>	<b>22</b>	<b>56</b>	<b>23</b>	<b>165</b>	<b>71</b>
2 7/16	UKFL215 ; HA2315								
2 1/2	UKFL215 ; HE2315	10 13/16	8 55/64	1 11/32	7/8	2 7/32	29/32	6 1/2	2 51/64



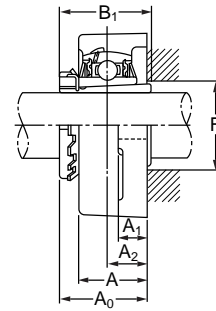
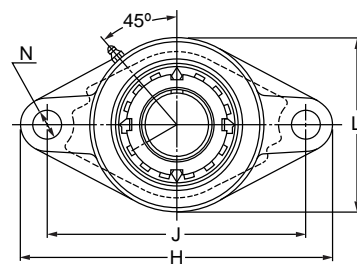
# Flanged Unit Cast Housing (2 Bolt - Oval)

B <sub>1</sub>	F	Bolt Size	Bearing Number	Housing Number	Mass
		mm			UKFL
inch		inch			kg/lbs
<b>35</b>	<b>30</b>	<b>M14</b>	<b>UK205 ; H2305</b>	<b>FL205</b>	<b>0.6</b>
1.378	1 3/16	1/2	UK205 ; HE2305	FL205	1.3
<b>38</b>	<b>36</b>	<b>M14</b>	<b>UK206 ; H2306</b>	<b>FL206</b>	<b>1.0</b>
1.496	1 13/32	1/2	UK206 ; HS2306	FL206	2.2
			UK206 ; HE2306	FL206	
<b>43</b>	<b>40</b>	<b>M14</b>	<b>UK207 ; H2307</b>	<b>FL207</b>	<b>1.3</b>
1.693	1 9/16	1/2	UK207 ; HS2307	FL207	2.9
<b>46</b>	<b>46</b>	<b>M14</b>	<b>UK208 ; H2308</b>	<b>FL208</b>	<b>1.6</b>
1.811	1 13/16	1/2	UK208 ; HE2308	FL208	3.5
			UK208 ; HS2308	FL208	
<b>50</b>	<b>52</b>	<b>M16</b>	<b>UK209 ; H2309</b>	<b>FL209</b>	<b>2.0</b>
			UK209 ; HA2309	FL209	
1.969	2 1/16	5/8	UK209 ; HE2309	FL209	4.4
			UK209 ; HS2309	FL209	
<b>55</b>	<b>57</b>	<b>M16</b>	<b>UK210 ; H2310</b>	<b>FL210</b>	<b>2.3</b>
			UK210 ; HS2310	FL210	
2.165	2 1/4	5/8	UK210 ; HA2310	FL210	5.1
			UK210 ; HE2310	FL210	
<b>59</b>	<b>64</b>	<b>M16</b>	<b>UK211 ; H2311</b>	<b>FL211</b>	<b>3.3</b>
			UK211 ; HS2311	FL211	
2.323	2 17/32	5/8	UK211 ; HA2311	FL211	7.3
			UK211 ; HE2311	FL211	
<b>62</b>	<b>69</b>	<b>M20</b>	<b>UK212 ; H2312</b>	<b>FL212</b>	<b>4.0</b>
2.4410	2 23/32	3/4	UK212 ; HS2312	FL212	8.8
<b>65</b>	<b>74</b>	<b>M20</b>	<b>UK213 ; H2313</b>	<b>FL213</b>	<b>5.2</b>
			UK213 ; HA2313	FL213	
2.559	2 29/32	3/4	UK213 ; HE2313	FL213	11
			UK213 ; HS2313	FL213	
<b>73</b>	<b>84</b>	<b>M20</b>	<b>UK215 ; H2315</b>	<b>FL215</b>	<b>6.4</b>
			UK215 ; HA2315	FL215	
2.874	3 5/16	3/4	UK215 ; HE2315	FL215	14
			UK215 ; HE2315	FL215	

# Flanged Unit Cast Housing (2 Bolt - Oval)



■ Taper Bored with Adapter Sleeve - UKFL 200 Series



Shaft Dia.	Unit Number	Basic Dimensions							
		mm		inch		mm		inch	
mm inch		H	J	A <sub>2</sub>	A <sub>1</sub>	A	N	L	A <sub>0</sub>
<b>70</b>	<b>UKFL216 ; H2316</b>	<b>290</b>	<b>233</b>	<b>34</b>	<b>22</b>	<b>58</b>	<b>25</b>	<b>180</b>	<b>73.5</b>
2 11/16	UKFL216 ; HA2316	11 13/32	9 11/64	1 11/32	7/8	2 9/32	63/64	7 3/32	2 57/64
2 3/4	UKFL216 ; HE2316								
<b>75</b>	<b>UKFL217 ; H2317</b>	<b>305</b>	<b>248</b>	<b>36</b>	<b>24</b>	<b>63</b>	<b>25</b>	<b>190</b>	<b>77</b>
2 15/16	UKFL217 ; HA2317	12	9 49/64	1 27/64	15/16	2 15/32	63/64	7 15/32	3 1/32
3	UKFL217 ; HE2317								
<b>80</b>	<b>UKFL218 ; H2318</b>	<b>320</b>	<b>265</b>	<b>40</b>	<b>24</b>	<b>68</b>	<b>25</b>	<b>205</b>	<b>81.5</b>
3 3/16	UKFL218 ; HA2318	12 19/32	10 7/16	1 37/64	15/16	2 11/16	63/64	8 1/16	3 13/64



# Flanged Unit Cast Housing (2 Bolt - Oval)

B <sub>1</sub>	F	Bolt Size	Bearing Number	Housing Number	Mass
		mm inch			UKFL kg/lbs
<b>78</b>	<b>90</b>	<b>M22</b>	<b>UK216 ; H2316</b>	<b>FL216</b>	<b>8.6</b>
3.071	3 17/32	7/8	UK216 ; HA2316 UK216 ; HE2316	FL216 FL216	19
<b>82</b>	<b>95</b>	<b>M22</b>	<b>UK217 ; H2317</b>	<b>FL217</b>	<b>9.8</b>
3.228	3 3/4	7/8	UK217 ; HA2317 UK217 ; HE2317	FL217 FL217	22
<b>86</b>	<b>102</b>	<b>M22</b>	<b>UK218 ; H2318</b>	<b>FL218</b>	<b>12</b>
3.386	4 1/32	7/8	UK218 ; HA2318	FL218	26

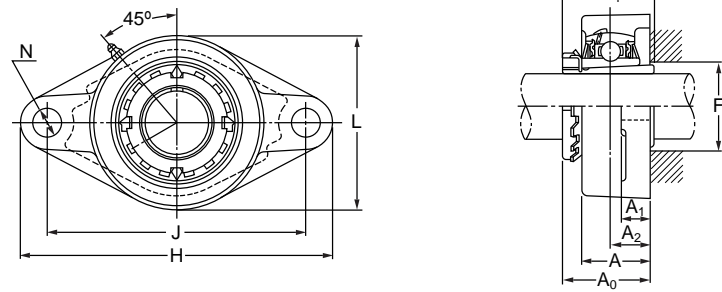
2.17

2.17

# Flanged Unit Cast Housing (2 Bolt - Oval)



■ Taper Bored with Adapter Sleeve - UKFLX Series



Shaft Dia.	Unit Number	Basic Dimensions							
		mm		inch		mm			
mm		H	J	A <sub>2</sub>	A <sub>1</sub>	A	N	L	A <sub>0</sub>
<b>20</b>	<b>UKFLX05 ; H2305</b>	<b>141</b>	<b>117</b>	<b>18</b>	<b>13</b>	<b>30</b>	<b>12</b>	<b>83</b>	<b>39</b>
3/4	UKFLX05 ; HE2305	5 9/16	4 39/64	45/64	1/2	1 3/16	15/32	3 9/32	1 17/32
<b>25</b>	<b>UKFLX06 ; H2306</b>	<b>156</b>	<b>130</b>	<b>19</b>	<b>15</b>	<b>34</b>	<b>16</b>	<b>95</b>	<b>41.5</b>
7/8	UKFLX06 ; HS2306	6 5/32	5 1/8	3/4	19/32	1 11/32	5/8	3 3/4	1 41/64
1	UKFLX06 ; HE2306								
<b>30</b>	<b>UKFLX07 ; H2307</b>	<b>171</b>	<b>144</b>	<b>21</b>	<b>16</b>	<b>38</b>	<b>16</b>	<b>105</b>	<b>45.5</b>
1 1/8	UKFLX07 ; HS2307	6 23/32	5 43/64	53/64	5/8	1 1/2	5/8	4 1/8	1 51/64
<b>35</b>	<b>UKFLX08 ; H2308</b>	<b>179</b>	<b>148</b>	<b>22</b>	<b>16</b>	<b>40</b>	<b>16</b>	<b>111</b>	<b>47.5</b>
1 1/4	UKFLX08 ; HE2308	7 1/16	5 53/64	55/64	5/8	1 9/16	5/8	4 3/8	1 7/8
1 3/8	UKFLX08 ; HS2308								
<b>40</b>	<b>UKFLX09 ; H2309</b>	<b>189</b>	<b>157</b>	<b>23</b>	<b>16</b>	<b>40</b>	<b>16</b>	<b>116</b>	<b>50</b>
1 7/16	UKFLX09 ; HA2309								
1 1/2	UKFLX09 ; HE2309	7 7/16	6 3/16	29/32	5/8	1 9/16	5/8	4 9/16	1 31/32
1 5/8	UKFLX09 ; HS2309								
<b>45</b>	<b>UKFLX10 ; H2310</b>	<b>216</b>	<b>184</b>	<b>26</b>	<b>18</b>	<b>44</b>	<b>19</b>	<b>133</b>	<b>55.5</b>
1 5/8	UKFLX10 ; HS2310								
1 11/16	UKFLX10 ; HA2310	8 1/2	7 1/4	1 1/32	23/32	1 23/32	3/4	5 1/4	2 3/16
1 3/4	UKFLX10 ; HE2310								



# Flanged Unit Cast Housing (2 Bolt - Oval)

B <sub>1</sub>	F	Bolt Size	Bearing Number	Housing Number	Mass
		mm			UKFL
inch		inch			kg/lbs
<b>35</b>	<b>30</b>	<b>M10</b>	<b>UKX05 ; H2305</b>	<b>FLX05</b>	<b>1.0</b>
1.378	1 3/16	3/8	UKX05 ; HE2305	FLX05	2.2
<b>38</b>	<b>36</b>	<b>M14</b>	<b>UKX06 ; H2306</b>	<b>FLX06</b>	<b>1.3</b>
1.496	1 13/32	1/2	UKX06 ; HS2306	FLX06	2.9
			UKX06 ; HE2306	FLX06	
<b>43</b>	<b>40</b>	<b>M14</b>	<b>UKX07 ; H2307</b>	<b>FLX07</b>	<b>2.0</b>
1.693	1 9/16	1/2	UKX07 ; HS2307	FLX07	4.4
<b>46</b>	<b>46</b>	<b>M14</b>	<b>UKX08 ; H2308</b>	<b>FLX08</b>	<b>2.1</b>
1.811	1 13/16	1/2	UKX08 ; HE2308	FLX08	4.6
			UKX08 ; HS2308	FLX08	
<b>50</b>	<b>52</b>	<b>M14</b>	<b>UKX09 ; H2309</b>	<b>FLX08</b>	<b>2.4</b>
			UKX09 ; HA2309	FLX09	
1.969	2 1/16	1/2	UKX09 ; HE2309	FLX09	5.3
			UKX09 ; HS2309	FLX09	
<b>55</b>	<b>57</b>	<b>M16</b>	<b>UKX10 ; H2310</b>	<b>FLX10</b>	<b>3.3</b>
			UKX10 ; HS2310	FLX10	
2.165	2 1/4	5/8	UKX10 ; HA2310	FLX10	7.3
			UKX10 ; HE2310	FLX10	

2.18

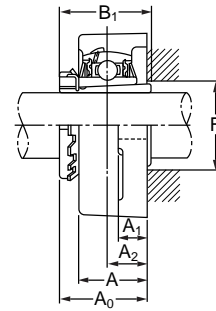
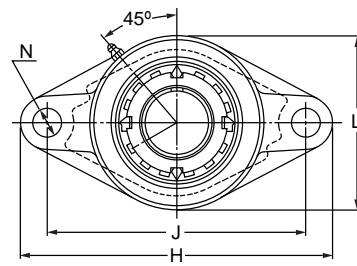
2.18



# Flanged Unit Cast Housing (2 Bolt - Oval)



■ Taper Bored with Adapter Sleeve - UKFL 300 Series



Shaft Dia.	Unit Number	Basic Dimensions							
		mm		inch		mm			
mm		H	J	A <sub>2</sub>	A <sub>1</sub>	A	N	L	A <sub>0</sub>
<b>20</b>	<b>UKFL305 ; H2305</b>	<b>150</b>	<b>113</b>	<b>16</b>	<b>13</b>	<b>29</b>	<b>19</b>	<b>80</b>	<b>37</b>
3/4	UKFL305 ; HE2305	5 29/32	4 29/64	5/8	1/2	1 5/32	3/4	3 5/32	1 29/64
<b>25</b>	<b>UKFL306 ; H2306</b>	<b>180</b>	<b>134</b>	<b>18</b>	<b>15</b>	<b>32</b>	<b>23</b>	<b>90</b>	<b>40.5</b>
7/8	UKFL306 ; HS2306	7 3/32	5 9/32	45/64	19/32	1 1/4	29/32	3 17/32	1 19/32
1	UKFL306 ; HE2306								
<b>30</b>	<b>UKFL307 ; H2307</b>	<b>185</b>	<b>141</b>	<b>20</b>	<b>16</b>	<b>36</b>	<b>23</b>	<b>100</b>	<b>45.5</b>
1 1/8	UKFL307 ; HS2307	7 9/32	5 35/64	25/32	5/8	1 13/32	29/32	3 15/16	1 51/64
<b>35</b>	<b>UKFL308 ; H2308</b>	<b>200</b>	<b>158</b>	<b>23</b>	<b>17</b>	<b>40</b>	<b>23</b>	<b>112</b>	<b>50</b>
1 1/4	UKFL308 ; HE2308	7 7/8	6 7/32	29/32	21/32	1 9/16	29/32	4 13/32	1 31/32
1 3/8	UKFL308 ; HS2308								
<b>40</b>	<b>UKFL309 ; H2309</b>	<b>230</b>	<b>177</b>	<b>25</b>	<b>18</b>	<b>44</b>	<b>25</b>	<b>125</b>	<b>54.5</b>
1 7/16	UKFL309 ; HA2309								
1 1/2	UKFL309 ; HE2309	9 1/16	6 31/32	63/64	23/32	1 23/32	63/64	4 29/32	2 9/64
1 5/8	UKFL309 ; HS2309								
<b>45</b>	<b>UKFL310 ; H2310</b>	<b>240</b>	<b>187</b>	<b>28</b>	<b>19</b>	<b>48</b>	<b>25</b>	<b>140</b>	<b>60.5</b>
1 5/8	UKFL310 ; HS2310								
1 11/16	UKFL310 ; HA2310	9 7/16	7 23/64	1 7/64	3/4	1 7/8	63/64	5 1/2	2 3/8
1 3/4	UKFL310 ; HE2310								
<b>50</b>	<b>UKFL311 ; H2311</b>	<b>250</b>	<b>198</b>	<b>30</b>	<b>20</b>	<b>52</b>	<b>25</b>	<b>150</b>	<b>64</b>
1 7/8	UKFL311 ; HS2311								
1 15/16	UKFL311 ; HA2311	9 27/32	7 51/64	1 3/16	25/32	2 1/16	63/64	5 29/32	2 33/64
2	UKFL311 ; HE2311								
<b>55</b>	<b>UKFL312 ; H2312</b>	<b>270</b>	<b>212</b>	<b>33</b>	<b>22</b>	<b>56</b>	<b>31</b>	<b>160</b>	<b>69.5</b>
2 1/8	UKFL312 ; HS2312	10 5/8	8 11/32	1 19/64	7/8	2 7/32	1 7/32	6 5/16	2 47/64
<b>60</b>	<b>UKFL313 ; H2313</b>	<b>295</b>	<b>240</b>	<b>33</b>	<b>25</b>	<b>58</b>	<b>31</b>	<b>175</b>	<b>71.5</b>
2 3/16	UKFL313 ; HA2313								
2 1/4	UKFL313 ; HE2313	11 5/8	9 29/64	1 19/64	31/32	2 9/32	1 7/32	6 7/8	2 13/16
2 3/8	UKFL313 ; HS2313								
<b>65</b>	<b>UKFL315 ; H2315</b>	<b>320</b>	<b>260</b>	<b>39</b>	<b>30</b>	<b>66</b>	<b>35</b>	<b>195</b>	<b>81.5</b>
2 7/16	UKFL315 ; HA2315								
2 1/2	UKFL315 ; HE2315	12 19/32	10 15/64	1 17/32	1 3/16	2 19/32	1 3/8	7 11/16	3 13/64



# Flanged Unit Cast Housing (2 Bolt - Oval)

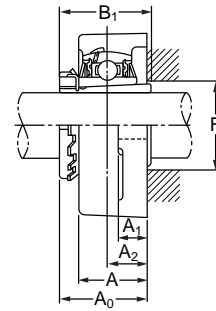
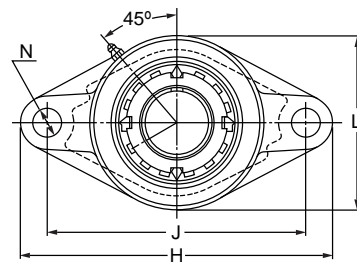
B <sub>1</sub>	Bolt Size	Bearing Number	Housing Number	Mass
	mm			UKFL
	inch			kg/lb
<b>35</b>	<b>M16</b>	<b>UK305 ; H2305</b>	<b>FL305</b>	<b>1.1</b>
1.378	5/8	UK305 ; HE2305	FL305	2.4
<b>38</b>	<b>M20</b>	<b>UK306 ; H2306</b>	<b>FL306</b>	<b>1.5</b>
1.496	3/4	UK306 ; HS2306	FL306	3.3
		UK306 ; HE2306	FL306	
<b>43</b>	<b>M20</b>	<b>UK307 ; H2307</b>	<b>FL307</b>	<b>1.9</b>
1.693	3/4	UK307 ; HS2307	FL307	4.2
<b>46</b>	<b>M20</b>	<b>UK308 ; H2308</b>	<b>FL308</b>	<b>2.5</b>
1.811	3/4	UK308 ; HE2308	FL308	5.5
		UK308 ; HS2308	FL308	
<b>50</b>	<b>M22</b>	<b>UK309 ; H2309</b>	<b>FL309</b>	<b>3.5</b>
		UK309 ; HA2309	FL309	
1.969	7/8	UK309 ; HE2309	FL309	7.7
		UK309 ; HS2309	FL309	
<b>55</b>	<b>M22</b>	<b>UK310 ; H2310</b>	<b>FL310</b>	<b>4.4</b>
		UK310 ; HS2310	FL310	
2.165	7/8	UK310 ; HA2310	FL310	9.7
		UK310 ; HE2310	FL310	
<b>59</b>	<b>M22</b>	<b>UK311 ; H2311</b>	<b>FL311</b>	<b>5.1</b>
		UK311 ; HS2311	FL311	
2.323	7/8	UK311 ; HA2311	FL311	11
		UK311 ; HE2311	FL311	
<b>62</b>	<b>M27</b>	<b>UK312 ; H2312</b>	<b>FL312</b>	<b>6.0</b>
2.4410	1	UK312 ; HS2312	FL312	13
<b>65</b>	<b>M27</b>	<b>UK313 ; H2313</b>	<b>FL313</b>	<b>7.6</b>
		UK313 ; HA2313	FL313	
2.559	1	UK313 ; HE2313	FL313	17
		UK313 ; HS2313	FL313	
<b>73</b>	<b>M30</b>	<b>UK315 ; H2315</b>	<b>FL315</b>	<b>10</b>
		UK315 ; HA2315	FL315	
2.874	1 1/8	UK315 ; HE2315	FL315	22
		UK315 ; HS2315	FL315	



# Flanged Unit Cast Housing (2 Bolt - Oval)



■ Taper Bored with Adapter Sleeve - UKFL 300 Series



Shaft Dia.	Unit Number	Basic Dimensions									
		mm		mm		inch		mm		inch	
mm		H	J	A <sub>2</sub>	A <sub>1</sub>	A	N	L	A <sub>0</sub>		
<b>70</b>	<b>UKFL316 ; H2316</b>	<b>355</b>	<b>285</b>	<b>38</b>	<b>32</b>	<b>68</b>	<b>38</b>	<b>210</b>	<b>84</b>		
2 11/16	UKFL316 ; HA2316	13 31/32	11 7/32	1 1/2	1 1/4	2 11/16	1 1/2	8 9/32	3 5/16		
2 3/4	UKFL316 ; HE2316										
<b>75</b>	<b>UKFL317 ; H2317</b>	<b>370</b>	<b>300</b>	<b>44</b>	<b>32</b>	<b>74</b>	<b>38</b>	<b>220</b>	<b>92</b>		
2 15/16	UKFL317 ; HA2317	14 9/16	11 13/16	1 47/64	1 1/4	2 29/32	1 1/2	8 21/32	3 5/8		
3	UKFL317 ; HE2317										
<b>80</b>	<b>UKFL318 ; H2318</b>	<b>385</b>	<b>315</b>	<b>44</b>	<b>36</b>	<b>76</b>	<b>38</b>	<b>235</b>	<b>94</b>		
3 3/16	UKFL318 ; HA2318	15 5/32	12 13/32	1 47/64	1 13/32	3	1 1/2	9 1/4	3 45/64		
<b>85</b>	<b>UKFL319 ; H2319</b>	<b>405</b>	<b>330</b>	<b>59</b>	<b>40</b>	<b>94</b>	<b>41</b>	<b>250</b>	<b>111.5</b>		
3 1/4	UKFL319 ; HE2319	15 15/16	12 63/64	2 21/64	1 9/16	3 11/16	1 39/64	9 27/32	4 25/64		
<b>90</b>	<b>UKFL320 ; H2320</b>	<b>440</b>	<b>360</b>	<b>59</b>	<b>40</b>	<b>94</b>	<b>44</b>	<b>270</b>	<b>115.5</b>		
3 7/16	UKFL320 ; HA2320	17 5/16	14 11/64	2 21/64	1 9/16	3 11/16	1 39/64	10 5/8	4 35/64		
3 1/2	UKFL320 ; HE2320										
<b>100</b>	<b>UKFL322 ; H2322</b>	<b>470</b>	<b>390</b>	<b>60</b>	<b>42</b>	<b>96</b>	<b>44</b>	<b>300</b>	<b>121</b>		
<b>110</b>	<b>UKFL324 ; H2324</b>	<b>520</b>	<b>430</b>	<b>65</b>	<b>48</b>	<b>110</b>	<b>47</b>	<b>330</b>	<b>130</b>		
<b>115</b>	<b>UKFL326 ; H2326</b>	<b>550</b>	<b>460</b>	<b>65</b>	<b>50</b>	<b>115</b>	<b>47</b>	<b>360</b>	<b>133</b>		
<b>125</b>	<b>UKFL328 ; H2328</b>	<b>600</b>	<b>500</b>	<b>75</b>	<b>60</b>	<b>125</b>	<b>51</b>	<b>400</b>	<b>146.5</b>		



# Flanged Unit Cast Housing (2 Bolt - Oval)

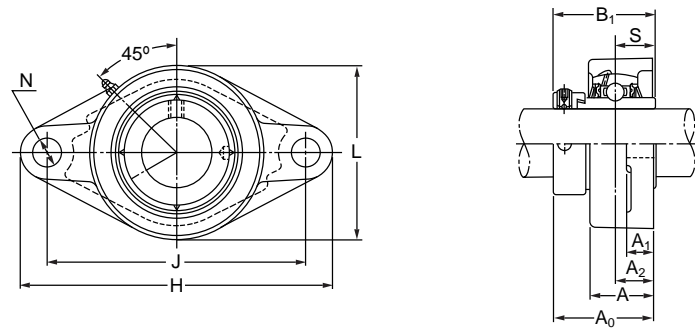
	Bolt Size	Bearing Number	Housing Number	Mass
B <sub>1</sub>	mm			UKFL
inch	inch			kg/lb
<b>78</b>	<b>M33</b>	<b>UK316 ; H2316</b>	<b>FL316</b>	<b>13</b>
3.071	1 1/4	UK316 ; HA2316	FL316	29
		UK316 ; HE2316	FL316	
<b>82</b>	<b>M33</b>	<b>UK317 ; H2317</b>	<b>FL317</b>	<b>15</b>
3.228	1 1/4	UK317 ; HA2317	FL317	33
		UK317 ; HE2317	FL317	
<b>86</b>	<b>M33</b>	<b>UK318 ; H2318</b>	<b>FL318</b>	<b>18</b>
3.386	1 1/4	UK318 ; HA2318	FL318	40
<b>90</b>	<b>M36</b>	<b>UK319 ; H2318</b>	<b>FL319</b>	<b>22</b>
3.543	1 3/8	UK319 ; HE2319	FL319	49
<b>97</b>	<b>M39</b>	<b>UK320 ; H2320</b>	<b>FL320</b>	<b>27</b>
3.819	1 1/2	UK320 ; HA2320	FL320	60
		UK320 ; HE2320	FL320	
<b>105</b>	<b>M39</b>	<b>UK322 ; H2322</b>	<b>FL322</b>	<b>34</b>
<b>112</b>	<b>M42</b>	<b>UK324 ; H2324</b>	<b>FL324</b>	<b>47</b>
<b>121</b>	<b>M42</b>	<b>UK326 ; H2326</b>	<b>FL326</b>	<b>58</b>
<b>131</b>	<b>M45</b>	<b>UK328 ; H2328</b>	<b>FL328</b>	<b>82</b>



# Flanged Unit Cast Housing (2 Bolt - Oval)



■ Eccentric Locking Collar Type - UELFL 200 Series



Shaft Dia. mm inch	Unit Number	Basic Dimensions									
		H	J	A <sub>2</sub>	A <sub>1</sub>	A	N	L	A <sub>0</sub>	B <sub>1</sub>	
<b>20</b> 3/4	<b>UELFL204</b> UELFL204-012	<b>113</b> 4 7/16	<b>90</b> 3 35/64	<b>15</b> 19/32	<b>11</b> 7/16	<b>25.5</b> 1	<b>12</b> 15/32	<b>60</b> 2 3/8	<b>41.6</b> 1 41/64	<b>43.7</b> 1.720	
<b>25</b> 13/16 7/8 15/16 1	<b>UELFL205</b> UELFL205-013 UELFL205-014 UELFL205-015 UELFL205-100	<b>130</b> 5 1/8	<b>99</b> 3 57/64	<b>16</b> 5/8	<b>13</b> 1/2	<b>27</b> 1 1/16	<b>16</b> 5/8	<b>68</b> 2 11/64	<b>42.9</b> 1 11/16	<b>44.4</b> 1.748	
<b>30</b> 1 1/16 1 1/8 1 3/16 1 1/4	<b>UELFL206</b> UELFL206-101 UELFL206-102 UELFL206-103 UELFL206-104	<b>148</b> 5 13/16	<b>117</b> 4 9/64	<b>18</b> 45/64	<b>13</b> 1/2	<b>31</b> 1 7/32	<b>16</b> 5/8	<b>80</b> 3 5/32	<b>48.1</b> 1 57/64	<b>48.4</b> 1.906	
<b>35</b> 1 1/4 1 5/16 1 3/8 1 7/16	<b>UELFL207</b> UELFL207-104 UELFL207-105 UELFL207-106 UELFL207-107	<b>161</b> 6 11/32	<b>130</b> 5 1/8	<b>19</b> 3/4	<b>15</b> 19/32	<b>34</b> 1 11/32	<b>16</b> 5/8	<b>90</b> 3 17/32	<b>51.3</b> 2 1/64	<b>51.1</b> 2.012	
<b>40</b> 1 1/2 1 9/16	<b>UELFL208</b> UELFL208-108 UELFL208-109	<b>175</b> 6 7/8	<b>144</b> 5 43/64	<b>21</b> 53/64	<b>15</b> 19/32	<b>36</b> 1 13/32	<b>16</b> 5/8	<b>100</b> 3 15/16	<b>55.9</b> 2 13/16	<b>56.3</b> 2.217	
<b>45</b> 1 5/8 1 11/16 1 3/4	<b>UELFL209</b> UELFL209-110 UELFL209-111 UELFL209-112	<b>188</b> 7 13/32	<b>148</b> 5 53/64	<b>22</b> 55/64	<b>16</b> 5/8	<b>38</b> 1 1/2	<b>19</b> 3/4	<b>108</b> 4 1/4	<b>56.9</b> 2 15/64	<b>56.3</b> 2.217	
<b>50</b> 1 13/16 1 7/8 1 15/16 2	<b>UELFL210</b> UELFL210-113 UELFL210-114 UELFL210-115 UELFL210-200	<b>197</b> 7 3/4	<b>157</b> 6 3/16	<b>22</b> 55/64	<b>16</b> 5/8	<b>40</b> 1 9/16	<b>19</b> 3/4	<b>115</b> 4 17/32	<b>60.1</b> 2 23/64	<b>62.7</b> 2.469	



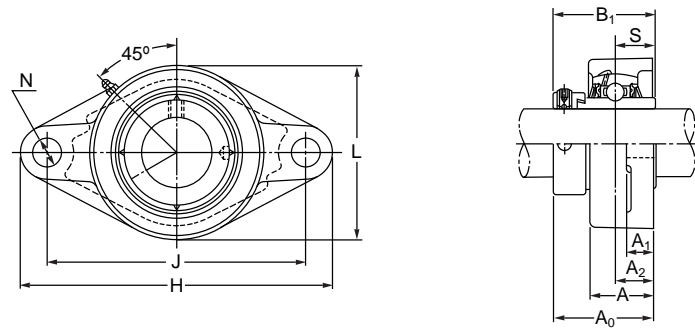
# Flanged Unit Cast Housing (2 Bolt - Oval)

	Bolt Size	Bearing Number	Housing Number	Mass
S	mm inch			UKFL kg/lbs
<b>17.1</b> 0.673	<b>M10</b> 3/8	<b>UEL204</b> UEL204-012	<b>FL204</b> FL204	<b>0.6</b> 1.3
<b>17.5</b> 0.689	<b>M14</b> 1/2	<b>UEL205</b> UEL205-013 UEL205-014 UEL205-015 UEL205-100	<b>FL205</b> FL205 FL205 FL205	<b>0.7</b> 1.5
<b>18.3</b> 0.720	<b>M14</b> 1/2	<b>UEL206</b> UEL206-101 UEL206-102 UEL206-103 UEL206-104	<b>FL206</b> FL206 FL206 FL206 FL206	<b>1.0</b> 2.2
<b>18.8</b> 0.740	<b>M14</b> 1/2	<b>UEL207</b> UEL207-104 UEL207-105 UEL207-106 UEL207-107	<b>FL207</b> FL207 FL207 FL207 FL207	<b>1.3</b> 2.9
<b>21.4</b> 0.843	<b>M14</b> 1/2	<b>UEL208</b> UEL208-108 UEL208-109	<b>FL208</b> FL208 FL208	<b>1.7</b> 3.7
<b>21.4</b> 0.843	<b>M16</b> 5/8	<b>UEL209</b> UEL209-110 UEL209-111 UEL209-112	<b>FL209</b> FL209 FL209 FL209	<b>2.0</b> 4.4
<b>24.6</b> 0.969	<b>M16</b> 5/8	<b>UEL210</b> UEL210-113 UEL210-114 UEL210-115 UEL210-200	<b>FL210</b> FL210 FL210 FL210 FL210	<b>2.3</b> 5.1

# Flanged Unit Cast Housing (2 Bolt - Oval)



■ Eccentric Locking Collar Type - UELFL 200 Series



Shaft Dia.	Unit Number	Basic Dimensions									
		mm					inch				
mm inch		H	J	A <sub>2</sub>	A <sub>1</sub>	A	N	L	A <sub>0</sub>	B <sub>1</sub>	
<b>55</b>	<b>UELFL211</b>	<b>224</b>	<b>184</b>	<b>25</b>	<b>18</b>	<b>43</b>	<b>19</b>	<b>130</b>	<b>68.6</b>	<b>71.4</b>	
2	UELFL211-200										
2 1/16	UELFL211-201	8 13/16	7 1/4	63/64	23/32	1 11/16	3/4	5 1/8	2 45/64	2.811	
2 1/8	UELFL211-202										
2 3/16	UELFL211-203										
<b>60</b>	<b>UELFL212</b>	<b>250</b>	<b>202</b>	<b>29</b>	<b>18</b>	<b>48</b>	<b>23</b>	<b>140</b>	<b>75.8</b>	<b>77.8</b>	
2 1/4	UELFL212-204										
2 5/16	UELFL212-205	9 27/32	7 61/64	1 9/64	23/32	1 7/8	29/32	5 1/2	2 63/64	3.063	
2 3/8	UELFL212-206										
2 7/16	UELFL212-207										
<b>65</b>	<b>UELFL213</b>	<b>258</b>	<b>210</b>	<b>30</b>	<b>22</b>	<b>50</b>	<b>23</b>	<b>155</b>	<b>81.55</b>	<b>85.7</b>	
2 1/2	UELFL213-208										
2 9/16	UELFL213-209	10 5/32	8 17/64	1 3/16	7/8	1 31/32	29/32	6 3/32	3 31/64	3.374	
<b>70</b>	<b>UELFL214</b>	<b>265</b>	<b>216</b>	<b>31</b>	<b>22</b>	<b>54</b>	<b>23</b>	<b>160</b>	<b>82.55</b>	<b>85.7</b>	
2 5/8	UELFL214-210										
2 11/16	UELFL214-211	10 7/16	8 1/2	1 7/32	7/8	2 1/8	29/32	6 5/16	3 1/4	3.374	
2 3/4	UELFL214-212										
<b>75</b>	<b>UELFL215</b>	<b>275</b>	<b>225</b>	<b>34</b>	<b>22</b>	<b>56</b>	<b>23</b>	<b>165</b>	<b>88.7</b>	<b>92</b>	
2 13/16	UELFL215-213										
2 7/8	UELFL215-214	10 13/16	8 55/64	1 11/32	7/8	2 7/32	29/32	6 1/2	3 31/64	3.622	
2 15/16	UELFL215-215										
3	UELFL215-300										



# Flanged Unit Cast Housing (2 Bolt - Oval)

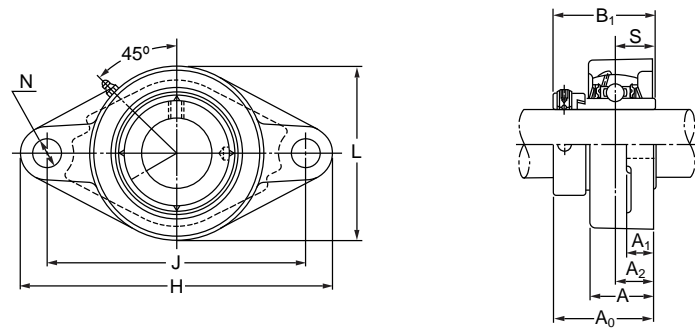
	Bolt Size	Bearing Number	Housing Number	Mass
S	mm inch			kg/lbs
<b>27.8</b>	<b>M16</b>	<b>UEL211</b>	<b>FL211</b>	<b>3.3</b>
1.094	5/8	UEL211-200	FL211	7.3
		UEL211-201	FL211	
		UEL211-202	FL211	
		UEL211-203	FL211	
<b>31</b>	<b>M20</b>	<b>UEL212</b>	<b>FL212</b>	<b>4.3</b>
1.220	3/4	UEL212-204	FL212	9.5
		UEL212-205	FL212	
		UEL212-206	FL212	
		UEL212-207	FL212	
<b>34.15</b>	<b>M20</b>	<b>UEL213</b>	<b>FL213</b>	<b>5.5</b>
1.344	3/4	UEL213-208	FL213	12
		UEL213-209	FL213	
<b>34.15</b>	<b>M20</b>	<b>UEL214</b>	<b>FL214</b>	<b>5.8</b>
1.344	3/4	UEL214-210	FL214	13
		UEL214-211	FL214	
		UEL214-212	FL214	
<b>37.3</b>	<b>M20</b>	<b>UEL215</b>	<b>FL215</b>	<b>6.4</b>
1.469	5/8	UEL215-213	FL215	14
		UEL215-214	FL215	
		UEL215-215	FL215	
		UEL215-300	FL215	



# Flanged Unit Cast Housing (2 Bolt - Oval)



■ Eccentric Locking Collar Type - UELFL 300 Series



Shaft Dia.	Unit Number	Basic Dimensions									
		H	J	A <sub>2</sub>	A <sub>1</sub>	A	N	L	A <sub>0</sub>	B <sub>1</sub>	
mm inch		mm inch									
<b>25</b>	<b>UELFL305</b>	<b>150</b>	<b>113</b>	<b>16</b>	<b>13</b>	<b>29</b>	<b>19</b>	<b>80</b>	<b>46.1</b>	<b>46.8</b>	
13/16	UELFL305-013										
7/8	UELFL305-014	5 29/32	4 29/64	5/8	1/2	1 5/32	3/4	3 5/32	1 13/16	1.843	
15/16	UELFL305-015										
1	UELFL305-100										
<b>30</b>	<b>UELFL306</b>	<b>180</b>	<b>134</b>	<b>18</b>	<b>15</b>	<b>32</b>	<b>23</b>	<b>90</b>	<b>50.5</b>	<b>50</b>	
1 1/16	UELFL306-101										
1 1/8	UELFL306-102	7 3/32	5 9/32	45/64	19/32	1 1/4	29/32	3 17/32	1 63/64	1.969	
1 3/16	UELFL306-103										
<b>35</b>	<b>UELFL307</b>	<b>185</b>	<b>141</b>	<b>20</b>	<b>16</b>	<b>36</b>	<b>23</b>	<b>100</b>	<b>53.3</b>	<b>51.6</b>	
1 1/4	UELFL307-104										
1 5/16	UELFL307-105	7 9/32	5 35/64	25/32	5/8	1 13/32	29/32	3 15/16	2 3/32	2.031	
1 3/8	UELFL307-106										
1 7/16	UELFL307-107										
<b>40</b>	<b>UELFL308</b>	<b>200</b>	<b>158</b>	<b>23</b>	<b>17</b>	<b>40</b>	<b>23</b>	<b>112</b>	<b>60.3</b>	<b>57.1</b>	
1 1/2	UELFL308-108										
1 9/16	UELFL308-109	7 7/8	6 7/32	29/32	21/32	1 9/16	29/32	4 13/32	2 3/8	2.248	
<b>45</b>	<b>UELFL309</b>	<b>230</b>	<b>177</b>	<b>25</b>	<b>18</b>	<b>44</b>	<b>25</b>	<b>125</b>	<b>63.9</b>	<b>58.7</b>	
1 5/8	UELFL309-110										
1 11/16	UELFL309-111	9 1/16	6 31/32	63/64	23/32	1 23/32	63/64	4 29/32	2 33/64	2.311	
1 3/4	UELFL309-112										
<b>50</b>	<b>UELFL310</b>	<b>240</b>	<b>187</b>	<b>28</b>	<b>19</b>	<b>48</b>	<b>25</b>	<b>140</b>	<b>70</b>	<b>66.6</b>	
1 13/16	UELFL310-113										
1 7/8	UELFL310-114	9 7/16	7 23/64	1 7/64	3/4	1 7/8	63/64	5 1/2	2 3/4	2.622	
1 15/16	UELFL310-115										
<b>55</b>	<b>UELFL311</b>	<b>250</b>	<b>198</b>	<b>30</b>	<b>20</b>	<b>52</b>	<b>25</b>	<b>150</b>	<b>75.2</b>	<b>73</b>	
2	UELFL311-200										
2 1/16	UELFL311-201	9 27/32	7 51/64	1 3/16	25/32	2 1/16	63/64	5 29/32	2 61/64	2.874	
2 1/8	UELFL311-202										
2 3/16	UELFL311-203										



# Flanged Unit Cast Housing (2 Bolt - Oval)

	Bolt Size	Bearing Number	Housing Number	Mass
S	mm inch			kg/lbs
<b>16.7</b>	<b>M16</b>	<b>UEL305</b>	<b>FL305</b>	<b>1.1</b>
0.657	5/8	UEL305-013 UEL305-014 UEL305-015 UEL305-100	FL305 FL305 FL305 FL305	2.4
<b>17.5</b>	<b>M20</b>	<b>UEL306</b>	<b>FL306</b>	<b>1.6</b>
0.689	3/4	UEL306-101 UEL306-102 UEL306-103	FL306 FL306 FL306	3.5
<b>18.3</b>	<b>M20</b>	<b>UEL307</b>	<b>FL307</b>	<b>2.0</b>
0.720	3/4	UEL307-104 UEL307-105 UEL307-106 UEL307-107	FL307 FL307 FL307 FL307	4.4
<b>19.8</b>	<b>M20</b>	<b>UEL308</b>	<b>FL308</b>	<b>2.6</b>
0.780	3/4	UEL308-108 UEL308-109	FL308 FL308	5.7
<b>19.8</b>	<b>M22</b>	<b>UEL309</b>	<b>FL309</b>	<b>3.6</b>
0.780	7/8	UEL309-110 UEL309-111 UEL309-112	FL309 FL309 FL309	7.9
<b>24.6</b>	<b>M22</b>	<b>UEL310</b>	<b>FL310</b>	<b>4.6</b>
0.969	7/8	UEL310-113 UEL310-114 UEL310-115	FL310 FL310 FL310	10
<b>27.8</b>	<b>M22</b>	<b>UEL311</b>	<b>FL311</b>	<b>5.3</b>
1.094	7/8	UEL311-200 UEL311-201 UEL311-202 UEL311-203	FL311 FL311 FL311 FL311	12

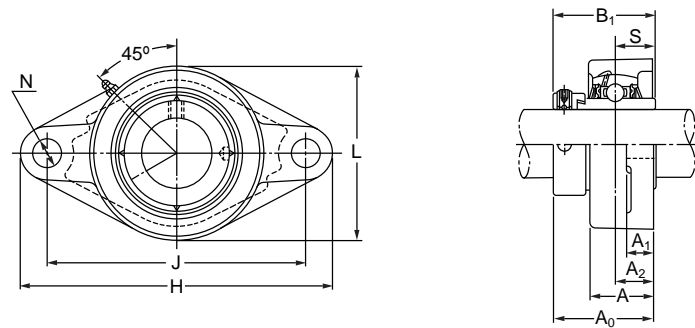
2.21

2.21

# Flanged Unit Cast Housing (2 Bolt - Oval)



■ Eccentric Locking Collar Type - UELFL 300 Series



Shaft Dia. mm inch	Unit Number	Basic Dimensions									
		H	J	A <sub>2</sub>	A <sub>1</sub>	A	N	L	A <sub>0</sub>	B <sub>1</sub>	
<b>60</b> 2 1/4 2 5/16 2 3/8 2 7/16	<b>UELFL312</b> UELFL312-204 UELFL312-205 UELFL312-206 UELFL312-207	<b>270</b> 10 5/8	<b>212</b> 8 11/32	<b>33</b> 1 19/64	<b>22</b> 7/8	<b>56</b> 2 7/32	<b>31</b> 1 7/32	<b>160</b> 6 5/16	<b>81.45</b> 3 13/64	<b>79.4</b> 3.126	
<b>65</b> 2 1/2 2 9/16	<b>UELFL313</b> UELFL313-208 UELFL313-209	<b>295</b> 11 5/8	<b>240</b> 9 29/64	<b>33</b> 1 19/64	<b>25</b> 31/32	<b>58</b> 2 9/32	<b>31</b> 1 7/32	<b>175</b> 6 7/8	<b>86.15</b> 3 25/64	<b>85.7</b> 3.374	
<b>70</b> 2 5/8 2 11/16 2 3/4	<b>UELFL314</b> UELFL314-210 UELFL314-211 UELFL314-212	<b>315</b> 12 13/32	<b>250</b> 9 27/32	<b>36</b> 1 27/64	<b>28</b> 1 3/32	<b>61</b> 2 13/32	<b>35</b> 1 3/8	<b>185</b> 7 9/32	<b>93.95</b> 3 45/64	<b>92.1</b> 3.626	
<b>75</b> 2 13/16 2 7/8 2 15/16 3	<b>UELFL315</b> UELFL315-213 UELFL315-214 UELFL315-215 UELFL315-300	<b>320</b> 12 19/32	<b>260</b> 10 15/64	<b>39</b> 1 17/32	<b>30</b> 1 3/16	<b>66</b> 2 19/32	<b>35</b> 1 3/8	<b>195</b> 7 11/16	<b>101.7</b> 4	<b>100</b> 3.937	
<b>80</b> 3 1/16 3 1/8 3 3/16	<b>UELFL316</b> UELFL316-301 UELFL316-302 UELFL316-303	<b>355</b> 13 31/32	<b>285</b> 11 7/32	<b>38</b> 1 1/2	<b>32</b> 1 1/4	<b>68</b> 2 11/16	<b>38</b> 1 1/2	<b>210</b> 8 9/32	<b>103.9</b> 4 3/32	<b>106.4</b> 4.189	
<b>85</b> 3 1/4 3 5/16 3 7/16	<b>UELFL317</b> UELFL317-304 UELFL317-305 UELFL317-307	<b>370</b> 14 9/16	<b>300</b> 11 13/16	<b>44</b> 1 47/64	<b>32</b> 1 1/4	<b>74</b> 2 29/32	<b>38</b> 1 1/2	<b>220</b> 8 21/32	<b>111.45</b> 4 25/64	<b>109.5</b> 4.311	
<b>90</b> 3 7/16 3 1/2	<b>UELFL318</b> UELFL318-307 UELFL318-308	<b>385</b> 15 5/32	<b>315</b> 12 13/32	<b>44</b> 1 47/64	<b>36</b> 1 13/32	<b>76</b> 3	<b>38</b> 1 1/2	<b>235</b> 9 1/4	<b>116.25</b> 4 37/64	<b>115.9</b> 4.563	
<b>95</b> 3 5/8 3 11/16 3 3/4	<b>UELFL319</b> UELFL319-310 UELFL319-311 UELFL319-312	<b>405</b> 15 15/16	<b>330</b> 12 63/64	<b>59</b> 2 21/64	<b>40</b> 1 9/16	<b>94</b> 3 11/16	<b>41</b> 1 39/64	<b>250</b> 9 27/32	<b>142.4</b> 5 39/64	<b>122.3</b> 4.815	



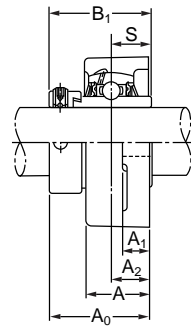
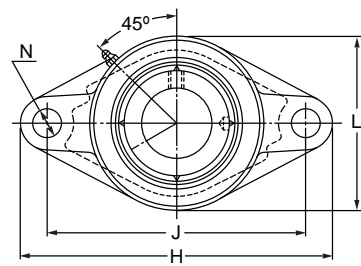
# Flanged Unit Cast Housing (2 Bolt - Oval)

	Bolt Size	Bearing Number	Housing Number	Mass
S	mm inch			kg/lbs
<b>30.95</b> 1.219	<b>M27</b> 1	<b>UEL312</b> UEL312-204 UEL312-205 UEL312-206 UEL312-207	<b>FL312</b> FL312 FL312 FL312 FL312	<b>6.4</b> 14
<b>32.55</b> 1.281	<b>M27</b> 1	<b>UEL313</b> UEL313-208 UEL313-209	<b>FL313</b> FL313 FL313	<b>8.2</b> 18
<b>34.15</b> 1.344	<b>M30</b> 1 1/8	<b>UEL314</b> UEL314-210 UEL314-211 UEL314-212	<b>FL314</b> FL314 FL314 FL314	<b>9.5</b> 21
<b>37.3</b> 1.469	<b>M30</b> 1 1/8	<b>UEL315</b> UEL315-213 UEL315-214 UEL315-215 UEL315-300	<b>FL315</b> FL315 FL315 FL315 FL315	<b>11</b> 24
<b>40.5</b> 1.594	<b>M33</b> 1 1/4	<b>UEL316</b> UEL316-301 UEL316-302 UEL316-303	<b>FL316</b> FL316 FL316 FL316	<b>14</b> 31
<b>42.05</b> 1.656	<b>M33</b> 1 1/4	<b>UEL317</b> UEL317-304 UEL317-305 UEL317-307	<b>FL317</b> FL317 FL317 FL317	<b>16</b> 35
<b>43.65</b> 1.719	<b>M33</b> 1 1/4	<b>UEL318</b> UEL318-307 UEL318-308	<b>FL318</b> FL318 FL318	<b>19</b> 42
<b>38.9</b> 1.531	<b>M36</b> 1 3/8	<b>UEL319</b> UEL319-310 UEL319-311 UEL319-312	<b>FL319</b> FL319 FL319 FL319	<b>24</b> 53

# Flanged Unit Cast Housing (2 Bolt - Oval)



■ Eccentric Locking Collar Type - UELFL 300 Series



Shaft Dia.	Unit Number	Basic Dimensions									
		mm					inch				
mm inch		H	J	A <sub>2</sub>	A <sub>1</sub>	A	N	L	A <sub>0</sub>	B <sub>1</sub>	
<b>100</b>	<b>UELFL320</b>	<b>440</b>	<b>360</b>	<b>59</b>	<b>40</b>	<b>94</b>	<b>44</b>	<b>270</b>	<b>137.6</b>	<b>128.6</b>	
3 13/16	UELFL320-313										
3 7/8	UELFL320-314										
3 15/16	UELFL320-315	17 5/16	14 11/64	2 21/64	1 9/16	3 11/16	1 47/64	10 5/8	5 27/64	5.063	
4	UELFL320-400										
<b>105</b>	<b>UELFL321</b>	<b>440</b>	<b>360</b>	<b>59</b>	<b>40</b>	<b>94</b>	<b>44</b>	<b>270</b>	<b>150.3</b>	<b>139.7</b>	
<b>110</b>	<b>UELFL322</b>	<b>470</b>	<b>390</b>	<b>60</b>	<b>42</b>	<b>96</b>	<b>44</b>	<b>300</b>	<b>152.1</b>	<b>141.3</b>	



# Flanged Unit Cast Housing (2 Bolt - Oval)

2.21

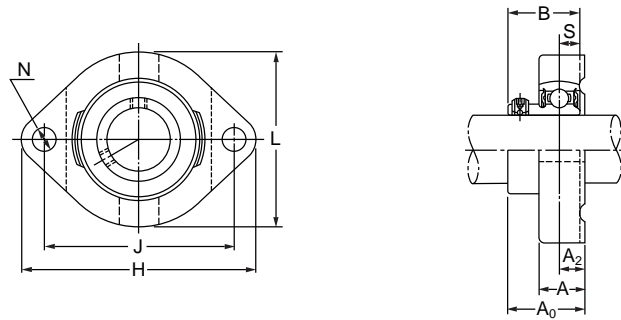
	Bolt Size	Bearing Number	Housing Number	Mass
S	mm inch			kg/lbs
<b>50</b>	<b>M39</b>	<b>UEL320</b>	<b>FL320</b>	<b>29</b>
		UEL320-313	FL320	
		UEL320-314	FL320	
1.969	1 1/2	UEL320-315	FL320	64
		UEL320-400	FL320	
<b>48.4</b>	<b>M39</b>	<b>UEL321</b>	<b>FL321</b>	<b>30</b>
<b>49.2</b>	<b>M39</b>	<b>UEL322</b>	<b>FL322</b>	<b>36</b>



# Flanged Unit Cast Housing (2 Bolt - Oval)



■ Set Screw Type - ASFD 200 Series



Shaft Dia.	Unit Number	Basic Dimensions							
		mm		inch		mm		inch	
mm inch		H	J	A <sub>2</sub>	A	N	L	A <sub>0</sub>	B
<b>12</b>	<b>ASFD201</b>	<b>81</b>	<b>63</b>	<b>8.5</b>	<b>15</b>	<b>7</b>	<b>59</b>	<b>24.5</b>	<b>22</b>
1/2	ASFD201-008	3 3/16	2 31/64	21/64	19/32	9/32	2 5/16	31/32	0.8661
<b>15</b>	<b>ASFD202</b>	<b>81</b>	<b>63</b>	<b>8.5</b>	<b>15</b>	<b>7</b>	<b>59</b>	<b>24.5</b>	<b>22</b>
9/16	ASFD202-009	3 3/16	2 31/64	21/64	19/32	9/32	2 5/16	31/32	0.8661
5/8	ASFD202-010	3 3/16	2 31/64	21/64	19/32	9/32	2 5/16	31/32	0.8661
<b>17</b>	<b>ASFD203</b>	<b>81</b>	<b>63</b>	<b>8.5</b>	<b>15</b>	<b>7</b>	<b>59</b>	<b>24.5</b>	<b>22</b>
11/16	ASFD203-011	3 3/16	2 31/64	21/64	19/32	9/32	2 5/16	31/32	0.8661
<b>20</b>	<b>ASFD204</b>	<b>90</b>	<b>71</b>	<b>9.5</b>	<b>17</b>	<b>10</b>	<b>67</b>	<b>27.5</b>	<b>25</b>
3/4	ASFD204-012	3 35/64	2 51/64	3/8	21/32	25/64	2 5/8	1 5/64	0.9843
<b>25</b>	<b>ASFD205</b>	<b>95</b>	<b>76</b>	<b>9.5</b>	<b>17</b>	<b>10</b>	<b>71</b>	<b>29</b>	<b>27</b>
13/16	ASFD205-013	3 3/4	2 63/64	3/8	21/32	25/64	2 25/32	1 9/64	1.0630
7/8	ASFD205-014	3 3/4	2 63/64	3/8	21/32	25/64	2 25/32	1 9/64	1.0630
15/16	ASFD205-015	3 3/4	2 63/64	3/8	21/32	25/64	2 25/32	1 9/64	1.0630
1	ASFD205-100	3 3/4	2 63/64	3/8	21/32	25/64	2 25/32	1 9/64	1.0630
<b>30</b>	<b>ASFD206</b>	<b>113</b>	<b>90</b>	<b>12</b>	<b>21</b>	<b>12</b>	<b>84</b>	<b>33</b>	<b>29</b>
1 1/16	ASFD206-101	4 7/16	3 35/64	15/32	13/16	15/32	3 5/16	1 19/64	1.1417
1 1/8	ASFD206-102	4 7/16	3 35/64	15/32	13/16	15/32	3 5/16	1 19/64	1.1417
1 3/16	ASFD206-103	4 7/16	3 35/64	15/32	13/16	15/32	3 5/16	1 19/64	1.1417
1 1/4	ASFD206-104	4 7/16	3 35/64	15/32	13/16	15/32	3 5/16	1 19/64	1.1417
<b>35</b>	<b>ASFD207</b>	<b>125</b>	<b>100</b>	<b>12.5</b>	<b>22</b>	<b>12</b>	<b>94</b>	<b>38</b>	<b>34</b>
1 1/4	ASFD207-104	4 29/32	3 15/16	31/64	7/8	15/32	3 11/16	1 1/2	1.3386
1 5/16	ASFD207-105	4 29/32	3 15/16	31/64	7/8	15/32	3 11/16	1 1/2	1.3386
1 3/8	ASFD207-106	4 29/32	3 15/16	31/64	7/8	15/32	3 11/16	1 1/2	1.3386
1 7/16	ASFD207-107	4 29/32	3 15/16	31/64	7/8	15/32	3 11/16	1 1/2	1.3386



# Flanged Unit Cast Housing (2 Bolt - Oval)

	Bolt Size	Bearing Number	Housing Number	Mass
S	mm inch			kg/lbs
<b>6</b>	<b>M6</b>	<b>AS201</b>	<b>FD201</b>	<b>0.3</b>
0.236	1/4	AS201-008	FD201	0.7
<b>6</b>	<b>M6</b>	<b>AS202</b>	<b>FD201</b>	<b>0.3</b>
0.236	1/4	AS202-009 AS202-010	FD201 FD201	0.7
<b>6</b>	<b>M6</b>	<b>AS203</b>	<b>FD201</b>	<b>0.3</b>
0.236	1/4	AS203-011	FD201	0.7
<b>7</b>	<b>M8</b>	<b>AS204</b>	<b>FD204</b>	<b>0.4</b>
0.276	5/16	AS204-012	FD204	0.9
<b>7.5</b>	<b>M8</b>	<b>AS205</b>	<b>FD205</b>	<b>0.5</b>
0.295	5/16	AS205-013 AS205-014 AS205-015 AS205-100	FD205 FD205 FD205 FD205	1.1
<b>8</b>	<b>M10</b>	<b>AS206</b>	<b>FD206</b>	<b>0.8</b>
0.315	3/8	AS206-101 AS206-102 AS206-103 AS206-104	FD206 FD206 FD206 FD206	1.8
<b>8.5</b>	<b>M10</b>	<b>AS207</b>	<b>FD207</b>	<b>0.9</b>
0.335	3/8	AS207-104 AS207-105 AS207-106 AS207-107	FD207 FD207 FD207 FD207	2.0

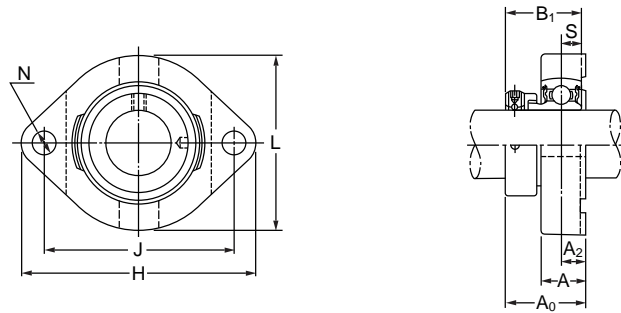




# Flanged Unit Cast Housing (2 Bolt - Oval)



■ Eccentric Locking Collar Type - AELFLD 200 Series



Shaft Dia.	Unit Number	Basic Dimensions							
		mm		inch		mm		inch	
mm inch		H	J	A <sub>2</sub>	A	N	L	A <sub>0</sub>	B
<b>12</b>	<b>AELFD201</b>	<b>81</b>	<b>63</b>	<b>8.5</b>	<b>15</b>	<b>7</b>	<b>59</b>	<b>30.6</b>	<b>28.6</b>
1/2	AELFD201-008	3 3/16	2 31/64	21/64	19/32	9/32	2 5/16	1 13/64	1.126
<b>15</b>	<b>AELFD202</b>	<b>81</b>	<b>63</b>	<b>8.5</b>	<b>15</b>	<b>7</b>	<b>59</b>	<b>30.6</b>	<b>28.6</b>
9/16	AELFD202-009	3 3/16	2 31/64	21/64	19/32	9/32	2 5/16	1 13/64	1.126
5/8	AELFD202-010	3 3/16	2 31/64	21/64	19/32	9/32	2 5/16	1 13/64	1.126
<b>17</b>	<b>AELFD203</b>	<b>81</b>	<b>63</b>	<b>8.5</b>	<b>15</b>	<b>7</b>	<b>59</b>	<b>30.6</b>	<b>28.6</b>
11/16	AELFD203-011	3 3/16	2 31/64	21/64	19/32	9/32	2 5/16	1 13/64	1.126
<b>20</b>	<b>AELFD204</b>	<b>90</b>	<b>71</b>	<b>9.5</b>	<b>17</b>	<b>10</b>	<b>67</b>	<b>33</b>	<b>31</b>
3/4	AELFD204-012	3 17/32	2 51/64	3/8	21/32	25/64	2 5/8	1 19/64	1.220
<b>25</b>	<b>AELFD205</b>	<b>95</b>	<b>76</b>	<b>9.5</b>	<b>17</b>	<b>10</b>	<b>71</b>	<b>33</b>	<b>31</b>
13/16	AELFD205-013	3 3/4	2 63/64	3/8	21/32	25/64	2 25/32	1 19/64	1.220
7/8	AELFD205-014								
15/16	AELFD205-015								
1	AELFD205-100								
<b>30</b>	<b>AELFD206</b>	<b>113</b>	<b>90</b>	<b>12</b>	<b>21</b>	<b>12</b>	<b>84</b>	<b>38.7</b>	<b>35.7</b>
1 1/16	AELFD206-101	4 7/16	3 17/32	15/32	13/16	15/32	3 5/16	1 17/32	1.406
1 1/8	AELFD206-102								
1 3/16	AELFD206-103								
1 1/4	AELFD206-104								
<b>35</b>	<b>AELFD207</b>	<b>125</b>	<b>100</b>	<b>12.5</b>	<b>22</b>	<b>12</b>	<b>94</b>	<b>41.9</b>	<b>38.9</b>
1 1/4	AELFD207-104	4 29/32	3 15/16	31/64	7/8	15/32	3 11/16	1 21/32	1.531
1 5/16	AELFD207-105								
1 3/8	AELFD207-106								
1 7/16	AELFD207-107								



# Flanged Unit Cast Housing (2 Bolt - Oval)

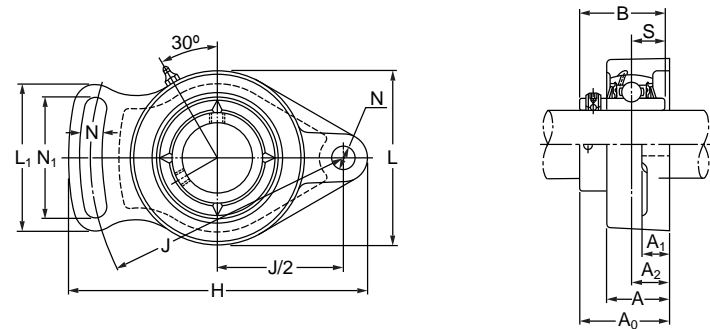
	Bolt Size	Bearing Number	Housing Number	Mass
S	mm inch			kg/lbs
<b>6.5</b>	<b>M6</b>	<b>AEL201</b>	<b>FD201</b>	<b>0.3</b>
0.256	1/4	AEL201-008	FD201	0.7
<b>6.5</b>	<b>M6</b>	<b>AEL202</b>	<b>FD201</b>	<b>0.3</b>
0.256	1/4	AEL202-009	FD201	0.7
		AEL202-010	FD201	
<b>6.5</b>	<b>M6</b>	<b>AEL203</b>	<b>FD201</b>	<b>0.3</b>
0.256	1/4	AEL203-011	FD201	0.7
<b>7.5</b>	<b>M8</b>	<b>AEL204</b>	<b>FD204</b>	<b>0.5</b>
0.295	5/16	AEL204-012	FD204	1.1
<b>7.5</b>	<b>M8</b>	<b>AEL205</b>	<b>FD205</b>	<b>0.5</b>
		AEL205-013	FD205	
		AEL205-014	FD205	
0.295	5/16	AEL205-015	FD205	1.1
		AEL205-100	FD205	
<b>9</b>	<b>M10</b>	<b>AEL206</b>	<b>FD206</b>	<b>0.8</b>
		AEL206-101	FD206	
		AEL206-102	FD206	
0.354	3/8	AEL206-103	FD206	1.8
		AEL206-104	FD206	
<b>9.5</b>	<b>M10</b>	<b>AEL207</b>	<b>FD207</b>	<b>1.0</b>
		AEL207-104	FD207	
		AEL207-105	FD207	
0.374	3/8	AEL207-106	FD207	2.2
		AEL207-107	FD207	



# Flanged Unit Cast Housing (Adjustable)



■ Set Screw Type - UCFA 2 Series



Shaft Dia.	Unit Number	Basic Dimensions								
		mm inch								
mm inch		H	J	A <sub>2</sub>	A <sub>1</sub>	A	N	N <sub>1</sub>	L	L <sub>1</sub>
<b>12</b>	<b>UCFA201</b>	<b>98</b>	<b>78</b>	<b>15</b>	<b>12</b>	<b>25.5</b>	<b>10</b>	<b>40</b>	<b>54</b>	<b>50</b>
1/2	UCFA201-008	3 27/32	3 1/16	19/32	15/32	1	25/64	1 9/16	2 3/8	1 31/32
<b>15</b>	<b>UCFA202</b>	<b>98</b>	<b>78</b>	<b>15</b>	<b>12</b>	<b>25.5</b>	<b>10</b>	<b>40</b>	<b>54</b>	<b>50</b>
9/16	UCFA202-009	3 27/32	3 1/16	19/32	15/32	1	25/64	1 9/16	2 3/8	1 31/32
5/8	UCFA202-010	3 27/32	3 1/16	19/32	15/32	1	25/64	1 9/16	2 3/8	1 31/32
<b>17</b>	<b>UCFA203</b>	<b>98</b>	<b>78</b>	<b>15</b>	<b>12</b>	<b>25.5</b>	<b>10</b>	<b>40</b>	<b>54</b>	<b>50</b>
11/16	UCFA203-011	3 27/32	3 1/16	19/32	15/32	1	25/64	1 9/16	2 3/8	1 31/32
<b>20</b>	<b>UCFA204</b>	<b>98</b>	<b>78</b>	<b>15</b>	<b>12</b>	<b>25.5</b>	<b>10</b>	<b>40</b>	<b>54</b>	<b>50</b>
3/4	UCFC204-012	3 27/32	3 1/16	19/32	15/32	1	25/64	1 9/16	2 3/8	1 31/32
<b>25</b>	<b>UCFA205</b>	<b>124</b>	<b>98</b>	<b>15</b>	<b>14</b>	<b>26.5</b>	<b>13</b>	<b>49</b>	<b>65</b>	<b>64</b>
13/16	UCFA205-013									
7/8	UCFA205-014	4 7/8	3 25/32	19/32	9/16	1 1/32	33/64	1 15/16	2 3/4	2 17/32
15/16	UCFA205-015									
1	UCFA205-100									
<b>30</b>	<b>UCFA206</b>	<b>144</b>	<b>117</b>	<b>18</b>	<b>14</b>	<b>31</b>	<b>13</b>	<b>58</b>	<b>72</b>	<b>68</b>
1 1/16	UCFA206-101									
1 1/8	UCFA206-102	5 9/16	4 17/32	45/64	9/16	1 7/32	33/64	2 3/32	3 5/32	2 11/16
1 3/16	UCFA206-103									
1 1/4	UCFA206-104									
<b>35</b>	<b>UCFA207</b>	<b>161</b>	<b>130</b>	<b>20</b>	<b>16</b>	<b>34</b>	<b>15</b>	<b>66</b>	<b>82</b>	<b>75</b>
1 1/4	UCFA207-104									
1 5/16	UCFA207-105	6 3/32	5 1/32	25/32	5/8	1 11/32	19/32	2 3/8	3 17/32	2 15/16
1 3/8	UCFA207-106									
1 7/16	UCFA207-107									
<b>40</b>	<b>UCFA208</b>	<b>175</b>	<b>144</b>	<b>22</b>	<b>16</b>	<b>36</b>	<b>15</b>	<b>69</b>	<b>87</b>	<b>84</b>
1 1/2	UCFA208-108	6 23/32	5 19/32	55/64	5/8	1 13/32	19/32	2 23/32	3 15/16	3 5/16
1 9/16	UCFA208-109									
<b>45</b>	<b>UCFA209</b>	<b>181</b>	<b>148</b>	<b>22</b>	<b>18</b>	<b>38</b>	<b>17</b>	<b>72</b>	<b>90</b>	<b>88</b>
1 5/8	UCFA209-110									
1 11/16	UCFA209-111	7 1/16	5 3/4	55/64	23/32	1 1/2	43/64	2 27/32	4 11/32	3 15/32
1 3/4	UCFA209-112									



# Flanged Unit Cast Housing (Adjustable)

A <sub>0</sub>	B	S	Bolt Size	Bearing Number	Housing Number	Mass
						mm inch
<b>33.3</b>	<b>31</b>	<b>12.7</b>	<b>M8</b>	<b>UC201</b>	<b>FA204</b>	<b>0.7</b>
1 5/16	1.2205	0.500	5/16	UC201-008	FA204	1.5
<b>33.3</b>	<b>31</b>	<b>12.7</b>	<b>M8</b>	<b>UC202</b>	<b>FA204</b>	<b>0.6</b>
1 5/16	1.2205	0.500	5/16	UC202-009 UC202-010	FA204 FA204	1.3
<b>33.3</b>	<b>31</b>	<b>12.7</b>	<b>M8</b>	<b>UC203</b>	<b>FA204</b>	<b>0.6</b>
1 5/16	1.2205	0.500	5/16	UC203-011	FA204	1.3
<b>33.3</b>	<b>31</b>	<b>12.7</b>	<b>M8</b>	<b>UC204</b>	<b>FA204</b>	<b>0.6</b>
1 5/16	1.2205	0.500	5/16	UC204-012	FA204	1.3
<b>34.8</b>	<b>34.1</b>	<b>14.3</b>	<b>M10</b>	<b>UC205</b>	<b>FA205</b>	<b>0.8</b>
				UC205-013	FA205	
1 3/8	1.3425	0.563	3/8	UC205-013 UC205-014 UC205-100	FA205 FA205 FA205	1.8
<b>40.2</b>	<b>38.1</b>	<b>15.9</b>	<b>M10</b>	<b>UC206</b>	<b>FA206</b>	<b>1.2</b>
				UC206-101	FA206	
1 37/64	1.5000	0.626	3/8	UC206-102 UC206-103 UC206-104	FA206 FA206 FA206	2.6
<b>45.4</b>	<b>42.9</b>	<b>17.5</b>	<b>M12</b>	<b>UC207</b>	<b>FA207</b>	<b>1.5</b>
				UC207-104	FA207	
1 25/32	1.6890	0.689	7/16	UC207-105 UC207-106 UC207-107	FA207 FA207 FA207	3.3
<b>52.2</b>	<b>49.2</b>	<b>19</b>	<b>M12</b>	<b>UC208</b>	<b>FA208</b>	<b>1.8</b>
				UC208-108	FA208	
2 1/16	1.9370	0.748	7/16	UC208-109	FA208	4.0
<b>52.2</b>	<b>49.2</b>	<b>19</b>	<b>M14</b>	<b>UC209</b>	<b>FA209</b>	<b>2.2</b>
				UC209-110	FA209	
2 1/16	1.9370	0.748	1/2	UC209-111 UC209-112	FA209 FA209	4.9

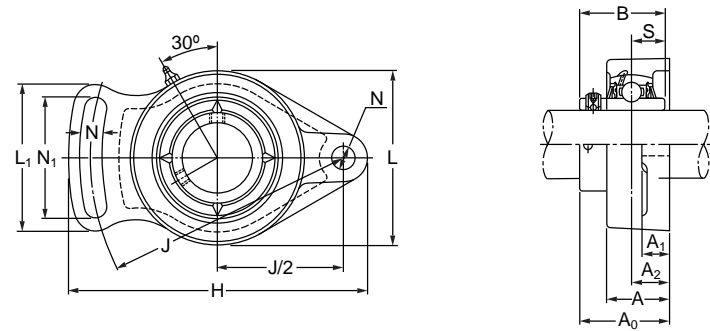
2.24

2.24

# Flanged Unit Cast Housing (Adjustable)



■ Set Screw Type - UCFA 2 Series



Shaft Dia.	Unit Number	Basic Dimensions								
		mm		inch						
mm		H	J	A <sub>2</sub>	A <sub>1</sub>	A	N	N <sub>1</sub>	L	L <sub>1</sub>
<b>50</b>	<b>UCFA210</b>	<b>190</b>	<b>157</b>	<b>22</b>	<b>18</b>	<b>40</b>	<b>17</b>	<b>75</b>	<b>94</b>	<b>92</b>
1 13/16	UCFA210-113									
1 7/8	UCFA210-114	7 7/16	6 3/32	55/64	23/32	1 9/16	43/64	2 15/16	4 17/32	3 5/8
1 15/16	UCFA210-115									
2	UCFA210-200									
<b>55</b>	<b>UCFA211</b>	<b>219</b>	<b>184</b>	<b>26</b>	<b>20</b>	<b>43</b>	<b>17</b>	<b>85</b>	<b>104</b>	<b>102</b>
2	UCFA211-200									
2 1/16	UCFA211-201	8 1/8	7 5/32	1 1/32	25/32	1 11/16	43/64	3 11/32	5 1/8	4 1/32
2 1/8	UCFA211-202									
2 3/16	UCFA211-203									



# Flanged Unit Cast Housing (Adjustable)

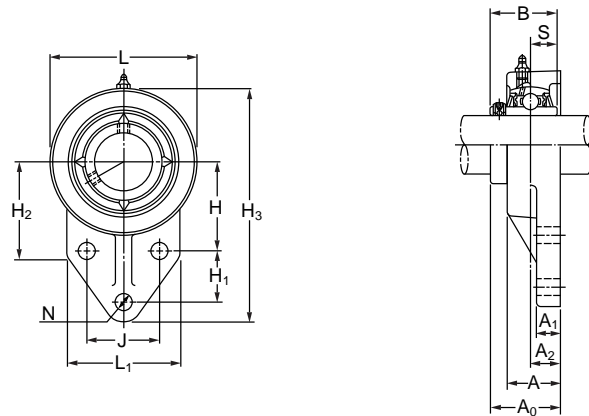
2.24

A <sub>0</sub>	B	S	Bolt Size	Bearing Number	Housing Number	Mass
			mm			kg/lbs
mm			inch			
<b>54.6</b>	<b>51.6</b>	<b>19</b>	<b>M14</b>	<b>UC210</b>	<b>FA210</b>	<b>2.6</b>
				UC210-113	FA210	
2 5/32	2.0315	0.748	1/2	UC210-114	FA210	5.7
				UC210-115	FA210	
				UC210-200	FA210	
<b>59.4</b>	<b>55.6</b>	<b>22.2</b>	<b>M14</b>	<b>UC211</b>	<b>FA211</b>	<b>3.6</b>
				UC211-200	FA211	
2 11/32	2.1890	0.874	1/2	UC211-201	FA211	7.9
				UC211-202	FA211	
				UC211-203	FA211	

# Flanged Unit Cast Housing (3 Bolt Bracket)



■ Set Screw Type - UCFH 200 Series



Shaft Dia.	Unit Number	Basic Dimensions								
		mm inch								
mm inch		H <sub>3</sub>	J	A <sub>2</sub>	A <sub>1</sub>	A	N	H	H <sub>1</sub>	L <sub>1</sub>
<b>12</b>	<b>UCFH201</b>	<b>110</b>	<b>32</b>	<b>15</b>	<b>13</b>	<b>25.5</b>	<b>10</b>	<b>42</b>	<b>27</b>	<b>52</b>
1/2	UCFH201-008	4 11/32	1 17/64	19/32	1/2	1	25/64	1 21/32	1 1/16	2 1/16
<b>15</b>	<b>UCFH202</b>	<b>110</b>	<b>32</b>	<b>15</b>	<b>13</b>	<b>25.5</b>	<b>10</b>	<b>42</b>	<b>27</b>	<b>52</b>
9/16	UCFH202-009	4 11/32	1 17/64	19/32	1/2	1	25/64	1 21/32	1 1/16	2 1/16
5/8	UCFH202-010	4 11/32	1 17/64	19/32	1/2	1	25/64	1 21/32	1 1/16	2 1/16
<b>17</b>	<b>UCFH203</b>	<b>110</b>	<b>32</b>	<b>15</b>	<b>13</b>	<b>25.5</b>	<b>10</b>	<b>42</b>	<b>27</b>	<b>52</b>
11/16	UCFH203-011	4 11/32	1 17/64	19/32	1/2	1	25/64	1 21/32	1 1/16	2 1/16
<b>20</b>	<b>UCFH204</b>	<b>110</b>	<b>32</b>	<b>15</b>	<b>13</b>	<b>25.5</b>	<b>10</b>	<b>42</b>	<b>27</b>	<b>52</b>
3/4	UCFH204-012	4 11/32	1 17/64	19/32	1/2	1	25/64	1 21/32	1 1/16	2 1/16
<b>25</b>	<b>UCFH205</b>	<b>116</b>	<b>34</b>	<b>16</b>	<b>13</b>	<b>27</b>	<b>10</b>	<b>45</b>	<b>27</b>	<b>56</b>
13/16	UCFH205-013									
7/8	UCFH205-014									
15/16	UCFH205-015	4 9/16	1 11/32	5/8	1/2	1 1/16	25/64	1 49/64	1 1/16	2 7/32
1	UCFH205-100									
<b>30</b>	<b>UCFH206</b>	<b>130</b>	<b>40</b>	<b>18</b>	<b>13</b>	<b>31</b>	<b>10</b>	<b>50</b>	<b>29</b>	<b>65</b>
1 1/16	UCFH206-101									
1 1/8	UCFH206-102	5 1/8	37/64	45/64	1/2	1 7/32	25/64	1 31/32	1 9/64	2 9/16
1 3/16	UCFH206-103									
1 1/4	UCFH206-104									
<b>35</b>	<b>UCFH207</b>	<b>144</b>	<b>46</b>	<b>19</b>	<b>15</b>	<b>34</b>	<b>10</b>	<b>55</b>	<b>32</b>	<b>70</b>
1 1/4	UCFH207-104									
1 5/16	UCFH207-105	5 21/32	1 13/16	3/4	19/32	1 11/32	25/64	2 11/64	1 17/64	2 3/4
1 3/8	UCFH207-106									
1 7/16	UCFH207-107									
<b>40</b>	<b>UCFH208</b>	<b>164</b>	<b>50</b>	<b>21</b>	<b>16</b>	<b>36</b>	<b>12</b>	<b>60</b>	<b>41</b>	<b>78</b>
1 1/2	UCFH208-108	6 15/32	1 31/32	53/64	5/8	1 13/32	15/32	2 23/64	1 39/64	3 1/16
1 9/16	UCFH208-109									



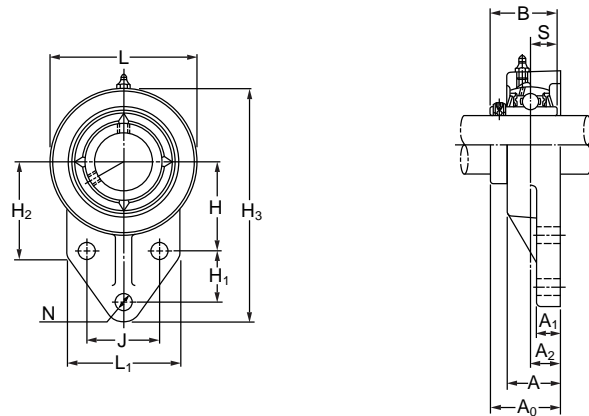
# Flanged Unit Cast Housing (3 Bolt Bracket)

					Bolt Size	Bearing Number	Housing Number	Mass
					mm inch			kg/lbs
H <sub>2</sub>	L	A <sub>0</sub>	B	S				
<b>52</b>	<b>62</b>	<b>33.3</b>	<b>31</b>	<b>12.7</b>	<b>M8</b>	<b>UC201</b>	<b>FH204</b>	<b>0.7</b>
2 1/16	2 7/16	1 5/16	1.2205	0.500	5/16	UC201-008	FH204	1.5
<b>52</b>	<b>62</b>	<b>33.3</b>	<b>31</b>	<b>12.7</b>	<b>M8</b>	<b>UC202</b>	<b>FH204</b>	<b>0.7</b>
2 1/16	2 7/16	1 5/16	1.2205	0.500	5/16	UC202-009 UC202-010	FH204 FH204	1.5
<b>52</b>	<b>62</b>	<b>33.3</b>	<b>31</b>	<b>12.7</b>	<b>M8</b>	<b>UC203</b>	<b>FH204</b>	<b>0.7</b>
2 1/16	2 7/16	1 5/16	1.2205	0.500	5/16	UC203-011	FH204	1.5
<b>52</b>	<b>62</b>	<b>33.3</b>	<b>31</b>	<b>12.7</b>	<b>M8</b>	<b>UC204</b>	<b>FH204</b>	<b>0.7</b>
2 1/16	2 7/16	1 5/16	1.2205	0.500	5/16	UC204-012	FH204	1.5
<b>52</b>	<b>68</b>	<b>35.8</b>	<b>34.1</b>	<b>14.3</b>	<b>M8</b>	<b>UC205</b>	<b>FH205</b>	<b>0.8</b>
2 1/16	2 11/16	1 13/32	1.3425	0.563	5/16	UC205-013 UC205-013 UC205-014 UC205-100	FH205 FH205 FH205 FH205	1.8
<b>55</b>	<b>78</b>	<b>40.2</b>	<b>38.1</b>	<b>15.9</b>	<b>M8</b>	<b>UC206</b>	<b>FH206</b>	<b>1.0</b>
2 5/32	3 1/16	1 37/64	1.5000	0.626	5/16	UC206-101 UC206-102 UC206-103 UC206-104	FH206 FH206 FH206 FH206	2.2
<b>62</b>	<b>90</b>	<b>44.4</b>	<b>42.9</b>	<b>17.5</b>	<b>M8</b>	<b>UC207</b>	<b>FH207</b>	<b>1.3</b>
2 7/16	3 17/32	1 3/4	1.6890	0.689	5/16	UC207-104 UC207-105 UC207-106 UC207-107	FH207 FH207 FH207 FH207	2.9
<b>72</b>	<b>100</b>	<b>51.2</b>	<b>49.2</b>	<b>19</b>	<b>M10</b>	<b>UC208</b>	<b>FH208</b>	<b>1.4</b>
2 27/32	3 15/16	2 1/64	1.9370	0.748	3/8	UC208-108 UC208-109	FH208 FH208	3.1

# Flanged Unit Cast Housing (3 Bolt Bracket)



■ Set Screw Type - UCFH 200 Series



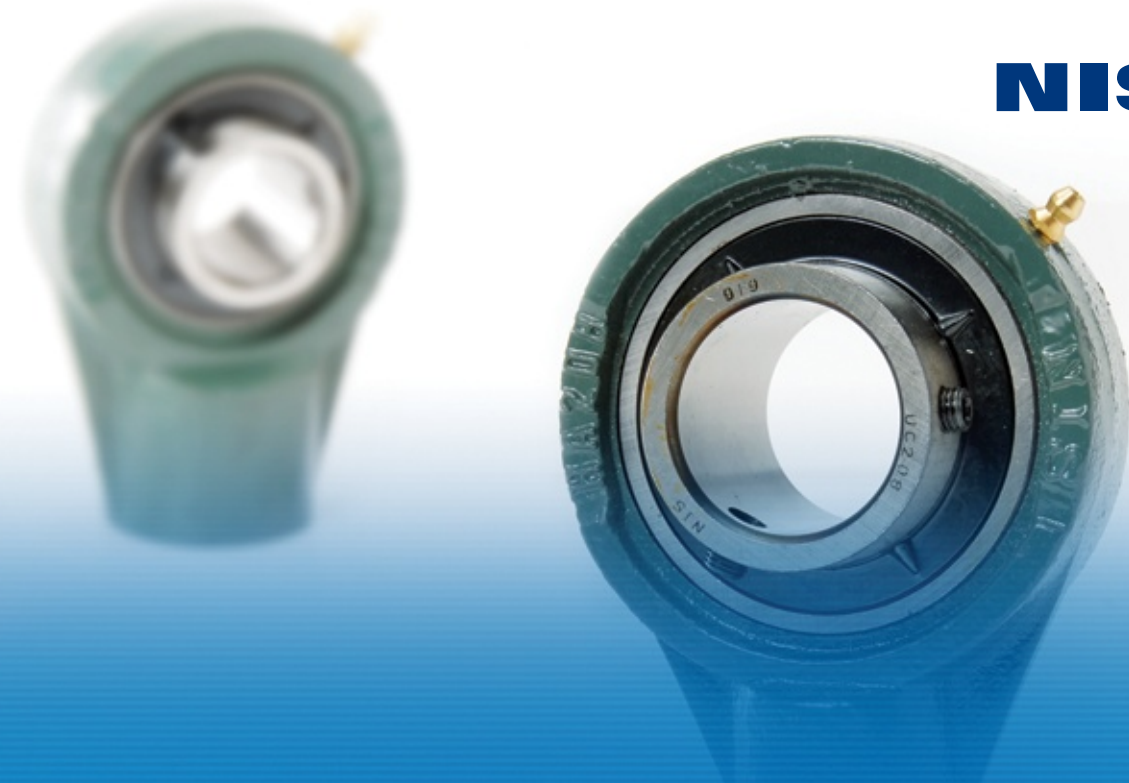
Shaft Dia.	Unit Number	Basic Dimensions								
		H <sub>3</sub>	J	A <sub>2</sub>	A <sub>1</sub>	A	N	H	H <sub>1</sub>	L <sub>1</sub>
45	<b>UCFH209</b>	<b>174</b>	<b>54</b>	<b>22</b>	<b>18</b>	<b>38</b>	<b>12</b>	<b>65</b>	<b>43</b>	<b>80</b>
1 5/8	UCFH209-110									
1 11/16	UCFH209-111	6 27/32	2 1/8	55/64	23/32	1 1/2	15/32	2 9/16	1 11/16	3 5/32
1 3/4	UCFH209-112									
50	<b>UCFH210</b>	<b>184</b>	<b>58</b>	<b>22</b>	<b>18</b>	<b>40</b>	<b>12</b>	<b>68</b>	<b>46</b>	<b>86</b>
1 13/16	UCFH210-113									
1 7/8	UCFH210-114	7 1/4	2 9/32	55/64	23/32	1 9/16	15/32	2 43/64	1 13/16	3 3/8
1 15/16	UCFH210-115									
2	UCFH210-200									



# Flanged Unit Cast Housing (3 Bolt Bracket)

2.25

H <sub>2</sub>	L	A <sub>0</sub>	B	S	Bolt Size	Bearing Number	Housing Number	Mass
					mm inch			kg/lbs
<b>76</b>	<b>106</b>	<b>52.2</b>	<b>49.2</b>	<b>19</b>	<b>M10</b>	<b>UC209</b>	<b>FH209</b>	<b>2.2</b>
						UC209-110	FH209	
3	4 3/16	2 1/16	1.9370	0.748	3/8	UC209-111	FH209	4.9
						UC209-112	FH209	
<b>82</b>	<b>112</b>	<b>54.6</b>	<b>51.6</b>	<b>19</b>	<b>M10</b>	<b>UC210</b>	<b>FH210</b>	<b>2.5</b>
						UC210-113	FH210	
3 7/32	4 13/32	2 5/32	2.0315	0.748	3/8	UC210-114	FH210	5.5
						UC210-115	FH210	
						UC210-200	FH210	

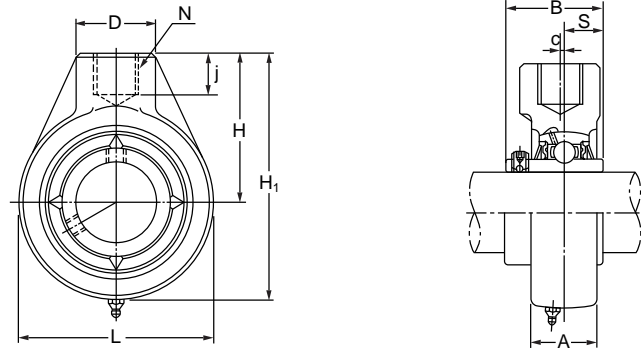


3.00

# Hanger Unit

	Page
3.01 Set Screw Type - UCHB 200 Series (Cast Housing)	175
3.02 Set Screw Type - MUCECH 200 Series (Plastic Housing)	179

■ Set Screw Type - UCHB 200 Series

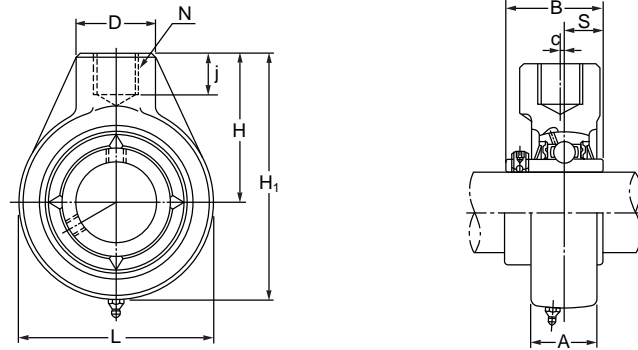


Shaft Dia.	Unit Number	Basic Dimensions								
		mm inch								
mm inch		L	H <sub>1</sub>	c	A	H	N	D	j	B
<b>12</b>	<b>UCHA201</b>	<b>64</b>	<b>96</b>	<b>0</b>	<b>21</b>	<b>64</b>	<b>Rp3/4</b>	<b>40</b>	<b>19</b>	<b>31</b>
1/2	UCHA201-008	2 17/32	3 25/32	0	13/16	2 33/64	Rp3/4	1 9/16	3/4	1.2205
<b>15</b>	<b>UCHA202</b>	<b>64</b>	<b>96</b>	<b>0</b>	<b>21</b>	<b>64</b>	<b>Rp3/4</b>	<b>40</b>	<b>19</b>	<b>31</b>
9/16	UCHA202-009	2 17/32	3 25/32	0	13/16	2 33/64	Rp3/4	1 9/16	3/4	1.2205
5/8	UCHA202-010	2 17/32	3 25/32	0	13/16	2 33/64	Rp3/4	1 9/16	3/4	1.2205
<b>17</b>	<b>UCHA203</b>	<b>64</b>	<b>96</b>	<b>0</b>	<b>21</b>	<b>64</b>	<b>Rp3/4</b>	<b>40</b>	<b>19</b>	<b>31</b>
11/16	UCHA203-011	2 17/32	3 25/32	0	13/16	2 33/64	Rp3/4	1 9/16	3/4	1.2205
<b>20</b>	<b>UCHA204</b>	<b>64</b>	<b>96</b>	<b>0</b>	<b>21</b>	<b>64</b>	<b>Rp3/4</b>	<b>40</b>	<b>19</b>	<b>31</b>
3/4	UCHA204-012	2 17/32	3 25/32	0	13/16	2 33/64	Rp3/4	1 9/16	3/4	1.2205
<b>25</b>	<b>UCHA205</b>	<b>70</b>	<b>103</b>	<b>0</b>	<b>24</b>	<b>64</b>	<b>Rp3/4</b>	<b>40</b>	<b>19</b>	<b>34.1</b>
13/16	UCHA205-013	2 11/16	3 15/16	0	1 1/2	2 33/64	Rp3/4	1 9/16	3/4	1.3425
7/8	UCHA205-014	3 1/16	4 1/16	0	15/16	2 33/64	Rp3/4	1 9/16	3/4	1.3425
15/16	UCHA205-015	3 1/16	4 1/16	0	15/16	2 33/64	Rp3/4	1 9/16	3/4	1.3425
1	UCHA205-100	3 1/16	4 1/16	0	15/16	2 33/64	Rp3/4	1 9/16	3/4	1.3425
<b>30</b>	<b>UCHA206</b>	<b>78</b>	<b>103</b>	<b>0</b>	<b>28</b>	<b>64</b>	<b>Rp3/4</b>	<b>40</b>	<b>19</b>	<b>38.1</b>
1 1/16	UCHA206-101	3 1/16	4 1/16	0	1 1/4	2 33/64	Rp3/4	1 9/16	3/4	1.5000
1 1/8	UCHA206-102	3 1/16	4 1/16	0	1 3/32	2 33/64	Rp3/4	1 9/16	3/4	1.5000
1 3/16	UCHA206-103	3 1/16	4 1/16	0	1 3/32	2 33/64	Rp3/4	1 9/16	3/4	1.5000
1 1/4	UCHA206-104	3 1/16	4 1/16	0	1 3/32	2 33/64	Rp3/4	1 9/16	3/4	1.5000
<b>35</b>	<b>UCHA207</b>	<b>92</b>	<b>116</b>	<b>0</b>	<b>30</b>	<b>70</b>	<b>Rp3/4</b>	<b>40</b>	<b>19</b>	<b>42.9</b>
1 1/4	UCHA207-104	3 5/8	4 9/16	0	1 1/4	2 3/4	Rp3/4	1 9/16	3/4	1.6890
1 5/16	UCHA207-105	3 5/8	4 9/16	0	1 3/16	2 3/4	Rp3/4	1 9/16	3/4	1.6890
1 3/8	UCHA207-106	3 5/8	4 9/16	0	1 3/16	2 3/4	Rp3/4	1 9/16	3/4	1.6890
1 7/16	UCHA207-107	3 5/8	4 9/16	0	1 3/16	2 3/4	Rp3/4	1 9/16	3/4	1.6890
<b>40</b>	<b>UCHA208</b>	<b>96</b>	<b>121</b>	<b>2</b>	<b>33</b>	<b>73</b>	<b>Rp3/4</b>	<b>40</b>	<b>19</b>	<b>49.2</b>
1 1/2	UCHA208-108	3 25/32	4 3/4	3/32	1 5/16	2 7/8	Rp3/4	1 9/16	3/4	1.9370
1 9/16	UCHA208-109	3 25/32	4 3/4	3/32	1 5/16	2 7/8	Rp3/4	1 9/16	3/4	1.9370
<b>45</b>	<b>UCHA209</b>	<b>108</b>	<b>136</b>	<b>4</b>	<b>35</b>	<b>82</b>	<b>Rp1</b>	<b>48</b>	<b>21</b>	<b>49.2</b>
1 5/8	UCHA209-110	4 1/4	5 11/32	3/16	1 3/8	3 15/64	Rp1	1 7/8	13/16	1.9370
1 11/16	UCHA209-111	4 1/4	5 11/32	3/16	1 3/8	3 15/64	Rp1	1 7/8	13/16	1.9370
1 3/4	UCHA209-112	4 1/4	5 11/32	3/16	1 3/8	3 15/64	Rp1	1 7/8	13/16	1.9370

	Bearing Number	Housing Number	Mass
S			kg/lbs
<b>12.7</b>	<b>UC201</b>	<b>HA204</b>	<b>0.7</b>
0.500	UC201-008	HA204	1.5
<b>12.7</b>	<b>UC202</b>	<b>HA204</b>	<b>0.7</b>
0.500	UC202-009	HA204	1.5
	UC202-010	HA204	1.5
<b>12.7</b>	<b>UC203</b>	<b>HA204</b>	<b>0.7</b>
0.500	UC203-011	HA204	1.5
<b>12.7</b>	<b>UC204</b>	<b>HA204</b>	<b>0.7</b>
0.500	UC204-012	HA204	1.5
<b>14.3</b>	<b>UC205</b>	<b>HA205</b>	<b>1.0</b>
	UC205-013	HA205	2.2
0.563	UC205-014	HA205	2.2
	UC205-015	HA205	2.2
	UC205-100	HA205	2.2
<b>15.9</b>	<b>UC206</b>	<b>HA206</b>	<b>1.0</b>
	UC206-101	HA206	2.2
0.626	UC206-102	HA206	2.2
	UC206-103	HA206	2.2
	UC206-104	HA206	2.2
<b>17.5</b>	<b>UC207</b>	<b>HA207</b>	<b>1.4</b>
	UC207-104	HA207	3.1
0.689	UC207-105	HA207	3.1
	UC207-106	HA207	3.1
	UC207-107	HA207	3.1
<b>19</b>	<b>UC208</b>	<b>HA208</b>	<b>1.5</b>
0.748	UC208-108	HA208	3.3
	UC208-109	HA208	3.3
<b>19</b>	<b>UC209</b>	<b>HA209</b>	<b>2.1</b>
	UC209-110	HA209	4.6
0.748	UC209-111	HA209	4.6
	UC209-112	HA209	4.6



■ Set Screw Type - UCHB 200 Series



Shaft Dia.	Unit Number	Basic Dimensions								
		mm inch								
mm inch		L	H <sub>1</sub>	c	A	H	N	D	j	B
<b>50</b>	<b>UCHA210</b>	<b>118</b>	<b>142</b>	<b>5</b>	<b>37</b>	<b>83</b>	<b>Rp1</b>	<b>48</b>	<b>21</b>	<b>51.6</b>
1 13/16	UCHA210-113									
1 7/8	UCHA210-114	4 21/32	5 19/32	3/16	1 15/32	3 17/64	Rp1	1 7/8	13/16	2.0315
1 15/16	UCHA210-115									
2	UCHA210-200									
<b>55</b>	<b>UCHA211</b>	<b>126</b>	<b>158</b>	<b>7</b>	<b>38</b>	<b>95</b>	<b>Rp1 1/4</b>	<b>60</b>	<b>25</b>	<b>55.6</b>
2	UCHA211-200									
2 1/16	UCHA211-201	4 31/32	6 7/32	9/32	1 1/2	3 47/64	Rp1 1/4	2 3/8	31/32	2.1890
2 1/8	UCHA211-202									
2 3/16	UCHA211-203									
<b>60</b>	<b>UCHA212</b>	<b>142</b>	<b>173</b>	<b>9</b>	<b>42</b>	<b>102</b>	<b>Rp1 1/4</b>	<b>60</b>	<b>28</b>	<b>65.1</b>
2 1/4	UCHA212-204									
2 5/16	UCHA212-205	5 19/32	6 13/16	11/32	1 21/32	4 1/64	Rp1 1/4	2 3/8	1 3/32	2.5630
2 3/8	UCHA212-206									
2 7/16	UCHA212-207									
<b>65</b>	<b>UCHA213</b>	<b>166</b>	<b>200</b>	<b>9.5</b>	<b>44</b>	<b>117</b>	<b>Rp1 1/2</b>	<b>70</b>	<b>32</b>	<b>65.1</b>
2 1/2	UCHA213-208	6 17/32	7 7/8	3/8	1 23/32	4 39/64	Rp1 1/2	2 3/4	1 1/4	2.5630

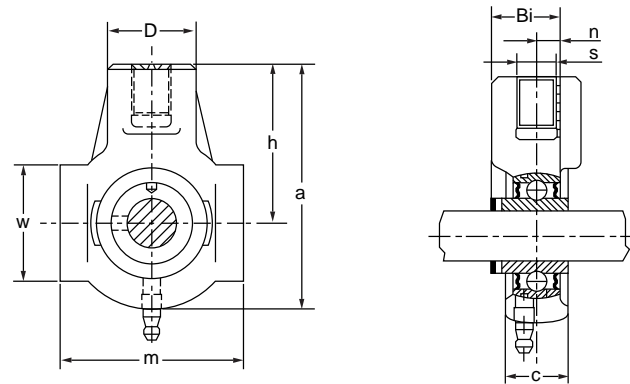
	Bearing Number	Housing Number	Mass
S			kg/lbs
<b>19</b>	<b>UC210</b>	<b>HA210</b>	<b>2.6</b>
	UC210-113	HA210	
0.748	UC210-114	HA210	5.7
	UC210-115	HA210	
	UC210-200	HA210	
<b>22.2</b>	<b>UC211</b>	<b>HA211</b>	<b>2.9</b>
	UC211-200	HA211	
0.874	UC211-201	HA211	6.4
	UC211-202	HA211	
	UC211-203	HA211	
<b>25.4</b>	<b>UC212</b>	<b>HA212</b>	<b>4.4</b>
	UC212-204	HA212	
1.000	UC212-205	HA212	9.7
	UC212-206	HA212	
	UC212-207	HA212	
<b>25.4</b>	<b>UC213</b>	<b>HA213</b>	<b>6.6</b>
1.000	UC213-208	HA213	15



## Hanger Unit Plastic Housing



■ Set Screw Type - MUCECH 200 Series



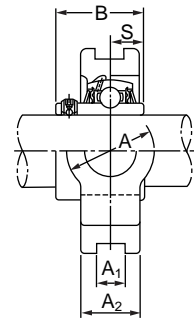
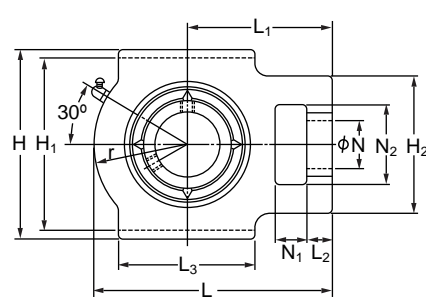
Shaft Dia d ø (mm)	Housing No.	Dimensions (mm)									Weight (kg)
		a	c	h	m	s	t ø	w	Bi	n	
12	ECH201	99.0	27.5	63.5	65.0	M16	35	47.0	31.0	12.7	0.16
15	ECH202	99.0	27.5	63.5	65.0	M16	35	47.0	31.0	12.7	0.16
17	ECH203	99.0	27.5	63.5	65.0	M16	35	47.0	31.0	12.7	0.16
20	ECH204	99.0	27.5	63.5	65.0	M16	35	47.0	31.0	12.7	0.16
25	ECH205	99.0	27.5	63.5	74.0	M16	35	47.0	34.0	14.3	0.16
30	ECH206	124.0	34.5	76.0	90.0	M16	40	63.0	38.1	15.9	0.21
35	ECH207	124.0	34.5	76.0	90.0	M16	40	63.0	42.9	17.5	0.25
40	ECH208	144.0	38.5	85.0	100.0	M16	46	80.0	49.2	19.0	0.36



## Take-Up Unit

	Page
4.01 Set Screw Type - UCT 200 Series	181
4.02 Set Screw Type - UCTX Series	187
4.03 Set Screw Type - UCT 300 Series	191
4.04 Taper Bored with Adapter Sleeve - UKT 200 Series	197
4.05 Taper Bored with Adapter Sleeve - UKTX Series	201
4.06 Taper Bored with Adapter Sleeve - UKT 300 Series	205
4.07 Eccentric Locking Collar Type - UELT 200 Series	209
4.08 Eccentric Locking Collar Type - UELT 300 Series	213
4.09 Set Screw Type with Frame - UCT 200 + WB Series	218

■ Set Screw Type - UCT 200 Series



Shaft Dia. mm inch	* Unit Number	Basic Dimensions									
		N <sub>1</sub>	L <sub>2</sub>	H <sub>2</sub>	N <sub>2</sub>	N	L <sub>3</sub>	A <sub>1</sub>	H <sub>1</sub>	H	L
<b>12</b> 1/2	<b>UCT201</b> UCT201-008	<b>16</b> 5/8	<b>12</b> 15/32	<b>51</b> 2	<b>32</b> 1 1/4	<b>19</b> 3/4	<b>51</b> 2	<b>12</b> 0.472	<b>76</b> 2 63/64	<b>89</b> 3 1/2	<b>94</b> 3 11/16
<b>15</b> 9/16 5/8	<b>UCT202</b> UCT202-009 UCT202-010	<b>16</b> 5/8	<b>12</b> 15/32	<b>51</b> 2	<b>32</b> 1 1/4	<b>19</b> 3/4	<b>51</b> 2	<b>12</b> 0.472	<b>76</b> 2 63/64	<b>89</b> 3 1/2	<b>94</b> 3 11/16
<b>17</b> 11/16	<b>UCT203</b> UCT203-011	<b>16</b> 5/8	<b>12</b> 15/32	<b>51</b> 2	<b>32</b> 1 1/4	<b>19</b> 3/4	<b>51</b> 2	<b>12</b> 0.472	<b>76</b> 2 63/64	<b>89</b> 3 1/2	<b>94</b> 3 11/16
<b>20</b> 3/4	<b>UCT204</b> UCT204-012	<b>16</b> 5/8	<b>12</b> 15/32	<b>51</b> 2	<b>32</b> 1 1/4	<b>19</b> 3/4	<b>51</b> 2	<b>12</b> 0.472	<b>76</b> 2 63/64	<b>89</b> 3 1/2	<b>94</b> 3 11/16
<b>25</b> 13/16 7/8 15/16 1	<b>UCT205</b> UCT205-013 UCT205-014 UCT205-015 UCT205-100	<b>16</b> 5/8	<b>12</b> 15/32	<b>51</b> 2	<b>32</b> 1 1/4	<b>19</b> 3/4	<b>51</b> 2	<b>12</b> 0.472	<b>76</b> 2 63/64	<b>89</b> 3 1/2	<b>94</b> 3 11/16
<b>30</b> 1 1/16 1 1/8 1 3/16 1 1/4	<b>UCT206</b> UCT206-101 UCT206-102 UCT206-103 UCT206-104	<b>16</b> 5/8	<b>12</b> 15/32	<b>56</b> 2 7/32	<b>37</b> 1 15/32	<b>22</b> 7/8	<b>57</b> 2 1/4	<b>12</b> 0.472	<b>89</b> 3 1/2	<b>102</b> 4 1/32	<b>113</b> 4 7/16
<b>35</b> 1 1/4 1 5/16 1 3/8 1 7/16	<b>UCT207</b> UCT207-104 UCT207-105 UCT207-106 UCT207-107	<b>16</b> 5/8	<b>15</b> 19/32	<b>64</b> 2 17/32	<b>37</b> 1 15/32	<b>22</b> 7/8	<b>64</b> 2 17/32	<b>12</b> 0.472	<b>89</b> 3 1/2	<b>102</b> 4 1/32	<b>129</b> 5 3/32
<b>40</b> 1 1/2 1 9/16	<b>UCT208</b> UCT208-108 UCT208-109	<b>19</b> 3/4	<b>18</b> 23/32	<b>83</b> 3 9/32	<b>49</b> 1 15/16	<b>29</b> 1 5/32	<b>83</b> 3 9/32	<b>16</b> 0.630	<b>102</b> 4 1/64	<b>114</b> 4 1/2	<b>144</b> 5 21/32

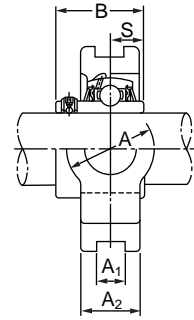
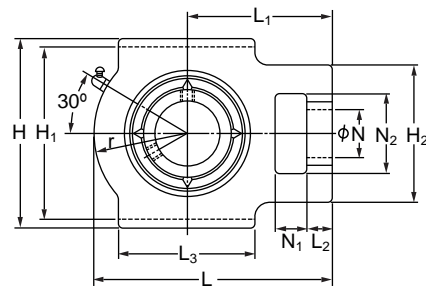
\* Denotation  
 UCT : Cast Housing with chrome steel bearing inserts.  
 MUCT : Stainless Steel Housing with stainless steel bearing inserts.  
 MUCTPL...SB : Plastic Housing with stainless steel bearing inserts.

A <sub>2</sub>	A	r	L <sub>1</sub>	B	S	Bearing Number	Housing Number	Mass (kg/lbs)		
								UCT	MUCT	MUCTPL...SB
<b>21</b> 13/16	<b>32</b> 1 1/4	<b>33</b> 1 5/16	<b>61</b> 2 13/32	<b>31</b> 1.2205	<b>12.7</b> 0.500	<b>UC201</b> UC201-008	<b>T204</b> T204	<b>0.8</b> 1.8	<b>0.7</b> 1.5	<b>0.2</b> 0.4
<b>21</b> 13/16	<b>32</b> 1 1/4	<b>33</b> 1 5/16	<b>61</b> 2 13/32	<b>31</b> 1.2205	<b>12.7</b> 0.500	<b>UC202</b> UC202-009 UC202-010	<b>T204</b> T204 T204	<b>0.8</b> 1.8	<b>0.7</b> 1.5	<b>0.2</b> 0.4
<b>21</b> 13/16	<b>32</b> 1 1/4	<b>33</b> 1 5/16	<b>61</b> 2 13/32	<b>31</b> 1.2205	<b>12.7</b> 0.500	<b>UC203</b> UC203-011	<b>T204</b> T204	<b>0.8</b> 1.8	<b>0.7</b> 1.5	<b>0.2</b> 0.4
<b>21</b> 13/16	<b>32</b> 1 1/4	<b>33</b> 1 5/16	<b>61</b> 2 13/32	<b>31</b> 1.2205	<b>12.7</b> 0.500	<b>UC204</b> UC204-012	<b>T204</b> T204	<b>0.8</b> 1.8	<b>0.8</b> 1.8	<b>0.2</b> 0.4
<b>24</b> 15/16	<b>32</b> 1 1/4	<b>35</b> 1 3/8	<b>62</b> 2 7/16	<b>34.1</b> 1.3425	<b>14.3</b> 0.563	<b>UC205</b> UC205-013 UC205-014 UC205-015 UC205-100	<b>T205</b> T205 T205 T205	<b>0.9</b> 2.0	<b>0.9</b> 2.0	<b>0.2</b> 0.4
<b>28</b> 1 3/32	<b>37</b> 1 15/32	<b>43</b> 1 11/16	<b>70</b> 2 3/4	<b>38.1</b> 1.5000	<b>15.9</b> 0.626	<b>UC206</b> UC206-101 UC206-102 UC206-103 UC206-104	<b>T206</b> T206 T206 T206	<b>1.3</b> 2.9	<b>1.3</b> 2.9	<b>0.2</b> 0.4
<b>30</b> 1 3/16	<b>37</b> 1 15/32	<b>51</b> 2	<b>78</b> 3 1/16	<b>42.9</b> 1.6890	<b>17.5</b> 0.689	<b>UC207</b> UC207-104 UC207-105 UC207-106 UC207-107	<b>T207</b> T207 T207 T207	<b>1.7</b> 3.7	<b>1.7</b> 3.7	<b>0.3</b> 0.7
<b>33</b> 1 5/16	<b>49</b> 1 15/16	<b>56</b> 2 7/32	<b>88</b> 3 15/32	<b>49.2</b> 1.9370	<b>19</b> 0.748	<b>UC208</b> UC208-108 UC208-109	<b>T208</b> T208 T208	<b>2.3</b> 5.1	<b>2.5</b> 6.0	<b>0.4</b> 0.9

# Take-Up Unit



## Set Screw Type - UCT 200 Series



Shaft Dia. mm inch	* Unit Number	Basic Dimensions									
		N <sub>1</sub>	L <sub>2</sub>	H <sub>2</sub>	N <sub>2</sub>	N	L <sub>3</sub>	A <sub>1</sub>	H <sub>1</sub>	H	L
<b>45</b> 1 5/8 1 11/16 1 3/4	<b>UCT209</b> UCT209-110 UCT209-111 UCT209-112	<b>19</b> 3/4	<b>18</b> 23/32	<b>83</b> 3 9/32	<b>49</b> 1 15/16	<b>29</b> 1 5/32	<b>83</b> 3 9/32	<b>16</b> 0.630	<b>102</b> 4 1/64	<b>117</b> 4 19/32	<b>145</b> 5 23/32
<b>50</b> 1 13/16 1 7/8 1 15/16 2	<b>UCT210</b> UCT210-113 UCT210-114 UCT210-115 UCT210-200	<b>19</b> 3/4	<b>18</b> 23/32	<b>83</b> 3 9/32	<b>49</b> 1 15/16	<b>29</b> 1 5/32	<b>86</b> 3 3/8	<b>16</b> 0.630	<b>102</b> 4 1/64	<b>117</b> 4 19/32	<b>151</b> 5 15/16
<b>55</b> 2 2 1/16 2 1/8 2 3/16	<b>UCT211</b> UCT211-200 UCT211-201 UCT211-202 UCT211-203	<b>25</b> 31/32	<b>21</b> 13/16	<b>102</b> 4 1/32	<b>64</b> 2 17/32	<b>35</b> 1 3/8	<b>95</b> 3 3/4	<b>22</b> 0.866	<b>130</b> 5 1/8	<b>146</b> 5 3/4	<b>171</b> 6 23/32
<b>60</b> 2 1/4 2 5/16 2 3/8 2 7/16	<b>UCT212</b> UCT212-204 UCT212-205 UCT212-206 UCT212-207	<b>32</b> 1 1/4	<b>21</b> 13/16	<b>102</b> 4 1/32	<b>64</b> 2 17/32	<b>35</b> 1 3/8	<b>102</b> 4 1/32	<b>22</b> 0.866	<b>130</b> 5 1/8	<b>146</b> 5 3/4	<b>194</b> 7 5/8
<b>65</b> 2 1/2 2 9/16	<b>UCT213</b> UCT213-208 UCT213-209	<b>32</b> 1 1/4	<b>23</b> 29/32	<b>111</b> 4 3/8	<b>70</b> 2 3/4	<b>41</b> 1 5/8	<b>121</b> 4 3/4	<b>26</b> 1.024	<b>151</b> 5 15/16	<b>167</b> 6 9/16	<b>224</b> 8 13/16
<b>70</b> 2 5/8 2 11/16 2 3/4	<b>UCT214</b> UCT214-210 UCT214-211 UCT214-212	<b>32</b> 1 1/4	<b>23</b> 29/32	<b>111</b> 4 3/8	<b>70</b> 2 3/4	<b>41</b> 1 5/8	<b>121</b> 4 3/4	<b>26</b> 1.024	<b>151</b> 5 15/16	<b>167</b> 6 9/16	<b>224</b> 8 13/16

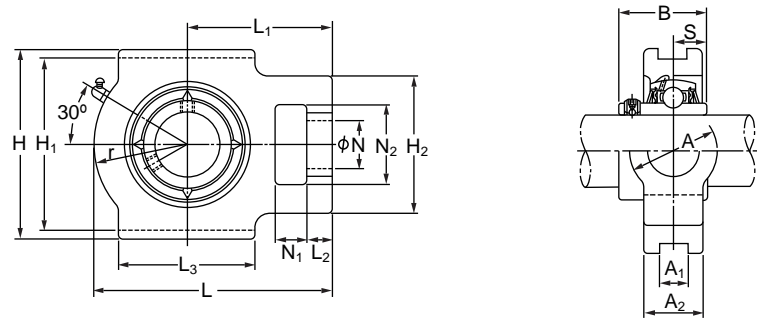


# Take-Up Unit

\* Denotation  
 UCT : Cast Housing with chrome steel bearing inserts.  
 MUCT : Stainless Steel Housing with stainless steel bearing inserts.  
 MUCTPL...SB : Plastic Housing with stainless steel bearing inserts.

A <sub>2</sub>	A	r	L <sub>1</sub>	B	S	Bearing Number	Housing Number	Mass (kg/lbs)		
								UCT	MUCT	MUCTPL...SB
<b>35</b> 1 3/8	<b>49</b> 1 15/16	<b>57</b> 2 1/4	<b>88</b> 3 15/32	<b>49.2</b> 1.9370	<b>19</b> 0.748	<b>UC209</b> UC209-110 UC209-111 UC209-112	<b>T209</b> T209 T209 T209	<b>2.4</b> 5.3	<b>2.6</b> 5.7	- -
<b>37</b> 1 15/32	<b>49</b> 1 15/16	<b>59</b> 2 5/16	<b>92</b> 3 5/8	<b>51.6</b> 2.0315	<b>19</b> 0.748	<b>UC210</b> UC210-113 UC210-114 UC210-115 UC210-200	<b>T210</b> T210 T210 T210 T210	<b>2.5</b> 5.5	<b>2.6</b> 5.7	- -
<b>38</b> 1 1/2	<b>64</b> 2 17/32	<b>65</b> 2 9/16	<b>106</b> 4 3/16	<b>55.6</b> 2.1890	<b>22.2</b> 0.874	<b>UC211</b> UC211-200 UC211-201 UC211-202 UC211-203	<b>T211</b> T211 T211 T211 T211	<b>3.8</b> 8.4	<b>4.3</b> 9.5	- -
<b>42</b> 1 21/32	<b>64</b> 2 17/32	<b>75</b> 2 15/16	<b>119</b> 4 11/16	<b>65.1</b> 2.5630	<b>25.4</b> 1.000	<b>UC212</b> UC212-204 UC212-205 UC212-206 UC212-207	<b>T212</b> T212 T212 T212 T212	<b>4.7</b> 10	<b>5.0</b> 11.0	- -
<b>44</b> 1 23/32	<b>70</b> 2 3/4	<b>87</b> 3 7/16	<b>137</b> 5 13/32	<b>65.1</b> 2.5630	<b>25.4</b> 1.000	<b>UC213</b> UC213-208 UC213-209	<b>T213</b> T213 T213	<b>7.0</b> 15	- -	- -
<b>46</b> 1 13/16	<b>70</b> 2 3/4	<b>87</b> 3 7/16	<b>137</b> 5 13/32	<b>74.6</b> 2.9370	<b>30.2</b> 1.189	<b>UC214</b> UC214-210 UC214-211 UC214-212	<b>T214</b> T214 T214 T214	<b>7.3</b> 16	- -	- -

■ Set Screw Type - UCT 200 Series

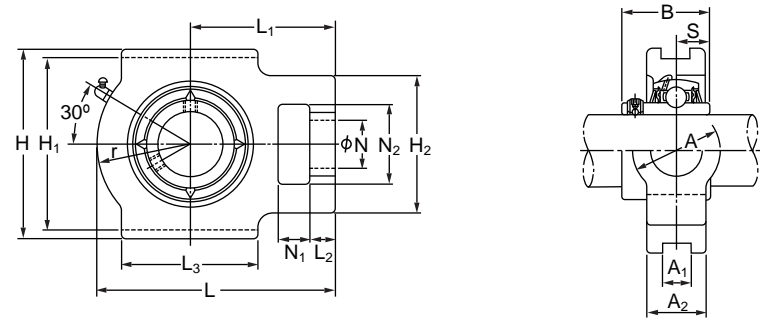


Shaft Dia. mm inch	* Unit Number	Basic Dimensions									
		N <sub>1</sub>	L <sub>2</sub>	H <sub>2</sub>	N <sub>2</sub>	N	L <sub>3</sub>	A <sub>1</sub>	H <sub>1</sub>	H	L
<b>75</b>	<b>UCT215</b>	<b>32</b>	<b>23</b>	<b>111</b>	<b>70</b>	<b>41</b>	<b>121</b>	<b>26</b>	<b>151</b>	<b>167</b>	<b>232</b>
2 13/16	UCT215-213										
2 7/8	UCT215-214	1 1/4	29/32	4 3/8	2 3/4	1 5/8	4 3/4	1.024	5 15/16	6 9/16	9 1/8
2 15/16	UCT215-215										
3	UCT215-300										
<b>80</b>	<b>UCT216</b>	<b>32</b>	<b>23</b>	<b>111</b>	<b>70</b>	<b>41</b>	<b>121</b>	<b>26</b>	<b>165</b>	<b>184</b>	<b>235</b>
3 1/16	UCT216-301										
3 1/8	UCT216-302	1 1/4	29/32	4 3/8	2 3/4	1 5/8	4 3/4	1.024	6 1/2	7 1/4	9 1/4
3 3/16	UCT216-303										
<b>85</b>	<b>UCT217</b>	<b>38</b>	<b>31</b>	<b>124</b>	<b>73</b>	<b>48</b>	<b>157</b>	<b>30</b>	<b>173</b>	<b>198</b>	<b>260</b>
3 1/4	UCT217-304										
3 5/16	UCT217-305	1 1/2	1 7/32	4 7/8	2 7/8	1 7/8	6 3/16	1.181	6 13/16	7 25/32	10 1/4
3 7/16	UCT217-307										

\* Denotation  
 UCT : Cast Housing with chrome steel bearing inserts.  
 MUCT : Stainless Steel Housing with stainless steel bearing inserts.  
 MUCTPL...SB : Plastic Housing with stainless steel bearing inserts.

A <sub>2</sub>	A	r	L <sub>1</sub>	B	S	Bearing Number	Housing Number	Mass (kg/lbs)		
								UCT	MUCT	MUCTPL...SB
<b>48</b>	<b>70</b>	<b>92</b>	<b>140</b>	<b>77.8</b>	<b>33.3</b>	<b>UC215</b>	<b>T215</b>	<b>7.7</b>	-	-
						UC215-213	T215			
1 7/8	2 3/4	3 5/8	5 1/2	3.0630	1.311	UC215-214	T215	17	-	-
						UC215-215	T215			
						UC215-300	T215			
<b>51</b>	<b>70</b>	<b>95</b>	<b>140</b>	<b>82.6</b>	<b>33.3</b>	<b>UC216</b>	<b>T216</b>	<b>8.4</b>	-	-
						UC216-301	T216			
2	2 3/4	3 3/4	5 1/2	3.2520	1.311	UC216-302	T216	19	-	-
						UC216-303	T216			
<b>54</b>	<b>73</b>	<b>98</b>	<b>162</b>	<b>85.7</b>	<b>34.1</b>	<b>UC217</b>	<b>T217</b>	<b>11</b>	-	-
						UC217-304	T217			
2 1/8	2 7/8	3 27/32	6 3/8	3.3740	1.343	UC217-305	T217	24	-	-
						UC217-307	T217			

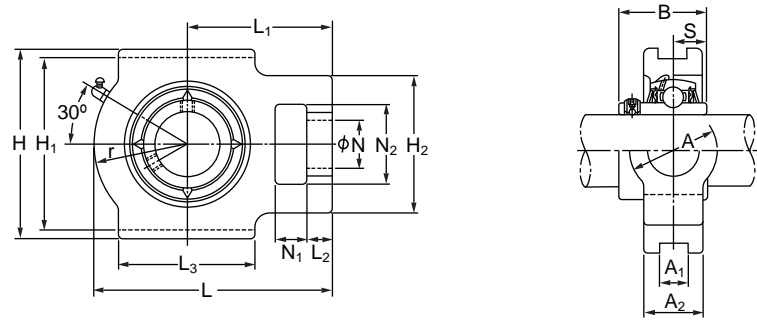
■ Set Screw Type - UCTX Series



Shaft Dia. mm inch	Unit Number	Basic Dimensions								
		N <sub>1</sub>	L <sub>2</sub>	H <sub>2</sub>	N <sub>2</sub>	N	L <sub>3</sub>	A <sub>1</sub>	H <sub>1</sub>	H
<b>25</b>	<b>UCTX05</b>	<b>16</b>	<b>12</b>	<b>56</b>	<b>37</b>	<b>22</b>	<b>57</b>	<b>12</b>	<b>89</b>	<b>102</b>
13/16	UCTX05-013									
7/8	UCTX05-014	5/8	15/32	2 7/32	1 15/32	7/8	2 1/4	0.472	3 1/2	4 1/32
15/16	UCTX05-015									
1	UCTX05-100									
<b>30</b>	<b>UCTX06</b>	<b>16</b>	<b>15</b>	<b>64</b>	<b>37</b>	<b>22</b>	<b>64</b>	<b>12</b>	<b>89</b>	<b>102</b>
1 1/16	UCTX06-101									
1 1/8	UCTX06-102	5/8	19/32	2 17/32	1 15/32	7/8	2 17/32	0.472	3 1/2	4 1/32
1 3/16	UCTX06-103									
1 1/4	UCTX06-104									
<b>35</b>	<b>UCTX07</b>	<b>19</b>	<b>17</b>	<b>83</b>	<b>49</b>	<b>29</b>	<b>83</b>	<b>16</b>	<b>102</b>	<b>114</b>
1 5/16	UCTX07-105									
1 3/8	UCTX07-106	3/4	21/32	3 9/32	1 15/16	1 5/32	3 9/32	0.630	4 1/64	4 1/2
1 7/16	UCTX07-107									
<b>40</b>	<b>UCTX08</b>	<b>19</b>	<b>17</b>	<b>83</b>	<b>49</b>	<b>29</b>	<b>83</b>	<b>16</b>	<b>102</b>	<b>117</b>
1 1/2	UCTX08-108									
1 9/16	UCTX08-109	3/4	21/32	3 9/32	1 15/16	1 5/32	3 9/32	0.630	4 1/64	4 19/32
<b>45</b>	<b>UCTX09</b>	<b>19</b>	<b>18</b>	<b>83</b>	<b>49</b>	<b>29</b>	<b>86</b>	<b>16</b>	<b>102</b>	<b>117</b>
1 5/8	UCTX09-110									
1 11/16	UCTX09-111	3/4	23/32	3 9/32	1 15/16	1 5/32	3 3/8	0.630	4 1/64	4 19/32
1 3/4	UCTX09-112									
1 13/16	UCTX09-113									
<b>50</b>	<b>UCTX10</b>	<b>25</b>	<b>21</b>	<b>102</b>	<b>64</b>	<b>35</b>	<b>95</b>	<b>22</b>	<b>130</b>	<b>146</b>
1 7/8	UCTX10-114									
1 15/16	UCTX10-115	31/32	13/16	4 1/32	2 17/32	1 3/8	3 3/4	0.866	5 1/8	5 3/4
2	UCTX10-200									
<b>55</b>	<b>UCTX11</b>	<b>32</b>	<b>21</b>	<b>102</b>	<b>64</b>	<b>35</b>	<b>102</b>	<b>22</b>	<b>130</b>	<b>146</b>
2 1/16	UCTX11-201									
2 1/8	UCTX11-202	1 1/4	13/16	4 1/32	2 17/32	1 3/8	4 1/32	0.866	5 1/8	5 3/4
2 3/16	UCTX11-203									
2 1/4	UCTX11-204									
2 5/16	UCTX11-205									

L	A <sub>2</sub>	A	r	L <sub>1</sub>	B	S	Bearing Number	Housing Number	Mass
									kg/lbs
<b>113</b>	<b>28</b>	<b>37</b>	<b>43</b>	<b>70</b>	<b>38.1</b>	<b>15.9</b>	<b>UCX05</b>	<b>TX05</b>	<b>1.4</b>
							UCX05-013	TX05	
4 7/16	1 3/32	1 15/32	1 11/16	2 3/4	1.5000	0.626	UCX05-014	TX05	3.1
							UCX05-015	TX05	
							UCX05-100	TX05	
<b>129</b>	<b>30</b>	<b>37</b>	<b>51</b>	<b>78</b>	<b>42.9</b>	<b>17.5</b>	<b>UCX06</b>	<b>TX06</b>	<b>1.8</b>
							UCX06-101	TX06	
5 3/32	1 3/16	1 15/32	2	3 1/16	1.6890	0.689	UCX06-102	TX06	4.0
							UCX06-103	TX06	
							UCX06-104	TX06	
<b>144</b>	<b>36</b>	<b>49</b>	<b>56</b>	<b>88</b>	<b>49.2</b>	<b>19</b>	<b>UCX07</b>	<b>TX07</b>	<b>2.6</b>
							UCX07-105	TX07	
5 21/32	1 13/32	1 15/16	2 7/32	3 15/32	1.9370	0.748	UCX07-106	TX07	5.7
							UCX07-107	TX07	
<b>144</b>	<b>36</b>	<b>49</b>	<b>57</b>	<b>87</b>	<b>49.2</b>	<b>19</b>	<b>UCX08</b>	<b>TX08</b>	<b>2.6</b>
							UCX08-108	TX08	
5 21/32	1 13/32	1 15/16	2 1/4	3 7/16	1.9370	0.748	UCX08-109	TX08	5.7
<b>151</b>	<b>38</b>	<b>49</b>	<b>59</b>	<b>92</b>	<b>51.6</b>	<b>19</b>	<b>UCX09</b>	<b>TX09</b>	<b>2.8</b>
							UCX09-110	TX09	
5 15/16	1 1/2	1 15/16	2 5/16	3 5/8	2.0315	0.748	UCX09-111	TX09	6.2
							UCX09-112	TX09	
							UCX09-113	TX09	
<b>171</b>	<b>42</b>	<b>64</b>	<b>65</b>	<b>106</b>	<b>55.6</b>	<b>22.2</b>	<b>UCX10</b>	<b>TX10</b>	<b>4.3</b>
							UCX10-114	TX10	
6 23/32	1 21/32	2 17/32	2 9/16	4 3/16	2.1890	0.874	UCX10-115	TX10	9.5
							UCX10-200	TX10	
<b>194</b>	<b>44</b>	<b>64</b>	<b>75</b>	<b>119</b>	<b>65.1</b>	<b>25.4</b>	<b>UCX11</b>	<b>TX11</b>	<b>5.2</b>
							UCX11-201	TX11	
7 5/8	1 23/32	2 17/32	2 15/16	4 11/16	2.5630	1.000	UCX11-202	TX11	11
							UCX11-203	TX11	
							UCX11-204	TX11	
							UCX11-205	TX11	

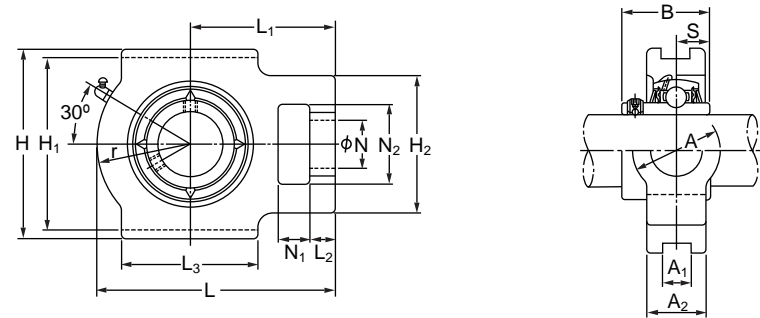
■ Set Screw Type - UCTX Series



Shaft Dia. mm inch	Unit Number	Basic Dimensions								
		N <sub>1</sub>	L <sub>2</sub>	H <sub>2</sub>	N <sub>2</sub>	N	L <sub>3</sub>	A <sub>1</sub>	H <sub>1</sub>	H
<b>60</b> 2 3/8 2 7/16	<b>UCTX12</b> UCTX12-206 UCTX12-207	<b>32</b> 1 1/4	<b>23</b> 29/32	<b>111</b> 4 3/8	<b>70</b> 2 3/4	<b>41</b> 1 5/8	<b>121</b> 4 3/4	<b>26</b> 1.024	<b>151</b> 5 15/16	<b>167</b> 6 9/16
<b>65</b> 2 1/2 2 9/16	<b>UCTX13</b> UCTX13-208 UCTX13-209	<b>32</b> 1 1/4	<b>23</b> 29/32	<b>111</b> 4 3/8	<b>70</b> 2 3/4	<b>41</b> 1 5/8	<b>121</b> 4 3/4	<b>26</b> 1.024	<b>151</b> 5 15/16	<b>167</b> 6 9/16
<b>70</b> 2 5/8 2 11/16 2 3/4	<b>UCTX14</b> UCTX14-210 UCTX14-211 UCTX14-212	<b>32</b> 1 1/4	<b>23</b> 29/32	<b>111</b> 4 3/8	<b>70</b> 2 3/4	<b>41</b> 1 5/8	<b>121</b> 4 3/4	<b>26</b> 1.024	<b>151</b> 5 15/16	<b>167</b> 6 9/16
<b>75</b> 2 13/16 2 7/8 2 15/16 3	<b>UCTX15</b> UCTX15-213 UCTX15-214 UCTX15-215 UCTX15-300	<b>32</b> 1 1/4	<b>23</b> 29/32	<b>111</b> 4 3/8	<b>70</b> 2 3/4	<b>41</b> 1 5/8	<b>121</b> 4 3/4	<b>26</b> 1.024	<b>165</b> 6 1/2	<b>184</b> 7 1/4
<b>80</b> 3 1/16 3 1/8 3 3/16 3 1/4	<b>UCTX16</b> UCTX16-301 UCTX16-302 UCTX16-303 UCTX16-304	<b>38</b> 1 1/2	<b>30</b> 1 3/16	<b>124</b> 4 7/8	<b>73</b> 2 7/8	<b>48</b> 1 7/8	<b>157</b> 6 3/16	<b>28</b> 1.102	<b>173</b> 6 13/16	<b>198</b> 7 25/32
<b>85</b> 3 5/16 3 7/16	<b>UCTX17</b> UCTX17-305 UCTX17-307	<b>38</b> 1 1/2	<b>30</b> 1 3/16	<b>124</b> 4 7/8	<b>73</b> 2 7/8	<b>48</b> 1 7/8	<b>157</b> 6 3/16	<b>28</b> 1.102	<b>173</b> 6 13/16	<b>198</b> 7 25/32

L	A <sub>2</sub>	A	r	L <sub>1</sub>	B	S	Bearing Number	Housing Number	Mass
									kg/lbs
<b>224</b> 8 13/16	<b>48</b> 1 7/8	<b>70</b> 2 3/4	<b>87</b> 3 7/16	<b>137</b> 5 13/32	<b>65.1</b> 2.5630	<b>25.4</b> 1.000	<b>UCX12</b> UCX12-206 UCX12-207	<b>TX12</b> TX12 TX12	<b>7.6</b> 17
<b>224</b> 8 13/16	<b>48</b> 1 7/8	<b>70</b> 2 3/4	<b>87</b> 3 7/16	<b>137</b> 5 13/32	<b>65.1</b> 2.5630	<b>25.4</b> 1.000	<b>UCX13</b> UCX13-208 UCX13-209	<b>TX13</b> TX13 TX13	<b>7.6</b> 17
<b>232</b> 9 1/8	<b>48</b> 1 7/8	<b>70</b> 2 3/4	<b>92</b> 3 5/8	<b>140</b> 5 1/2	<b>77.8</b> 3.0630	<b>33.3</b> 1.311	<b>UCX14</b> UCX14-210 UCX14-211 UCX14-212	<b>TX14</b> TX14 TX14 TX14	<b>7.7</b> 17
<b>235</b> 9 1/4	<b>48</b> 1 7/8	<b>70</b> 2 3/4	<b>95</b> 3 3/4	<b>140</b> 5 1/2	<b>82.6</b> 3.2520	<b>33.3</b> 1.311	<b>UCX15</b> UCX15-213 UCX15-214 UCX15-215 UCX15-300	<b>TX15</b> TX15 TX15 TX15 TX15	<b>8.4</b> 19
<b>260</b> 10 1/4	<b>54</b> 2 1/8	<b>73</b> 2 7/8	<b>98</b> 3 27/32	<b>162</b> 6 3/8	<b>85.7</b> 3.3740	<b>34.1</b> 1.343	<b>UCX16</b> UCX16-301 UCX16-302 UCX16-303 UCX16-304	<b>TX16</b> TX16 TX16 TX16 TX16	<b>11</b> 24
<b>260</b> 10 1/4	<b>54</b> 2 1/8	<b>73</b> 2 7/8	<b>98</b> 3 27/32	<b>162</b> 6 3/8	<b>85.7</b> 3.3740	<b>34.1</b> 1.343	<b>UCX17</b> UCX17-305 UCX17-307	<b>TX17</b> TX17 TX17	<b>12</b> 26

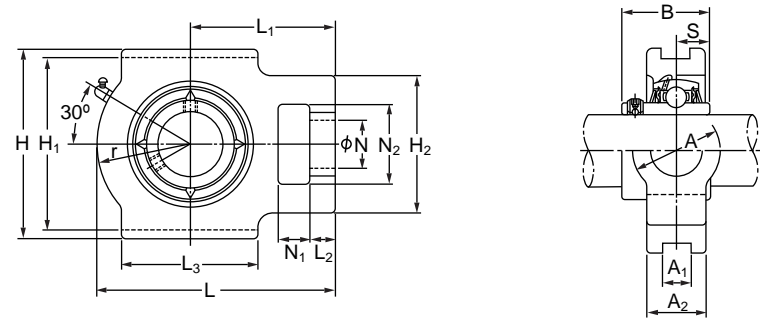
■ Set Screw Type - UCTX Series



Shaft Dia. mm inch	Unit Number	Basic Dimensions								
		N <sub>1</sub>	L <sub>2</sub>	H <sub>2</sub>	N <sub>2</sub>	N	L <sub>3</sub>	A <sub>1</sub>	H <sub>1</sub>	H
<b>25</b>	<b>UCT305</b>	<b>16</b>	<b>14</b>	<b>62</b>	<b>36</b>	<b>26</b>	<b>65</b>	<b>12</b>	<b>80</b>	<b>89</b>
13/16	UCT305-013									
7/8	UCT305-014									
15/16	UCT305-015	5/8	9/16	2 7/16	1 13/32	1 1/32	2 9/16	0.472	3 5/32	3 1/2
1	UCT305-100									
<b>30</b>	<b>UCT306</b>	<b>18</b>	<b>16</b>	<b>70</b>	<b>41</b>	<b>28</b>	<b>74</b>	<b>16</b>	<b>90</b>	<b>100</b>
1 1/16	UCT306-101									
1 1/8	UCT306-102	23/32	5/8	2 3/4	1 5/8	1 3/32	2 29/32	0.630	3 35/64	3 15/16
1 3/16	UCT306-103									
<b>35</b>	<b>UCT307</b>	<b>20</b>	<b>17</b>	<b>75</b>	<b>45</b>	<b>30</b>	<b>80</b>	<b>16</b>	<b>100</b>	<b>111</b>
1 1/4	UCT307-104									
1 5/16	UCT307-105									
1 3/8	UCT307-106	25/32	21/32	2 15/16	1 25/32	1 3/16	3 5/32	0.630	3 15/16	4 3/8
1 7/16	UCT307-107									
<b>40</b>	<b>UCT308</b>	<b>22</b>	<b>19</b>	<b>83</b>	<b>50</b>	<b>32</b>	<b>89</b>	<b>18</b>	<b>112</b>	<b>124</b>
1 1/2	UCT308-108									
1 9/16	UCT308-109	7/8	3/4	3 9/32	1 31/32	1 1/4	3 1/2	0.709	4 13/32	4 7/8
<b>45</b>	<b>UCT309</b>	<b>24</b>	<b>20</b>	<b>90</b>	<b>55</b>	<b>34</b>	<b>97</b>	<b>18</b>	<b>125</b>	<b>138</b>
1 5/8	UCT309-110									
1 11/16	UCT309-111	15/16	25/32	3 17/32	2 5/32	1 11/32	3 13/16	0.709	4 59/64	5 7/16
13/4	UCT309-112									
<b>50</b>	<b>UCT310</b>	<b>27</b>	<b>22</b>	<b>98</b>	<b>61</b>	<b>37</b>	<b>106</b>	<b>20</b>	<b>140</b>	<b>151</b>
1 13/16	UCT310-113									
1 7/8	UCT310-114	1 1/16	7/8	3 27/32	2 13/32	1 15/32	4 3/16	0.787	5 33/34	5 15/16
1 15/16	UCT310-200									
<b>55</b>	<b>UCT311</b>	<b>29</b>	<b>23</b>	<b>105</b>	<b>66</b>	<b>39</b>	<b>115</b>	<b>22</b>	<b>150</b>	<b>163</b>
2	UCT311-200									
2 1/16	UCT311-201									
2 1/8	UCT311-202	1 5/32	29/32	4 1/8	2 19/32	1 17/32	4 17/32	0.866	5 29/32	6 13/32
2 3/16	UCT311-203									

L	A <sub>2</sub>	A	r	L <sub>1</sub>	B	S	Bearing Number	Housing Number	Mass
									UCT kg/lbs
<b>122</b>	<b>26</b>	<b>36</b>	<b>46</b>	<b>76</b>	<b>38</b>	<b>15</b>	<b>UC305</b>	<b>T305</b>	<b>1.4</b>
							UC305-013	T305	
							UC305-014	T305	
4 13/16	1 1/32	1 13/32	1 13/16	3	1.4961	0.591	UC305-015	T305	3.1
							UC305-100	T305	
<b>137</b>	<b>28</b>	<b>41</b>	<b>52</b>	<b>85</b>	<b>43</b>	<b>17</b>	<b>UC306</b>	<b>T306</b>	<b>1.8</b>
							UC306-101	T306	
5 13/32	1 3/32	1 5/8	2 1/16	3 11/32	1.6929	0.669	UC306-102	T306	4.0
							UC306-103	T306	
<b>150</b>	<b>32</b>	<b>45</b>	<b>56</b>	<b>94</b>	<b>48</b>	<b>19</b>	<b>UC307</b>	<b>T307</b>	<b>2.4</b>
							UC307-104	T307	
							UC307-105	T307	
5 29/32	1 1/4	1 25/32	2 7/32	3 11/16	1.8898	0.748	UC307-106	T307	5.3
							UC307-107	T307	
<b>162</b>	<b>34</b>	<b>50</b>	<b>62</b>	<b>100</b>	<b>52</b>	<b>19</b>	<b>UC308</b>	<b>T308</b>	<b>3.0</b>
							UC308-108	T308	
6 3/8	1 11/32	1 31/32	2 7/16	3 15/16	2.0472	0.748	UC308-109	T308	6.6
<b>178</b>	<b>38</b>	<b>55</b>	<b>68</b>	<b>110</b>	<b>57</b>	<b>22</b>	<b>UC309</b>	<b>T309</b>	<b>4.0</b>
							UC309-110	T309	
7	1 1/2	2 5/32	2 11/16	4 11/32	2.2441	0.866	UC309-111	T309	8.8
							UC309-112	T309	
<b>192</b>	<b>40</b>	<b>61</b>	<b>74</b>	<b>118</b>	<b>61</b>	<b>22</b>	<b>UC310</b>	<b>T310</b>	<b>5.0</b>
							UC310-113	T310	
7 9/16	1 9/16	2 13/32	2 29/32	4 21/32	2.4016	0.866	UC310-114	T310	11
							UC310-200	T310	
<b>207</b>	<b>44</b>	<b>66</b>	<b>80</b>	<b>127</b>	<b>66</b>	<b>25</b>	<b>UC311</b>	<b>T311</b>	<b>6.4</b>
							UC311-200	T311	
							UC311-201	T311	
8 5/32	1 23/32	2 19/32	3 5/32	5	2.5984	0.984	UC311-202	T311	14
							UC311-203	T311	

■ Set Screw Type - UCTX Series

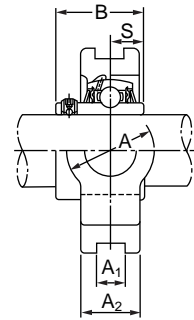
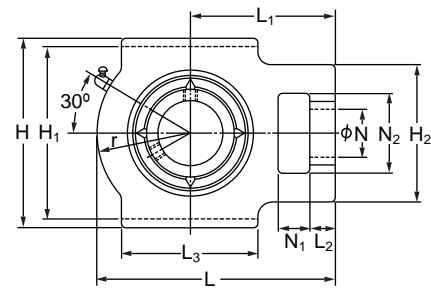


Shaft Dia. mm inch	Unit Number	Basic Dimensions								
		N <sub>1</sub>	L <sub>2</sub>	H <sub>2</sub>	N <sub>2</sub>	N	L <sub>3</sub>	A <sub>1</sub>	H <sub>1</sub>	H
<b>60</b> 2 1/4 2 5/16 2 3/8 2 7/16	<b>UCT312</b> UCT312-204 UCT312-205 UCT312-206 UCT312-207	<b>31</b> 1 7/32	<b>25</b> 31/32	<b>113</b> 4 7/16	<b>71</b> 2 25/32	<b>41</b> 1 5/8	<b>123</b> 4 27/32	<b>22</b> 0.866	<b>160</b> 6 19/64	<b>178</b> 7
<b>65</b> 2 1/2 2 9/16	<b>UCT313</b> UCT313-208 UCT313-209	<b>32</b> 1 1/4	<b>27</b> 1 1/16	<b>116</b> 4 9/16	<b>70</b> 2 3/4	<b>43</b> 1 11/16	<b>134</b> 5 9/32	<b>26</b> 1.024	<b>170</b> 6 11/16	<b>190</b> 7 15/32
<b>70</b> 2 5/8 2 11/16 2 3/4	<b>UCT314</b> UCT314-210 UCT314-211 UCT314-212	<b>36</b> 1 13/32	<b>27</b> 1 1/16	<b>130</b> 5 1/8	<b>85</b> 3 11/32	<b>46</b> 1 13/16	<b>140</b> 5 1/2	<b>26</b> 1.024	<b>180</b> 7 3/32	<b>202</b> 7 15/16
<b>75</b> 2 13/16 2 7/8 2 15/16 3	<b>UCT315</b> UCT315-213 UCT315-214 UCT315-215 UCT315-300	<b>36</b> 1 13/32	<b>27</b> 1 1/16	<b>132</b> 5 3/16	<b>85</b> 3 11/32	<b>46</b> 1 13/16	<b>150</b> 5 29/32	<b>26</b> 1.024	<b>192</b> 7 9/16	<b>216</b> 8 1/2
<b>80</b> 3 1/16 3 1/8 3 3/16	<b>UCT316</b> UCT316-301 UCT316-302 UCT316-303	<b>42</b> 1 21/32	<b>30</b> 1 3/16	<b>150</b> 5 29/32	<b>98</b> 3 27/32	<b>53</b> 2 3/32	<b>160</b> 6 5/16	<b>30</b> 1.181	<b>204</b> 8 1/32	<b>230</b> 9 1/16
<b>85</b> 3 1/4 3 5/16 3 7/16	<b>UCT317</b> UCT317-304 UCT317-305 UCT317-307	<b>42</b> 1 21/32	<b>32</b> 1 1/4	<b>152</b> 5 31/32	<b>98</b> 3 27/32	<b>53</b> 2 3/32	<b>170</b> 6 11/16	<b>32</b> 1.260	<b>214</b> 8 27/64	<b>240</b> 9 7/16
<b>90</b> 3 7/16 3 1/2	<b>UCT318</b> UCT318-307 UCT318-308	<b>46</b> 1 13/16	<b>32</b> 1 1/4	<b>160</b> 6 5/16	<b>106</b> 4 3/16	<b>57</b> 2 1/4	<b>175</b> 6 7/8	<b>32</b> 1.260	<b>228</b> 8 31/32	<b>255</b> 10 1/32
<b>95</b> 3 5/8 3 11/16 3 3/4	<b>UCT319</b> UCT319-310 UCT319-311 UCT319-312	<b>46</b> 1 13/16	<b>33</b> 1 5/16	<b>165</b> 6 1/2	<b>106</b> 4 3/16	<b>57</b> 2 1/4	<b>180</b> 7 3/32	<b>35</b> 1.378	<b>240</b> 9 29/64	<b>270</b> 10 5/8

L	A <sub>2</sub>	A	r	L <sub>1</sub>	B	S	Bearing Number	Housing Number	Mass
									UCT kg/lbs
<b>220</b> 8 21/32	<b>46</b> 1 13/16	<b>71</b> 2 25/32	<b>85</b> 3 11/32	<b>135</b> 5 5/16	<b>71</b> 2.7953	<b>26</b> 1.024	<b>UC312</b> UC312-204 UC312-205 UC312-206 UC312-207	<b>T312</b> T312 T312 T312 T312	<b>7.6</b> 17
<b>238</b> 9 3/8	<b>50</b> 1 31/32	<b>80</b> 3 5/32	<b>92</b> 3 5/8	<b>146</b> 5 3/4	<b>75</b> 2.9528	<b>30</b> 1.181	<b>UC313</b> UC313-208 UC313-209	<b>T313</b> T313 T313	<b>9.7</b> 21
<b>252</b> 9 29/32	<b>52</b> 2 1/16	<b>90</b> 3 17/32	<b>97</b> 3 13/16	<b>155</b> 6 3/32	<b>78</b> 3.0709	<b>33</b> 1.299	<b>UC314</b> UC314-210 UC314-211 UC314-212	<b>T314</b> T314 T314 T314	<b>11</b> 24
<b>262</b> 10 5/16	<b>55</b> 2 5/32	<b>90</b> 3 17/32	<b>102</b> 4 1/32	<b>160</b> 6 5/16	<b>82</b> 3.2283	<b>32</b> 1.260	<b>UC315</b> UC315-213 UC315-214 UC315-215 UC315-300	<b>T315</b> T315 T315 T315 T315	<b>14</b> 31
<b>282</b> 11 3/32	<b>60</b> 2 3/8	<b>102</b> 4 1/32	<b>108</b> 4 1/4	<b>174</b> 6 27/32	<b>86</b> 3.3858	<b>34</b> 1.339	<b>UC316</b> UC316-301 UC316-302 UC316-303	<b>T316</b> T316 T316 T316	<b>16</b> 35
<b>298</b> 11 23/32	<b>64</b> 2 17/32	<b>102</b> 4 1/32	<b>115</b> 4 17/32	<b>183</b> 7 7/32	<b>96</b> 3.7795	<b>40</b> 1.575	<b>UC317</b> UC317-304 UC317-305 UC317-307	<b>T317</b> T317 T317 T317	<b>20</b> 44
<b>312</b> 12 9/32	<b>66</b> 2 19/32	<b>110</b> 4 11/32	<b>120</b> 4 23/32	<b>192</b> 7 9/16	<b>96</b> 3.7795	<b>40</b> 1.575	<b>UC318</b> UC318-307 UC318-308	<b>T318</b> T318 T318	<b>22</b> 49
<b>322</b> 12 11/16	<b>72</b> 2 27/32	<b>110</b> 4 11/32	<b>125</b> 4 29/32	<b>197</b> 7 3/4	<b>103</b> 4.0551	<b>41</b> 1.614	<b>UC319</b> UC319-310 UC319-311 UC319-312	<b>T319</b> T319 T319 T319	<b>25</b> 55



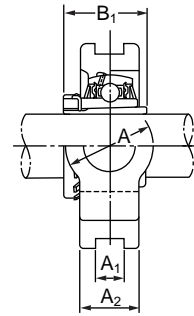
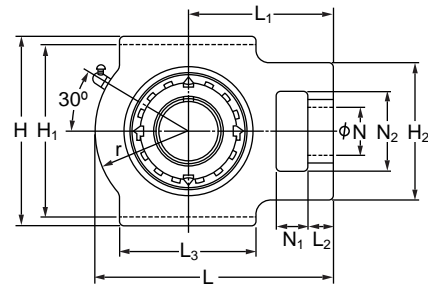
■ Set Screw Type - UCTX Series



Shaft Dia.	Unit Number	Basic Dimensions								
		mm inch								
mm inch		N <sub>1</sub>	L <sub>2</sub>	H <sub>2</sub>	N <sub>2</sub>	N	L <sub>3</sub>	A <sub>1</sub>	H <sub>1</sub>	H
<b>100</b>	<b>UCT320</b>	<b>48</b>	<b>34</b>	<b>175</b>	<b>115</b>	<b>59</b>	<b>200</b>	<b>35</b>	<b>260</b>	<b>290</b>
3 13/16	UCT320-313									
3 7/8	UCT320-314									
3 15/16	UCT320-315	1 7/8	1 11/32	6 7/8	4 17/32	2 5/16	7 7/8	1.378	10 15/64	11 13/32
4	UCT320-400									
<b>105</b>	<b>UCT321</b>	<b>48</b>	<b>34</b>	<b>175</b>	<b>115</b>	<b>59</b>	<b>200</b>	<b>35</b>	<b>260</b>	<b>290</b>
<b>110</b>	<b>UCT322</b>	<b>52</b>	<b>40</b>	<b>185</b>	<b>125</b>	<b>65</b>	<b>215</b>	<b>38</b>	<b>285</b>	<b>320</b>
<b>120</b>	<b>UCT324</b>	<b>60</b>	<b>44</b>	<b>210</b>	<b>140</b>	<b>70</b>	<b>230</b>	<b>45</b>	<b>320</b>	<b>355</b>
<b>130</b>	<b>UCT326</b>	<b>65</b>	<b>47</b>	<b>220</b>	<b>150</b>	<b>75</b>	<b>240</b>	<b>50</b>	<b>350</b>	<b>385</b>
<b>140</b>	<b>UCT328</b>	<b>70</b>	<b>52</b>	<b>230</b>	<b>160</b>	<b>80</b>	<b>255</b>	<b>50</b>	<b>380</b>	<b>415</b>

L	A <sub>2</sub>	A	r	L <sub>1</sub>	B	S	Bearing Number	Housing Number	Mass
									UCT kg/lbs
<b>345</b>	<b>75</b>	<b>120</b>	<b>135</b>	<b>210</b>	<b>108</b>	<b>42</b>	<b>UC320</b>	<b>T320</b>	<b>32</b>
							UC320-313	T320	
							UC320-314	T320	
							UC320-315	T320	71
							UC320-400	T320	
<b>347</b>	<b>75</b>	<b>120</b>	<b>135</b>	<b>212</b>	<b>112</b>	<b>44</b>	<b>UC321</b>	<b>T321</b>	<b>32</b>
<b>385</b>	<b>80</b>	<b>130</b>	<b>150</b>	<b>235</b>	<b>117</b>	<b>46</b>	<b>UC322</b>	<b>T322</b>	<b>40</b>
<b>432</b>	<b>90</b>	<b>140</b>	<b>165</b>	<b>267</b>	<b>126</b>	<b>51</b>	<b>UC324</b>	<b>T324</b>	<b>55</b>
<b>465</b>	<b>100</b>	<b>150</b>	<b>180</b>	<b>285</b>	<b>135</b>	<b>54</b>	<b>UC326</b>	<b>T326</b>	<b>69</b>
<b>515</b>	<b>100</b>	<b>155</b>	<b>200</b>	<b>315</b>	<b>145</b>	<b>59</b>	<b>UC328</b>	<b>T328</b>	<b>84</b>

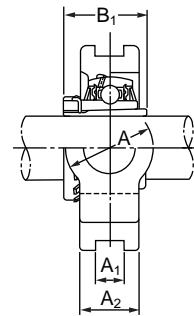
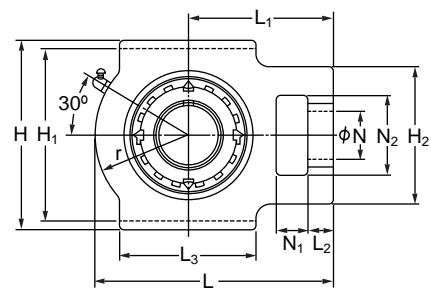
■ Taper Bored with Adapter Sleeve - UKT 200 Series



Shaft Dia. mm inch	Unit Number	Basic Dimensions								
		N <sub>1</sub>	L <sub>2</sub>	H <sub>2</sub>	N <sub>2</sub>	N	L <sub>3</sub>	A <sub>1</sub>	H <sub>1</sub>	H
<b>20</b> 3/4	<b>UKT205 ; H2305</b> UKT205 ; HE2305	<b>16</b> 5/8	<b>12</b> 15/32	<b>51</b> 2	<b>32</b> 1 1/4	<b>19</b> 3/4	<b>51</b> 2	<b>12</b> 0.472	<b>76</b> 2 63/64	<b>89</b> 3 1/2
<b>25</b> 7/8 15/16	<b>UKT206 ; H2306</b> UKT206 ; HS2306 UKT206 ; HE2306	<b>16</b> 5/8	<b>12</b> 15/32	<b>56</b> 2 7/32	<b>37</b> 1 15/32	<b>22</b> 7/8	<b>57</b> 2 1/4	<b>12</b> 0.472	<b>89</b> 3 1/2	<b>102</b> 4 1/32
<b>30</b> 1 1/8	<b>UKT207 ; H2307</b> UKT207 ; HS2307	<b>16</b> 5/8	<b>15</b> 19/32	<b>64</b> 2 17/32	<b>37</b> 1 15/32	<b>22</b> 7/8	<b>64</b> 2 17/32	<b>12</b> 0.472	<b>89</b> 3 1/2	<b>102</b> 4 1/32
<b>35</b> 1 1/4 1 3/8	<b>UKT208 ; H2308</b> UKT208 ; HE2308 UKT208 ; HS2308	<b>19</b> 3/4	<b>18</b> 23/32	<b>83</b> 3 9/32	<b>49</b> 1 15/16	<b>29</b> 1 5/32	<b>83</b> 3 9/32	<b>16</b> 0.630	<b>102</b> 4 1/64	<b>114</b> 4 1/2
<b>40</b> 1 7/16 1 1/2 1 9/16	<b>UKT209 ; H2309</b> UKT209 ; HA2309 UKT209 ; HE2309 UKT209 ; HS2309	<b>19</b> 3/4	<b>18</b> 23/32	<b>83</b> 3 9/32	<b>49</b> 1 15/16	<b>29</b> 1 5/32	<b>83</b> 3 9/32	<b>16</b> 0.630	<b>102</b> 4 1/64	<b>117</b> 4 19/32
<b>45</b> 1 5/8 1 11/16 1 3/4	<b>UKT210 ; H2310</b> UKT210 ; HS2310 UKT210 ; HA2310 UKT210 ; HE2310	<b>19</b> 3/4	<b>18</b> 23/32	<b>83</b> 3 9/32	<b>49</b> 1 15/16	<b>29</b> 1 5/32	<b>86</b> 3 3/8	<b>16</b> 0.630	<b>102</b> 4 1/64	<b>117</b> 4 19/32
<b>50</b> 1 7/8 1 15/16 2	<b>UKT211 ; H2311</b> UKT211 ; HS2311 UKT211 ; HA2311 UKT211 ; HE2311	<b>25</b> 31/32	<b>21</b> 13/16	<b>102</b> 4 1/32	<b>64</b> 2 17/32	<b>35</b> 1 3/8	<b>95</b> 3 3/4	<b>22</b> 0.866	<b>130</b> 5 1/8	<b>146</b> 5 3/4
<b>55</b> 2 1/8	<b>UKT212 ; H2312</b> UKT212 ; HS2312	<b>32</b> 1 1/4	<b>21</b> 13/16	<b>102</b> 4 1/32	<b>64</b> 2 17/32	<b>35</b> 1 3/8	<b>102</b> 4 1/32	<b>22</b> 0.866	<b>130</b> 5 1/8	<b>146</b> 5 3/4
<b>60</b> 2 3/16 2 1/4 2 3/8	<b>UKT213 ; H2313</b> UKT213 ; HA2313 UKT213 ; HE2313 UKT213 ; HS2313	<b>32</b> 1 1/4	<b>23</b> 29/32	<b>111</b> 4 3/8	<b>70</b> 2 3/4	<b>41</b> 1 5/8	<b>121</b> 4 3/4	<b>26</b> 1.024	<b>151</b> 5 15/16	<b>167</b> 6 9/16
<b>65</b> 2 7/16 2 1/2	<b>UKT215 ; H2315</b> UKT215 ; HA2315 UKT215 ; HE2315	<b>32</b> 1 1/4	<b>23</b> 29/32	<b>111</b> 4 3/8	<b>70</b> 2 3/4	<b>41</b> 1 5/8	<b>121</b> 4 3/4	<b>26</b> 1.024	<b>151</b> 5 15/16	<b>167</b> 6 9/16

L	A <sub>2</sub>	A	r	L <sub>1</sub>	B <sub>1</sub>	Bearing Number	Housing Number	Mass
								UKT kg/lbs
<b>97</b> 3 13/16	<b>24</b> 15/16	<b>32</b> 1 1/4	<b>35</b> 1 3/8	<b>62</b> 2 7/16	<b>35</b> 1.378	<b>UK205 ; H2305</b> UK205 ; HE2305	<b>T205</b> T205	<b>0.9</b> 2.0
<b>113</b> 4 7/16	<b>28</b> 1 3/32	<b>37</b> 1 15/32	<b>43</b> 1 11/16	<b>70</b> 2 3/4	<b>38</b> 1.496	<b>UK206 ; H2306</b> UK206 ; HS2306 UK206 ; HE2306	<b>T206</b> T206 T206	<b>1.4</b> 3.1
<b>129</b> 5 3/32	<b>30</b> 1 3/16	<b>37</b> 1 15/32	<b>51</b> 2	<b>78</b> 3 1/16	<b>43</b> 1.693	<b>UK207 ; H2307</b> UK207 ; HS2307	<b>T207</b> T207	<b>1.8</b> 4.0
<b>144</b> 5 21/32	<b>33</b> 1 5/16	<b>49</b> 1 15/16	<b>56</b> 2 7/32	<b>88</b> 3 15/32	<b>46</b> 1.811	<b>UK208 ; H2308</b> UK208 ; HE2308 UK208 ; HS2308	<b>T208</b> T208 T208	<b>2.3</b> 5.1
<b>145</b> 5 23/32	<b>35</b> 1 3/8	<b>49</b> 1 15/16	<b>57</b> 2 1/4	<b>88</b> 3 15/32	<b>50</b> 1.969	<b>UK209 ; H2309</b> UK209 ; HA2309 UK209 ; HE2309 UK209 ; HS2309	<b>T209</b> T209 T209 T208	<b>2.5</b> 5.5
<b>151</b> 5 15/16	<b>37</b> 1 15/32	<b>49</b> 1 15/16	<b>59</b> 2 5/16	<b>92</b> 3 5/8	<b>55</b> 2.165	<b>UK210 ; H2310</b> UK210 ; HS2310 UK210 ; HA2310 UK210 ; HE2310	<b>T210</b> T210 T210 T210	<b>2.6</b> 5.7
<b>171</b> 6 23/32	<b>38</b> 1 1/2	<b>64</b> 2 17/32	<b>65</b> 2 9/16	<b>106</b> 4 3/16	<b>59</b> 2.323	<b>UK211 ; H2311</b> UK211 ; HS2311 UK211 ; HA2311 UK211 ; HE2311	<b>T211</b> T211 T211 T211	<b>4.0</b> 8.8
<b>194</b> 7 5/8	<b>42</b> 1 21/32	<b>64</b> 2 17/32	<b>75</b> 2 15/16	<b>119</b> 4 11/16	<b>62</b> 2.441	<b>UK212 ; H2312</b> UK212 ; HS2312	<b>T212</b> T212	<b>4.8</b> 11
<b>224</b> 8 13/16	<b>44</b> 1 23/32	<b>70</b> 2 3/4	<b>87</b> 3 7/16	<b>137</b> 5 13/32	<b>65</b> 2.559	<b>UK213 ; H2313</b> UK213 ; HA2313 UK213 ; HE2313 UK213 ; HS2313	<b>T213</b> T213 T213 T212	<b>7.1</b> 16
<b>232</b> 9 1/8	<b>48</b> 1 7/8	<b>70</b> 2 3/4	<b>92</b> 3 5/8	<b>140</b> 5 1/2	<b>73</b> 2.874	<b>UK215 ; H2315</b> UK215 ; HA2315 UK215 ; HE2315	<b>T215</b> T215 T215	<b>7.9</b> 17

■ Taper Bored with Adapter Sleeve - UKT 200 Series



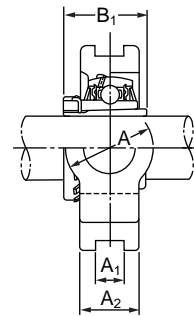
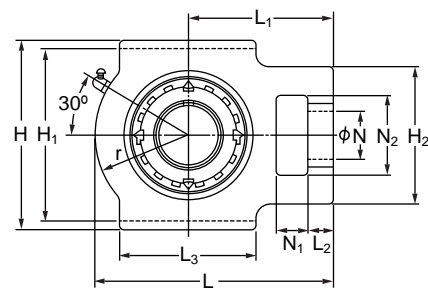
Shaft Dia.	Unit Number	Basic Dimensions								
		N <sub>1</sub>	L <sub>2</sub>	H <sub>2</sub>	N <sub>2</sub>	N	L <sub>3</sub>	A <sub>1</sub>	H <sub>1</sub>	H
mm inch		mm    inch								
<b>70</b>	<b>UKT216 ; H2316</b>	<b>32</b>	<b>23</b>	<b>111</b>	<b>70</b>	<b>41</b>	<b>121</b>	<b>26</b>	<b>165</b>	<b>184</b>
2 11/16 2 3/4	UKT216 ; HA2316 UKT216 ; HE2316	1 1/4	29/32	4 3/8	2 3/4	1 5/8	4 3/4	1.024	6 1/2	7 1/4
<b>75</b>	<b>UKT217 ; H2317</b>	<b>38</b>	<b>31</b>	<b>124</b>	<b>73</b>	<b>48</b>	<b>157</b>	<b>30</b>	<b>173</b>	<b>198</b>
2 15/16 3	UKT217 ; HA2317 UKT217 ; HE2317	1 1/2	1 7/32	4 7/8	2 7/8	1 7/8	6 3/16	1.181	6 13/16	7 25/32

L	A <sub>2</sub>	A	r	L <sub>1</sub>	B <sub>1</sub>	Bearing Number	Housing Number	Mass
								UKT kg/lbs
<b>235</b>	<b>51</b>	<b>70</b>	<b>95</b>	<b>140</b>	<b>78</b>	<b>UK216 ; H2316</b>	<b>T216</b>	<b>8.8</b>
9 1/4	2	2 3/4	3 3/4	5 1/2	3.071	UK216 ; HA2316 UK216 ; HE2316	T216 T216	19
<b>260</b>	<b>54</b>	<b>73</b>	<b>98</b>	<b>162</b>	<b>82</b>	<b>UK217 ; H2317</b>	<b>T217</b>	<b>11</b>
10 1/4	2 1/8	2 7/8	3 27/32	6 3/8	3.228	UK217 ; HA2317 UK217 ; HE2317	T217 T217	24

4.04

4.04

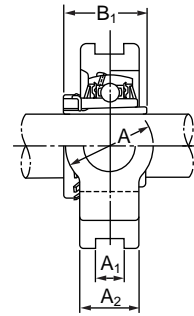
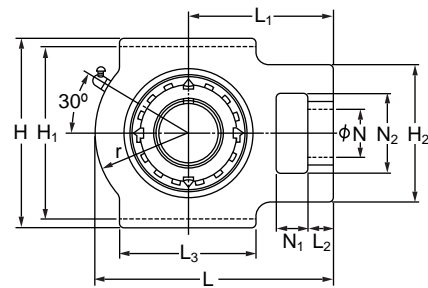
■ Taper Bored with Adapter Sleeve - UKTX Series



Shaft Dia. mm inch	Unit Number	Basic Dimensions								
		N <sub>1</sub>	L <sub>2</sub>	H <sub>2</sub>	N <sub>2</sub>	N	L <sub>3</sub>	A <sub>1</sub>	H <sub>1</sub>	H
<b>20</b> 3/4	<b>UKTX05 ; H2305</b> UKTX05 ; HE2305	<b>16</b> 5/8	<b>12</b> 15/32	<b>56</b> 2 7/32	<b>37</b> 1 15/32	<b>22</b> 7/8	<b>57</b> 2 1/4	<b>12</b> 0.472	<b>89</b> 3 1/2	<b>102</b> 4 1/32
<b>25</b> 7/8 1	<b>UKTX06 ; H2306</b> UKTX06 ; HS2306 UKTX06 ; HE2306	<b>16</b> 5/8	<b>15</b> 19/32	<b>64</b> 2 17/32	<b>37</b> 1 15/32	<b>22</b> 7/8	<b>64</b> 2 17/32	<b>12</b> 0.472	<b>89</b> 3 1/2	<b>102</b> 4 1/32
<b>30</b> 1 1/8	<b>UKTX07 ; H2307</b> UKTX07 ; HS2307	<b>19</b> 3/4	<b>17</b> 21/32	<b>83</b> 3 9/32	<b>49</b> 1 15/16	<b>29</b> 1 5/32	<b>83</b> 3 9/32	<b>16</b> 0.630	<b>102</b> 4 1/64	<b>114</b> 4 1/2
<b>35</b> 1 1/4 1 3/8	<b>UKTX08 ; H2308</b> UKTX08 ; HE2308 UKTX08 ; HS2308	<b>19</b> 3/4	<b>17</b> 21/32	<b>83</b> 3 9/32	<b>49</b> 1 15/16	<b>29</b> 1 5/32	<b>83</b> 3 9/32	<b>16</b> 0.630	<b>102</b> 4 1/64	<b>117</b> 4 19/32
<b>40</b> 1 7/16 1 1/2 1 9/16	<b>UKTX09 ; H2309</b> UKTX09 ; HA2309 UKTX09 ; HE2309 UKTX09 ; HS2309	<b>19</b> 3/4	<b>18</b> 23/32	<b>83</b> 3 9/32	<b>49</b> 1 15/16	<b>29</b> 1 5/32	<b>86</b> 3 3/8	<b>16</b> 0.630	<b>102</b> 4 1/64	<b>117</b> 4 19/32
<b>45</b> 1 5/8 1 11/16 1 3/4	<b>UKTX10 ; H2310</b> UKTX10 ; HS2310 UKTX10 ; HA2310 UKTX10 ; HE2310	<b>25</b> 31/32	<b>21</b> 13/16	<b>102</b> 4 1/32	<b>64</b> 2 17/32	<b>35</b> 1 3/8	<b>95</b> 3 3/4	<b>22</b> 0.866	<b>130</b> 5 1/8	<b>146</b> 5 3/4
<b>50</b> 1 7/8 1 15/16 2	<b>UKTX11 ; H2311</b> UKTX11 ; HS2311 UKTX11 ; HA2311 UKTX11 ; HE2311	<b>32</b> 1 1/4	<b>21</b> 13/16	<b>102</b> 4 1/32	<b>64</b> 2 17/32	<b>35</b> 1 3/8	<b>102</b> 4 1/32	<b>22</b> 0.866	<b>130</b> 5 1/8	<b>146</b> 5 3/4
<b>55</b> 2 1/8	<b>UKTX12 ; H2312</b> UKTX12 ; HS2312	<b>32</b> 1 1/4	<b>23</b> 29/32	<b>111</b> 4 3/8	<b>70</b> 2 3/4	<b>41</b> 1 5/8	<b>121</b> 4 3/4	<b>26</b> 1.024	<b>151</b> 5 15/16	<b>167</b> 6 9/16
<b>60</b> 2 3/16 2 1/4 2 3/8	<b>UKTX13 ; H2313</b> UKTX13 ; HA2313 UKTX13 ; HE2313 UKTX13 ; HS2313	<b>32</b> 1 1/4	<b>23</b> 29/32	<b>111</b> 4 3/8	<b>70</b> 2 3/4	<b>41</b> 1 5/8	<b>121</b> 4 3/4	<b>26</b> 1.024	<b>151</b> 5 15/16	<b>167</b> 6 9/16

L	A <sub>2</sub>	A	r	L <sub>1</sub>	B <sub>1</sub>	Bearing Number	Housing Number	Mass
								kg/lbs
<b>113</b> 4 7/16	<b>28</b> 1 3/32	<b>37</b> 1 15/32	<b>43</b> 1 11/16	<b>70</b> 2 3/4	<b>35</b> 1.378	<b>UKX05 ; H2305</b> UKX05 ; HE2305	<b>TX05</b> TX05	<b>1.4</b> 3.1
<b>129</b> 5 3/32	<b>30</b> 1 3/16	<b>37</b> 1 15/32	<b>51</b> 2	<b>78</b> 3 1/16	<b>38</b> 1.496	<b>UKX06 ; H2306</b> UKX06 ; HS2306 UKX06 ; HE2306	<b>TX06</b> TX06 TX06	<b>1.4</b> 3.7
<b>144</b> 5 21/32	<b>36</b> 1 13/32	<b>49</b> 1 15/16	<b>56</b> 2 7/32	<b>88</b> 3 15/32	<b>43</b> 1.693	<b>UKX07 ; H2307</b> UKX07 ; HS2307	<b>TX07</b> TX07	<b>2.5</b> 5.5
<b>144</b> 5 21/32	<b>36</b> 1 13/32	<b>49</b> 1 15/16	<b>57</b> 2 1/4	<b>87</b> 3 7/16	<b>46</b> 1.811	<b>UKX08 ; H2308</b> UKX08 ; HE2308 UKX08 ; HS2308	<b>TX08</b> TX08 TX08	<b>2.6</b> 5.7
<b>151</b> 5 15/16	<b>38</b> 1 1/2	<b>49</b> 1 15/16	<b>59</b> 2 5/16	<b>92</b> 3 5/8	<b>50</b> 1.969	<b>UKX09 ; H2309</b> UKX09 ; HA2309 UKX09 ; HE2309 UKX09 ; HS2309	<b>TX09</b> TX09 TX09 TX08	<b>2.8</b> 6.2
<b>171</b> 6 23/32	<b>42</b> 1 21/32	<b>64</b> 2 17/32	<b>65</b> 2 9/16	<b>106</b> 4 3/16	<b>55</b> 2.165	<b>UKX10 ; H2310</b> UKX10 ; HS2310 UKX10 ; HA2310 UKX10 ; HE2310	<b>TX10</b> TX10 TX10 TX10	<b>4.2</b> 9.3
<b>194</b> 7 5/8	<b>44</b> 1 23/32	<b>64</b> 2 17/32	<b>75</b> 2 15/16	<b>119</b> 4 11/16	<b>59</b> 2.323	<b>UKX11 ; H2311</b> UKX11 ; HS2311 UKX11 ; HA2311 UKX11 ; HE2311	<b>TX11</b> TX11 TX11 TX11	<b>5.0</b> 11
<b>224</b> 8 13/16	<b>48</b> 1 7/8	<b>70</b> 2 3/4	<b>87</b> 3 7/16	<b>137</b> 5 13/32	<b>62</b> 2.441	<b>UKX12 ; H2312</b> UKX12 ; HS2312	<b>TX12</b> TX12	<b>7.4</b> 16
<b>224</b> 8 13/16	<b>48</b> 1 7/8	<b>70</b> 2 3/4	<b>87</b> 3 7/16	<b>137</b> 5 13/32	<b>65</b> 2.559	<b>UKX13 ; H2313</b> UKX13 ; HA2313 UKX13 ; HE2313 UKX13 ; HS2313	<b>TX13</b> TX13 TX13 TX12	<b>7.3</b> 16

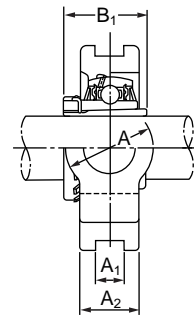
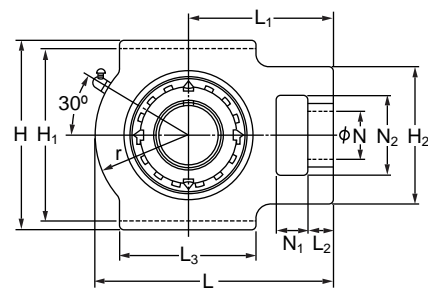
■ Taper Bored with Adapter Sleeve - UKTX Series



Shaft Dia.	Unit Number	Basic Dimensions								
		mm inch								
mm inch		N <sub>1</sub>	L <sub>2</sub>	H <sub>2</sub>	N <sub>2</sub>	N	L <sub>3</sub>	A <sub>1</sub>	H <sub>1</sub>	H
<b>65</b>	<b>UKTX15 ; H2315</b>	<b>32</b>	<b>23</b>	<b>111</b>	<b>70</b>	<b>41</b>	<b>121</b>	<b>28</b>	<b>165</b>	<b>184</b>
2 7/16	UKTX15 ; HA2315	1 1/4	29/32	4 3/8	2 3/4	1 5/8	4 3/4	1.102	6 1/2	7 1/4
2 1/2	UKTX15 ; HE2315									
<b>70</b>	<b>UKTX16 ; H2316</b>	<b>38</b>	<b>30</b>	<b>124</b>	<b>73</b>	<b>48</b>	<b>157</b>	<b>28</b>	<b>173</b>	<b>198</b>
2 11/16	UKTX16 ; HA2316	1 1/2	1 3/16	4 7/8	2 7/8	1 7/8	6 3/16	1.102	6 13/16	7 25/32
2 3/4	UKTX16 ; HE2316									
<b>75</b>	<b>UKTX17 ; H2317</b>	<b>38</b>	<b>30</b>	<b>124</b>	<b>73</b>	<b>48</b>	<b>157</b>	<b>28</b>	<b>173</b>	<b>198</b>
2 15/16	UKTX17 ; HA2317	1 1/2	1 3/16	4 7/8	2 7/8	1 7/8	6 3/16	1.102	6 13/16	7 25/32
3	UKTX17 ; HE2317									

						Bearing Number	Housing Number	Mass
						kg/lbs		
L	A <sub>2</sub>	A	r	L <sub>1</sub>	B <sub>1</sub>			
<b>235</b>	<b>48</b>	<b>70</b>	<b>95</b>	<b>140</b>	<b>73</b>	<b>UKX15 ; H2315</b>	<b>TX15</b>	<b>8.5</b>
9 1/4	1 7/8	2 3/4	3 3/4	5 1/2	2.874	UKX15 ; HA2315	TX15	19
						UKX15 ; HE2315	TX15	
<b>260</b>	<b>54</b>	<b>73</b>	<b>98</b>	<b>162</b>	<b>78</b>	<b>UKX16 ; H2316</b>	<b>TX16</b>	<b>11</b>
10 1/4	2 1/8	2 7/8	3 27/32	6 3/8	3.071	UKX16 ; HA2316	TX16	24
						UKX16 ; HE2316	TX16	
<b>260</b>	<b>54</b>	<b>73</b>	<b>98</b>	<b>162</b>	<b>82</b>	<b>UKX17 ; H2317</b>	<b>TX17</b>	<b>12</b>
10 1/4	2 1/8	2 7/8	3 27/32	6 3/8	3.228	UK217 ; HA2317	T217	24
						UK217 ; HE2317	T217	

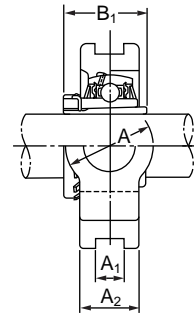
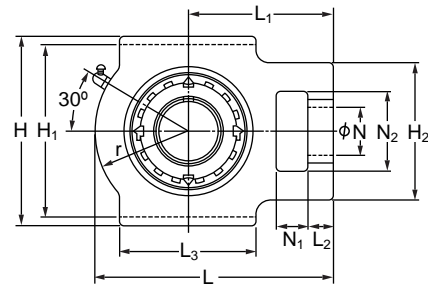
■ Taper Bored with Adapter Sleeve - UKT 300 Series



Shaft Dia. mm inch	Unit Number	Basic Dimensions								
		N <sub>1</sub>	L <sub>2</sub>	H <sub>2</sub>	N <sub>2</sub>	N	L <sub>3</sub>	A <sub>1</sub>	H <sub>1</sub>	H
<b>20</b> 3/4	<b>UKT305 ; H2305</b> UKT305 ; HE2305	<b>16</b> 5/8	<b>14</b> 9/16	<b>62</b> 2 7/16	<b>36</b> 1 13/32	<b>26</b> 1 1/32	<b>65</b> 2 9/16	<b>12</b> 0.472	<b>80</b> 3 5/32	<b>89</b> 3 1/2
<b>25</b> 7/8 1	<b>UKT306 ; H2306</b> UKT306 ; HS2306 UKT306 ; HE2306	<b>18</b> 23/32	<b>16</b> 5/8	<b>70</b> 2 3/4	<b>41</b> 1 5/8	<b>28</b> 1 3/32	<b>74</b> 2 29/32	<b>16</b> 0.630	<b>90</b> 3 35/64	<b>100</b> 3 15/16
<b>30</b> 1 1/8	<b>UKT307 ; H2307</b> UKT307 ; HS2307	<b>20</b> 25/32	<b>17</b> 21/32	<b>75</b> 2 15/16	<b>45</b> 1 25/32	<b>30</b> 1 3/16	<b>80</b> 3 5/32	<b>16</b> 0.630	<b>100</b> 3 15/16	<b>111</b> 4 3/8
<b>35</b> 1 1/4 1 3/8	<b>UKT308 ; H2308</b> UKT308 ; HE2308 UKT308 ; HS2308	<b>22</b> 7/8	<b>19</b> 3/4	<b>83</b> 3 9/32	<b>50</b> 1 31/32	<b>32</b> 1 1/4	<b>89</b> 3 1/2	<b>18</b> 0.709	<b>112</b> 4 13/32	<b>124</b> 4 7/8
<b>40</b> 1 7/16 1 1/2 1 5/8	<b>UKT309 ; H2309</b> UKT309 ; HA2309 UKT309 ; HE2309 UKT309 ; HS2309	<b>24</b> 15/16	<b>20</b> 25/32	<b>90</b> 3 17/32	<b>55</b> 2 5/32	<b>34</b> 1 11/32	<b>97</b> 3 13/16	<b>18</b> 0.709	<b>125</b> 4 59/64	<b>138</b> 5 7/16
<b>45</b> 1 5/8 1 11/16 1 3/4	<b>UKT310 ; H2310</b> UKT310 ; HS2310 UKT310 ; HA2310 UKT310 ; HE2310	<b>27</b> 1 1/16	<b>22</b> 7/8	<b>98</b> 3 27/32	<b>61</b> 2 13/32	<b>37</b> 1 15/32	<b>106</b> 4 3/16	<b>20</b> 0.787	<b>140</b> 5 33/64	<b>151</b> 5 15/16
<b>50</b> 1 7/8 1 15/16 2	<b>UKT311 ; H2311</b> UKT311 ; HS2311 UKT311 ; HA2311 UKT311 ; HE2311	<b>29</b> 1 5/32	<b>23</b> 29/32	<b>105</b> 4 1/8	<b>66</b> 2 19/32	<b>39</b> 1 17/32	<b>115</b> 4 17/32	<b>22</b> 0.866	<b>150</b> 5 29/32	<b>163</b> 6 13/32
<b>55</b> 2 1/8	<b>UKT312 ; H2312</b> UKT312 ; HS2312	<b>31</b> 1 7/32	<b>25</b> 31/32	<b>113</b> 4 7/16	<b>71</b> 2 25/32	<b>41</b> 1 5/8	<b>123</b> 4 27/32	<b>22</b> 0.866	<b>160</b> 6 19/64	<b>178</b> 7
<b>60</b> 2 3/16 2 1/4 2 3/8	<b>UKT313 ; H2313</b> UKT313 ; HA2313 UKT313 ; HE2313 UKT313 ; HS2313	<b>32</b> 1 1/4	<b>27</b> 1 1/16	<b>116</b> 4 9/16	<b>70</b> 2 3/4	<b>43</b> 1 11/16	<b>134</b> 5 9/32	<b>26</b> 1.024	<b>170</b> 6 11/16	<b>190</b> 7 15/32
<b>65</b> 2 7/16 2 1/2	<b>UKT315 ; H2315</b> UKT315 ; HA2315 UKT315 ; HE2315	<b>36</b> 1 13/32	<b>27</b> 1 1/16	<b>132</b> 5 3/16	<b>85</b> 3 11/32	<b>46</b> 1 13/16	<b>150</b> 5 29/32	<b>26</b> 1.024	<b>192</b> 7 9/16	<b>216</b> 8 1/2

L	A <sub>2</sub>	A	r	L <sub>1</sub>	B <sub>1</sub>	Bearing Number	Housing Number	Mass
						UKT kg/lbs		
<b>122</b> 4 13/16	<b>26</b> 1 1/32	<b>36</b> 1 13/32	<b>46</b> 1 13/16	<b>76</b> 3	<b>35</b> 1.378	<b>UK305 ; H2305</b> UK305 ; HE2305	<b>T305</b> T305	<b>1.4</b> 3.1
<b>137</b> 5 13/32	<b>28</b> 1 3/32	<b>41</b> 1 5/8	<b>52</b> 2 1/16	<b>85</b> 3 11/32	<b>38</b> 1.496	<b>UK306 ; H2306</b> UK306 ; HS2306 UK306 ; HE2306	<b>T306</b> T306 T306	<b>1.8</b> 4.0
<b>150</b> 5 29/32	<b>32</b> 1 1/4	<b>45</b> 1 25/32	<b>56</b> 2 7/32	<b>94</b> 3 11/16	<b>43</b> 1.693	<b>UK307 ; H2307</b> UK307 ; HS2307	<b>T307</b> T307	<b>2.4</b> 5.3
<b>162</b> 6 3/8	<b>34</b> 1 11/32	<b>50</b> 1 31/32	<b>62</b> 2 7/16	<b>100</b> 3 15/16	<b>46</b> 1.811	<b>UK308 ; H2308</b> UK308 ; HE2308 UK308 ; HS2308	<b>T308</b> T308 T308	<b>3.0</b> 6.6
<b>178</b> 7	<b>38</b> 1 1/2	<b>55</b> 2 5/32	<b>68</b> 2 11/16	<b>110</b> 4 11/32	<b>50</b> 1.969	<b>UK309 ; H2309</b> UK309 ; HA2309 UK309 ; HE2309 UK309 ; HS2309	<b>T309</b> T309 T309 T309	<b>4.1</b> 9.0
<b>192</b> 7 9/16	<b>40</b> 1 9/16	<b>61</b> 2 13/32	<b>74</b> 2 29/32	<b>118</b> 4 21/32	<b>55</b> 2.165	<b>UK310 ; H2310</b> UK310 ; HS2310 UK310 ; HA2310 UK310 ; HE2310	<b>T310</b> T310 T310 T310	<b>5.0</b> 11
<b>207</b> 8 5/32	<b>44</b> 1 23/32	<b>66</b> 2 19/32	<b>80</b> 3 5/32	<b>127</b> 5	<b>59</b> 2.323	<b>UK311 ; H2311</b> UK311 ; HS2311 UK311 ; HA2311 UK311 ; HE2311	<b>T311</b> T311 T311 T311	<b>6.4</b> 14
<b>220</b> 8 21/32	<b>46</b> 1 13/16	<b>71</b> 2 25/32	<b>85</b> 3 11/32	<b>135</b> 5 5/16	<b>62</b> 2.441	<b>UK312 ; H2312</b> UK312 ; HS2312	<b>T312</b> T312	<b>7.5</b> 17
<b>238</b> 9 3/8	<b>50</b> 1 31/32	<b>80</b> 3 5/32	<b>92</b> 3 5/8	<b>146</b> 5 3/4	<b>65</b> 2.559	<b>UK313 ; H2313</b> UK313 ; HA2313 UK313 ; HE2313 UK313 ; HS2313	<b>T313</b> T313 T313 T313	<b>9.5</b> 21
<b>262</b> 10 5/16	<b>55</b> 2 5/32	<b>90</b> 3 17/32	<b>102</b> 4 1/32	<b>160</b> 6 5/16	<b>73</b> 2.874	<b>UK315 ; H2315</b> UK315 ; HA2315 UK315 ; HE2315	<b>T315</b> T315 T315	<b>14</b> 31

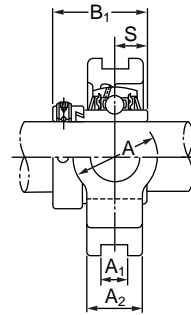
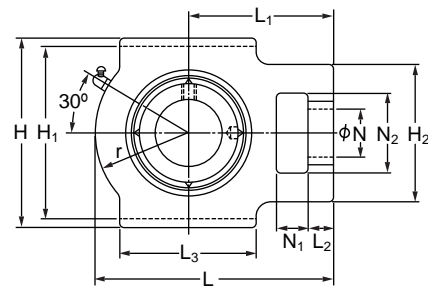
■ Taper Bored with Adapter Sleeve - UKT 300 Series



Shaft Dia.	Unit Number	Basic Dimensions								
		mm inch								
mm inch		N <sub>1</sub>	L <sub>2</sub>	H <sub>2</sub>	N <sub>2</sub>	N	L <sub>3</sub>	A <sub>1</sub>	H <sub>1</sub>	H
<b>70</b> 2 11/16 2 3/4	<b>UKT316 ; H2316</b> UKT316 ; HA2316 UKT316 ; HE2316	<b>42</b> 1 21/32	<b>30</b> 1 3/16	<b>150</b> 5 29/32	<b>98</b> 3 27/32	<b>53</b> 2 3/32	<b>160</b> 6 5/16	<b>30</b> 1.181	<b>204</b> 8 1/32	<b>230</b> 9 1/16
<b>75</b> 2 15/16 3	<b>UKT317 ; H2317</b> UKT317 ; HA2317 UKT317 ; HE2317	<b>42</b> 1 21/32	<b>32</b> 1 1/4	<b>152</b> 5 31/32	<b>98</b> 3 27/32	<b>53</b> 2 3/32	<b>170</b> 6 11/16	<b>32</b> 1.260	<b>214</b> 8 27/64	<b>240</b> 9 7/16
<b>80</b> 3 3/16	<b>UKT318 ; H2318</b> UKT318 ; HA2318	<b>46</b> 1 13/16	<b>32</b> 1 1/4	<b>160</b> 6 5/16	<b>106</b> 4 3/16	<b>57</b> 2 1/4	<b>175</b> 6 7/8	<b>32</b> 1.260	<b>228</b> 8 31/32	<b>255</b> 10 1/32
<b>85</b> 3 1/4	<b>UKT319 ; H2319</b> UKT319 ; HE2319	<b>46</b> 1 13/16	<b>33</b> 1 5/16	<b>165</b> 6 1/2	<b>106</b> 4 3/16	<b>57</b> 2 1/4	<b>180</b> 7 3/32	<b>35</b> 1.378	<b>240</b> 9 29/64	<b>270</b> 10 5/8
<b>90</b> 3 7/16 3 1/2	<b>UKT320 ; H2320</b> UKT320 ; HA2320 UKT320 ; HE2320	<b>48</b> 1 7/8	<b>34</b> 1 11/32	<b>175</b> 6 7/8	<b>115</b> 4 17/32	<b>59</b> 2 5/16	<b>200</b> 7 7/8	<b>35</b> 1.378	<b>260</b> 10 15/64	<b>290</b> 11 13/32
<b>100</b>	<b>UKT322 ; H2322</b>	<b>52</b>	<b>40</b>	<b>185</b>	<b>125</b>	<b>65</b>	<b>215</b>	<b>38</b>	<b>285</b>	<b>320</b>
<b>110</b>	<b>UKT324 ; H2324</b>	<b>60</b>	<b>44</b>	<b>210</b>	<b>140</b>	<b>70</b>	<b>230</b>	<b>45</b>	<b>320</b>	<b>355</b>
<b>115</b>	<b>UKT326 ; H2326</b>	<b>65</b>	<b>47</b>	<b>220</b>	<b>150</b>	<b>75</b>	<b>240</b>	<b>50</b>	<b>350</b>	<b>385</b>
<b>125</b>	<b>UKT328 ; H2328</b>	<b>70</b>	<b>52</b>	<b>230</b>	<b>160</b>	<b>80</b>	<b>255</b>	<b>50</b>	<b>380</b>	<b>415</b>

						Bearing Number	Housing Number	Mass
						UKT		
						kg/lbs		
L	A <sub>2</sub>	A	r	L <sub>1</sub>	B <sub>1</sub>			
<b>282</b> 11 3/32	<b>60</b> 2 3/8	<b>102</b> 4 1/32	<b>108</b> 4 1/4	<b>174</b> 6 27/32	<b>78</b> 3.071	<b>UK316 ; H2316</b> UK316 ; HA2316 UK316 ; HE2316	<b>T316</b> T316 T316	<b>17</b> 37
<b>298</b> 11 23/32	<b>64</b> 2 17/32	<b>102</b> 4 1/32	<b>115</b> 4 17/32	<b>183</b> 7 7/32	<b>82</b> 3.228	<b>UK317 ; H2317</b> UK317 ; HA2317 UK317 ; HE2317	<b>T317</b> T317 T317	<b>20</b> 44
<b>312</b> 12 9/32	<b>66</b> 2 19/32	<b>110</b> 4 11/32	<b>120</b> 4 23/32	<b>192</b> 7 9/16	<b>86</b> 3.386	<b>UK318 ; H2318</b> UK318 ; HA2318	<b>T318</b> T318	<b>22</b> 49
<b>322</b> 12 11/16	<b>72</b> 2 27/32	<b>110</b> 4 11/32	<b>125</b> 4 29/32	<b>197</b> 7 3/4	<b>90</b> 3.543	<b>UK319 ; H2319</b> UK319 ; HE2319	<b>T319</b>	<b>25</b> 55
<b>345</b> 13 19/32	<b>75</b> 2 15/16	<b>120</b> 4 23/32	<b>135</b> 5 5/16	<b>210</b> 8 9/32	<b>97</b> 3.819	<b>UK320 ; H2320</b> UK320 ; HA2320 UK320 ; HE2320	<b>T320</b> T320 T320	<b>33</b> 73
<b>385</b>	<b>80</b>	<b>130</b>	<b>150</b>	<b>235</b>	<b>105</b>	<b>UK322 ; H2322</b>	<b>T322</b>	<b>40</b>
<b>432</b>	<b>90</b>	<b>140</b>	<b>165</b>	<b>267</b>	<b>112</b>	<b>UK324 ; H2324</b>	<b>T324</b>	<b>54</b>
<b>465</b>	<b>100</b>	<b>150</b>	<b>180</b>	<b>285</b>	<b>121</b>	<b>UK326 ; H2326</b>	<b>T326</b>	<b>69</b>
<b>515</b>	<b>100</b>	<b>155</b>	<b>200</b>	<b>315</b>	<b>131</b>	<b>UK328 ; H2328</b>	<b>T328</b>	<b>84</b>

■ Eccentric Locking Collar Type - UELT 200 Series

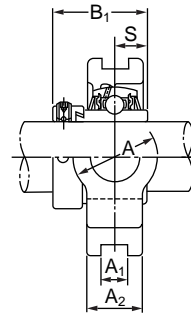
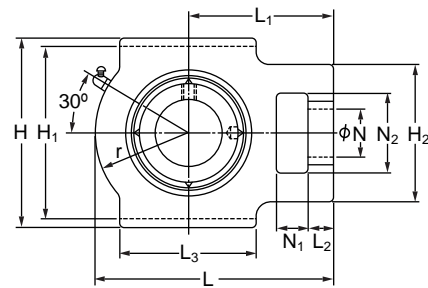


Shaft Dia. mm inch	Unit Number	Basic Dimensions								
		N <sub>1</sub>	L <sub>2</sub>	H <sub>2</sub>	N <sub>2</sub>	N	L <sub>3</sub>	A <sub>1</sub>	H <sub>1</sub>	H
<b>20</b> 3/4	<b>UEL204</b> UEL204-012	<b>16</b> 5/8	<b>12</b> 15/32	<b>51</b> 2	<b>32</b> 1 1/4	<b>19</b> 3/4	<b>51</b> 2	<b>12</b> 0.472	<b>76</b> 2 63/64	<b>89</b> 3 1/2
<b>25</b> 13/16 7/8 15/16 1	<b>UEL205</b> UEL205-013 UEL205-014 UEL205-015 UEL205-100	<b>16</b> 5/8	<b>12</b> 15/32	<b>51</b> 2	<b>32</b> 1 1/4	<b>19</b> 3/4	<b>51</b> 2	<b>12</b> 0.472	<b>76</b> 2 63/64	<b>89</b> 3 1/2
<b>30</b> 1 1/16 1 1/8 1 3/16 1 1/4	<b>UEL206</b> UEL206-101 UEL206-102 UEL206-103 UEL206-104	<b>16</b> 5/8	<b>12</b> 15/32	<b>56</b> 2 7/32	<b>37</b> 1 15/32	<b>22</b> 7/8	<b>57</b> 2 1/4	<b>12</b> 0.472	<b>89</b> 3 1/2	<b>102</b> 4 1/32
<b>35</b> 1 1/4 1 5/16 1 3/8 1 7/16	<b>UEL207</b> UEL207-104 UEL207-105 UEL207-106 UEL207-107	<b>16</b> 5/8	<b>15</b> 19/32	<b>64</b> 2 17/32	<b>37</b> 1 15/32	<b>22</b> 7/8	<b>64</b> 2 17/32	<b>12</b> 0.472	<b>89</b> 3 1/2	<b>102</b> 4 1/32
<b>40</b> 1 1/2 1 9/16	<b>UEL208</b> UEL208-108 UEL208-109	<b>19</b> 3/4	<b>18</b> 23/32	<b>83</b> 3 9/32	<b>49</b> 1 15/16	<b>29</b> 1 5/32	<b>83</b> 3 9/32	<b>16</b> 0.630	<b>102</b> 4 1/64	<b>114</b> 4 1/2
<b>45</b> 1 5/8 1 11/16 1 3/4	<b>UEL209</b> UEL209-110 UEL209-111 UEL209-112	<b>19</b> 3/4	<b>18</b> 23/32	<b>83</b> 3 9/32	<b>49</b> 1 15/16	<b>29</b> 1 5/32	<b>83</b> 3 9/32	<b>16</b> 0.630	<b>102</b> 4 1/64	<b>117</b> 4 19/32
<b>50</b> 1 13/16 1 7/8 1 15/16 2	<b>UEL210</b> UEL210-113 UEL210-114 UEL210-115 UEL210-200	<b>19</b> 3/4	<b>18</b> 23/32	<b>83</b> 3 9/32	<b>49</b> 1 15/16	<b>29</b> 1 5/32	<b>86</b> 3 3/8	<b>16</b> 0.630	<b>102</b> 4 1/64	<b>117</b> 4 19/32

L	A <sub>2</sub>	A	r	L <sub>1</sub>	B <sub>1</sub>	S	Bearing Number	Housing Number	Mass
									kg/lbs
<b>94</b> 3 11/16	<b>21</b> 13/16	<b>32</b> 1 1/4	<b>33</b> 1 5/16	<b>61</b> 2 13/32	<b>43.7</b> 1.720	<b>17.1</b> 0.673	<b>UEL204</b> UEL204-012	<b>T204</b> T204	<b>0.8</b> 1.8
<b>97</b> 3 13/16	<b>24</b> 15/16	<b>32</b> 1 1/4	<b>35</b> 1 3/8	<b>62</b> 2 7/16	<b>44.4</b> 1.748	<b>17.5</b> 0.689	<b>UEL205</b> UEL205-013 UEL205-014 UEL205-015 UEL205-100	<b>T205</b> T205 T205 T205	<b>1.0</b> 2.2
<b>113</b> 4 7/16	<b>28</b> 1 3/32	<b>37</b> 1 15/32	<b>43</b> 1 11/16	<b>70</b> 2 3/4	<b>48.4</b> 1.906	<b>18.3</b> 0.720	<b>UEL206</b> UEL206-101 UEL206-102 UEL206-103 UEL206-104	<b>T206</b> T206 T206 T206 T206	<b>1.5</b> 3.3
<b>129</b> 5 3/32	<b>30</b> 1 3/16	<b>37</b> 1 15/32	<b>51</b> 2	<b>78</b> 3 1/16	<b>51.1</b> 2.012	<b>18.8</b> 0.740	<b>UEL207</b> UEL207-104 UEL207-105 UEL207-106 UEL207-107	<b>T207</b> T207 T207 T207 T207	<b>1.8</b> 4.0
<b>144</b> 5 21/32	<b>33</b> 1 5/16	<b>49</b> 1 15/16	<b>56</b> 2 7/32	<b>88</b> 3 15/32	<b>56.3</b> 2.217	<b>21.4</b> 0.843	<b>UEL208</b> UEL208-108 UEL208-109	<b>T208</b> T208 T208	<b>2.4</b> 5.3
<b>145</b> 5 23/32	<b>35</b> 1 3/8	<b>49</b> 1 15/16	<b>57</b> 2 1/4	<b>88</b> 3 15/32	<b>56.3</b> 2.217	<b>21.4</b> 0.843	<b>UEL209</b> UEL209-110 UEL209-111 UEL209-112	<b>T209</b> T209 T209 T209	<b>2.5</b> 5.5
<b>151</b> 5 15/16	<b>37</b> 1 15/32	<b>49</b> 1 15/16	<b>59</b> 2 5/16	<b>92</b> 3 5/8	<b>62.7</b> 2.469	<b>24.6</b> 0.969	<b>UEL210</b> UEL210-113 UEL210-114 UEL210-115 UEL210-200	<b>T210</b> T210 T210 T210 T210	<b>2.6</b> 5.7



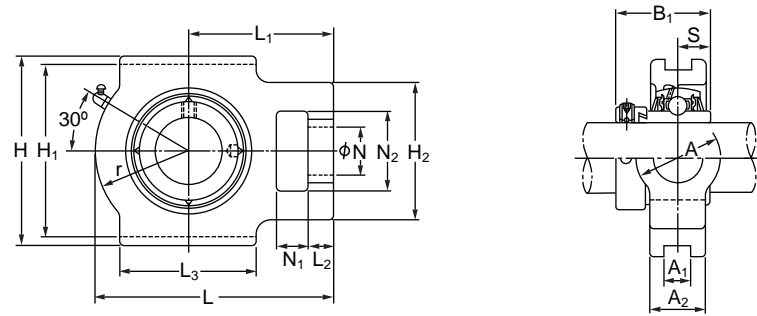
■ Eccentric Locking Collar Type - UELT 200 Series



Shaft Dia. mm inch	Unit Number	Basic Dimensions								
		N <sub>1</sub>	L <sub>2</sub>	H <sub>2</sub>	N <sub>2</sub>	N	L <sub>3</sub>	A <sub>1</sub>	H <sub>1</sub>	H
<b>55</b> 2 2 1/16 2 1/8 2 3/16	<b>UEL211</b> UEL211-200 UEL211-201 UEL211-202 UEL211-203	<b>25</b> 31/32	<b>21</b> 13/16	<b>102</b> 4 1/32	<b>64</b> 2 17/32	<b>35</b> 1 3/8	<b>95</b> 3 3/4	<b>22</b> 0.866	<b>130</b> 5 1/8	<b>146</b> 5 3/4
<b>60</b> 2 1/4 2 5/16 2 3/8 2 7/16	<b>UEL212</b> UEL212-204 UEL212-205 UEL212-206 UEL212-207	<b>32</b> 1 1/4	<b>21</b> 13/16	<b>102</b> 4 1/32	<b>64</b> 2 17/32	<b>35</b> 1 3/8	<b>102</b> 4 1/32	<b>22</b> 0.866	<b>130</b> 5 1/8	<b>146</b> 5 3/4
<b>65</b> 2 1/2 2 9/16	<b>UEL213</b> UEL213-208 UEL213-209	<b>32</b> 1 1/4	<b>23</b> 29/32	<b>111</b> 4 3/8	<b>70</b> 2 3/4	<b>41</b> 1 5/8	<b>121</b> 4 3/4	<b>26</b> 1.024	<b>151</b> 5 15/16	<b>167</b> 6 9/16
<b>70</b> 2 5/8 2 11/16 2 3/4	<b>UEL214</b> UEL214-210 UEL214-211 UEL214-212	<b>32</b> 1 1/4	<b>23</b> 29/32	<b>111</b> 4 3/8	<b>70</b> 2 3/4	<b>41</b> 1 5/8	<b>121</b> 4 3/4	<b>26</b> 1.024	<b>151</b> 5 15/16	<b>167</b> 6 9/16
<b>75</b> 2 13/16 2 7/8 2 15/16 3	<b>UEL215</b> UEL215-213 UEL215-214 UEL215-215 UEL215-300	<b>32</b> 1 1/4	<b>23</b> 29/32	<b>111</b> 4 3/8	<b>70</b> 2 3/4	<b>41</b> 1 5/8	<b>121</b> 4 3/4	<b>26</b> 1.024	<b>151</b> 5 15/16	<b>167</b> 6 9/16

L	A <sub>2</sub>	A	r	L <sub>1</sub>	B <sub>1</sub>	S	Bearing Number	Housing Number	Mass
									kg/lbs
<b>171</b> 6 23/32	<b>38</b> 1 1/2	<b>64</b> 2 17/32	<b>65</b> 2 9/16	<b>106</b> 4 3/16	<b>71.4</b> 2.811	<b>27.8</b> 1.094	<b>UEL211</b> UEL211-200 UEL211-201 UEL211-202 UEL211-203	<b>T211</b> T211 T211 T211 T211	<b>4.0</b> 8.8
<b>194</b> 7 5/8	<b>42</b> 1 21/32	<b>64</b> 2 17/32	<b>75</b> 2 15/16	<b>119</b> 4 11/16	<b>77.8</b> 3.063	<b>31</b> 1.220	<b>UEL212</b> UEL212-204 UEL212-205 UEL212-206 UEL212-207	<b>T212</b> T212 T212 T212 T212	<b>5.1</b> 11
<b>224</b> 8 13/16	<b>44</b> 1 23/32	<b>70</b> 2 3/4	<b>87</b> 3 7/16	<b>137</b> 5 13/32	<b>85.7</b> 3.374	<b>34.15</b> 1.344	<b>UEL213</b> UEL213-208 UEL213-209	<b>T213</b> T213 T213	<b>7.5</b> 17
<b>224</b> 8 13/16	<b>46</b> 1 13/16	<b>70</b> 2 3/4	<b>87</b> 3 7/16	<b>137</b> 5 13/32	<b>85.7</b> 3.374	<b>34.15</b> 1.344	<b>UEL214</b> UEL214-210 UEL214-211 UEL214-212	<b>T214</b> T214 T214 T214	<b>7.5</b> 17
<b>232</b> 9 1/8	<b>48</b> 1 7/8	<b>70</b> 2 3/4	<b>92</b> 3 5/8	<b>140</b> 5 1/2	<b>92</b> 3.622	<b>37.3</b> 1.469	<b>UEL215</b> UEL215-213 UEL215-214 UEL215-215 UEL215-300	<b>T215</b> T215 T215 T215 T215	<b>8.0</b> 18

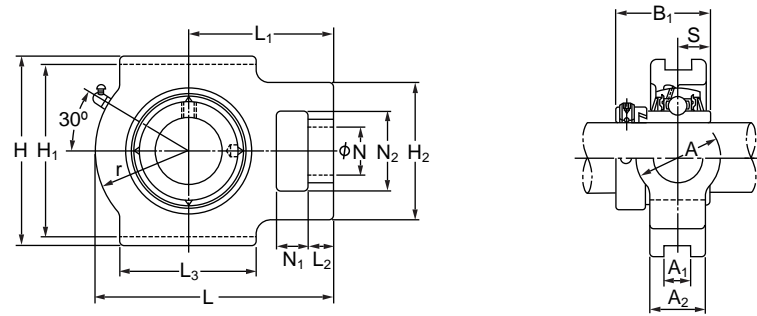
■ Eccentric Locking Collar Type - UELT 300 Series



Shaft Dia. mm inch	Unit Number	Basic Dimensions								
		N <sub>1</sub>	L <sub>2</sub>	H <sub>2</sub>	N <sub>2</sub>	N	L <sub>3</sub>	A <sub>1</sub>	H <sub>1</sub>	H
<b>25</b>	<b>UEL305</b>	<b>16</b>	<b>14</b>	<b>62</b>	<b>36</b>	<b>26</b>	<b>65</b>	<b>12</b>	<b>80</b>	<b>89</b>
13/16	UEL305-013									
7/8	UEL305-014									
15/16	UEL305-015	5/8	9/16	2 7/16	1 13/32	1 1/32	2 9/16	0.472	3 5/32	3 1/2
1	UEL305-100									
<b>30</b>	<b>UEL306</b>	<b>18</b>	<b>16</b>	<b>70</b>	<b>41</b>	<b>28</b>	<b>74</b>	<b>16</b>	<b>90</b>	<b>100</b>
1 1/16	UEL306-101									
1 1/8	UEL306-102	23/32	5/8	2 3/4	1 5/8	1 3/32	2 29/32	0.630	3 35/64	3 15/16
1 3/16	UEL306-103									
<b>35</b>	<b>UEL307</b>	<b>20</b>	<b>17</b>	<b>75</b>	<b>45</b>	<b>30</b>	<b>80</b>	<b>16</b>	<b>100</b>	<b>111</b>
1 1/4	UEL307-104									
1 5/16	UEL307-105									
1 3/8	UEL307-106	25/32	21/32	2 15/16	1 25/32	1 3/16	3 5/32	0.630	3 15/16	4 3/8
1 7/16	UEL307-107									
<b>40</b>	<b>UEL308</b>	<b>22</b>	<b>19</b>	<b>83</b>	<b>50</b>	<b>32</b>	<b>89</b>	<b>18</b>	<b>112</b>	<b>124</b>
1 1/2	UEL308-108									
1 9/16	UEL308-109	7/8	3/4	3 9/32	1 31/32	1 1/4	3 1/2	0.709	4 13/32	4 7/8
<b>45</b>	<b>UEL309</b>	<b>24</b>	<b>20</b>	<b>90</b>	<b>55</b>	<b>34</b>	<b>97</b>	<b>18</b>	<b>125</b>	<b>138</b>
1 5/8	UEL309-110									
1 11/16	UEL309-111	15/16	25/32	3 17/32	2 5/32	1 11/32	3 13/16	0.709	4 59/64	5 7/16
1 3/4	UEL309-112									
<b>50</b>	<b>UEL310</b>	<b>27</b>	<b>22</b>	<b>98</b>	<b>61</b>	<b>37</b>	<b>106</b>	<b>20</b>	<b>140</b>	<b>151</b>
1 13/16	UEL310-113									
1 7/8	UEL310-114	1 1/16	7/8	3 27/32	2 13/32	1 15/32	4 3/16	0.787	5 33/34	5 15/16
1 15/16	UEL310-115									
<b>55</b>	<b>UEL311</b>	<b>29</b>	<b>23</b>	<b>105</b>	<b>66</b>	<b>39</b>	<b>115</b>	<b>22</b>	<b>150</b>	<b>163</b>
2	UEL311-200									
2 1/16	UEL311-201									
2 1/8	UEL311-202	1 5/32	29/32	4 1/8	2 19/32	1 17/32	4 17/32	0.866	5 29/32	6 13/32
2 3/16	UEL311-203									

L	A <sub>2</sub>	A	r	L <sub>1</sub>	B <sub>1</sub>	S	Bearing Number	Housing Number	Mass
									kg/lbs
<b>122</b>	<b>26</b>	<b>36</b>	<b>46</b>	<b>76</b>	<b>46.8</b>	<b>16.7</b>	<b>UEL305</b>	<b>T305</b>	<b>1.4</b>
							UEL305-013	T305	
							UEL305-014	T305	
4 13/16	1 1/32	1 13/32	1 13/16	3	1.843	0.657	UEL305-015	T305	3.1
							UEL305-100	T305	
<b>137</b>	<b>28</b>	<b>41</b>	<b>52</b>	<b>85</b>	<b>50</b>	<b>17.5</b>	<b>UEL306</b>	<b>T306</b>	<b>1.9</b>
							UEL306-101	T306	
5 13/32	1 3/32	1 5/8	2 1/16	3 11/32	1.969	0.689	UEL306-102	T306	4.2
							UEL306-103	T306	
<b>150</b>	<b>32</b>	<b>45</b>	<b>56</b>	<b>94</b>	<b>51.6</b>	<b>18.3</b>	<b>UEL307</b>	<b>T307</b>	<b>2.5</b>
							UEL307-104	T307	
							UEL307-105	T307	
5 29/32	1 1/4	1 25/32	2 7/32	3 11/16	2.031	0.720	UEL307-106	T307	5.5
							UEL307-107	T307	
<b>162</b>	<b>34</b>	<b>50</b>	<b>62</b>	<b>100</b>	<b>57.1</b>	<b>19.8</b>	<b>UEL308</b>	<b>T308</b>	<b>3.1</b>
							UEL308-108	T308	
6 3/8	1 11/32	1 31/32	2 7/16	3 15/16	2.248	0.780	UEL308-109	T308	6.8
<b>178</b>	<b>38</b>	<b>55</b>	<b>68</b>	<b>110</b>	<b>58.7</b>	<b>19.8</b>	<b>UEL309</b>	<b>T309</b>	<b>4.2</b>
							UEL309-110	T309	
7	1 1/2	2 5/32	2 11/16	4 11/32	2.311	0.780	UEL309-111	T309	9.3
							UEL309-112	T309	
<b>192</b>	<b>40</b>	<b>61</b>	<b>74</b>	<b>118</b>	<b>66.6</b>	<b>24.6</b>	<b>UEL310</b>	<b>T310</b>	<b>5.2</b>
							UEL310-113	T310	
7 9/16	1 9/16	2 13/32	2 29/32	4 21/32	2.622	0.969	UEL310-114	T310	11
							UEL310-115	T310	
<b>207</b>	<b>44</b>	<b>66</b>	<b>80</b>	<b>127</b>	<b>73</b>	<b>27.8</b>	<b>UEL311</b>	<b>T311</b>	<b>6.6</b>
							UEL311-200	T311	
							UEL311-201	T311	
8 5/32	1 23/32	2 19/32	3 5/32	5	2.874	1.094	UEL311-202	T311	15
							UEL311-203	T311	

■ Eccentric Locking Collar Type - UELT 300 Series



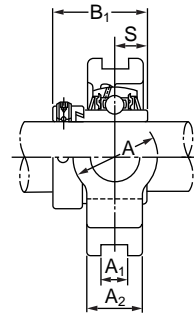
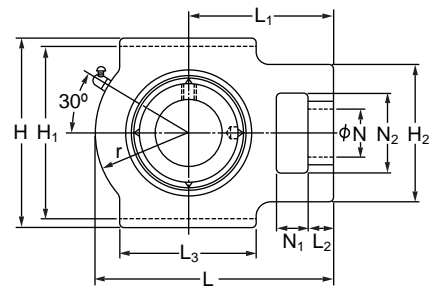
Shaft Dia. mm inch	Unit Number	Basic Dimensions								
		N <sub>1</sub>	L <sub>2</sub>	H <sub>2</sub>	N <sub>2</sub>	N	L <sub>3</sub>	A <sub>1</sub>	H <sub>1</sub>	H
<b>60</b> 2 1/4 2 5/16 2 3/8 2 7/16	<b>UEL312</b> UEL312-204 UEL312-205 UEL312-206 UEL312-207	<b>31</b> 1 7/32	<b>25</b> 31/32	<b>113</b> 4 7/16	<b>71</b> 2 25/32	<b>41</b> 1 5/8	<b>123</b> 4 27/32	<b>22</b> 0.866	<b>160</b> 6 19/64	<b>178</b> 7
<b>65</b> 2 1/2 2 9/16	<b>UEL313</b> UEL313-208 UEL313-209	<b>32</b> 1 1/4	<b>27</b> 1 1/16	<b>116</b> 4 9/16	<b>70</b> 2 3/4	<b>43</b> 1 11/16	<b>134</b> 5 9/32	<b>26</b> 1.024	<b>170</b> 6 11/16	<b>190</b> 7 15/32
<b>70</b> 2 5/8 2 11/16 2 3/4	<b>UEL314</b> UEL314-210 UEL314-211 UEL314-212	<b>36</b> 1 13/32	<b>27</b> 1 1/16	<b>130</b> 5 1/8	<b>85</b> 3 11/32	<b>46</b> 1 13/16	<b>140</b> 5 1/2	<b>26</b> 1.024	<b>180</b> 7 3/32	<b>202</b> 7 15/16
<b>75</b> 2 13/16 2 7/8 2 15/16 3	<b>UEL315</b> UEL315-213 UEL315-214 UEL315-215 UEL315-300	<b>36</b> 1 13/32	<b>27</b> 1 1/16	<b>132</b> 5 3/16	<b>85</b> 3 11/32	<b>46</b> 1 13/16	<b>150</b> 5 29/32	<b>26</b> 1.024	<b>192</b> 7 9/16	<b>216</b> 8 1/2
<b>80</b> 3 1/16 3 1/8 3 3/16	<b>UEL316</b> UEL316-301 UEL316-302 UEL316-303	<b>42</b> 1 21/32	<b>30</b> 1 3/16	<b>150</b> 5 29/32	<b>98</b> 3 27/32	<b>53</b> 2 3/32	<b>160</b> 6 5/16	<b>30</b> 1.181	<b>204</b> 8 1/32	<b>230</b> 9 1/16
<b>85</b> 3 1/4 3 5/16 3 7/16	<b>UEL317</b> UEL317-304 UEL317-305 UEL317-307	<b>42</b> 1 21/32	<b>32</b> 1 1/4	<b>152</b> 5 31/32	<b>98</b> 3 27/32	<b>53</b> 2 3/32	<b>170</b> 6 11/16	<b>32</b> 1.260	<b>214</b> 8 27/64	<b>240</b> 9 7/16
<b>90</b> 3 7/16 3 1/2	<b>UEL318</b> UEL318-307 UEL318-308	<b>46</b> 1 13/16	<b>32</b> 1 1/4	<b>160</b> 6 5/16	<b>106</b> 4 3/16	<b>57</b> 2 1/4	<b>175</b> 6 7/8	<b>32</b> 1.260	<b>228</b> 8 31/32	<b>255</b> 10 1/32
<b>95</b> 3 5/8 3 11/16 3 3/4	<b>UEL319</b> UEL319-310 UEL319-311 UEL319-312	<b>46</b> 1 13/16	<b>33</b> 1 5/16	<b>165</b> 6 1/2	<b>106</b> 4 3/16	<b>57</b> 2 1/4	<b>180</b> 7 3/32	<b>35</b> 1.378	<b>240</b> 9 29/64	<b>270</b> 10 5/8

L	A <sub>2</sub>	A	r	L <sub>1</sub>	B <sub>1</sub>	S	Bearing Number	Housing Number	Mass
									kg/lbs
<b>220</b> 8 21/32	<b>46</b> 1 13/16	<b>71</b> 2 25/32	<b>85</b> 3 11/32	<b>135</b> 5 5/16	<b>79.4</b> 3.126	<b>30.95</b> 1.219	<b>UEL312</b> UEL312-204 UEL312-205 UEL312-206 UEL312-207	<b>T312</b> T312 T312 T312 T312	<b>7.9</b> 17
<b>238</b> 9 3/8	<b>50</b> 1 31/32	<b>80</b> 3 5/32	<b>92</b> 3 5/8	<b>146</b> 5 3/4	<b>85.7</b> 3.374	<b>32.55</b> 1.281	<b>UEL313</b> UEL313-208 UEL313-209	<b>T313</b> T313 T313	<b>10</b> 22
<b>252</b> 9 29/32	<b>52</b> 2 1/16	<b>90</b> 3 17/32	<b>97</b> 3 13/16	<b>155</b> 6 3/32	<b>92.1</b> 3.626	<b>34.15</b> 1.344	<b>UEL314</b> UEL314-210 UEL314-211 UEL314-212	<b>T314</b> T314 T314 T314	<b>12</b> 26
<b>262</b> 10 5/16	<b>55</b> 2 5/32	<b>90</b> 3 17/32	<b>102</b> 4 1/32	<b>160</b> 6 5/16	<b>100</b> 3.937	<b>37.3</b> 1.469	<b>UEL315</b> UEL315-213 UEL315-214 UEL315-215 UEL315-300	<b>T315</b> T315 T315 T315 T315	<b>14</b> 31
<b>282</b> 11 3/32	<b>60</b> 2 3/8	<b>102</b> 4 1/32	<b>108</b> 4 1/4	<b>174</b> 6 27/32	<b>106.4</b> 4.189	<b>40.5</b> 1.594	<b>UEL316</b> UEL316-301 UEL316-302 UEL316-303	<b>T316</b> T316 T316 T316	<b>18</b> 40
<b>298</b> 11 23/32	<b>64</b> 2 17/32	<b>102</b> 4 1/32	<b>115</b> 4 17/32	<b>183</b> 7 7/32	<b>109.5</b> 4.311	<b>42.05</b> 1.656	<b>UEL317</b> UEL317-304 UEL317-305 UEL317-307	<b>T317</b> T317 T317 T317	<b>21</b> 46
<b>312</b> 12 9/32	<b>66</b> 2 19/32	<b>110</b> 4 11/32	<b>120</b> 4 23/32	<b>192</b> 7 9/16	<b>115.9</b> 4.563	<b>43.65</b> 1.719	<b>UEL318</b> UEL318-307 UEL318-308	<b>T318</b> T318 T318	<b>23</b> 51
<b>322</b> 12 11/16	<b>72</b> 2 27/32	<b>110</b> 4 11/32	<b>125</b> 4 29/32	<b>197</b> 7 3/4	<b>122.3</b> 4.815	<b>38.9</b> 1.531	<b>UEL319</b> UEL319-310 UEL319-311 UEL316-312	<b>T319</b> T319 T319 T319	<b>26</b> 57

4.08

4.08

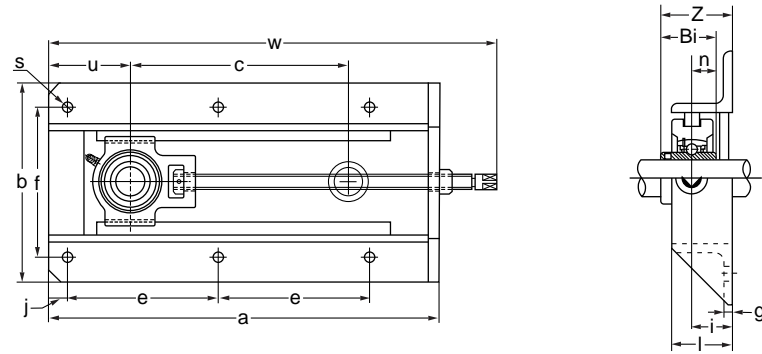
■ Eccentric Locking Collar Type - UELT 300 Series



Shaft Dia.	Unit Number	Basic Dimensions								
		mm inch								
mm inch		N <sub>1</sub>	L <sub>2</sub>	H <sub>2</sub>	N <sub>2</sub>	N	L <sub>3</sub>	A <sub>1</sub>	H <sub>1</sub>	H
<b>100</b>	<b>UEL320</b>	<b>48</b>	<b>34</b>	<b>175</b>	<b>115</b>	<b>59</b>	<b>200</b>	<b>35</b>	<b>260</b>	<b>290</b>
3 13/16	UEL320-313									
3 7/8	UEL320-314									
3 15/16	UEL320-315	1 7/8	1 11/32	6 7/8	4 17/32	2 5/16	7 7/8	1.378	10 15/64	11 13/32
4	UEL320-400									
<b>105</b>	<b>UEL321</b>	<b>48</b>	<b>34</b>	<b>175</b>	<b>115</b>	<b>59</b>	<b>200</b>	<b>35</b>	<b>260</b>	<b>290</b>
<b>110</b>	<b>UEL322</b>	<b>52</b>	<b>40</b>	<b>185</b>	<b>125</b>	<b>65</b>	<b>215</b>	<b>38</b>	<b>285</b>	<b>320</b>

							Bearing Number	Housing Number	Mass
									kg/lbs
L	A <sub>2</sub>	A	r	L <sub>1</sub>	B <sub>1</sub>	S			
<b>345</b>	<b>75</b>	<b>120</b>	<b>135</b>	<b>210</b>	<b>128.6</b>	<b>50</b>	<b>UEL320</b>	<b>T320</b>	<b>34</b>
							UEL320-313	T320	
							UEL320-314	T320	
							UEL320-315	T320	75
							UEL320-400	T320	
<b>347</b>	<b>75</b>	<b>120</b>	<b>135</b>	<b>212</b>	<b>139.7</b>	<b>48.4</b>	<b>UEL321</b>	<b>T321</b>	<b>35</b>
<b>385</b>	<b>80</b>	<b>130</b>	<b>150</b>	<b>235</b>	<b>141.3</b>	<b>49.2</b>	<b>UEL322</b>	<b>T322</b>	<b>43</b>

■ UCT 200 + WB Type - Normal Duty Set-Screw Locking



Shaft Dia. mm	Unit No.	Dimensions mm											
		a	b	c	e	f	g	i	l	j	s	u	w
12	UCT 201 +WB	317	199	150	117	154	6	29	50	19	12	83	367
15	UCT 202 +WB	317	199	150	117	154	6	29	50	19	12	83	367
17	UCT 203 +WB	317	199	150	117	154	6	29	50	19	12	83	367
20	UCT 204 +WB	317	199	150	117	154	6	29	50	19	12	83	367
25	UCT 205 +WB	317	199	150	117	154	6	29	50	19	12	83	368
30	UCT 206 +WB	337	212	150	127	166	6	30	50	19	12	95	396
35	UCT 207 +WB	429	212	230	173	166	6	30	50	19	12	99	490
40	UCT 208 +WB	520	233	300	219	192	6	30	50	22	15	108	591
45	UCT 209 +WB	520	233	300	219	192	6	30	50	22	15	108	590
50	UCT 210 +WB	520	233	300	219	192	6	30	50	22	15	108	593
55	UCT 211 +WB	542	301	300	230	240	6	38	65	22	15	114	631
60	UCT 212 +WB	568	301	300	243	240	6	38	65	22	15	127	657
65	UCT 213 +WB	606	322	300	260	260	6	38	65	22	15	144	699

Z	Bi	n	Shaft Dia.	Frame No.	Weight
			mm		kg/lbs
47.3	31	12.7	M10	WB 205	5
47.3	31	12.7	M10	WB 205	5
47.3	31	12.7	M10	WB 205	5
47.3	31	12.7	M10	WB 205	5
48.7	34.1	14.3	M10	WB 205	5
52.2	38.1	15.9	M10	WB 206	5.9
55.4	42.9	17.5	M10	WB 207	7.9
60.2	49.2	19	M12	WB 210	11.1
60.2	49.2	19	M12	WB 210	11.1
62.6	51.6	19	M12	WB 210	11.2
71.4	55.6	22.2	M12	WB 211	17.3
77.7	65.1	25.4	M12	WB 212	18.7
77.7	65.1	25.4	M12	WB 213	23.4





# Cylindrical Unit

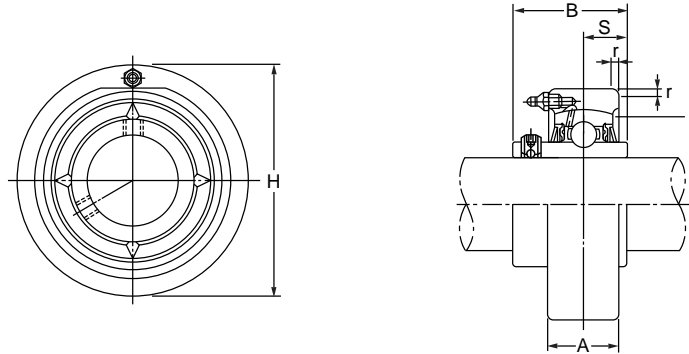
5.00

	Page
5.01 Round, Set Screw Type - UCC 200 Series	223
5.02 Round, Set Screw Type - UCCX Series	225
5.03 Round, Set Screw Type - UCC 300 Series	227
5.04 Round, Adapter Type - UKC 200 Series	230
5.05 Round, Adapter Type - UKCX Series	231
5.06 Round, Adapter Type - UKC 300 Series	232
5.07 Round, Eccentric Locking Collar Type - UELC 200 Series	234
5.08 Round, Eccentric Locking Collar Type - UELC 300 Series	236

# Cylindrical Unit Cast Housing (Round)



■ Set Screw Type - UCC 200 Series

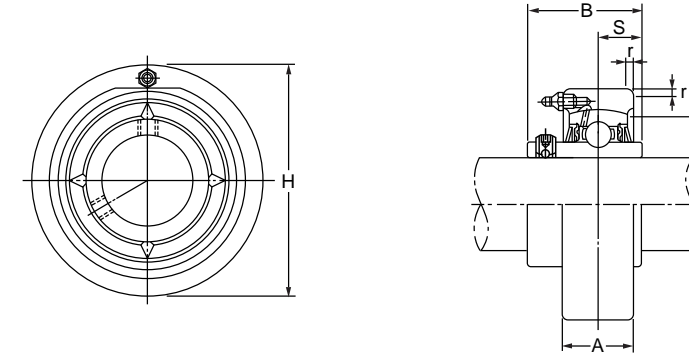


Shaft Dia.	Unit Number	Basic Dimensions					Bearing Number	Housing Number	Mass
		H	A	r	B	S			
12 mm 1/2 inch	<b>UCC201</b> UCC201-008	<b>72</b> 2.8346	<b>20</b> 25/32	<b>2</b> 0.079	<b>31</b> 1.2205	<b>12.7</b> 0.500	<b>UC201</b> UC201-008	<b>C204</b> C204	<b>0.6</b> 1.3
15 mm 9/16 5/8 inch	<b>UCC202</b> UCC202-009 UCC202-009	<b>72</b> 2.8346	<b>20</b> 25/32	<b>2</b> 0.079	<b>31</b> 1.2205	<b>12.7</b> 0.500	<b>UC202</b> UC202-009 UC202-010	<b>C204</b> C204 C204	<b>0.6</b> 1.3
17 mm 11/16 inch	<b>UCC203</b> UCC203-011	<b>72</b> 2.8346	<b>20</b> 25/32	<b>2</b> 0.079	<b>31</b> 1.2205	<b>12.7</b> 0.500	<b>UC203</b> UC203-011	<b>C204</b> C204	<b>0.5</b> 1.1
20 mm 3/4 inch	<b>UCC204</b> UCC204-012	<b>72</b> 2.8346	<b>20</b> 25/32	<b>2</b> 0.079	<b>31</b> 1.2205	<b>12.7</b> 0.500	<b>UC204</b> UC204-012	<b>C204</b> C204	<b>0.5</b> 1.1
25 mm 13/16 7/8 15/16 1 inch	<b>UCC205</b> UCC205-013 UCC205-014 UCC205-015 UCC205-100	<b>80</b> 3.1496	<b>22</b> 55/64	<b>2</b> 0.079	<b>34.1</b> 1.3425	<b>14.3</b> 0.563	<b>UC205</b> UC205-013 UC205-014 UC205-015 UC205-100	<b>C205</b> C205 C205 C205	<b>0.7</b> 1.5
30 mm 1 1/16 1 1/8 1 3/16 1 1/4 inch	<b>UCC206</b> UCC206-101 UCC206-102 UCC206-103 UCC206-104	<b>85</b> 3.3465	<b>27</b> 1 1/16	<b>2</b> 0.079	<b>38.1</b> 1.5000	<b>15.9</b> 0.626	<b>UC206</b> UC206-101 UC206-102 UC206-103 UC206-104	<b>C206</b> C206 C206 C206	<b>0.9</b> 2.0
35 mm 1 1/4 1 5/16 1 3/8 1 7/16 inch	<b>UCC207</b> UCC207-104 UCC207-105 UCC207-106 UCC207-107	<b>90</b> 3.5433	<b>28</b> 1 7/64	<b>2</b> 0.079	<b>42.9</b> 1.6890	<b>17.5</b> 0.689	<b>UC207</b> UC207-104 UC207-105 UC207-106 UC207-107	<b>C207</b> C207 C207 C207	<b>1.0</b> 2.2
40 mm 1 1/2 1 9/16 inch	<b>UCC208</b> UCC208-108 UCC208-109	<b>100</b> 3.9370	<b>30</b> 1 3/16	<b>2.5</b> 0.098	<b>49.2</b> 1.9370	<b>19</b> 0.748	<b>UC208</b> UC208-108 UC208-109	<b>C208</b> C208 C208	<b>1.3</b> 2.9
45 mm 1 5/8 1 11/16 1 3/4 inch	<b>UCC209</b> UCC209-110 UCC209-111 UCC209-112	<b>110</b> 4.3307	<b>31</b> 1 7/32	<b>2.5</b> 0.098	<b>49.2</b> 1.9370	<b>19</b> 0.748	<b>UC209</b> UC209-110 UC209-111 UC209-112	<b>C209</b> C209 C209	<b>1.6</b> 3.5



# Cylindrical Unit Cast Housing (Round)

■ Set Screw Type - UCC 200 Series

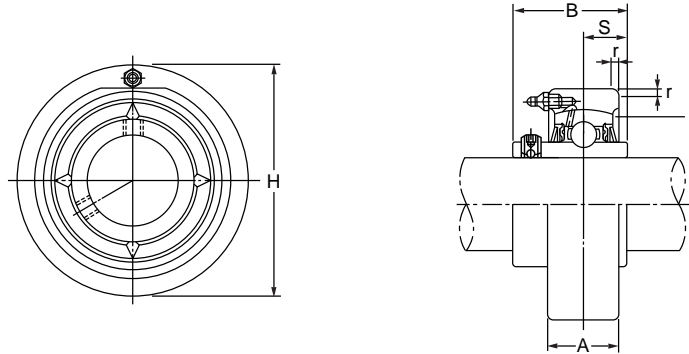


Shaft Dia.	Unit Number	Basic Dimensions					Bearing Number	Housing Number	Mass
		H	A	r	B	S			
50 mm 1 13/16 1 7/8 1 15/16 2 inch	<b>UCC210</b> UCC210-113 UCC210-114 UCC210-115 UCC210-200	<b>120</b> 4.7244	<b>33</b> 1 19/64	<b>2.5</b> 0.098	<b>51.6</b> 2.0315	<b>19</b> 0.748	<b>UC210</b> UC210-113 UC210-114 UC210-115 UC210-200	<b>C210</b> C210 C210 C210 C210	<b>2.0</b> 4.4
55 mm 2 2 1/16 2 1/8 2 3/16 inch	<b>UCC211</b> UCC211-200 UCC211-201 UCC211-202 UCC211-203	<b>125</b> 4.9213	<b>35</b> 1 3/8	<b>2.5</b> 0.098	<b>55.6</b> 2.1890	<b>22.2</b> 0.874	<b>UC211</b> UC211-200 UC211-201 UC211-202 UC211-203	<b>C211</b> C211 C211 C211 C211	<b>2.2</b> 4.9
60 mm 2 1/4 2 5/16 2 3/8 2 7/16 inch	<b>UCC212</b> UCC212-204 UCC212-205 UCC212-206 UCC212-207	<b>130</b> 5.1181	<b>38</b> 1 1/2	<b>2.5</b> 0.098	<b>65.1</b> 2.5630	<b>25.4</b> 1.000	<b>UC212</b> UC212-204 UC212-205 UC212-206 UC212-207	<b>C212</b> C212 C212 C212 C212	<b>2.6</b> 5.7
65 mm 2 1/2 2 9/16 inch	<b>UCC213</b> UCC213-208 UCC213-209	<b>140</b> 5.5118	<b>40</b> 1 37/64	<b>3</b> 0.118	<b>65.1</b> 2.5630	<b>25.4</b> 1.000	<b>UC213</b> UC213-208 UC213-209	<b>C213</b> C213 C213	<b>3.1</b> 6.8

# Cylindrical Unit Cast Housing (Round)



■ Set Screw Type - UCCX Series

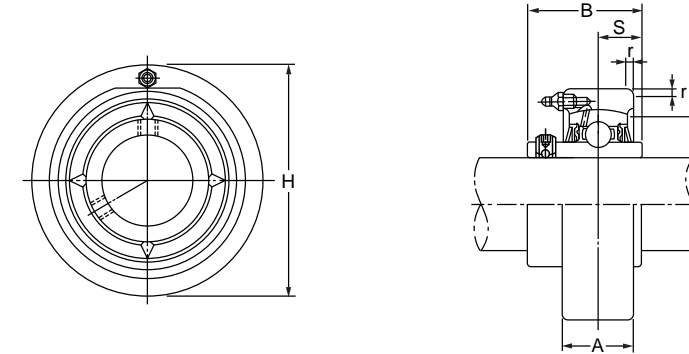


Shaft Dia.	Unit Number	Basic Dimensions					Bearing Number	Housing Number	Mass
		H	A	r	B	S			
25	<b>UCCX05</b>	<b>90</b>	<b>27</b>	<b>2</b>	<b>38.1</b>	<b>15.9</b>	<b>UCX05</b>	<b>CX05</b>	<b>1.1</b>
13/16	UCCX05-013						UCX05-013	CX05	
7/8	UCCX05-014	3.5433	1 1/16	0.079	1.5000	0.626	UCX05-014	CX05	2.4
15/16	UCCX05-015						UCX05-015	CX05	
1	UCCX05-100						UCX05-100	CX05	
<b>30</b>	<b>UCCX06</b>	<b>100</b>	<b>30</b>	<b>2.5</b>	<b>42.9</b>	<b>17.5</b>	<b>UCX06</b>	<b>CX06</b>	<b>1.6</b>
1 1/16	UCCX06-101						UCX06-101	CX06	
1 1/8	UCCX06-102	3.9370	1 3/16	0.098	1.6890	0.689	UCX06-102	CX06	3.5
1 3/16	UCCX06-103						UCX06-103	CX06	
1 1/4	UCCX06-104						UCX06-104	CX06	
<b>35</b>	<b>UCCX07</b>	<b>110</b>	<b>34</b>	<b>2.5</b>	<b>49.2</b>	<b>19</b>	<b>UCX07</b>	<b>CX07</b>	<b>2.0</b>
1 5/16	UCCX07-105						UCX07-105	CX07	
1 3/8	UCCX07-106	4.3307	1 11/32	0.098	1.9370	0.748	UCX07-106	CX07	4.4
1 7/16	UCCX07-107						UCX07-107	CX07	
<b>40</b>	<b>UCCX08</b>	<b>120</b>	<b>38</b>	<b>2.5</b>	<b>49.2</b>	<b>19</b>	<b>UCX08</b>	<b>CX08</b>	<b>2.5</b>
1 1/2	UCCX08-108						UCX08-108	CX08	
1 9/16	UCCX08-109	4.7244	1 1/2	0.098	1.9370	0.748	UCX08-109	CX08	5.5
<b>45</b>	<b>UCCX09</b>	<b>120</b>	<b>38</b>	<b>2.5</b>	<b>51.6</b>	<b>19</b>	<b>UCX09</b>	<b>CX09</b>	<b>2.4</b>
1 5/8	UCCX09-110						UCX09-110	CX09	
1 11/16	UCCX09-111	4.7244	1 1/2	0.098	2.0315	0.748	UCX09-111	CX09	5.3
1 3/4	UCCX09-112						UCX09-112	CX09	
1 13/16	UCCX09-113						UCX09-113	CX09	
<b>50</b>	<b>UCCX10</b>	<b>130</b>	<b>40</b>	<b>2.5</b>	<b>55.6</b>	<b>22.2</b>	<b>UCX10</b>	<b>CX10</b>	<b>3.0</b>
1 7/8	UCCX10-114						UCX10-114	CX10	
1 15/16	UCCX10-115	5.1181	1 37/64	0.098	2.1890	0.874	UCX10-115	CX10	6.6
2	UCCX10-200						UCX10-200	CX10	



# Cylindrical Unit Cast Housing (Round)

■ Set Screw Type - UCCX Series



Shaft Dia.	Unit Number	Basic Dimensions					Bearing Number	Housing Number	Mass
		H	A	r	B	S			
<b>55</b>	<b>UCCX11</b>	<b>150</b>	<b>42</b>	<b>3</b>	<b>65.1</b>	<b>25.4</b>	<b>UCX11</b>	<b>CX11</b>	<b>4.4</b>
2 1/16	UCCX11-201						UCX11-201	CX11	
2 1/8	UCCX11-202						UCX11-202	CX11	
2 3/16	UCCX11-203	5.9055	1 21/32	0.118	2.5630	1.000	UCX11-203	CX11	9.7
2 1/4	UCCX11-204						UCX11-204	CX11	
2 5/16	UCCX11-205						UCX11-205	CX11	
<b>60</b>	<b>UCCX12</b>	<b>160</b>	<b>44</b>	<b>3</b>	<b>65.1</b>	<b>25.4</b>	<b>UCX12</b>	<b>CX12</b>	<b>5.0</b>
2 3/8	UCCX12-206	6.2992	1 47/64	0.118	2.5630	1.000	UCX12-206	CX12	11
2 7/16	UCCX12-207						UCX12-207	CX12	

5.02

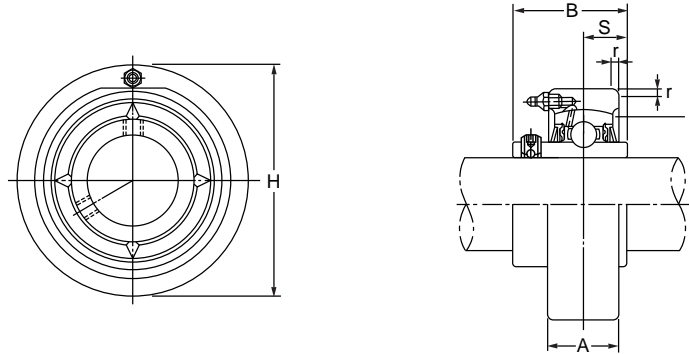
5.02



# Cylindrical Unit Cast Housing (Round)



■ Set Screw Type - UCC 300 Series

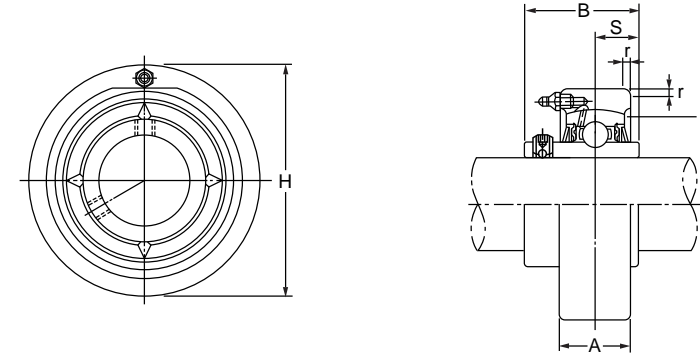


Shaft Dia.	Unit Number	Basic Dimensions					Bearing Number	Housing Number	Mass
		H	A	r	B	S			
25	<b>UCC305</b>	<b>90</b>	<b>26</b>	<b>2.5</b>	<b>38</b>	<b>15</b>	<b>UC305</b>	<b>C305</b>	<b>1.1</b>
13/16	UCC305-013						UC305-013	C305	
7/8	UCC305-014	3.5433	1 1/32	0.098	1.4961	0.591	UC305-014	C305	2.4
15/16	UCC305-015						UC305-015	C305	
1	UCC305-100						UC305-100	C305	
<b>30</b>	<b>UCC306</b>	<b>100</b>	<b>28</b>	<b>2.5</b>	<b>43</b>	<b>17</b>	<b>UC306</b>	<b>C306</b>	<b>1.4</b>
1 1/16	UCC306-101						UC306-101	C306	
1 1/8	UCC306-102	3.9370	1 7/64	0.098	1.6929	0.669	UC306-102	C306	3.1
1 3/16	UCC306-103						UC306-103	C306	
<b>35</b>	<b>UCC307</b>	<b>110</b>	<b>32</b>	<b>3</b>	<b>48</b>	<b>19</b>	<b>UC307</b>	<b>C307</b>	<b>1.8</b>
1 1/4	UCC307-104						UC307-104	C307	
1 5/16	UCC307-105	4.3307	1 17/64	0.118	1.8898	0.748	UC307-105	C307	4.0
1 3/8	UCC307-106						UC307-106	C307	
1 7/16	UCC307-107						UC307-107	C307	
<b>40</b>	<b>UCC308</b>	<b>120</b>	<b>34</b>	<b>3</b>	<b>52</b>	<b>19</b>	<b>UC308</b>	<b>C308</b>	<b>2.2</b>
1 1/2	UCC308-108						UC308-108	C308	
1 9/16	UCC308-109	4.7244	1 11/32	0.118	2.0472	0.748	UC308-109	C308	4.9
<b>45</b>	<b>UCC309</b>	<b>130</b>	<b>38</b>	<b>3.5</b>	<b>57</b>	<b>22</b>	<b>UC309</b>	<b>C309</b>	<b>2.7</b>
1 5/8	UCC309-110						UC309-110	C309	
1 11/16	UCC309-111	5.1181	1 1/2	0.138	2.2441	0.866	UC309-111	C309	6.0
1 3/4	UCC309-112						UC309-112	C309	
<b>50</b>	<b>UCC310</b>	<b>140</b>	<b>40</b>	<b>3.5</b>	<b>61</b>	<b>22</b>	<b>UC310</b>	<b>C310</b>	<b>3.3</b>
1 13/16	UCC310-113						UC310-113	C310	
1 7/8	UCC310-114	5.5118	1 37/64	0.138	2.4016	0.866	UC310-114	C310	7.3
1 15/16	UCC310-200						UC310-200	C310	
<b>55</b>	<b>UCC311</b>	<b>150</b>	<b>44</b>	<b>3.5</b>	<b>66</b>	<b>25</b>	<b>UC311</b>	<b>C311</b>	<b>3.9</b>
2	UCC311-200						UC311-200	C311	
2 1/16	UCC311-201	5.9055	1 47/64	0.138	2.5984	0.984	UC311-201	C311	8.6
2 1/8	UCC311-202						UC311-202	C311	
2 3/16	UCC311-203						UC311-203	C311	



# Cylindrical Unit Cast Housing (Round)

■ Set Screw Type - UCC 300 Series



Shaft Dia.	Unit Number	Basic Dimensions					Bearing Number	Housing Number	Mass
		H	A	r	B	S			
<b>60</b>	<b>UCC312</b>	<b>160</b>	<b>46</b>	<b>3.5</b>	<b>71</b>	<b>26</b>	<b>UC312</b>	<b>C312</b>	<b>4.8</b>
2 1/4	UCC312-204						UC312-204	C312	
2 5/16	UCC312-205	6.2992	1 13/16	0.138	2.7953	1.024	UC312-205	C312	11
2 3/8	UCC312-206						UC312-206	C312	
2 7/16	UCC312-207						UC312-207	C312	
<b>65</b>	<b>UCC313</b>	<b>170</b>	<b>50</b>	<b>3.5</b>	<b>75</b>	<b>30</b>	<b>UC313</b>	<b>C313</b>	<b>5.8</b>
2 1/2	UCC313-208						UC313-208	C313	
2 9/16	UCC313-209	6.6929	1 31/32	0.138	2.9528	1.181	UC313-209	C313	13
<b>70</b>	<b>UCC314</b>	<b>180</b>	<b>52</b>	<b>4</b>	<b>78</b>	<b>33</b>	<b>UC314</b>	<b>C314</b>	<b>6.6</b>
2 5/8	UCC314-210						UC314-210	C314	
2 11/16	UCC314-211	7.0866	2 3/64	0.157	3.0709	1.299	UC314-211	C314	15
2 3/4	UCC314-212						UC314-212	C314	
<b>75</b>	<b>UCC315</b>	<b>190</b>	<b>55</b>	<b>4</b>	<b>82</b>	<b>32</b>	<b>UC315</b>	<b>C315</b>	<b>7.8</b>
2 13/16	UCC315-213						UC315-213	C315	
2 7/8	UCC315-214	7.4803	2 11/64	0.157	3.2283	1.260	UC315-214	C315	17
2 15/16	UCC315-215						UC315-215	C315	
3	UCC315-300						UC315-300	C315	
<b>80</b>	<b>UCC316</b>	<b>200</b>	<b>60</b>	<b>4</b>	<b>86</b>	<b>34</b>	<b>UC316</b>	<b>C316</b>	<b>9.0</b>
3 1/16	UCC316-301						UC316-301	C316	
3 1/8	UCC316-302	7.8740	2 23/64	0.157	3.3858	1.339	UC316-302	C316	20
3 3/16	UCC316-303						UC316-303	C316	
<b>85</b>	<b>UCC317</b>	<b>215</b>	<b>64</b>	<b>4</b>	<b>96</b>	<b>40</b>	<b>UC317</b>	<b>C317</b>	<b>11</b>
3 1/4	UCC317-304						UC317-304	C317	
3 5/16	UCC317-305	8.4646	2 33/64	0.157	3.7795	1.575	UC317-305	C317	24
3 7/16	UCC317-307						UC317-307	C317	
<b>90</b>	<b>UCC318</b>	<b>225</b>	<b>66</b>	<b>4</b>	<b>96</b>	<b>40</b>	<b>UC318</b>	<b>C318</b>	<b>12</b>
3 1/2	UCC318-308	8.8583	2 19/32	0.157	3.7795	1.575	UC318-308	C318	26
<b>95</b>	<b>UCC319</b>	<b>240</b>	<b>72</b>	<b>4</b>	<b>103</b>	<b>41</b>	<b>UC319</b>	<b>C319</b>	<b>15</b>
3 5/8	UCC319-310						UC319-310	C319	
3 11/16	UCC319-311	9.4488	2 53/64	0.157	4.0551	1.614	UC319-311	C319	33
3 3/4	UCC319-312						UC319-312	C319	

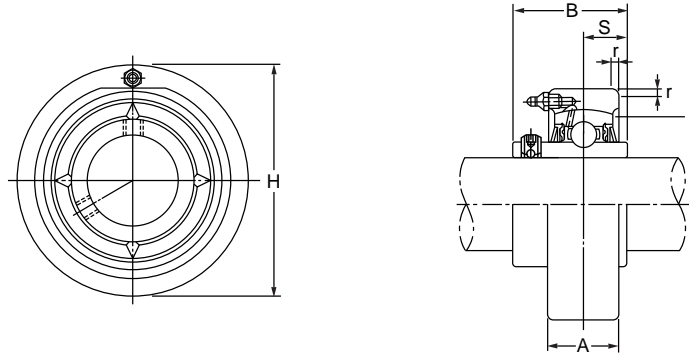
5.03

5.03

# Cylindrical Unit Cast Housing (Round)



■ Set Screw Type - UCC 300 Series

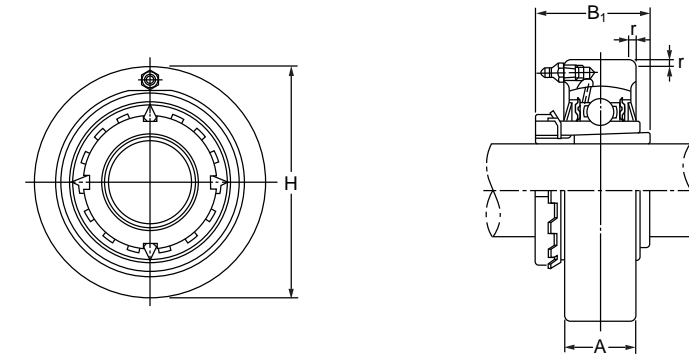


Shaft Dia.	Unit Number	Basic Dimensions					Bearing Number	Housing Number	Mass
		H	A	r	B	S			
100	<b>UCC320</b>	260	75	4	108	42	<b>UC320</b>	<b>C320</b>	19
3 13/16	UCC320-313						UC320-313	C320	
3 7/8	UCC320-314						UC320-314	C320	
3 15/16	UCC320-315	10.2362	2 61/64	0.157	4.2520	1.654	UC320-315	C320	42
4	UCC320-400						UC320-400	C320	
105	<b>UCC321</b>	260	75	4	112	44	<b>UC321</b>	<b>C321</b>	19
110	<b>UCC322</b>	300	80	5	117	46	<b>UC322</b>	<b>C322</b>	28
120	<b>UCC324</b>	320	90	5	126	51	<b>UC324</b>	<b>C324</b>	35
130	<b>UCC326</b>	340	100	5	135	54	<b>UC326</b>	<b>C326</b>	42
140	<b>UCC328</b>	360	100	5	145	59	<b>UC328</b>	<b>C328</b>	84



# Cylindrical Unit Cast Housing (Round)

Adapter Type - UKC 200 Series ■



Shaft Dia.	Unit Number	Basic Dimensions				Bearing Number	Housing Number	Mass
		H	A	r	B			
20	<b>UKC205 ; H2305</b>	80	22	2	35	<b>UK205 ; H2305</b>	<b>C205</b>	0.8
3/4	UKC205 ; HE2305	3.1496	55/64	0.079	1.378	UK205 ; HE2305	C205	1.8
25	<b>UKC206 ; H2306</b>	85	27	2	38	<b>UK206 ; H2306</b>	<b>C206</b>	0.9
7/8	UKC206 ; HS2306					UK206 ; HS2306	C206	
15/16	UKC206 ; HE2306	3.3465	1 1/16	0.079	1.496	UK206 ; HE2306	C206	2.0
30	<b>UKC207 ; H2307</b>	90	28	2	43	<b>UK207 ; H2307</b>	<b>C207</b>	1.1
1 1/8	UKC207 ; HS2307	3.5433	1 7/64	0.079	1.693	UK207 ; HS2307	C207	2.4
35	<b>UKC208 ; H2308</b>	100	30	2.5	46	<b>UK208 ; H2308</b>	<b>C208</b>	1.4
1 1/4	UKC208 ; HE2308					UK208 ; HE2308	C208	
1 3/8	UKC208 ; HS2308	3.9370	1 3/16	0.098	1.811	UK208 ; HS2308	C208	3.1
40	<b>UKC209 ; H2309</b>	110	31	2.5	50	<b>UK209 ; H2309</b>	<b>C209</b>	1.7
1 7/16	UKC209 ; HA2309					UK209 ; HA2309	C209	
1 1/2	UKC209 ; HE2309	4.3307	1 7/32	0.098	1.969	UK209 ; HE2309	C209	3.7
1 5/8	UKT209 ; HS2309					UK209 ; HS2309	C208	
45	<b>UKC210 ; H2310</b>	120	33	2.5	55	<b>UK210 ; H2310</b>	<b>C210</b>	2.1
1 5/8	UKC210 ; HS2310					UK210 ; HS2310	C210	
1 11/16	UKC210 ; HA2310	4.7244	1 19/64	0.098	2.165	UK210 ; HA2310	C210	4.6
1 3/4	UKC210 ; HE2310					UK210 ; HE2310	C210	
50	<b>UKC211 ; H2311</b>	125	35	2.5	59	<b>UK211 ; H2311</b>	<b>C211</b>	2.4
1 7/8	UKC211 ; HS2311					UK211 ; HS2311	C211	
1 15/16	UKC211 ; HA2311	4.9213	1 3/8	0.098	2.323	UK211 ; HA2311	C211	5.3
2	UKC211 ; HE2311					UK211 ; HE2311	C211	
55	<b>UKC212 ; H2312</b>	130	38	2.5	62	<b>UK212 ; H2312</b>	<b>C212</b>	2.6
2 1/8	UKC212 ; HS2312	5.1181	1 1/2	0.098	2.441	UK212 ; HS2312	C212	5.7
60	<b>UKC213 ; H2313</b>	140	40	3	65	<b>UK213 ; H2313</b>	<b>C213</b>	3.2
2 3/16	UKC213 ; HA2313					UK213 ; HA2313	C213	
2 1/4	UKC213 ; HE2313	5.5118	1 37/64	0.118	2.559	UK213 ; HE2313	C213	7.1
2 3/8	UKC213 ; HS2313					UK213 ; HS2313	C212	

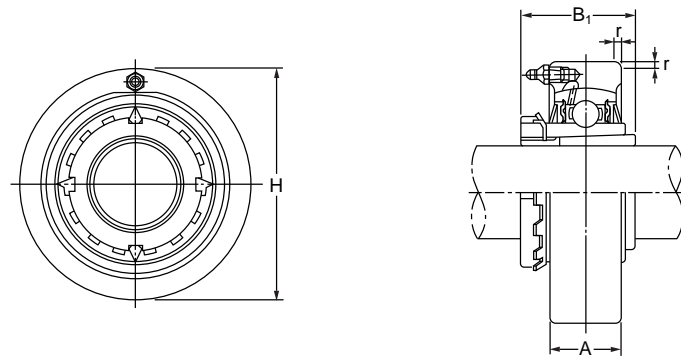
5.03

5.04

# Cylindrical Unit Cast Housing (Round)



■ Adapter Type - UKCX Series

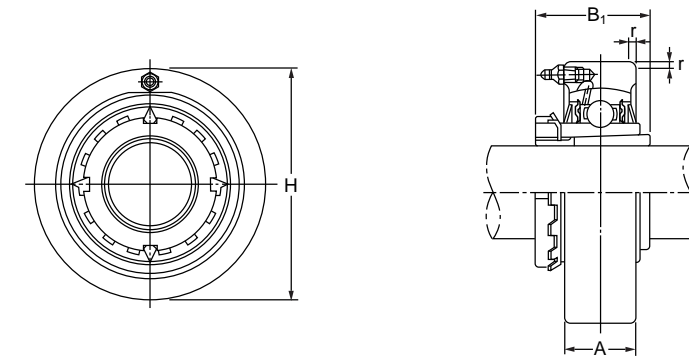


Shaft Dia.	Unit Number	Basic Dimensions				Bearing Number	Housing Number	Mass
		H	A	r	B <sub>1</sub>			
20 3/4	<b>UKCX05 ; H2305</b> UKCX05 ; HE2305	<b>90</b> 3.5433	<b>27</b> 1 1/16	<b>2</b> 0.079	<b>35</b> 1.378	<b>UKX05 ; H2305</b> UKX05 ; HE2305	<b>CX05</b> CX05	<b>1.1</b> 2.4
25 7/8 1	<b>UKCX06 ; H2306</b> UKCX06 ; HS2306 UKCX06 ; HE2306	<b>100</b> 3.9370	<b>30</b> 1 3/16	<b>2.5</b> 0.098	<b>38</b> 1.496	<b>UKX06 ; H2306</b> UKX06 ; HS2306 UKX06 ; HE2306	<b>CX06</b> CX06 CX06	<b>1.4</b> 3.1
30 1 1/8	<b>UKCX07 ; H2307</b> UKCX07 ; HS2307	<b>110</b> 4.3307	<b>34</b> 1 11/32	<b>2.5</b> 0.098	<b>43</b> 1.693	<b>UKX07 ; H2307</b> UKX07 ; HS2307	<b>CX07</b> CX07	<b>1.9</b> 4.2
35 1 1/4 1 3/8	<b>UKCX08 ; H2308</b> UKCX08 ; HE2308 UKCX08 ; HS2308	<b>120</b> 4.7244	<b>38</b> 1 1/2	<b>2.5</b> 0.098	<b>46</b> 1.811	<b>UKX08 ; H2308</b> UKX08 ; HE2308 UKX08 ; HS2308	<b>CX08</b> CX08 CX08	<b>2.5</b> 5.5
40 1 7/16 1 1/2 1 5/8	<b>UKCX09 ; H2309</b> UKCX09 ; HA2309 UKCX09 ; HE2309 UKCX09 ; HS2309	<b>120</b> 4.7244	<b>38</b> 1 1/2	<b>2.5</b> 0.098	<b>50</b> 1.969	<b>UKX09 ; H2309</b> UKX09 ; HA2309 UKX09 ; HE2309 UKX09 ; HS2309	<b>CX09</b> CX09 CX09 CX08	<b>2.4</b> 5.3
45 1 5/8 1 11/16 1 3/4	<b>UKCX10 ; H2310</b> UKCX10 ; HS2310 UKCX10 ; HA2310 UKCX10 ; HE2310	<b>130</b> 5.1181	<b>40</b> 1 37/64	<b>2.5</b> 0.098	<b>55</b> 2.165	<b>UKX10 ; H2310</b> UKX10 ; HS2310 UKX10 ; HA2310 UKX10 ; HE2310	<b>CX10</b> CX10 CX10 CX10	<b>2.9</b> 6.4
50 1 7/8 1 15/16 2	<b>UKCX11 ; H2311</b> UKCX11 ; HS2311 UKCX11 ; HA2311 UKCX11 ; HE2311	<b>150</b> 5.9055	<b>42</b> 1 21/32	<b>3</b> 0.118	<b>59</b> 2.323	<b>UKX11 ; H2311</b> UKX11 ; HS2311 UKX11 ; HA2311 UKX11 ; HE2311	<b>CX11</b> CX11 CX11 CX11	<b>4.2</b> 9.3
55 2 1/8	<b>UKCX12 ; H2312</b> UKCX12 ; HS2312	<b>160</b> 6.2992	<b>44</b> 1 47/64	<b>3</b> 0.118	<b>62</b> 2.441	<b>UKX12 ; H2312</b> UKX12 ; HS2312	<b>CX12</b> CX12	<b>4.8</b> 11



# Cylindrical Unit Cast Housing (Round)

■ Adapter Type - UKC 300 Series

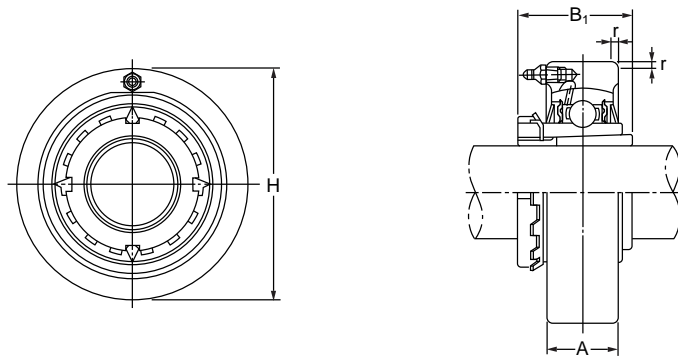


Shaft Dia.	Unit Number	Basic Dimensions				Bearing Number	Housing Number	Mass
		H	A	r	B <sub>1</sub>			
20 3/4	<b>UKC305 ; H2305</b> UKC305 ; HE2305	<b>90</b> 3.5433	<b>26</b> 1 1/32	<b>2.5</b> 0.098	<b>35</b> 1.378	<b>UK305 ; H2305</b> UK305 ; HE2305	<b>C305</b> C305	<b>1.2</b> 2.6
25 7/8 1	<b>UKC306 ; H2306</b> UKC306 ; HS2306 UKC306 ; HE2306	<b>100</b> 3.9370	<b>28</b> 1 7/64	<b>2.5</b> 0.098	<b>38</b> 1.496	<b>UK306 ; H2306</b> UK306 ; HS2306 UK306 ; HE2306	<b>C306</b> C306 C306	<b>1.4</b> 3.1
30 1 1/8	<b>UKC307 ; H2307</b> UKC307 ; HS2307	<b>110</b> 4.3307	<b>32</b> 1 17/64	<b>3</b> 0.118	<b>43</b> 1.693	<b>UK307 ; H2307</b> UK307 ; HS2307	<b>C307</b> C307	<b>1.8</b> 4.0
35 1 1/4 1 3/8	<b>UKC308 ; H2308</b> UKC308 ; HE2308 UKC308 ; HS2308	<b>120</b> 4.7244	<b>34</b> 1 11/32	<b>3</b> 0.118	<b>46</b> 1.811	<b>UK308 ; H2308</b> UK308 ; HE2308 UK308 ; HS2308	<b>C308</b> C308 C308	<b>2.2</b> 4.9
40 1 7/16 1 1/2 1 5/8	<b>UKC309 ; H2309</b> UKC309 ; HA2309 UKC309 ; HE2309 UKC309 ; HS2309	<b>130</b> 5.1181	<b>38</b> 1 1/2	<b>3.5</b> 0.138	<b>50</b> 1.969	<b>UK309 ; H2309</b> UK309 ; HA2309 UK309 ; HE2309 UK309 ; HS2309	<b>C309</b> C309 C309 C309	<b>2.8</b> 6.2
45 1 5/8 1 11/16 1 3/4	<b>UKC310 ; H2310</b> UKC310 ; HS2310 UKC310 ; HA2310 UKC310 ; HE2310	<b>140</b> 5.5118	<b>40</b> 1 37/64	<b>3.5</b> 0.138	<b>55</b> 2.165	<b>UK310 ; H2310</b> UK310 ; HS2310 UK310 ; HA2310 UK310 ; HE2310	<b>C310</b> C310 C310 C310	<b>3.3</b> 7.3
50 1 7/8 1 15/16 2	<b>UKC311 ; H2311</b> UKC311 ; HS2311 UKC311 ; HA2311 UKC311 ; HE2311	<b>150</b> 5.9055	<b>44</b> 1 47/64	<b>3.5</b> 0.138	<b>59</b> 2.323	<b>UK311 ; H2311</b> UK311 ; HS2311 UK311 ; HA2311 UK311 ; HE2311	<b>C311</b> C311 C311 C311	<b>6.4</b> 8.6
55 2 1/8	<b>UKC312 ; H2312</b> UKC312 ; HS2312	<b>160</b> 6.2992	<b>46</b> 1 13/16	<b>3.5</b> 0.138	<b>62</b> 2.441	<b>UK312 ; H2312</b> UK312 ; HS2312	<b>C312</b> C312	<b>4.7</b> 10
60 2 3/16 2 1/4 2 3/8	<b>UKC313 ; H2313</b> UKC313 ; HA2313 UKC313 ; HE2313 UKC313 ; HS2313	<b>170</b> 6.6929	<b>50</b> 1 31/32	<b>3.5</b> 0.138	<b>65</b> 2.559	<b>UK313 ; H2313</b> UK313 ; HA2313 UK313 ; HE2313 UK313 ; HS2313	<b>C313</b> C313 C313 C313	<b>5.6</b> 12
65 2 7/16 2 1/2	<b>UKC315 ; H2315</b> UKC315 ; HA2315 UKC315 ; HE2315	<b>190</b> 7.4803	<b>55</b> 2 11/16	<b>4</b> 0.157	<b>73</b> 2.874	<b>UK315 ; H2315</b> UK315 ; HA2315 UK315 ; HE2315	<b>C315</b> C315 C315	<b>7.9</b> 17

# Cylindrical Unit Cast Housing (Round)



■ Adapter Type - UKC 300 Series

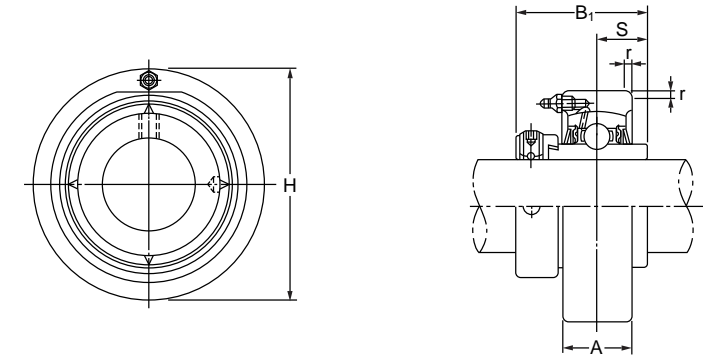


Shaft Dia.	Unit Number	Basic Dimensions				Bearing Number	Housing Number	Mass
		H	A	r	B <sub>1</sub>			
70 2 11/16 2 3/4	<b>UKC316 ; H2316</b> UKC316 ; HA2316 UKC316 ; HE2316	<b>200</b> 7.8740	<b>60</b> 2 23/64	<b>4</b> 0.157	<b>78</b> 3.071	<b>UK316 ; H2316</b> UK316 ; HA2316 UK316 ; HE2316	<b>C316</b> C316 C316	<b>9.2</b> 20
75 2 15/16 3	<b>UKC317 ; H2317</b> UKC317 ; HA2317 UKC317 ; HE2317	<b>215</b> 8.4646	<b>64</b> 2 33/64	<b>4</b> 0.157	<b>82</b> 3.228	<b>UK317 ; H2317</b> UK317 ; HA2317 UK317 ; HE2317	<b>C317</b> C317 C317	<b>11</b> 24
80 3 3/16	<b>UKC318 ; H2318</b> UKC318 ; HA2318	<b>225</b> 8.8583	<b>66</b> 2 19/32	<b>4</b> 0.157	<b>86</b> 3.386	<b>UK318 ; H2318</b> UK318 ; HA2318	<b>C318</b> C318	<b>13</b> 29
85 3 1/4	<b>UKC319 ; H2319</b> UKC319 ; HE2319	<b>240</b> 9.4488	<b>72</b> 2 53/64	<b>4</b> 0.157	<b>90</b> 3.543	<b>UK319 ; H2319</b> UK319 ; HE2319	<b>C319</b> C319	<b>16</b> 35
90 3 7/16 3 1/2	<b>UKC320 ; H2320</b> UKC320 ; HA2320 UKC320 ; HE2320	<b>260</b> 10.2362	<b>75</b> 2 61/64	<b>4</b> 0.157	<b>97</b> 3.819	<b>UK320 ; H2320</b> UK320 ; HA2320 UK320 ; HE2320	<b>C320</b> C320 C320	<b>20</b> 44
100	<b>UKC322 ; H2322</b>	<b>300</b>	<b>80</b>	<b>5</b>	<b>105</b>	<b>UK322 ; H2322</b>	<b>C322</b>	<b>29</b>
110	<b>UKC324 ; H2324</b>	<b>320</b>	<b>90</b>	<b>5</b>	<b>112</b>	<b>UK324 ; H2324</b>	<b>C324</b>	<b>35</b>
115	<b>UKC326 ; H2326</b>	<b>340</b>	<b>100</b>	<b>5</b>	<b>121</b>	<b>UK326 ; H2326</b>	<b>C326</b>	<b>43</b>
125	<b>UKC328 ; H2328</b>	<b>360</b>	<b>100</b>	<b>5</b>	<b>131</b>	<b>UK328 ; H2328</b>	<b>C328</b>	<b>49</b>



# Cylindrical Unit Cast Housing (Round)

■ Eccentric Locking Collar Type - UELC 200 Series

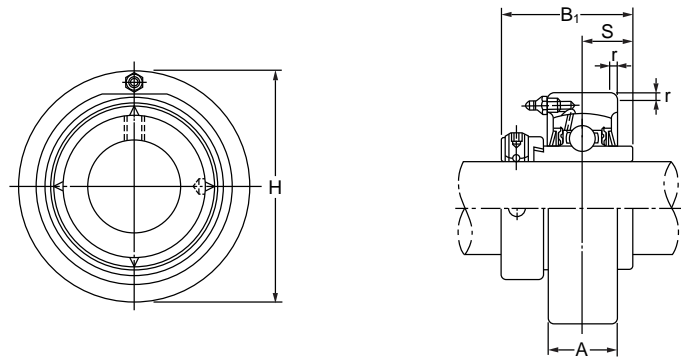


Shaft Dia.	Unit Number	Basic Dimensions					Bearing Number	Housing Number	Mass
		H	A	r	B <sub>1</sub>	S			
20 3/4	<b>UELC204</b> UELC204-012	<b>72</b> 2.8346	<b>20</b> 25/32	<b>2</b> 0.079	<b>43.7</b> 1.720	<b>17.1</b> 0.673	<b>UEL204</b> UEL204-012	<b>C204</b> C204	<b>0.6</b> 1.3
25 13/16 7/8 15/16 1	<b>UELC205</b> UELC205-013 UELC205-014 UELC205-015 UELC205-100	<b>80</b> 3.1496	<b>22</b> 55/64	<b>2</b> 0.079	<b>44.4</b> 1.748	<b>17.5</b> 0.689	<b>UEL205</b> UEL205-013 UEL205-014 UEL205-015 UEL205-100	<b>C205</b> C205 C205 C205	<b>0.8</b> 1.8
30 1 1/16 1 1/8 1 3/16 1 1/4	<b>UELC206</b> UELC206-101 UELC206-102 UELC206-103 UELC206-104	<b>85</b> 3.3465	<b>27</b> 1 1/16	<b>2</b> 0.079	<b>48.4</b> 1.906	<b>18.3</b> 0.720	<b>UEL206</b> UEL206-101 UEL206-102 UEL206-103 UEL206-104	<b>C206</b> C206 C206 C206	<b>1.0</b> 2.2
35 1 1/4 1 5/16 1 3/8 1 7/16	<b>UELC207</b> UELC207-104 UELC207-105 UELC207-106 UELC207-107	<b>90</b> 3.5433	<b>28</b> 1 7/64	<b>2</b> 0.079	<b>51.1</b> 2.012	<b>18.8</b> 0.740	<b>UEL207</b> UEL207-104 UEL207-105 UEL207-106 UEL207-107	<b>C207</b> C207 C207 C207	<b>1.1</b> 2.4
40 1 1/2 1 9/16	<b>UELC208</b> UELC208-108 UELC208-109	<b>100</b> 3.9370	<b>30</b> 1 3/16	<b>2.5</b> 0.098	<b>56.3</b> 2.217	<b>21.4</b> 0.843	<b>UEL208</b> UEL208-108 UEL208-109	<b>C208</b> C208 C208	<b>1.4</b> 3.1
45 1 5/8 1 11/16 1 3/4	<b>UELC209</b> UELC209-110 UELC209-111 UELC209-112	<b>110</b> 4.3307	<b>31</b> 1 7/32	<b>2.5</b> 0.098	<b>56.3</b> 2.217	<b>21.4</b> 0.843	<b>UEL209</b> UEL209-110 UEL209-111 UEL209-112	<b>C209</b> C209 C209 C209	<b>1.7</b> 3.7
50 1 13/16 1 7/8 1 15/16 2	<b>UELC210</b> UELC210-113 UELC210-114 UELC210-115 UELC210-200	<b>120</b> 4.7244	<b>33</b> 1 19/64	<b>2.5</b> 0.098	<b>62.7</b> 2.469	<b>24.6</b> 0.969	<b>UEL210</b> UEL210-113 UEL210-114 UEL210-115 UEL210-200	<b>C210</b> C210 C210 C210	<b>2.1</b> 4.6

# Cylindrical Unit Cast Housing (Round)



■ Eccentric Locking Collar Type - UELC 200 Series

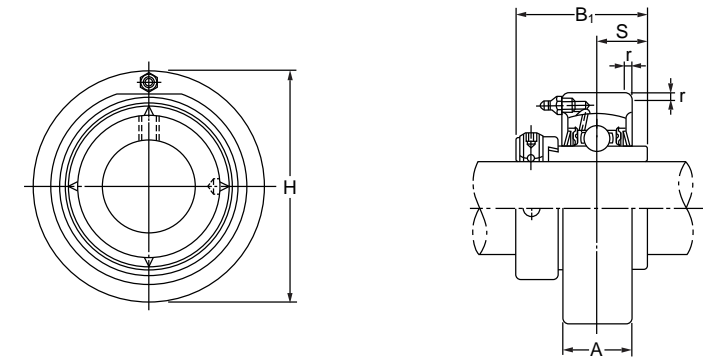


Shaft Dia.	Unit Number	Basic Dimensions					Bearing Number	Housing Number	Mass
		H	A	r	B <sub>1</sub>	S			
55	<b>UEL211</b>	<b>125</b>	<b>35</b>	<b>2.5</b>	<b>71.4</b>	<b>27.8</b>	<b>UEL211</b>	<b>C211</b>	<b>2.4</b>
2	UEL211-200						UEL211-200	C211	
2 1/16	UEL211-201	4.9213	1 3/8	0.098	2.811	1.094	UEL211-201	C211	5.3
2 1/8	UEL211-202						UEL211-202	C211	
2 3/16	UEL211-203						UEL211-203	C211	
60	<b>UEL212</b>	<b>130</b>	<b>38</b>	<b>2.5</b>	<b>77.8</b>	<b>31</b>	<b>UEL212</b>	<b>C212</b>	<b>2.9</b>
2 1/4	UEL212-204						UEL212-204	C212	
2 5/16	UEL212-205	5.1181	1 1/2	0.098	3.063	1.220	UEL212-205	C212	6.4
2 3/8	UEL212-206						UEL212-206	C212	
2 7/16	UEL212-207						UEL212-207	C212	



# Cylindrical Unit Cast Housing (Round)

■ Eccentric Locking Collar Type - UELC 300 Series

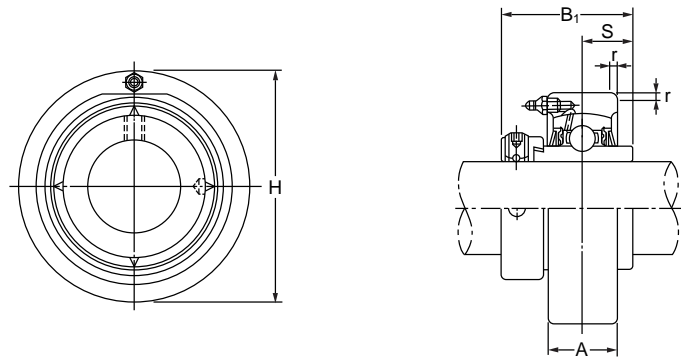


Shaft Dia.	Unit Number	Basic Dimensions					Bearing Number	Housing Number	Mass
		H	A	r	B <sub>1</sub>	S			
25	<b>UEL305</b>	<b>90</b>	<b>26</b>	<b>2.5</b>	<b>46.8</b>	<b>16.7</b>	<b>UEL305</b>	<b>C305</b>	<b>1.1</b>
13/16	UEL305-013						UEL305-013	C305	
7/8	UEL305-014	3.5433	1 1/32	0.098	1.843	0.657	UEL305-014	C305	2.4
15/16	UEL305-015						UEL305-015	C305	
1	UEL305-100						UEL305-100	C305	
30	<b>UEL306</b>	<b>100</b>	<b>28</b>	<b>2.5</b>	<b>50</b>	<b>17.5</b>	<b>UEL306</b>	<b>C306</b>	<b>1.5</b>
1 1/16	UEL306-101						UEL306-101	C306	
1 1/8	UEL306-102	3.9370	1 7/64	0.098	1.969	0.689	UEL306-102	C306	3.3
1 3/16	UEL306-103						UEL306-103	C306	
35	<b>UEL307</b>	<b>110</b>	<b>32</b>	<b>3</b>	<b>51.6</b>	<b>18.3</b>	<b>UEL307</b>	<b>C307</b>	<b>1.8</b>
1 1/4	UEL307-104						UEL307-104	C307	
1 5/16	UEL307-105	4.3307	1 17/64	0.118	2.031	0.720	UEL307-105	C307	4.0
1 3/8	UEL307-106						UEL307-106	C307	
1 7/16	UEL307-107						UEL307-107	C307	
40	<b>UEL308</b>	<b>120</b>	<b>34</b>	<b>3</b>	<b>57.1</b>	<b>19.8</b>	<b>UEL308</b>	<b>C308</b>	<b>2.3</b>
1 1/2	UEL308-108	4.7244	1 11/32	0.118	2.248	0.780	UEL308-108	C308	5.1
1 9/16	UEL308-109						UEL308-109	C308	
45	<b>UEL309</b>	<b>130</b>	<b>38</b>	<b>3.5</b>	<b>58.7</b>	<b>19.8</b>	<b>UEL309</b>	<b>C309</b>	<b>2.9</b>
1 5/8	UEL309-110						UEL309-110	C309	
1 11/16	UEL309-111	5.1181	1 1/2	0.138	2.311	0.780	UEL309-111	C309	6.4
1 3/4	UEL309-112						UEL309-112	C309	
50	<b>UEL310</b>	<b>140</b>	<b>40</b>	<b>3.5</b>	<b>66.6</b>	<b>24.6</b>	<b>UEL310</b>	<b>C310</b>	<b>3.5</b>
1 13/16	UEL310-113						UEL310-113	C310	
1 7/8	UEL310-114	5.5118	1 37/64	0.138	2.622	0.969	UEL310-114	C310	7.7
1 15/16	UEL310-115						UEL310-115	C310	
55	<b>UEL311</b>	<b>150</b>	<b>44</b>	<b>3.5</b>	<b>73</b>	<b>27.8</b>	<b>UEL311</b>	<b>C311</b>	<b>4.2</b>
2	UEL311-200						UEL311-200	C311	
2 1/16	UEL311-201	5.9055	1 47/64	0.138	2.874	1.094	UEL311-201	C311	9.3
2 1/8	UEL311-202						UEL311-202	C311	
2 3/16	UEL311-203						UEL311-203	C311	

# Cylindrical Unit Cast Housing (Round)



■ Eccentric Locking Collar Type - UELC 300 Series

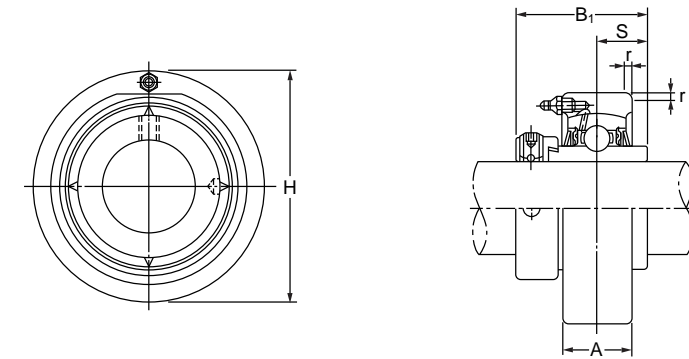


Shaft Dia.	Unit Number	Basic Dimensions					Bearing Number	Housing Number	Mass
		H	A	r	B <sub>1</sub>	S			
60	<b>UEL312</b>	<b>160</b>	<b>46</b>	<b>3.5</b>	<b>79.4</b>	<b>30.95</b>	<b>UEL312</b>	<b>C312</b>	<b>5.1</b>
2 1/4	UEL312-204						UEL312-204	C312	
2 5/16	UEL312-205	6.2992	1 13/16	0.138	3.126	1.219	UEL312-205	C312	11
2 3/8	UEL312-206						UEL312-206	C312	
2 7/16	UEL312-207						UEL312-207	C312	
65	<b>UEL313</b>	<b>170</b>	<b>50</b>	<b>3.5</b>	<b>85.7</b>	<b>32.55</b>	<b>UEL313</b>	<b>C313</b>	<b>6.2</b>
2 1/2	UEL313-208	6.6929	1 31/32	0.138	3.374	1.281	UEL313-208	C313	14
2 9/16	UEL313-209						UEL313-209	C313	
70	<b>UEL314</b>	<b>180</b>	<b>52</b>	<b>4</b>	<b>92.1</b>	<b>34.15</b>	<b>UEL314</b>	<b>C314</b>	<b>7.2</b>
2 5/8	UEL314-210						UEL314-210	C314	
2 11/16	UEL314-211	7.0866	2 3/64	0.157	3.626	1.344	UEL314-211	C314	16
2 3/4	UEL314-212						UEL314-212	C314	
75	<b>UEL315</b>	<b>190</b>	<b>55</b>	<b>4</b>	<b>100</b>	<b>37.3</b>	<b>UEL315</b>	<b>C315</b>	<b>8.4</b>
2 13/16	UEL315-213						UEL315-213	C315	
2 7/8	UEL315-214	7.4803	2 11/64	0.157	3.937	1.469	UEL315-214	C315	19
2 15/16	UEL315-215						UEL315-215	C315	
3	UEL315-300						UEL315-300	C315	
80	<b>UEL316</b>	<b>200</b>	<b>60</b>	<b>4</b>	<b>106.4</b>	<b>40.5</b>	<b>UEL316</b>	<b>C316</b>	<b>10</b>
3 1/16	UEL316-301						UEL316-301	C316	
3 1/8	UEL316-302	7.8740	2 23/64	0.157	4.189	1.594	UEL316-302	C316	22
3 3/16	UEL316-303						UEL316-303	C316	
85	<b>UEL317</b>	<b>215</b>	<b>64</b>	<b>4</b>	<b>109.5</b>	<b>42.05</b>	<b>UEL317</b>	<b>C317</b>	<b>13</b>
3 1/4	UEL317-304						UEL317-304	C317	
3 5/16	UEL317-305	8.4646	2 33/64	0.157	4.311	1.656	UEL317-305	C317	29
3 7/16	UEL317-307						UEL317-307	C317	
90	<b>UEL318</b>	<b>225</b>	<b>66</b>	<b>4</b>	<b>115.9</b>	<b>43.65</b>	<b>UEL318</b>	<b>C318</b>	<b>14</b>
3 7/16	UEL318-307						UEL318-307	C318	
3 1/2	UEL318-308	8.8583	2 19/32	0.157	4.563	1.719	UEL318-308	C318	31
95	<b>UEL319</b>	<b>240</b>	<b>72</b>	<b>4</b>	<b>122.3</b>	<b>38.9</b>	<b>UEL319</b>	<b>C319</b>	<b>17</b>
3 5/8	UEL319-310						UEL319-310	C319	
3 11/16	UEL319-311	9.4488	2 53/64	0.157	4.815	1.531	UEL319-311	C319	37
3 3/4	UEL319-312						UEL319-312	C319	

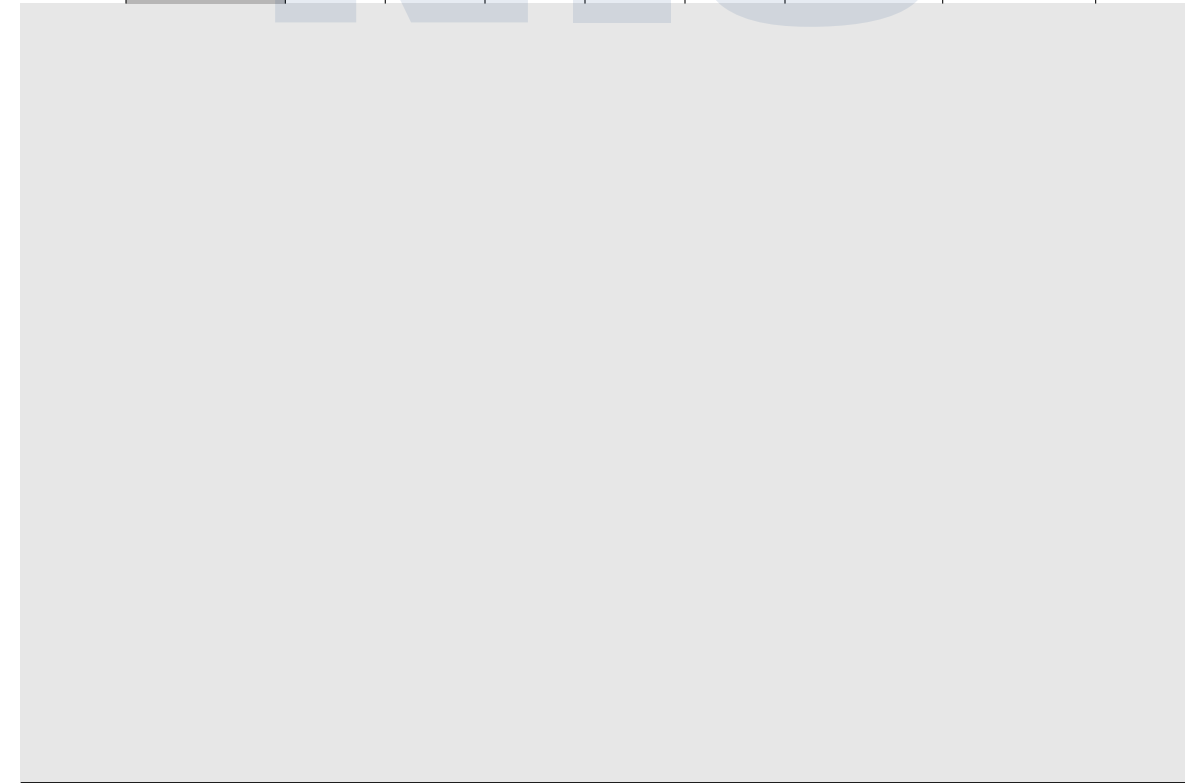


# Cylindrical Unit Cast Housing (Round)

■ Eccentric Locking Collar Type - UELC 300 Series



Shaft Dia.	Unit Number	Basic Dimensions					Bearing Number	Housing Number	Mass
		H	A	r	B <sub>1</sub>	S			
100	<b>UEL320</b>	<b>260</b>	<b>75</b>	<b>4</b>	<b>128.6</b>	<b>50</b>	<b>UEL320</b>	<b>C320</b>	<b>21</b>
3 13/16	UEL320-313						UEL320-313	C320	
3 7/8	UEL320-314	10.2362	2 61/64	0.157	5.063	1.969	UEL320-314	C320	46
3 15/16	UEL320-315						UEL320-315	C320	
4	UEL320-400						UEL320-400	C320	
105	<b>UEL321</b>	<b>260</b>	<b>75</b>	<b>4</b>	<b>139.7</b>	<b>48.4</b>	<b>UEL321</b>	<b>C321</b>	<b>22</b>
110	<b>UEL322</b>	<b>300</b>	<b>80</b>	<b>5</b>	<b>141.3</b>	<b>49.2</b>	<b>UEL322</b>	<b>C322</b>	<b>31</b>



5.08

5.08

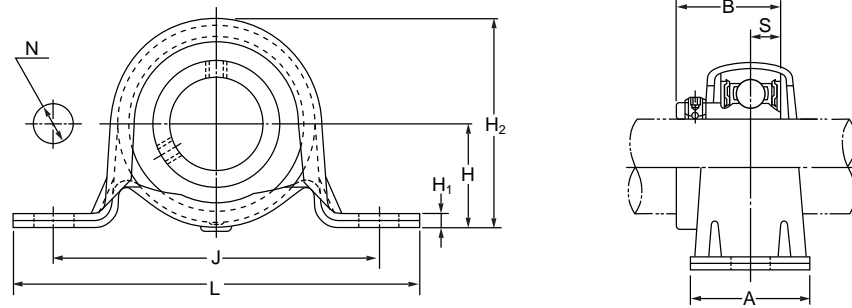




# Pillow Block Pressed Steel Housing

	Page
6.01 Set Screw Type - ASPP 200 Series	241
6.02 Set Screw Type with Rubber Ring - ASRPP 200 Series	243
6.03 Eccentric Locking Collar Type - AELPP 200 Series	245
6.04 Eccentric Locking Collar with Rubber Ring - AELRPP 200 Series	247

■ Set Screw Type - ASPP 200 Series



Shaft Dia.	Unit Number	Basic Dimensions									
		mm					inch				
mm inch		H	L	J	A	N	H <sub>1</sub>	H <sub>2</sub>	B	S	
<b>12</b>	<b>ASPP201</b>	<b>22.2</b>	<b>86</b>	<b>68</b>	<b>25</b>	<b>9.5</b>	<b>3.2</b>	<b>43.8</b>	<b>22</b>	<b>6</b>	
1/2	ASPP201-008	7/8	3 3/8	2 11/16	31/32	3/8	0.126	1 23/32	0.8661	0.236	
<b>15</b>	<b>ASPP202</b>	<b>22.2</b>	<b>86</b>	<b>68</b>	<b>25</b>	<b>9.5</b>	<b>3.2</b>	<b>43.8</b>	<b>22</b>	<b>6</b>	
9/16	ASPP202-009	7/8	3 3/8	2 11/16	31/32	3/8	0.126	1 23/32	0.8661	0.236	
5/8	ASPP202-010	7/8	3 3/8	2 11/16	31/32	3/8	0.126	1 23/32	0.8661	0.236	
<b>17</b>	<b>ASPP203</b>	<b>22.2</b>	<b>86</b>	<b>68</b>	<b>25</b>	<b>9.5</b>	<b>3.2</b>	<b>43.8</b>	<b>22</b>	<b>6</b>	
11/16	ASPP203-011	7/8	3 3/8	2 11/16	31/32	3/8	0.126	1 23/32	0.8661	0.236	
<b>20</b>	<b>ASPP204</b>	<b>25.4</b>	<b>98</b>	<b>76</b>	<b>32</b>	<b>9.5</b>	<b>3.2</b>	<b>50.5</b>	<b>25</b>	<b>7</b>	
3/4	ASPP204-012	1	3 27/32	3	1 1/4	3/8	0.126	2	0.9843	0.276	
<b>25</b>	<b>ASPP205</b>	<b>28.6</b>	<b>108</b>	<b>86</b>	<b>32</b>	<b>11.5</b>	<b>4</b>	<b>56.6</b>	<b>27</b>	<b>7.5</b>	
13/16	ASPP205-013										
7/8	ASPP205-014	1 1/8	4 1/4	3 3/8	1 1/4	29/64	0.157	2 7/32	1.0630	0.295	
15/16	ASPP205-015										
1	ASPP205-100										
<b>30</b>	<b>ASPP206</b>	<b>33.3</b>	<b>117</b>	<b>95</b>	<b>38</b>	<b>11.5</b>	<b>4</b>	<b>66.3</b>	<b>29</b>	<b>8</b>	
1 1/16	ASPP206-101										
1 1/8	ASPP206-102	1 5/16	4 19/32	3 3/4	1 1/2	29/64	0.157	2 5/8	1.1417	0.315	
1 3/16	ASPP206-103										
1 1/4	ASPP206-104										
<b>35</b>	<b>ASPP207</b>	<b>39.7</b>	<b>129</b>	<b>106</b>	<b>42</b>	<b>11.5</b>	<b>4.6</b>	<b>78</b>	<b>34</b>	<b>8.5</b>	
1 1/4	ASPP207-104										
1 5/16	ASPP207-105	1 9/16	5 3/32	4 3/16	1 21/32	29/64	0.181	3 1/16	1.3386	0.335	
1 3/8	ASPP207-106										
1 7/16	ASPP207-107										

Bolt Size	Bearing Number	Housing Number	Mass
mm inch			kg/lbs
<b>M8</b>	<b>AS201</b>	<b>PP203</b>	<b>0.2</b>
5/16	AS201-008	PP203	0.4
<b>M8</b>	<b>AS202</b>	<b>PP203</b>	<b>0.1</b>
5/16	AS202-009	PP203	0.2
	AS202-010	PP203	
<b>M8</b>	<b>AS203</b>	<b>PP203</b>	<b>0.1</b>
5/16	AS203-011	PP203	0.2
<b>M8</b>	<b>AS204</b>	<b>PP204</b>	<b>0.2</b>
5/16	AS204-012	PP204	0.4
<b>M10</b>	<b>AS205</b>	<b>PP205</b>	<b>0.3</b>
	AS205-013	PP205	
3/8	AS205-014	PP205	0.7
	AS205-015	PP205	
	AS205-100	PP205	
<b>M10</b>	<b>AS206</b>	<b>PP206</b>	<b>0.4</b>
3/8	AS206-101	PP206	0.9
	AS206-102	PP206	
	AS206-103	PP206	
	AS206-104	PP206	
<b>M10</b>	<b>AS207</b>	<b>PP207</b>	<b>0.6</b>
	AS207-104	PP207	
3/8	AS207-105	PP207	1.3
	AS207-106	PP207	
	AS207-107	PP207	

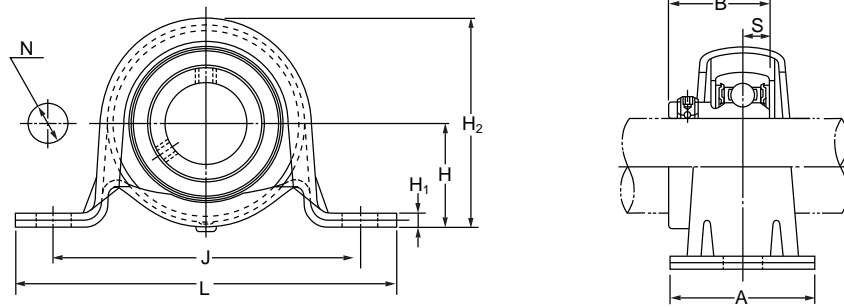


6.01

6.01



■ Set Screw Type with Rubber Ring - ASRPP 200 Series

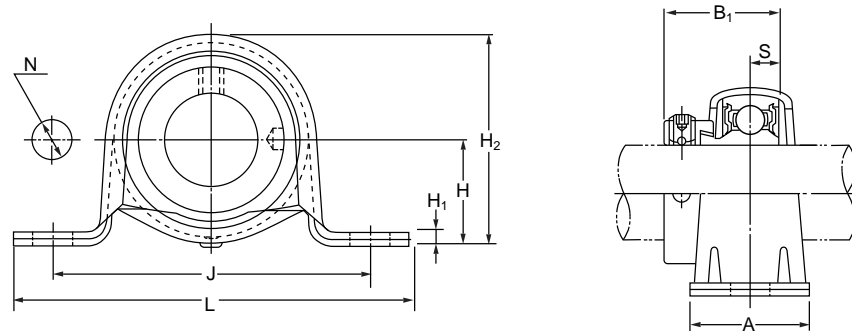


Shaft Dia.	Unit Number	Basic Dimensions									
		mm					inch				
mm inch		H	L	J	A	N	H <sub>1</sub>	H <sub>2</sub>	B	S	
<b>12</b>	<b>ASRPP201</b>	<b>25.4</b>	<b>98</b>	<b>76</b>	<b>32</b>	<b>9.5</b>	<b>3.2</b>	<b>50.5</b>	<b>22</b>	<b>6</b>	
1/2	ASRPP201-008	1	3 27/32	3	1 1/4	3/8	0.126	2	0.8661	0.236	
<b>15</b>	<b>ASRPP202</b>	<b>25.4</b>	<b>98</b>	<b>76</b>	<b>32</b>	<b>9.5</b>	<b>3.2</b>	<b>50.5</b>	<b>22</b>	<b>6</b>	
9/16	ASRPP202-009	1	3 27/32	3	1 1/4	3/8	0.126	2	0.8661	0.236	
5/8	ASRPP202-010	1	3 27/32	3	1 1/4	3/8	0.126	2	0.8661	0.236	
<b>17</b>	<b>ASRPP203</b>	<b>25.4</b>	<b>98</b>	<b>76</b>	<b>32</b>	<b>9.5</b>	<b>3.2</b>	<b>50.5</b>	<b>22</b>	<b>6</b>	
11/16	ASRPP203-011	1	3 27/32	3	1 1/4	3/8	0.126	2	0.8661	0.236	
<b>20</b>	<b>ASRPP204</b>	<b>28.6</b>	<b>108</b>	<b>86</b>	<b>32</b>	<b>11.5</b>	<b>4</b>	<b>56.6</b>	<b>25</b>	<b>7</b>	
3/4	ASPP204-012	1 1/8	4 1/4	3 3/8	1 1/4	29/64	0.157	2 7/32	0.9843	0.276	
<b>25</b>	<b>ASRPP205</b>	<b>33.3</b>	<b>117</b>	<b>95</b>	<b>38</b>	<b>11.5</b>	<b>4</b>	<b>66.3</b>	<b>27</b>	<b>7.5</b>	
13/16	ASRPP205-013	1 5/16	4 19/32	3 3/4	1 1/2	29/64	0.157	2 5/8	1.0630	0.295	
7/8	ASRPP205-014	1 5/16	4 19/32	3 3/4	1 1/2	29/64	0.157	2 5/8	1.0630	0.295	
15/16	ASRPP205-015	1 5/16	4 19/32	3 3/4	1 1/2	29/64	0.157	2 5/8	1.0630	0.295	
1	ASRPP205-100	1 5/16	4 19/32	3 3/4	1 1/2	29/64	0.157	2 5/8	1.0630	0.295	
<b>30</b>	<b>ASRPP206</b>	<b>39.7</b>	<b>129</b>	<b>106</b>	<b>42</b>	<b>11.5</b>	<b>4.6</b>	<b>78</b>	<b>29</b>	<b>8</b>	
1 1/16	ASRPP206-101	1 9/16	5 3/32	4 3/16	1 21/32	29/64	0.181	3 1/16	1.1417	0.315	
1 1/8	ASRPP206-102	1 9/16	5 3/32	4 3/16	1 21/32	29/64	0.181	3 1/16	1.1417	0.315	
1 3/16	ASRPP206-103	1 9/16	5 3/32	4 3/16	1 21/32	29/64	0.181	3 1/16	1.1417	0.315	
1 1/4	ASRPP206-104	1 9/16	5 3/32	4 3/16	1 21/32	29/64	0.181	3 1/16	1.1417	0.315	

Bolt Size	Bearing Number	Housing Number	Mass
mm inch			kg/lbs
<b>M8</b>	<b>AS201</b>	<b>PP204</b>	<b>0.2</b>
5/16	AS201-008	PP204	0.4
<b>M8</b>	<b>AS202</b>	<b>PP204</b>	<b>0.2</b>
5/16	AS202-009	PP204	0.4
	AS202-010	PP204	0.4
<b>M8</b>	<b>AS203</b>	<b>PP204</b>	<b>0.2</b>
5/16	AS203-011	PP204	0.4
<b>M10</b>	<b>AS204</b>	<b>PP205</b>	<b>0.3</b>
3/8	AS204-012	PP205	0.7
<b>M10</b>	<b>AS205</b>	<b>PP206</b>	<b>0.4</b>
	AS205-013	PP206	0.9
3/8	AS205-014	PP206	0.9
	AS205-015	PP206	0.9
	AS205-100	PP206	0.9
<b>M10</b>	<b>AS206</b>	<b>PP207</b>	<b>0.5</b>
3/8	AS206-101	PP207	1.1
	AS206-102	PP207	1.1
	AS206-103	PP207	1.1
	AS206-104	PP207	1.1



■ Eccentric Locking Collar Type - AELPP 200 Series

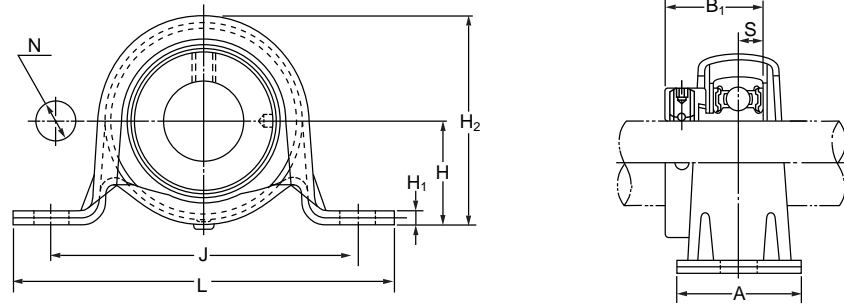


Shaft Dia.	Unit Number	Basic Dimensions									
		mm					inch				
mm inch		H	L	J	A	N	H <sub>1</sub>	H <sub>2</sub>	B <sub>1</sub>	S	
<b>12</b>	<b>AELPP201</b>	<b>22.2</b>	<b>86</b>	<b>68</b>	<b>25</b>	<b>9.5</b>	<b>3.2</b>	<b>43.8</b>	<b>28.6</b>	<b>6.5</b>	
1/2	AELPP201-008	7/8	3 3/8	2 11/16	31/32	3/8	0.126	1 23/32	1.126	0.256	
<b>15</b>	<b>AELPP202</b>	<b>22.2</b>	<b>86</b>	<b>68</b>	<b>25</b>	<b>9.5</b>	<b>3.2</b>	<b>43.8</b>	<b>28.6</b>	<b>6.5</b>	
9/16	AELPP202-009	7/8	3 3/8	2 11/16	31/32	3/8	0.126	1 23/32	1.126	0.256	
5/8	AELPP202-010	7/8	3 3/8	2 11/16	31/32	3/8	0.126	1 23/32	1.126	0.256	
<b>17</b>	<b>AELPP203</b>	<b>22.2</b>	<b>86</b>	<b>68</b>	<b>25</b>	<b>9.5</b>	<b>3.2</b>	<b>43.8</b>	<b>28.6</b>	<b>6.5</b>	
11/16	AELPP203-011	7/8	3 3/8	2 11/16	31/32	3/8	0.126	1 23/32	1.126	0.256	
<b>20</b>	<b>AELPP204</b>	<b>25.4</b>	<b>98</b>	<b>76</b>	<b>32</b>	<b>9.5</b>	<b>3.2</b>	<b>50.5</b>	<b>31</b>	<b>7.5</b>	
3/4	AELPP204-012	1	3 27/32	3	1 1/4	3/8	0.126	2	1.220	0.295	
<b>25</b>	<b>AELPP205</b>	<b>28.6</b>	<b>108</b>	<b>86</b>	<b>32</b>	<b>11.5</b>	<b>4</b>	<b>56.6</b>	<b>31</b>	<b>7.5</b>	
13/16	AELPP205-013										
7/8	AELPP205-014	1 1/8	4 1/4	3 3/8	1 1/4	29/64	0.157	2 7/32	1.220	0.295	
15/16	AELPP205-015										
1	AELPP205-100										
<b>30</b>	<b>AELPP206</b>	<b>33.3</b>	<b>117</b>	<b>95</b>	<b>38</b>	<b>11.5</b>	<b>4</b>	<b>66.3</b>	<b>35.7</b>	<b>9</b>	
1 1/16	AELPP206-101										
1 1/8	AELPP206-102	1 5/16	4 19/32	3 3/4	1 1/2	29/64	0.157	2 5/8	1.406	0.354	
1 3/16	AELPP206-103										
1 1/4	AELPP206-104										
<b>35</b>	<b>AELPP207</b>	<b>39.7</b>	<b>129</b>	<b>106</b>	<b>42</b>	<b>11.5</b>	<b>4.6</b>	<b>78</b>	<b>38.9</b>	<b>9.5</b>	
1 1/4	AELPP207-104										
1 5/16	AELPP207-105	1 9/16	5 3/32	4 3/16	1 21/32	29/64	0.181	3 1/16	1.531	0.374	
1 3/8	AELPP207-106										
1 7/16	AELPP207-107										

Bolt Size	Bearing Number	Housing Number	Mass
mm inch			kg/lbs
<b>M8</b>	<b>AEL201</b>	<b>PP203</b>	<b>0.2</b>
5/16	AEL201-008	PP203	0.4
<b>M8</b>	<b>AEL202</b>	<b>PP203</b>	<b>0.2</b>
5/16	AEL202-009	PP203	0.4
	AEL202-010	PP203	0.4
<b>M8</b>	<b>AEL203</b>	<b>PP203</b>	<b>0.2</b>
5/16	AEL203-011	PP203	0.4
<b>M8</b>	<b>AEL204</b>	<b>PP204</b>	<b>0.2</b>
5/16	AEL204-012	PP204	0.4
<b>M10</b>	<b>AEL205</b>	<b>PP205</b>	<b>0.3</b>
	AEL205-013	PP205	
3/8	AEL205-014	PP205	0.7
	AEL205-015	PP205	
	AEL205-100	PP205	
<b>M10</b>	<b>AEL206</b>	<b>PP206</b>	<b>0.5</b>
3/8	AEL206-101	PP206	
	AEL206-102	PP206	1.1
	AEL206-103	PP206	
	AEL206-104	PP206	
<b>M10</b>	<b>AEL207</b>	<b>PP207</b>	<b>0.7</b>
	AEL207-104	PP207	
3/8	AEL207-105	PP207	1.5
	AEL207-106	PP207	
	AEL207-107	PP207	



■ Eccentric Locking Collar with Rubber Ring - AELRPP 200 Series



Shaft Dia.	Unit Number	Basic Dimensions									
		mm		inch							
mm inch		H	L	J	A	N	H <sub>1</sub>	H <sub>2</sub>	B <sub>1</sub>	S	
<b>12</b>	<b>AELRPP201</b>	<b>25.4</b>	<b>98</b>	<b>76</b>	<b>32</b>	<b>9.5</b>	<b>3.2</b>	<b>50.5</b>	<b>28.6</b>	<b>6.5</b>	
1/2	AELRPP201-008	1	3 27/32	3	1 1/4	3/8	0.126	2	1.126	0.256	
<b>15</b>	<b>AELRPP202</b>	<b>25.4</b>	<b>98</b>	<b>76</b>	<b>32</b>	<b>9.5</b>	<b>3.2</b>	<b>50.5</b>	<b>28.6</b>	<b>6.5</b>	
9/16	AELRPP202-009	1	3 27/32	3	1 1/4	3/8	0.126	2	1.126	0.256	
5/8	AELRPP202-010	1	3 27/32	3	1 1/4	3/8	0.126	2	1.126	0.256	
<b>17</b>	<b>AELRPP203</b>	<b>25.4</b>	<b>98</b>	<b>76</b>	<b>32</b>	<b>9.5</b>	<b>3.2</b>	<b>50.5</b>	<b>28.6</b>	<b>6.5</b>	
11/16	AELRPP203-011	1	3 27/32	3	1 1/4	3/8	0.126	2	1.126	0.256	
<b>20</b>	<b>AELRPP204</b>	<b>28.6</b>	<b>108</b>	<b>86</b>	<b>32</b>	<b>11.5</b>	<b>4</b>	<b>56.6</b>	<b>31</b>	<b>7.5</b>	
3/4	AELPP204-012	1 1/8	4 1/4	3 3/8	1 1/4	29/64	0.157	2 7/32	1.220	0.295	
<b>25</b>	<b>AELRPP205</b>	<b>33.3</b>	<b>117</b>	<b>95</b>	<b>38</b>	<b>11.5</b>	<b>4</b>	<b>66.3</b>	<b>31</b>	<b>7.5</b>	
13/16	AELRPP205-013	1 5/16	4 19/32	3 3/4	1 1/2	29/64	0.157	2 5/8	1.220	0.295	
7/8	AELRPP205-014	1 5/16	4 19/32	3 3/4	1 1/2	29/64	0.157	2 5/8	1.220	0.295	
15/16	AELRPP205-015	1 5/16	4 19/32	3 3/4	1 1/2	29/64	0.157	2 5/8	1.220	0.295	
1	AELRPP205-100	1 5/16	4 19/32	3 3/4	1 1/2	29/64	0.157	2 5/8	1.220	0.295	
<b>30</b>	<b>AELRPP206</b>	<b>39.7</b>	<b>129</b>	<b>106</b>	<b>42</b>	<b>11.5</b>	<b>4.6</b>	<b>78</b>	<b>35.7</b>	<b>9</b>	
1 1/16	AELRPP206-101	1 9/16	5 3/32	4 3/16	1 21/32	29/64	0.181	3 1/16	1.406	0.354	
1 1/8	AELRPP206-102	1 9/16	5 3/32	4 3/16	1 21/32	29/64	0.181	3 1/16	1.406	0.354	
1 3/16	AELRPP206-103	1 9/16	5 3/32	4 3/16	1 21/32	29/64	0.181	3 1/16	1.406	0.354	
1 1/4	AELRPP206-104	1 9/16	5 3/32	4 3/16	1 21/32	29/64	0.181	3 1/16	1.406	0.354	

Bolt Size	Bearing Number	Housing Number	Mass
mm inch			kg/lbs
<b>M8</b>	<b>AEL201</b>	<b>PP204</b>	<b>0.2</b>
5/16	AEL201-008	PP204	0.4
<b>M8</b>	<b>AEL202</b>	<b>PP204</b>	<b>0.2</b>
5/16	AEL202-009	PP204	0.4
	AEL202-010	PP204	0.4
<b>M8</b>	<b>AEL203</b>	<b>PP204</b>	<b>0.2</b>
5/16	AEL203-011	PP204	0.4
<b>M10</b>	<b>AEL204</b>	<b>PP205</b>	<b>0.3</b>
3/8	AEL204-012	PP205	0.7
<b>M10</b>	<b>AEL205</b>	<b>PP206</b>	<b>0.5</b>
	AEL205-013	PP206	
	AEL205-014	PP206	
3/8	AEL205-015	PP206	1.1
	AEL205-100	PP206	
<b>M10</b>	<b>AEL206</b>	<b>PP207</b>	<b>0.7</b>
	AEL206-101	PP207	
3/8	AEL206-102	PP207	1.5
	AEL206-103	PP207	
	AEL206-104	PP207	





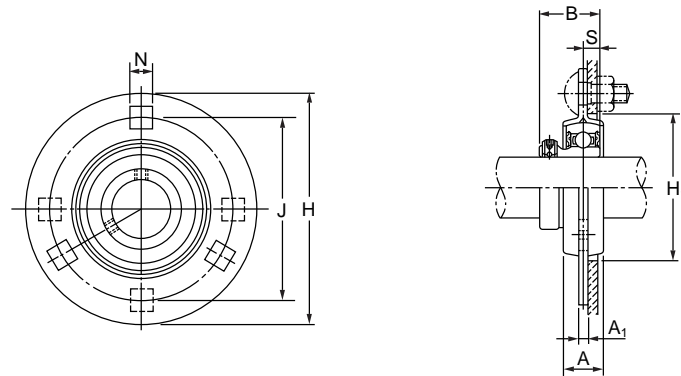
# Flange Unit Pressed Steel Housing

		Page
7.01	3 Bolt - Round, Set Screw Type - ASPF 200 Series	251
7.02	3 Bolt - Round, Set Screw Type with Rubber Ring - ASRPF 200 Series	253
7.03	3 Bolt - Round, Eccentric Locking Collar Type - AELPF 200 Series	255
7.04	3 Bolt - Round, Eccentric Locking Collar Type - AELRPF 200 Series	257
7.05	3 Bolt - Triangle, Set Screw Type - ASPFT 200 Series	259
7.06	3 Bolt - Triangle, Eccentric Locking Collar Type - AELPFT 200 Series	261
7.07	2 Bolt - Oval, Set Screw Type - ASPFL 200 Series	263
7.08	2 Bolt - Oval, Eccentric Collar Locking Type with Rubber Ring - AELPFL 200 Series	265

# Flanged Unit Pressed Steel Housing (3 Bolt-Round)



■ Set Screw Type - ASPF 200 Series



Shaft Dia.	Unit Number	Basic Dimensions							
		mm		inch		mm		inch	
mm inch		H	J	A <sub>1</sub>	N	A	B	S	H <sub>1</sub> min.
<b>12</b>	<b>ASPF201</b>	<b>81</b>	<b>63.5</b>	<b>4</b>	<b>7.1</b>	<b>14</b>	<b>22</b>	<b>6</b>	<b>49</b>
1/2	ASPF201-008	3 3/16	2 1/2	0.157	9/32	9/16	0.8661	0.236	1 59/64
<b>15</b>	<b>ASPF202</b>	<b>81</b>	<b>63.5</b>	<b>4</b>	<b>7.1</b>	<b>14</b>	<b>22</b>	<b>6</b>	<b>49</b>
9/16	ASPF202-009	3 3/16	2 1/2	0.157	9/32	9/16	0.8661	0.236	1 59/64
5/8	ASPF202-010	3 3/16	2 1/2	0.157	9/32	9/16	0.8661	0.236	1 59/64
<b>17</b>	<b>ASPF203</b>	<b>81</b>	<b>63.5</b>	<b>4</b>	<b>7.1</b>	<b>14</b>	<b>22</b>	<b>6</b>	<b>49</b>
11/16	ASPF203-011	3 3/16	2 1/2	0.157	9/32	9/16	0.8661	0.236	1 59/64
<b>20</b>	<b>ASPF204</b>	<b>90</b>	<b>71.5</b>	<b>4</b>	<b>9</b>	<b>16</b>	<b>25</b>	<b>7</b>	<b>56</b>
3/4	ASPF204-012	3 35/64	2 13/16	0.157	23/64	5/8	0.9843	0.276	2 13/64
<b>25</b>	<b>ASPF205</b>	<b>95</b>	<b>76</b>	<b>4</b>	<b>9</b>	<b>18</b>	<b>27</b>	<b>7.5</b>	<b>60</b>
13/16	ASPF205-013	3 3/4	2 63/64	0.157	23/64	23/32	1.0630	0.295	2 23/64
7/8	ASPF205-014	3 3/4	2 63/64	0.157	23/64	23/32	1.0630	0.295	2 23/64
15/16	ASPF205-015	3 3/4	2 63/64	0.157	23/64	23/32	1.0630	0.295	2 23/64
1	ASPF205-100	3 3/4	2 63/64	0.157	23/64	23/32	1.0630	0.295	2 23/64
<b>30</b>	<b>ASPF206</b>	<b>113</b>	<b>90.5</b>	<b>5.2</b>	<b>11</b>	<b>18</b>	<b>29</b>	<b>8</b>	<b>71</b>
1 1/16	ASPF206-101	4 7/16	3 9/16	0.205	7/16	23/32	1.1417	0.315	2 51/64
1 1/8	ASPF206-102	4 7/16	3 9/16	0.205	7/16	23/32	1.1417	0.315	2 51/64
1 3/16	ASPF206-103	4 7/16	3 9/16	0.205	7/16	23/32	1.1417	0.315	2 51/64
1 1/4	ASPF206-104	4 7/16	3 9/16	0.205	7/16	23/32	1.1417	0.315	2 51/64
<b>35</b>	<b>ASPF207</b>	<b>122</b>	<b>100</b>	<b>5.2</b>	<b>11</b>	<b>20</b>	<b>34</b>	<b>8.5</b>	<b>81</b>
1 1/4	ASPF207-104	4 13/16	3 15/16	0.205	7/16	25/32	1.3386	0.335	3 3/16
1 5/16	ASPF207-105	4 13/16	3 15/16	0.205	7/16	25/32	1.3386	0.335	3 3/16
1 3/8	ASPF207-106	4 13/16	3 15/16	0.205	7/16	25/32	1.3386	0.335	3 3/16
1 7/16	ASPF207-107	4 13/16	3 15/16	0.205	7/16	25/32	1.3386	0.335	3 3/16
<b>40</b>	<b>ASPF208</b>	<b>148</b>	<b>119</b>	<b>6.8</b>	<b>13.5</b>	<b>21</b>	<b>38</b>	<b>9</b>	<b>91</b>
1 1/2	ASPF208-108	5 13/16	4 11/16	0.268	17/32	13/16	1.4961	0.354	3 37/64
1 9/16	ASPF208-109	5 13/16	4 11/16	0.268	17/32	13/16	1.4961	0.354	3 37/64



# Flanged Unit Pressed Steel Housing (3 Bolt-Round)

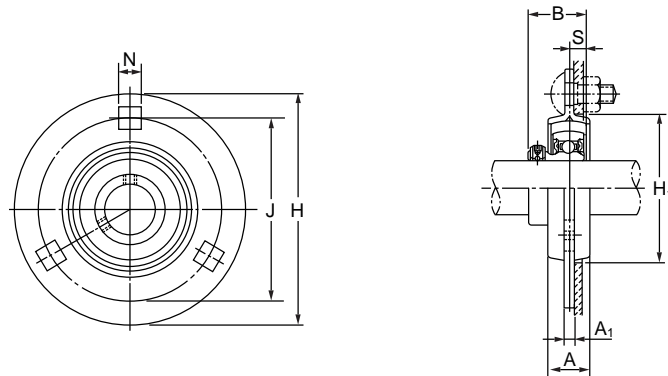
Bolt Size	Bearing Number	Housing Number	Mass
mm inch			kg/lbs
<b>M6</b>	<b>AS201</b>	<b>PF203</b>	<b>0.2</b>
1/4	AS201-008	PF203	0.4
<b>M6</b>	<b>AS202</b>	<b>PF203</b>	<b>0.2</b>
1/4	AS202-009	PF203	0.4
	AS202-010	PF203	0.4
<b>M6</b>	<b>AS203</b>	<b>PF203</b>	<b>0.2</b>
1/4	AS203-011	PF203	0.4
<b>M8</b>	<b>AS204</b>	<b>PF204</b>	<b>0.3</b>
5/16	AS204-012	PF204	0.7
<b>M8</b>	<b>AS205</b>	<b>PF205</b>	<b>0.3</b>
	AS205-013	PF205	0.7
5/16	AS205-014	PF205	0.7
	AS205-015	PF205	0.7
	AS205-100	PF205	0.7
<b>M10</b>	<b>AS206</b>	<b>PF206</b>	<b>0.5</b>
3/8	AS206-101	PF206	1.1
	AS206-102	PF206	1.1
	AS206-103	PF206	1.1
	AS206-104	PF206	1.1
<b>M10</b>	<b>AS207</b>	<b>PF207</b>	<b>0.7</b>
	AS207-104	PF207	1.5
3/8	AS207-105	PF207	1.5
	AS207-106	PF207	1.5
	AS207-107	PF207	1.5
<b>M12</b>	<b>AS208</b>	<b>PF208</b>	<b>1.1</b>
1/2	AS208-108	PF208	2.4
	AS208-109	PF208	2.4



# Flanged Unit Pressed Steel Housing (3 Bolt-Round)



■ Set Screw Type with Rubber Ring - ASRPF 200 Series



Shaft Dia.	Unit Number	Basic Dimensions							
		mm		inch		mm		inch	
mm inch		H	J	A <sub>1</sub>	N	A	B	S	H <sub>1</sub> min.
<b>12</b>	<b>ASRPF201</b>	<b>90</b>	<b>71.5</b>	<b>4</b>	<b>9</b>	<b>16</b>	<b>22</b>	<b>6</b>	<b>56</b>
1/2	ASRPF201-008	3 17/32	2 13/16	0.157	23/64	5/8	0.8661	0.236	2 13/64
<b>15</b>	<b>ASRPF202</b>	<b>90</b>	<b>71.5</b>	<b>4</b>	<b>9</b>	<b>16</b>	<b>22</b>	<b>6</b>	<b>56</b>
9/16 5/8	ASRPF202-009 ASRPF202-010	3 17/32	2 13/16	0.157	23/64	5/8	0.8661	0.236	2 13/64
<b>17</b>	<b>ASRPF203</b>	<b>90</b>	<b>71.5</b>	<b>4</b>	<b>9</b>	<b>16</b>	<b>22</b>	<b>6</b>	<b>56</b>
11/16	ASRPF203-011	3 17/32	2 13/16	0.157	23/64	5/8	0.8661	0.236	2 13/64
<b>20</b>	<b>ASRPF204</b>	<b>95</b>	<b>76</b>	<b>4</b>	<b>9</b>	<b>18</b>	<b>25</b>	<b>7</b>	<b>60</b>
3/4	ASRPF204-012	3 3/4	2 63/64	0.157	23/64	23/32	0.9843	0.276	2 23/64
<b>25</b>	<b>ASRPF205</b>	<b>113</b>	<b>90.5</b>	<b>5.2</b>	<b>11</b>	<b>18</b>	<b>27</b>	<b>7.5</b>	<b>71</b>
13/16 7/8 15/16 1	ASRPF205-013 ASRPF205-014 ASRPF205-015 ASRPF205-100	4 7/16	3 9/16	0.205	7/16	23/32	1.0630	0.295	2 51/64
<b>30</b>	<b>ASRPF206</b>	<b>122</b>	<b>100</b>	<b>5.2</b>	<b>11</b>	<b>20</b>	<b>29</b>	<b>8</b>	<b>81</b>
1 1/16 1 1/8 1 3/16 1 1/4	ASRPF206-101 ASRPF206-102 ASRPF206-103 ASRPF206-104	4 13/16	3 15/16	0.205	7/16	23/32	1.1417	0.315	3 3/16



# Flanged Unit Pressed Steel Housing (3 Bolt-Round)

Bolt Size	Bearing Number	Housing Number	Mass
mm inch			kg/lbs
<b>M8</b>	<b>AS201</b>	<b>PF204</b>	<b>0.3</b>
5/16	AS201-008	PF204	0.7
<b>M8</b>	<b>AS202</b>	<b>PF204</b>	<b>0.3</b>
5/16	AS202-009 AS202-010	PF204 PF204	0.7
<b>M8</b>	<b>AS203</b>	<b>PF204</b>	<b>0.3</b>
5/16	AS203-011	PF204	0.7
<b>M8</b>	<b>AS204</b>	<b>PF205</b>	<b>0.4</b>
5/16	AS204-012	PF205	0.9
<b>M10</b>	<b>AS205</b>	<b>PF206</b>	<b>0.4</b>
	AS205-013	PF206	
3/8	AS205-014 AS205-015 AS205-100	PF206 PF206 PF206	0.9
<b>M10</b>	<b>AS206</b>	<b>PF207</b>	<b>0.6</b>
	AS206-101	PF207	
3/8	AS206-102 AS206-103 AS206-104	PF207 PF207 PF207	1.3



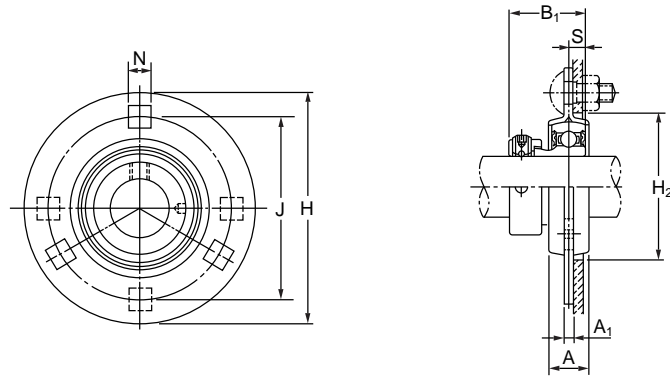
7.02

7.02

# Flanged Unit Pressed Steel Housing (3 Bolt-Round)



■ Eccentric Locking Collar Type - AELPF 200 Series



Shaft Dia.	Unit Number	Basic Dimensions							
		mm		inch		mm		inch	
mm inch		H	J	A <sub>1</sub>	N	A	B	S	H <sub>1</sub> min.
<b>12</b>	<b>AELPF201</b>	<b>81</b>	<b>63.5</b>	<b>4</b>	<b>7.1</b>	<b>14</b>	<b>28.6</b>	<b>6.5</b>	<b>49</b>
1/2	AELPF201-008	3 3/16	2 1/2	0.157	9/32	9/16	1.126	0.256	1 59/64
<b>15</b>	<b>AELPF202</b>	<b>81</b>	<b>63.5</b>	<b>4</b>	<b>7.1</b>	<b>14</b>	<b>28.6</b>	<b>6.5</b>	<b>49</b>
9/16	AELPF202-009	3 3/16	2 1/2	0.157	9/32	9/16	1.126	0.256	1 59/64
5/8	AELPF202-010	3 3/16	2 1/2	0.157	9/32	9/16	1.126	0.256	1 59/64
<b>17</b>	<b>AELPF203</b>	<b>81</b>	<b>63.5</b>	<b>4</b>	<b>7.1</b>	<b>14</b>	<b>28.6</b>	<b>6.5</b>	<b>49</b>
11/16	AELPF203-011	3 3/16	2 1/2	0.157	9/32	9/16	1.126	0.256	1 59/64
<b>20</b>	<b>AELPF204</b>	<b>90</b>	<b>71.5</b>	<b>4</b>	<b>9</b>	<b>16</b>	<b>31</b>	<b>7.5</b>	<b>56</b>
3/4	AELPF204-012	3 17/32	2 13/16	0.157	23/64	5/8	1.220	0.295	2 13/64
<b>25</b>	<b>AELPF205</b>	<b>95</b>	<b>76</b>	<b>4</b>	<b>9</b>	<b>18</b>	<b>31</b>	<b>7.5</b>	<b>60</b>
13/16	AELPF205-013	3 3/4	2 63/64	0.157	23/64	23/32	1.220	0.295	2 23/64
7/8	AELPF205-014	3 3/4	2 63/64	0.157	23/64	23/32	1.220	0.295	2 23/64
15/16	AELPF205-015	3 3/4	2 63/64	0.157	23/64	23/32	1.220	0.295	2 23/64
1	AELPF205-100	3 3/4	2 63/64	0.157	23/64	23/32	1.220	0.295	2 23/64
<b>30</b>	<b>AELPF206</b>	<b>113</b>	<b>90.5</b>	<b>5.2</b>	<b>11</b>	<b>18</b>	<b>35.7</b>	<b>9</b>	<b>71</b>
1 1/16	AELPF206-101	4 7/16	3 9/16	0.205	7/16	23/32	1.406	0.354	2 51/64
1 1/8	AELPF206-102	4 7/16	3 9/16	0.205	7/16	23/32	1.406	0.354	2 51/64
1 3/16	AELPF206-103	4 7/16	3 9/16	0.205	7/16	23/32	1.406	0.354	2 51/64
1 1/4	AELPF206-104	4 7/16	3 9/16	0.205	7/16	23/32	1.406	0.354	2 51/64
<b>35</b>	<b>AELPF207</b>	<b>122</b>	<b>100</b>	<b>5.2</b>	<b>11</b>	<b>20</b>	<b>38.9</b>	<b>9.5</b>	<b>81</b>
1 1/4	AELPF207-104	4 13/16	3 15/16	0.205	7/16	25/32	1.531	0.374	3 3/16
1 5/16	AELPF207-105	4 13/16	3 15/16	0.205	7/16	25/32	1.531	0.374	3 3/16
1 3/8	AELPF207-106	4 13/16	3 15/16	0.205	7/16	25/32	1.531	0.374	3 3/16
1 7/16	AELPF207-107	4 13/16	3 15/16	0.205	7/16	25/32	1.531	0.374	3 3/16
<b>40</b>	<b>AELPF208</b>	<b>148</b>	<b>119</b>	<b>6.8</b>	<b>13.5</b>	<b>21</b>	<b>43.7</b>	<b>11</b>	<b>91</b>
1 1/2	AELPF208-108	5 13/16	4 11/16	0.268	17/32	13/16	1.720	0.433	3 37/64
1 9/16	AELPF208-109	5 13/16	4 11/16	0.268	17/32	13/16	1.720	0.433	3 37/64



# Flanged Unit Pressed Steel Housing (3 Bolt-Round)

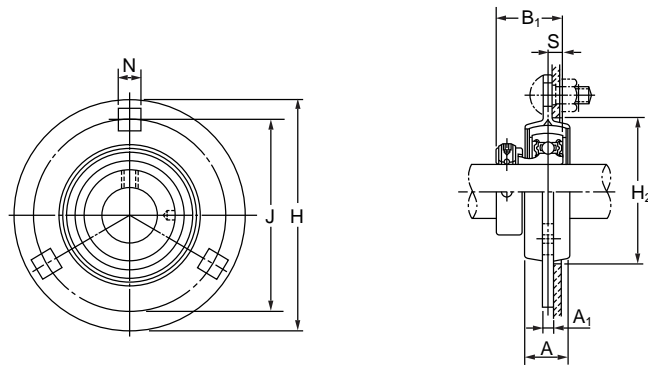
Bolt Size	Bearing Number	Housing Number	Mass
mm inch			kg/lbs
<b>M6</b>	<b>AEL201</b>	<b>PF203</b>	<b>0.2</b>
1/4	AEL201-008	PF203	0.4
<b>M6</b>	<b>AEL202</b>	<b>PF203</b>	<b>0.2</b>
1/4	AEL202-009	PF203	0.4
	AEL202-010	PF203	0.4
<b>M6</b>	<b>AEL203</b>	<b>PF203</b>	<b>0.2</b>
1/4	AEL203-011	PF203	0.4
<b>M8</b>	<b>AEL204</b>	<b>PF204</b>	<b>0.3</b>
5/16	AEL204-012	PF204	0.7
<b>M8</b>	<b>AEL205</b>	<b>PF205</b>	<b>0.4</b>
	AEL205-013	PF205	
	AEL205-014	PF205	
5/16	AEL205-015	PF205	0.9
	AEL205-100	PF205	
<b>M10</b>	<b>AEL206</b>	<b>PF206</b>	<b>0.6</b>
	AEL206-101	PF206	
3/8	AEL206-102	PF206	1.3
	AEL206-103	PF206	
	AEL206-104	PF206	
<b>M10</b>	<b>AEL207</b>	<b>PF207</b>	<b>0.8</b>
	AEL207-104	PF207	
3/8	AEL207-105	PF207	1.8
	AEL207-106	PF207	
	AEL207-107	PF207	
<b>M12</b>	<b>AEL208</b>	<b>PF208</b>	<b>1.3</b>
1/2	AEL208-108	PF208	2.9
	AEL208-109	PF208	



# Flanged Unit Pressed Steel Housing (3 Bolt-Round)



■ Eccentric Locking Collar Type - AELRPF 200 Series



Shaft Dia.	Unit Number	Basic Dimensions							
		mm		inch		mm		inch	
mm inch		H	J	A <sub>1</sub>	N	A	B	S	H <sub>1</sub> min.
<b>12</b>	<b>AELRPF201</b>	<b>90</b>	<b>71.5</b>	<b>4</b>	<b>9</b>	<b>16</b>	<b>28.6</b>	<b>6.5</b>	<b>56</b>
1/2	AELRPF201-008	3 17/32	2 13/16	0.157	23/64	5/8	1.126	0.256	2 13/64
<b>15</b>	<b>AELRPF202</b>	<b>90</b>	<b>71.5</b>	<b>4</b>	<b>9</b>	<b>16</b>	<b>28.6</b>	<b>6.5</b>	<b>56</b>
9/16	AELRPF202-009	3 17/32	2 13/16	0.157	23/64	5/8	1.126	0.256	2 13/64
5/8	AELRPF202-010	3 17/32	2 13/16	0.157	23/64	5/8	1.126	0.256	2 13/64
<b>17</b>	<b>AELRPF203</b>	<b>90</b>	<b>71.5</b>	<b>4</b>	<b>9</b>	<b>16</b>	<b>28.6</b>	<b>6.5</b>	<b>56</b>
11/16	AELRPF203-011	3 17/32	2 13/16	0.157	23/64	5/8	1.126	0.256	2 13/64
<b>20</b>	<b>AELRPF204</b>	<b>95</b>	<b>76</b>	<b>4</b>	<b>9</b>	<b>18</b>	<b>31</b>	<b>7.5</b>	<b>60</b>
3/4	AELRPF204-012	3 3/4	2 63/64	0.157	23/64	23/32	1.220	0.295	2 23/64
<b>25</b>	<b>AELRPF205</b>	<b>113</b>	<b>90.5</b>	<b>5.2</b>	<b>11</b>	<b>18</b>	<b>31</b>	<b>7.5</b>	<b>71</b>
13/16	AELRPF205-013	4 7/16	3 9/16	0.205	7/16	23/32	1.220	0.295	2 51/64
7/8	AELRPF205-014	4 7/16	3 9/16	0.205	7/16	23/32	1.220	0.295	2 51/64
15/16	AELRPF205-015	4 7/16	3 9/16	0.205	7/16	23/32	1.220	0.295	2 51/64
1	AELRPF205-100	4 7/16	3 9/16	0.205	7/16	23/32	1.220	0.295	2 51/64
<b>30</b>	<b>AELRPF206</b>	<b>122</b>	<b>100</b>	<b>5.2</b>	<b>11</b>	<b>20</b>	<b>35.7</b>	<b>9</b>	<b>81</b>
1 1/16	AELRPF206-101	4 13/16	3 15/16	0.205	7/16	25/32	1.406	0.354	3 3/16
1 1/8	AELRPF206-102	4 13/16	3 15/16	0.205	7/16	25/32	1.406	0.354	3 3/16
1 3/16	AELRPF206-103	4 13/16	3 15/16	0.205	7/16	25/32	1.406	0.354	3 3/16
1 1/4	AELRPF206-104	4 13/16	3 15/16	0.205	7/16	25/32	1.406	0.354	3 3/16



# Flanged Unit Pressed Steel Housing (3 Bolt-Round)

Bolt Size	Bearing Number	Housing Number	Mass
mm inch			kg/lbs
<b>M8</b>	<b>AEL201</b>	<b>PF204</b>	<b>0.3</b>
5/16	AEL201-008	PF204	0.7
<b>M8</b>	<b>AEL202</b>	<b>PF204</b>	<b>0.3</b>
5/16	AEL202-009	PF204	0.7
	AEL202-010	PF204	0.7
<b>M8</b>	<b>AEL203</b>	<b>PF204</b>	<b>0.3</b>
5/16	AEL203-011	PF204	0.7
<b>M8</b>	<b>AEL204</b>	<b>PF205</b>	<b>0.4</b>
5/16	AEL204-012	PF205	0.9
<b>M10</b>	<b>AEL205</b>	<b>PF206</b>	<b>0.5</b>
	AEL205-013	PF206	
	AEL205-014	PF206	
3/8	AEL205-015	PF206	1.1
	AEL205-100	PF206	
<b>M10</b>	<b>AEL206</b>	<b>PF207</b>	<b>0.7</b>
	AEL206-101	PF207	
3/8	AEL206-102	PF207	1.5
	AEL206-103	PF207	
	AEL206-104	PF207	



7.04

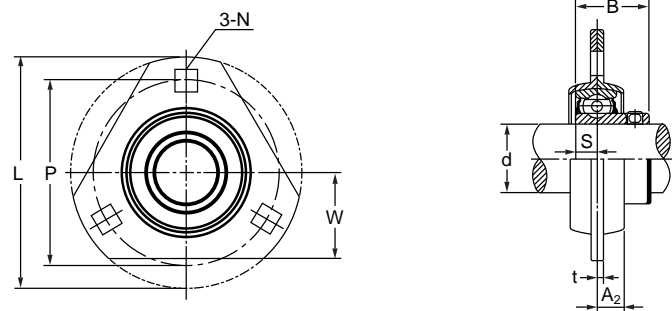
7.04



# Flanged Unit Pressed Steel Housing (3 Bolt-Triangle)



■ Set Screw Type - ASPFT 200 Series



Shaft Dia.	Unit Number	Basic Dimensions								Bolt Size	
		L	P	A <sub>2</sub>	t	N	W	S	B		
12 1/2	<b>ASPFT201</b> ASPFT201-008	82	64	7	2	7.5	29	6	22	1/4	M6
15 5/8	<b>ASPFT202</b> ASPFT202-010	82	64	7	2	7.5	29	6	22	1/4	M6
17 11/16	<b>ASPFT203</b> ASPFT203-011	82	64	7	2	7.5	29	6	22	1/4	M6
20 3/4	<b>ASPFT204</b> ASPFT204-012	91	71	8	2	9	33	7	25	5/16	M8
25 7/8 15/16 1	<b>ASPFT205</b> ASPFT205-014 ASPFT205-015 ASPFT205-100	95	76	9	2	9	35	7.5	27	5/16	M8
30 1 1/8 1 3/16 1 1/4	<b>ASPFT206</b> ASPFT206-102 ASPFT206-103 ASPFT206-104	113	90	9	2.5	10.5	38	8	29	3/8	M10
35 1 1/4 1 5/16 1 3/8 1 7/16	<b>ASPFT207</b> ASPFT207-104 ASPFT207-105 ASPFT207-106 ASPFT207-107	122	100	10	2.5	10.5	45	9	32	3/8	M10



# Flanged Unit Pressed Steel Housing (3 Bolt-Triangle)

Bearing Number	Housing Number	Mass
		kg/lbs
<b>AS201</b> AS201-008	PFT203	0.27
<b>AS202</b> AS202-010	PFT203	0.27
<b>AS203</b> AS203-011	PFT203	0.27
<b>AS204</b> AS204-012	PFT204	0.3
<b>AS205</b> AS205-014 AS205-015 AS205-100	PFT205	0.38
<b>AS206</b> AS206-102 AS206-103 AS206-104	PFT206	0.62
<b>AS207</b> AS207-104 AS207-105 AS207-106 AS207-107	PFT207	0.82



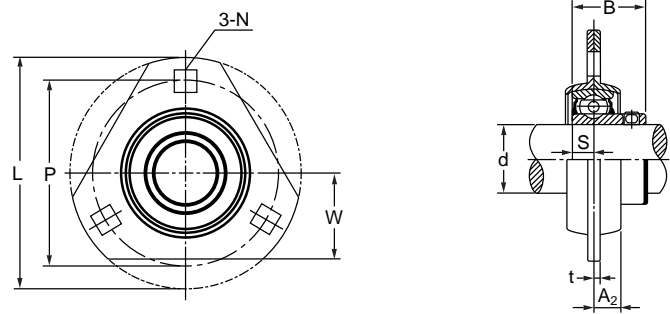
7.05

7.05

# Flanged Unit Pressed Steel Housing (3 Bolt-Triangle)



■ Eccentric Locking Collar Type - AELPFT 200 Series



Shaft Dia.	Unit Number	Basic Dimensions								Bolt Size	
		L	P	A <sub>2</sub>	t	N	W	S	B		
12 1/2	<b>AELPFT201</b> AELPFT201-008	82	64	7	2	7.5	29	6.5	28.6	1/4	M6
15 5/8	<b>AELPFT202</b> AELPFT202-010	82	64	7	2	7.5	29	6.5	28.6	1/4	M6
17 11/16	<b>AELPFT203</b> AELPFT203-011	82	64	7	2	7.5	29	6.5	28.6	1/4	M6
20 3/4	<b>AELPFT204</b> AELPFT204-012	91	71	8	2	9	33	7	30	5/16	M8
25 7/8 15/16 1	<b>AELPFT205</b> AELPFT205-014 AELPFT205-015 AELPFT205-100	95	76	9	2	9	35	7.5	31	5/16	M8
30 1 1/8 1 3/16 1 1/4	<b>AELPFT206</b> AELPFT206-102 AELPFT206-103 AELPFT206-104	113	90	9	2.5	10.5	38	8	33.9	3/8	M10
35 1 1/4 1 5/16 1 3/8 1 7/16	<b>AELPFT207</b> AELPFT207-104 AELPFT207-105 AELPFT207-106 AELPFT207-107	122	100	10	2.5	10.5	45	9	37.5	3/8	M10



# Flanged Unit Pressed Steel Housing (3 Bolt-Triangle)

Bearing Number	Housing Number	Mass
<b>AEL201</b> AEL201-008	PFT203	0.29
<b>AEL202</b> AEL202-010	PFT203	0.29
<b>AEL203</b> AEL203-011	PFT203	0.28
<b>AEL204</b> AEL204-012	PFT204	0.31
<b>AEL205</b> AEL205-014 AEL205-015 AEL205-100	PFT205	0.41
<b>AEL206</b> AEL206-102 AEL206-103 AEL206-104	PFT206	0.67
<b>AEL207</b> AEL207-104 AEL207-105 AEL207-106 AEL207-107	PFT207	0.67



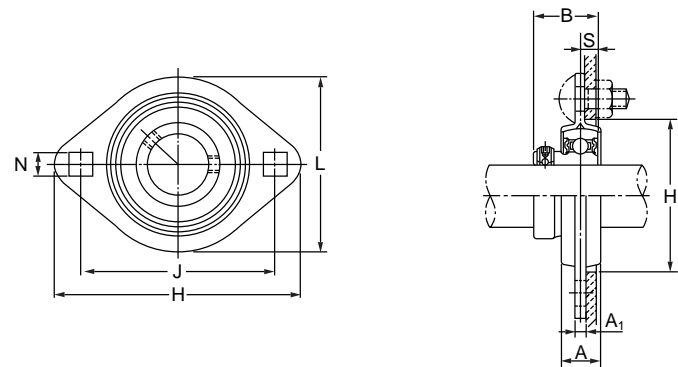
7.06

7.06

# Flanged Unit Pressed Steel Housing (2 Bolt-Oval)



■ Set Screw Type - ASPFL 200 Series



Shaft Dia.	Unit Number	Basic Dimensions								
		mm inch								
mm inch		H	J	A <sub>1</sub>	N	A	L	B <sub>1</sub>	S	H <sub>1</sub> min.
<b>12</b>	<b>ASPFL201</b>	<b>81</b>	<b>63.5</b>	<b>4</b>	<b>7.1</b>	<b>14</b>	<b>59</b>	<b>22</b>	<b>6</b>	<b>49</b>
1/2	ASPFL201-008	3 3/16	2 1/2	0.157	9/32	9/16	2 5/16	0.8661	0.236	1 59/64
<b>15</b>	<b>ASPFL202</b>	<b>81</b>	<b>63.5</b>	<b>4</b>	<b>7.1</b>	<b>14</b>	<b>59</b>	<b>22</b>	<b>6</b>	<b>49</b>
9/16	ASPFL202-009	3 3/16	2 1/2	0.157	9/32	9/16	2 5/16	0.8661	0.236	1 59/64
5/8	ASPFL202-010	3 3/16	2 1/2	0.157	9/32	9/16	2 5/16	0.8661	0.236	1 59/64
<b>17</b>	<b>ASPFL203</b>	<b>81</b>	<b>63.5</b>	<b>4</b>	<b>7.1</b>	<b>14</b>	<b>59</b>	<b>22</b>	<b>6</b>	<b>49</b>
11/16	ASPFL203-011	3 3/16	2 1/2	0.157	9/32	9/16	2 5/16	0.8661	0.236	1 59/64
<b>20</b>	<b>ASPFL204</b>	<b>90</b>	<b>71.5</b>	<b>4</b>	<b>9</b>	<b>16</b>	<b>67</b>	<b>25</b>	<b>7</b>	<b>56</b>
3/4	ASPFL204-012	3 17/32	2 13/16	0.157	23/64	5/8	2 5/8	0.9843	0.276	2 13/64
<b>25</b>	<b>ASPFL205</b>	<b>95</b>	<b>76</b>	<b>4</b>	<b>9</b>	<b>18</b>	<b>71</b>	<b>27</b>	<b>7.5</b>	<b>60</b>
13/16	ASPFL205-013	3 3/4	2 63/64	0.157	23/64	23/32	2 25/32	1.0630	0.295	2 23/64
7/8	ASPFL205-014									
15/16	ASPFL205-015									
1	ASPFL205-100									
<b>30</b>	<b>ASPFL206</b>	<b>113</b>	<b>90.5</b>	<b>5.2</b>	<b>11</b>	<b>18</b>	<b>84</b>	<b>29</b>	<b>8</b>	<b>71</b>
1 1/16	ASPFL206-101	4 7/16	3 9/16	0.205	7/16	23/32	3 5/16	1.1417	0.315	2 51/64
1 1/8	ASPFL206-102									
1 3/16	ASPFL206-103									
1 1/4	ASPFL206-104									
<b>35</b>	<b>ASPFL207</b>	<b>122</b>	<b>100</b>	<b>5.2</b>	<b>11</b>	<b>20</b>	<b>94</b>	<b>34</b>	<b>8.5</b>	<b>81</b>
1 1/4	ASPFL207-104	4 13/16	3 15/16	0.205	7/16	25/32	3 11/16	1.3386	0.335	3 3/16
1 5/16	ASPFL207-105									
1 3/8	ASPFL207-106									
1 7/16	ASPFL207-107									
<b>40</b>	<b>ASPFL208</b>	<b>148</b>	<b>119</b>	<b>6.8</b>	<b>13.5</b>	<b>21</b>	<b>100</b>	<b>38</b>	<b>9</b>	<b>91</b>
1 1/2	ASPFL208-108	5 53/64	4 11/16	0.268	17/32	53/64	3 15/16	1.4961	0.354	3 37/64
1 9/16	ASPFL208-109									



# Flanged Units Pressed Steel Housing (2 Bolt-Oval)

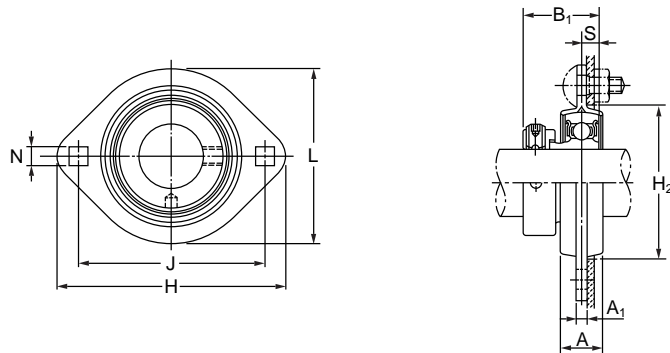
Bolt Size	Bearing Number	Housing Number	Mass
mm inch			kg/lbs
<b>M6</b>	<b>AS201</b>	<b>PFL203</b>	<b>0.1</b>
1/4	AS201-008	PFL203	0.2
<b>M6</b>	<b>AS202</b>	<b>PFL203</b>	<b>0.1</b>
1/4	AS202-009	PFL203	0.2
	AS202-010	PFL203	
<b>M6</b>	<b>AS203</b>	<b>PFL203</b>	<b>0.1</b>
1/4	AS203-011	PFL203	0.2
<b>M8</b>	<b>AS204</b>	<b>PFL204</b>	<b>0.2</b>
5/16	AS204-012	PFL204	0.4
<b>M8</b>	<b>AS205</b>	<b>PFL205</b>	<b>0.3</b>
	AS205-013	PFL205	
	AS205-014	PFL205	
5/16	AS205-015	PFL205	0.7
	AS205-100	PFL205	
<b>M10</b>	<b>AS206</b>	<b>PFL206</b>	<b>0.4</b>
	AS206-101	PFL206	
3/8	AS206-102	PFL206	0.9
	AS206-103	PFL206	
	AS206-104	PFL206	
<b>M10</b>	<b>AS207</b>	<b>PFL207</b>	<b>0.5</b>
	AS207-104	PFL207	
3/8	AS207-105	PFL207	1.1
	AS207-106	PFL207	
	AS207-107	PFL207	
<b>M12</b>	<b>AS208</b>	<b>PFL208</b>	<b>0.8</b>
1/2	AS208-108	PFL208	1.4
	AS208-109	PFL208	



# Flanged Unit Pressed Steel Housing (2 Bolt-Oval)



■ Eccentric Locking Collar with Rubber Ring - AELPFL 200 Series



Shaft Dia.	Unit Number	Basic Dimensions								
		mm		inch						
mm inch		H	J	A <sub>1</sub>	N	A	L	B <sub>1</sub>	S	H <sub>2</sub>
<b>12</b>	<b>AELPFL201</b>	<b>81</b>	<b>63.5</b>	<b>4</b>	<b>7.1</b>	<b>14</b>	<b>59</b>	<b>28.6</b>	<b>6.5</b>	<b>49</b>
1/2	AELPFL201-008	3 3/16	2 1/2	0.157	9/32	9/16	2 5/16	1.126	0.256	1 59/64
<b>15</b>	<b>AELPFL202</b>	<b>81</b>	<b>63.5</b>	<b>4</b>	<b>7.1</b>	<b>14</b>	<b>59</b>	<b>28.6</b>	<b>6.5</b>	<b>49</b>
9/16	AELPFL202-009	3 3/16	2 1/2	0.157	9/32	9/16	2 5/16	1.126	0.256	1 59/64
5/8	AELPFL202-010	3 3/16	2 1/2	0.157	9/32	9/16	2 5/16	1.126	0.256	1 59/64
<b>17</b>	<b>AELPFL203</b>	<b>81</b>	<b>63.5</b>	<b>4</b>	<b>7.1</b>	<b>14</b>	<b>59</b>	<b>28.6</b>	<b>6.5</b>	<b>49</b>
11/16	AELPFL203-011	3 3/16	2 1/2	0.157	9/32	9/16	2 5/16	1.126	0.256	1 59/64
<b>20</b>	<b>AELPFL204</b>	<b>90</b>	<b>71.5</b>	<b>4</b>	<b>9</b>	<b>16</b>	<b>67</b>	<b>31</b>	<b>7.5</b>	<b>56</b>
3/4	AELPFL204-012	3 17/32	2 13/16	0.157	23/64	5/8	2 5/8	1.220	0.295	2 13/64
<b>25</b>	<b>AELPFL205</b>	<b>95</b>	<b>76</b>	<b>4</b>	<b>9</b>	<b>18</b>	<b>71</b>	<b>31</b>	<b>7.5</b>	<b>60</b>
13/16	AELPFL205-013									
7/8	AELPFL205-014	3 3/4	2 63/64	0.157	23/64	23/32	2 25/32	1.220	0.295	2 23/64
15/16	AELPFL205-015									
1	AELPFL205-100									
<b>30</b>	<b>AELPFL206</b>	<b>113</b>	<b>90.5</b>	<b>5.2</b>	<b>11</b>	<b>18</b>	<b>84</b>	<b>35.7</b>	<b>9</b>	<b>71</b>
1 1/16	AELPFL206-101									
1 1/8	AELPFL206-102	4 7/16	3 9/16	0.205	7/16	23/32	3 5/16	1.406	0.354	2 51/64
1 3/16	AELPFL206-103									
1 1/4	AELPFL206-104									
<b>35</b>	<b>AELPFL207</b>	<b>122</b>	<b>100</b>	<b>5.2</b>	<b>11</b>	<b>20</b>	<b>94</b>	<b>38.9</b>	<b>9.5</b>	<b>81</b>
1 1/4	AELPFL207-104									
1 5/16	AELPFL207-105	4 13/16	3 15/16	0.205	7/16	25/32	3 11/16	1.531	0.374	3 3/16
1 3/8	AELPFL207-106									
1 7/16	AELPFL207-107									
<b>40</b>	<b>AELPFL208</b>	<b>148</b>	<b>119</b>	<b>6.8</b>	<b>13.5</b>	<b>21</b>	<b>100</b>	<b>43.7</b>	<b>11</b>	<b>91</b>
1 1/2	AELPFL208-108	5 13/16	4 11/16	0.268	17/32	13/16	3 15/16	1.720	0.433	3 37/64
1 9/16	AELPFL208-109									



# Flanged Units Pressed Steel Housing (2 Bolt-Oval)

Bolt Size	Bearing Number	Housing Number	Mass
mm inch			kg/lbs
<b>M6</b>	<b>AEL201</b>	<b>PFL203</b>	<b>0.2</b>
1/4	AEL201-008	PFL203	0.4
<b>M6</b>	<b>AEL202</b>	<b>PFL203</b>	<b>0.2</b>
1/4	AEL202-009	PFL203	0.4
	AEL202-010	PFL203	0.4
<b>M6</b>	<b>AEL203</b>	<b>PFL203</b>	<b>0.1</b>
1/4	AEL203-011	PFL203	0.2
<b>M8</b>	<b>AEL204</b>	<b>PFL204</b>	<b>0.3</b>
5/16	AEL204-012	PFL204	0.7
<b>M8</b>	<b>AEL205</b>	<b>PFL205</b>	<b>0.3</b>
	AEL205-013	PFL205	
	AEL205-014	PFL205	
5/16	AEL205-015	PFL205	0.7
	AEL205-100	PFL205	
<b>M10</b>	<b>AEL206</b>	<b>PFL206</b>	<b>0.5</b>
	AEL206-101	PFL206	
3/8	AEL206-102	PFL206	1.1
	AEL206-103	PFL206	
	AEL206-104	PFL206	
<b>M10</b>	<b>AEL207</b>	<b>PFL207</b>	<b>0.7</b>
	AEL207-104	PFL207	
3/8	AEL207-105	PFL207	1.5
	AEL207-106	PFL207	
	AEL207-107	PFL207	
<b>M12</b>	<b>AEL208</b>	<b>PFL208</b>	<b>1.0</b>
1/2	AEL208-108	PFL208	2.2
	AEL208-109	PFL208	



7.08

7.08



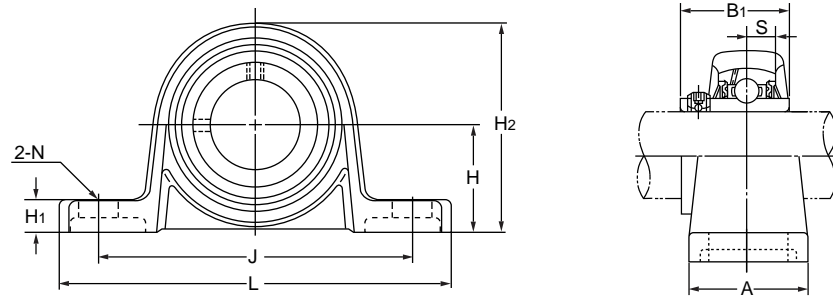
# Pillow Block Zinc Alloy Housing

	Page
8.01 Eccentric Locking Collar Type - UP Series	269
8.02 Set Screw Type - KP Series	270

# Pillow Block Zinc Alloy Housing



■ Eccentric Locking Collar Type - UP Series

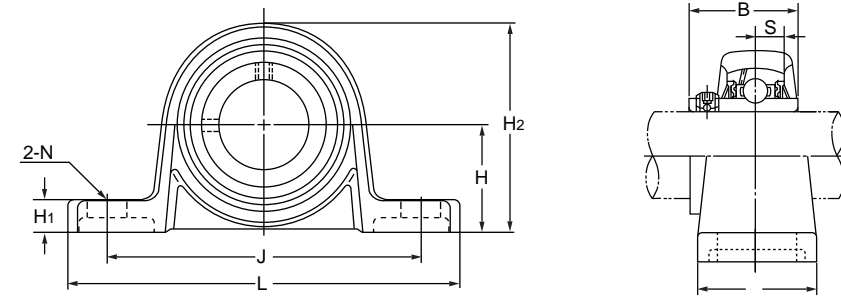


Shaft Dia. d (mm)	Bearing Unit No.	Dimensions (mm)									Bolt Used
		H	L	J	A	N	H1	H2	B1	S	
8	UP08	15	55	42	13	4.8	5	29	15	3.5	M4
10	UP000	18	67	53	16	7	6	35	17.5	4	M6
12	UP001	19	71	56	16	7	6	38	17.5	4	M6
15	UP002	22	80	63	16	7	7	43	18.5	4.5	M6
17	UP003	24	85	67	18	7	7	47	20.5	5	M6
20	UP004	28	100	80	20	10	9	55	24.5	6	M8
25	UP005	32	112	90	20	10	10	62	25.5	6	M8
30	UP006	36	132	106	26	13	11	70	26.5	6.5	M10



# Pillow Block Zinc Alloy Housing

Set Screw Type - KP Series ■



Shaft Dia. d (mm)	Bearing Unit No.	Dimensions (mm)									Bolt Used
		H	L	J	A	N	H1	H2	B	S	
10	UP000	18	67	53	16	7	6	35	14	4	M6
12	UP001	19	71	56	16	7	6	38	14.5	4	M6
15	UP002	22	80	63	16	7	7	43	16.5	4.5	M6
17	UP003	24	85	67	18	7	7	47	17.5	5	M6
20	UP004	28	100	80	20	10	9	55	21	6	M8
25	UP005	32	112	90	20	10	10	62	22.5	6	M8
30	UP006	36	132	106	26	13	11	70	24.5	6.5	M10



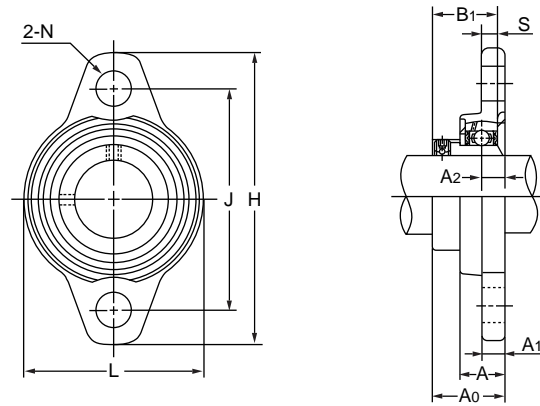
## Flanged Unit Zinc Alloy Housing

	Page
9.01 Eccentric Locking Collar Type - UFL Series	273
9.02 Set Screw Type - KFL Series	274

# Flanged Unit Zinc Alloy Housing



■ Eccentric Locking Collar Type - UFL Series

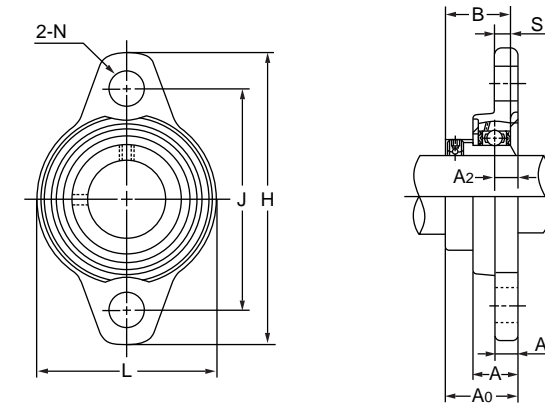


Shaft Dia. d (mm)	Bearing Unit No.	Dimensions (mm)										Bolt Used
		H	J	A <sub>1</sub>	A <sub>2</sub>	A	N	L	A <sub>0</sub>	B <sub>1</sub>	S	
8	UFL08	48	37	4.5	4	8.5	4.8	27	16	15	3.5	M4
10	UFL000	60	45	5.5	5.5	11.5	7	36	19	17.5	4	M6
12	UFL001	63	48	5.5	5.5	11.5	7	38	19	17.5	4	M6
15	UFL002	67	53	6.5	6.5	13	7	42	20.5	18.5	4.5	M6
17	UFL003	71	56	7	7	14	7	46	22.5	20.5	5	M6
20	UFL004	90	71	8	8	16	10	55	26.5	24.5	6	M8
25	UFL005	95	75	8	8	16	10	60	27.5	25.5	6	M8
30	UFL006	112	85	9	9	18	13	70	29	26.5	6.5	M10
35	UFL007	122	95	10	10	20	13	80	32.5	29.5	7	M10



# Flanged Unit Zinc Alloy Housing

■ Set Screw Type - KFL Series



Shaft Dia. d (mm)	Bearing Unit No.	Dimensions (mm)										Bolt Used
		H	J	A <sub>1</sub>	A <sub>2</sub>	A	N	L	A <sub>0</sub>	B	S	
10	KFL000	60	45	5.5	5.5	11.5	7	36	15.5	14	4	M6
12	KFL001	63	48	5.5	5.5	11.5	7	38	16	14.5	4	M6
15	KFL002	67	53	6.5	6.5	13	7	42	18.6	16.5	4.5	M6
17	KFL003	71	56	7	7	14	7	46	19.5	17.5	5	M6
20	KFL004	90	71	8	8	16	10	55	23	21	6	M8
25	KFL005	95	75	8	8	16	10	60	24.5	22.5	6	M8
30	KFL006	112	85	9	9	18	13	70	27	24.5	6.5	M10



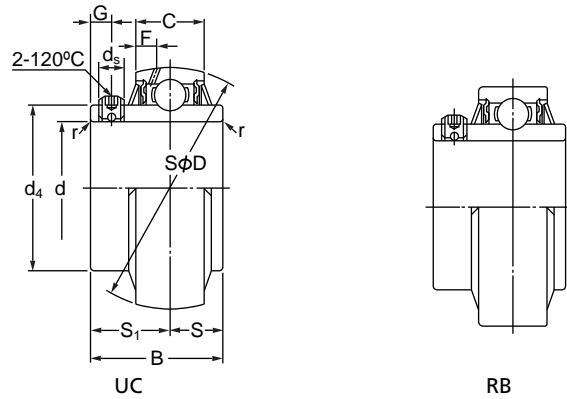


# Ball Bearing Insert

	Page
10.01 Set Screw Type - UC 200, RB 200 Series	277
10.02 Set Screw Type - UCX Series	283
10.03 Set Screw Type - UC 300, RB 300 Series	285
10.04 Set Screw Type - AS 200 Series, ASS 200 Series	291
10.05 Eccentric Locking Collar Type - UEL 200, UELS 200 Series	293
10.06 Eccentric Locking Collar Type - UEL 300, UELS 300 Series	297
10.07 Eccentric Locking Collar Type - AEL 200, AELS 200 Series	303
10.08 Adapter Type - UK 200 Series	305
10.09 Adapter Type - UKX Series	309
10.10 Adapter Type - UK 300 Series	313

10.00

■ Set Screw Type - UC 200, RB 200 Series

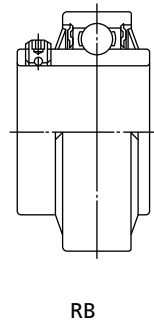
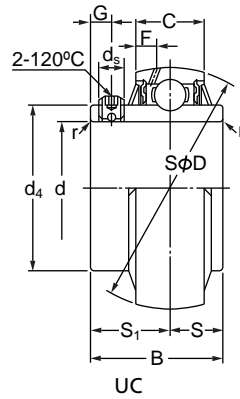


Shaft Dia. mm inch	Bearing Number		Basic Dimensions						
	UC Series	RB Series	d	D	B	C	mm rs min.	inch S	S <sub>1</sub>
<b>12</b> 1/2	<b>UC201</b> UC201-008	<b>RB201</b> RB201-008	<b>12</b> 0.5000	<b>47</b> 1.8504	<b>31</b> 1.2205	<b>17</b> 0.6693	<b>0.6</b> 0.024	<b>12.7</b> 0.500	<b>18.3</b> 0.720
<b>15</b> 9/16 5/8	<b>UC202</b> UC202-009 UC202-010	<b>RB202</b> RB202-009 RB202-010	<b>15</b> 0.5625 0.6250	<b>47</b> 1.8504	<b>31</b> 1.2205	<b>17</b> 0.6693	<b>0.6</b> 0.024	<b>12.7</b> 0.500	<b>18.3</b> 0.720
<b>17</b> 11/16	<b>UC203</b> UC203-011	<b>RB203</b> RB203-011	<b>17</b> 0.6875	<b>47</b> 1.8504	<b>31</b> 1.2205	<b>17</b> 0.6693	<b>0.6</b> 0.024	<b>12.7</b> 0.500	<b>18.3</b> 0.720
<b>20</b> 3/4	<b>UC204</b> UC204-012	<b>RB204</b> RB204-012	<b>20</b> 0.7500	<b>47</b> 1.8504	<b>31</b> 1.2205	<b>17</b> 0.6693	<b>1</b> 0.039	<b>12.7</b> 0.500	<b>18.3</b> 0.720
<b>25</b> 13/16 7/8 15/16 1	<b>UC205</b> UC205-013 UC205-014 UC205-015 UC205-100	<b>RB205</b> RB205-013 RB205-014 RB205-015 RB205-100	<b>25</b> 0.8125 0.8750 0.9375 1.0000	<b>52</b> 2.0472	<b>34.1</b> 1.3425	<b>17</b> 0.6693	<b>1</b> 0.039	<b>14.3</b> 0.563	<b>19.8</b> 0.780
<b>30</b> 1 1/16 1 1/8 1 3/16 1 1/4	<b>UC206</b> UC206-101 UC206-102 UC206-103 UC206-104	<b>RB206</b> RB206-101 RB206-102 RB206-103 RB206-104	<b>30</b> 1.0625 1.1250 1.1875 1.2500	<b>62</b> 2.4409	<b>38.1</b> 1.5000	<b>19</b> 0.7480	<b>1</b> 0.039	<b>15.9</b> 0.626	<b>22.2</b> 0.874
<b>35</b> 1 1/4 1 5/16 1 3/8 1 7/16	<b>UC207</b> UC207-104 UC207-105 UC207-106 UC207-107	<b>RB207</b> RB207-104 RB207-105 RB207-106 RB207-107	<b>35</b> 1.2500 1.3125 1.3750 1.4375	<b>72</b> 2.8346	<b>42.9</b> 1.6890	<b>20</b> 0.7874	<b>1.5</b> 0.059	<b>17.5</b> 0.689	<b>25.4</b> 1.000
<b>40</b> 1 1/2 1 9/16	<b>UC208</b> UC208-108 UC208-109	<b>RB208</b> RB208-108 RB208-109	<b>40</b> 1.5000 1.5625	<b>80</b> 3.1496	<b>49.2</b> 1.9370	<b>21</b> 0.8268	<b>1.5</b> 0.059	<b>19</b> 0.748	<b>30.2</b> 1.189
<b>45</b> 1 5/8 1 11/16 1 3/4	<b>UC209</b> UC209-110 UC209-111 UC209-112	<b>RB209</b> RB209-110 RB209-111 RB209-112	<b>45</b> 1.6250 1.6875 1.7500	<b>85</b> 3.3465	<b>49.2</b> 1.9370	<b>22</b> 0.8661	<b>1.5</b> 0.059	<b>19</b> 0.748	<b>30.2</b> 1.189

\* Denotation  
UC : Chrome Steel Bearing Inserts.  
RB : Stainless Steel Bearing Inserts.

				Basic Load Ratings		Mass
G	ds	d <sub>4</sub>	F	Dynamic C	Static C <sub>0</sub>	kg/lbs
<b>4.5</b> 0.177	<b>M5 X 0.8</b> No.10-32UNF	<b>29.6</b> 1.1654	<b>4.7</b> 0.185	<b>11520</b> 2601	<b>5985</b> 1350	<b>0.21</b> 0.46
<b>4.5</b> 0.177	<b>M5 X 0.8</b> No.10-32UNF	<b>29.6</b> 1.1654	<b>4.7</b> 0.185	<b>11520</b> 2601	<b>5985</b> 1350	<b>0.20</b> 0.44 0.42
<b>4.5</b> 0.177	<b>M5 X 0.8</b> No.10-32UNF	<b>29.6</b> 1.1654	<b>4.7</b> 0.185	<b>11520</b> 2601	<b>5985</b> 1350	<b>0.18</b> 0.39
<b>4.5</b> 0.177	<b>M5 X 0.8</b> No.10-32UNF	<b>29.6</b> 1.1654	<b>4.7</b> 0.185	<b>11520</b> 2601	<b>5985</b> 1350	<b>0.17</b> 0.39
<b>5</b> 0.197	<b>M5 X 0.8</b> No.10-32UNF	<b>33.9</b> 1.3346	<b>4.5</b> 0.177	<b>12600</b> 2835	<b>7065</b> 1593	<b>0.20</b> 0.53 0.51 0.46 0.44
<b>5</b> 0.197	<b>M6 X 0.75</b> 1/4-28UNF	<b>40.8</b> 1.6063	<b>4.6</b> 0.181	<b>17550</b> 3960	<b>10170</b> 2286	<b>0.33</b> 0.82 0.77 0.73 0.66
<b>6</b> 0.236	<b>M6 X 0.75</b> 1/4-28UNF	<b>46.8</b> 1.8425	<b>4.6</b> 0.181	<b>23130</b> 5175	<b>13770</b> 3105	<b>0.49</b> 1.21 1.15 1.08 1.01
<b>8</b> 0.315	<b>M8 X 1</b> 5/16-24UNF	<b>53</b> 2.0866	<b>4.5</b> 0.177	<b>26190</b> 5895	<b>16020</b> 3600	<b>0.65</b> 1.52 1.46
<b>8</b> 0.315	<b>M8 X 1</b> 5/16-24UNF	<b>57.5</b> 2.2638	<b>4.9</b> 0.193	<b>29250</b> 6615	<b>18360</b> 4140	<b>0.70</b> 1.76 1.68 1.57

■ Set Screw Type - UC 200, RB 200 Series



Shaft Dia. mm inch	Bearing Number		Basic Dimensions						
	UC Series	RB Series	d	D	B	C	mm rs min.	inch S	S <sub>1</sub>
<b>50</b>	<b>UC210</b>	<b>RB210</b>	<b>50</b>	<b>90</b>	<b>51.6</b>	<b>24</b>	<b>1.5</b>	<b>19</b>	<b>32.6</b>
1 13/16	UC210-113	RB210-113	1.8125						
1 7/8	UC210-114	RB210-114	1.8750	3.5433	2.0315	0.9449	0.059	0.748	1.283
1 15/16	UC210-115	RB210-115	1.9375						
2	UC210-200	RB210-200	2.0000						
<b>55</b>	<b>UC211</b>	<b>RB211</b>	<b>55</b>	<b>100</b>	<b>55.6</b>	<b>25</b>	<b>2</b>	<b>22.2</b>	<b>33.4</b>
2	UC211-200	RB211-200	2.0000						
2 1/16	UC211-201	RB211-201	2.0625	3.9370	2.1890	0.9843	0.079	0.874	1.315
2 1/8	UC211-202	RB211-202	2.1250						
2 3/16	UC211-203	RB211-203	2.1875						
<b>60</b>	<b>UC212</b>	<b>RB212</b>	<b>60</b>	<b>110</b>	<b>65.1</b>	<b>27</b>	<b>2</b>	<b>25.4</b>	<b>39.7</b>
2 1/4	UC212-204	RB212-204	2.2500						
2 5/16	UC212-205	RB212-205	2.3125	4.3307	2.5630	1.0630	0.079	1.000	1.563
2 3/8	UC212-206	RB212-206	2.3750						
2 7/16	UC212-207	RB212-207	2.4375						
<b>65</b>	<b>UC213</b>	<b>RB213</b>	<b>65</b>	<b>120</b>	<b>65.1</b>	<b>32</b>	<b>2</b>	<b>25.4</b>	<b>39.7</b>
2 1/2	UC213-208	RB213-208	2.5000	4.7244	2.5630	1.2598	0.079	1.000	1.563
2 9/16	UC213-209	RB213-209	2.5625						
<b>70</b>	<b>UC214</b>	<b>RB214</b>	<b>70</b>	<b>125</b>	<b>74.6</b>	<b>33</b>	<b>2</b>	<b>30.2</b>	<b>44.4</b>
2 5/8	UC214-210	RB214-210	2.6250						
2 11/16	UC214-211	RB214-211	2.6875	4.9213	2.9370	1.2992	0.079	1.189	1.748
2 3/4	UC214-212	RB214-212	2.7500						
<b>75</b>	<b>UC215</b>	<b>RB215</b>	<b>75</b>	<b>130</b>	<b>77.8</b>	<b>34</b>	<b>2</b>	<b>33.3</b>	<b>44.5</b>
2 13/16	UC215-213	RB215-213	2.8125						
2 7/8	UC215-214	RB215-214	2.8750	5.1181	3.0630	1.3386	0.079	1.311	1.752
2 15/16	UC215-215	RB215-215	2.9375						
3	UC215-300	RB215-300	3.0000						
<b>80</b>	<b>UC216</b>	<b>RB216</b>	<b>80</b>	<b>140</b>	<b>82.6</b>	<b>35</b>	<b>2.5</b>	<b>33.3</b>	<b>49.3</b>
3 1/16	UC216-301	RB216-301	3.0625						
3 1/8	UC216-302	RB216-302	3.1250	5.5118	3.2520	1.3780	0.098	1.311	1.941
3 3/16	UC216-303	RB216-303	3.1875						

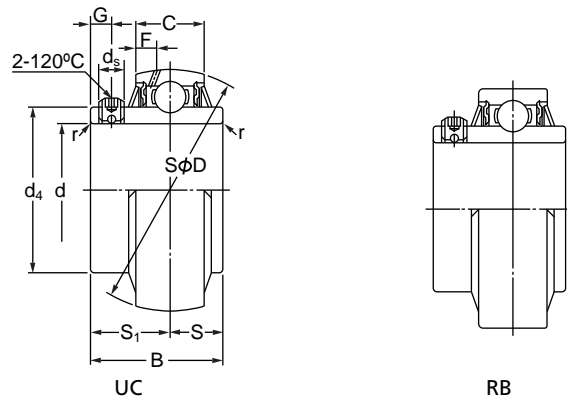
\* Denotation  
UC : Chrome Steel Bearing Inserts.  
RB : Stainless Steel Bearing Inserts.

				Basic Load Ratings		Mass
G	ds	d <sub>4</sub>	F	Dynamic C	Static C <sub>0</sub>	kg/lbs
<b>9</b>	<b>M8 X 1</b>	<b>62.4</b>	<b>5.9</b>	<b>31500</b>	<b>20880</b>	<b>0.80</b>
						2.03
0.354	5/16-24UNF	2.4567	0.232	7110	4680	1.92
						1.81
						1.69
<b>9</b>	<b>M8 X 1</b>	<b>69</b>	<b>6.0</b>	<b>39150</b>	<b>26280</b>	<b>1.08</b>
						2.71
0.354	5/16-24UNF	2.7165	0.236	8775	5895	2.60
						2.46
						2.34
<b>10</b>	<b>M10 X 1.25</b>	<b>77</b>	<b>6.2</b>	<b>47250</b>	<b>32400</b>	<b>1.53</b>
						3.66
0.394	3/8-24UNF	3.0315	0.244	10620	7335	3.50
						3.33
						3.17
<b>10</b>	<b>M10 X 1.25</b>	<b>82.5</b>	<b>8.7</b>	<b>51750</b>	<b>36000</b>	<b>1.85</b>
						4.26
0.394	3/8-24UNF	3.2480	0.343	11610	8100	4.09
<b>12</b>	<b>M10 X 1.25</b>	<b>87</b>	<b>8.8</b>	<b>55800</b>	<b>39600</b>	<b>2.10</b>
						5.09
0.472	3/8-24UNF	3.4252	0.346	12600	8910	4.87
						4.65
<b>12</b>	<b>M10 X 1.25</b>	<b>93</b>	<b>9.0</b>	<b>59400</b>	<b>44550</b>	<b>2.35</b>
						5.73
0.472	3/8-24UNF	3.6614	0.354	13410	9990	5.49
						5.25
						4.98
<b>12</b>	<b>M10 X 1.25</b>	<b>98.1</b>	<b>9.5</b>	<b>65250</b>	<b>47700</b>	<b>2.80</b>
						6.57
0.472	3/8-24UNF	3.8622	0.374	14670	10710	6.28
						6.00

10.01

10.01

■ Set Screw Type - UC 200, RB 200 Series

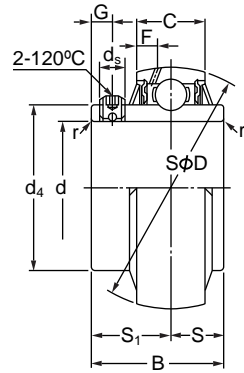


Shaft Dia.	Bearing Number		Basic Dimensions						
	UC Series	RB Series	d	D	B	C	mm rs min.	inch S	S <sub>1</sub>
<b>85</b>	<b>UC217</b>	<b>RB217</b>	<b>85</b>	<b>150</b>	<b>85.7</b>	<b>36</b>	<b>2.5</b>	<b>34.1</b>	<b>51.6</b>
3 1/4	UC217-304	RB217-304	3.2500						
3 5/16	UC217-305	RB217-305	3.3125	5.9055	3.3740	1.4173	0.098	1.343	2.031
3 7/16	UC217-307	RB217-307	3.4375						
<b>90</b>	<b>UC218</b>	<b>RB218</b>	<b>90</b>	<b>160</b>	<b>96</b>	<b>37</b>	<b>2.5</b>	<b>39.7</b>	<b>56.3</b>
3 1/2	UC218-308	RB218-308	3.5000	6.2992	3.7795	1.4570	0.098	1.563	2.217

\* Denotation  
UC : Chrome Steel Bearing Inserts.  
RB : Stainless Steel Bearing Inserts.

G	ds	d <sub>4</sub>	F	Basic Load Ratings		Mass
				Dynamic C	Static C <sub>0</sub>	kg/lbs
<b>12</b>	<b>M12 X 1.5</b>	<b>106.4</b>	<b>10.1</b>	<b>75150</b>	<b>57600</b>	<b>3.37</b>
0.472	1/2-20UNF	4.1890	0.398	16830	12870	7.92
						7.60
						6.97
<b>12</b>	<b>M12 X 1.5</b>	<b>111.6</b>	<b>9.8</b>	<b>86400</b>	<b>64350</b>	<b>4.36</b>
0.472	1/2-20UNF	4.3937	0.386	19440	14490	9.88

■ Set Screw Type - UCX 200 Series

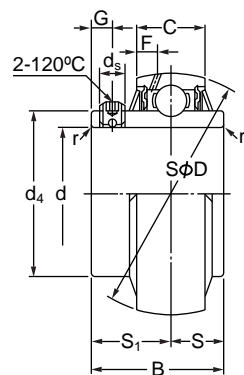


Shaft Dia. mm inch	Bearing Number UC Series	Basic Dimensions							
		d	D	B	C	r <sub>s</sub> min.	S mm inch	S <sub>1</sub>	G
<b>65</b> 2 1/2 2 9/16	<b>UCX13</b> UCX13-208 UCX13-209	<b>65</b> 2.5000 2.5625	<b>125</b> 4.9213	<b>74.6</b> 2.9370	<b>33</b> 1.2992	<b>2</b> 0.079	<b>30.2</b> 1.189	<b>44.4</b> 1.748	<b>12</b> 0.472
<b>70</b> 2 5/8 2 11/16 2 3/4	<b>UCX14</b> UCX14-210 UCX14-211 UCX14-212	<b>70</b> 2.6250 2.6875 2.7500	<b>130</b> 5.1181	<b>77.8</b> 3.0630	<b>34</b> 1.3386	<b>2</b> 0.079	<b>33.3</b> 1.311	<b>44.5</b> 1.752	<b>12</b> 0.472
<b>75</b> 2 13/16 2 7/8 2 15/16 3	<b>UCX15</b> UCX15-213 UCX15-214 UCX15-215 UCX15-300	<b>75</b> 2.8125 2.8750 2.9375 3.0000	<b>140</b> 5.5118	<b>82.6</b> 3.2520	<b>35</b> 1.3780	<b>2</b> 0.079	<b>33.3</b> 1.311	<b>49.3</b> 1.941	<b>12</b> 0.472
<b>80</b> 3 1/16 3 1/8 3 3/16	<b>UCX16</b> UCX16-301 UCX16-302 UCX16-303	<b>80</b> 3.0625 3.1250 3.1875	<b>150</b> 5.9055	<b>85.7</b> 3.3740	<b>36</b> 1.4173	<b>2.5</b> 0.098	<b>34.1</b> 1.343	<b>51.6</b> 2.031	<b>12</b> 0.472
<b>85</b> 3 5/16 3 7/16	<b>UCX17</b> UCX17-305 UCX17-307	<b>85</b> 3.3125 3.4375	<b>160</b> 6.2992	<b>96</b> 3.7795	<b>37</b> 1.4567	<b>2.5</b> 0.098	<b>39.7</b> 1.563	<b>56.3</b> 2.217	<b>12</b> 0.472
<b>90</b> 3 7/16 3 1/2	<b>UCX18</b> UCX18-307 UCX18-308	<b>90</b> 3.4375 3.5000	<b>170</b> 6.6929	<b>104</b> 4.0945	<b>39</b> 1.5354	<b>2.5</b> 0.098	<b>42.9</b> 1.689	<b>61.1</b> 2.406	<b>14</b> 0.551
<b>100</b> 3 13/16 3 7/8 3 15/16 4	<b>UCX20</b> UCX20-313 UCX20-314 UCX20-315 UCX20-400	<b>100</b> 3.8125 3.8750 3.9375 4.0000	<b>190</b> 7.4803	<b>117.5</b> 4.6260	<b>44</b> 1.7323	<b>2.5</b> 0.098	<b>49.2</b> 1.937	<b>68.3</b> 2.689	<b>16</b> 0.630

ds mm inch	d <sub>4</sub>	F	Basic Load Ratings		Mass
			Dynamic C	Static C <sub>0</sub>	kg/lbs
<b>M12 X 1.5</b> 1/2-20UNF	<b>87</b> 3.4252	<b>8.8</b> 0.346	<b>55800</b> 12600	<b>39600</b> 8910	<b>2.45</b> 5.60 5.38
<b>M12 X 1.5</b> 1/2-20UNF	<b>93</b> 3.6614	<b>9.0</b> 0.354	<b>59400</b> 13410	<b>44550</b> 9990	<b>2.47</b> 5.93 5.69 5.47
<b>M12 X 1.5</b> 1/2-20UNF	<b>98.1</b> 3.8622	<b>9.5</b> 0.374	<b>65250</b> 14670	<b>47700</b> 10710	<b>3.11</b> 7.43 7.19 6.92 6.66
<b>M12 X 1.5</b> 1/2-20UNF	<b>106.4</b> 4.1890	<b>10.1</b> 0.398	<b>75150</b> 16830	<b>57600</b> 12870	<b>3.79</b> 8.75 8.47 8.18
<b>M12 X 1.5</b> 1/2-20UNF	<b>111.6</b> 4.3937	<b>9.8</b> 0.386	<b>86400</b> 19440	<b>64350</b> 14490	<b>4.82</b> 10.8 10.1
<b>M14 X 1.5</b> 9/16-18UNF	<b>118.2</b> 4.6535	<b>10.5</b> 0.413	<b>98100</b> 22050	<b>73800</b> 16560	<b>5.51</b> 13.3 12.4
<b>M16 X 1.5</b> 5/8-18UNF	<b>131.3</b> 5.1693	<b>11.3</b> 0.445	<b>119700</b> 26910	<b>94500</b> 21150	<b>8.95</b> 18.8 18.4 19.7 19.2



■ Set Screw Type - UC 300, RB 300 Series



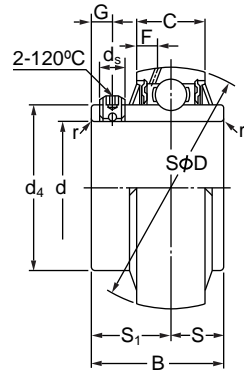
Shaft Dia. mm inch	Bearing Number		Basic Dimensions						
	UC Series	RB Series	d	D	B	C	mm rs min.	inch S	S <sub>1</sub>
<b>25</b>	<b>UC305</b>	<b>RB305</b>	<b>25</b>	<b>62</b>	<b>38</b>	<b>20</b>	<b>1.5</b>	<b>15</b>	<b>23</b>
13/16	UC305-013	RB305-013	0.8125						
7/8	UC305-014	RB305-014	0.8750	2.4409	1.4961	0.7874	0.059	0.591	0.906
15/16	UC305-015	RB305-015	0.9375						
1	UC305-100	RB305-100	1.0000						
<b>30</b>	<b>UC306</b>	<b>RB306</b>	<b>30</b>	<b>72</b>	<b>43</b>	<b>23</b>	<b>1.5</b>	<b>17</b>	<b>26</b>
1 1/16	UC306-101	RB306-101	1.0625						
1 1/8	UC306-102	RB306-102	1.1250	2.8346	1.6929	0.9055	0.059	0.669	1.024
1 3/16	UC306-103	RB306-103	1.1875						
<b>35</b>	<b>UC307</b>	<b>RB307</b>	<b>35</b>	<b>80</b>	<b>48</b>	<b>25</b>	<b>2</b>	<b>19</b>	<b>29</b>
1 1/4	UC307-104	RB307-104	1.2500						
1 5/16	UC307-105	RB307-105	1.3125	3.1496	1.8898	0.9843	0.079	0.748	1.142
1 3/8	UC307-106	RB307-106	1.3750						
1 7/16	UC307-107	RB307-107	1.4375						
<b>40</b>	<b>UC308</b>	<b>RB308</b>	<b>40</b>	<b>90</b>	<b>52</b>	<b>27</b>	<b>2</b>	<b>19</b>	<b>33</b>
1 1/2	UC308-108	RB308-108	1.5000						
1 9/16	UC308-109	RB308-109	1.5625	3.5433	2.0472	1.0630	0.079	0.748	1.299
<b>45</b>	<b>UC309</b>	<b>RB309</b>	<b>45</b>	<b>100</b>	<b>57</b>	<b>29</b>	<b>2</b>	<b>22</b>	<b>35</b>
1 5/8	UC309-110	RB309-110	1.6250						
1 11/16	UC309-111	RB309-111	1.6875	3.9370	2.2441	1.1417	0.079	0.866	1.378
1 3/4	UC309-112	RB309-112	1.7500						
<b>50</b>	<b>UC310</b>	<b>RB310</b>	<b>50</b>	<b>110</b>	<b>61</b>	<b>32</b>	<b>2.5</b>	<b>22</b>	<b>39</b>
1 13/16	UC310-113	RB310-113	1.8125						
1 7/8	UC310-114	RB310-114	1.8750	4.3307	2.4016	1.2598	0.098	0.866	1.535
1 15/16	UC310-115	RB310-115	1.9375						
<b>55</b>	<b>UC311</b>	<b>RB311</b>	<b>55</b>	<b>120</b>	<b>66</b>	<b>34</b>	<b>2.5</b>	<b>25</b>	<b>41</b>
2	UC311-200	RB311-200	2.0000						
2 1/16	UC311-201	RB311-201	2.0625	4.7244	2.5984	1.3386	0.098	0.984	1.614
2 1/8	UC311-202	RB311-202	2.1250						
2 3/16	UC311-203	RB311-203	2.1875						

				Basic Load Ratings		Mass
G	ds	d <sub>4</sub>	F	Dynamic C	Static C <sub>0</sub>	kg/lbs
<b>6</b>	<b>M6 X 0.75</b>	<b>36.8</b>	<b>5.0</b>	<b>19080</b>	<b>9810</b>	<b>0.35</b>
						0.88
0.236	1/4-28UNF	1.4488	0.197	4275	2214	0.84
						0.79
						0.77
<b>6</b>	<b>M6 X 0.75</b>	<b>44.9</b>	<b>5.9</b>	<b>24030</b>	<b>13500</b>	<b>0.56</b>
						1.34
0.236	1/4-28UNF	1.7677	0.232	5400	3060	1.28
						1.23
<b>8</b>	<b>M8 X 1</b>	<b>49.4</b>	<b>6.8</b>	<b>30150</b>	<b>17190</b>	<b>0.71</b>
						1.70
0.315	5/16-24UNF	1.9449	0.268	6750	3870	1.63
						1.57
						1.50
<b>10</b>	<b>M10 X 1.25</b>	<b>56</b>	<b>7.4</b>	<b>36450</b>	<b>21600</b>	<b>0.96</b>
						2.23
0.394	3/8-24UNF	2.2047	0.291	8235	4860	2.14
<b>10</b>	<b>M10 X 1.25</b>	<b>63.5</b>	<b>7.4</b>	<b>47700</b>	<b>28800</b>	<b>1.28</b>
						3.06
0.394	3/8-24UNF	2.5000	0.291	10710	6480	2.98
						2.87
<b>12</b>	<b>M12 X 1.5</b>	<b>70.6</b>	<b>8.1</b>	<b>55800</b>	<b>34650</b>	<b>1.65</b>
						3.95
0.472	1/2-20UNF	2.7795	0.319	12510	7740	3.84
						3.70
<b>12</b>	<b>M12 X 1.5</b>	<b>76.6</b>	<b>8.5</b>	<b>64350</b>	<b>40500</b>	<b>2.07</b>
						4.96
0.472	1/2-20UNF	3.0157	0.335	14490	9090	4.81
						4.67
						4.50

10.03

10.03

■ Set Screw Type - UC 300, RB 300 Series



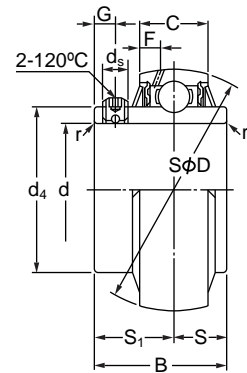
Shaft Dia. mm inch	Bearing Number		Basic Dimensions						
	UC Series	RB Series	d	D	B	C	mm rs min.	inch S	S <sub>1</sub>
<b>60</b>	<b>UC312</b>	<b>RB312</b>	<b>60</b>	<b>130</b>	<b>71</b>	<b>36</b>	<b>2.5</b>	<b>26</b>	<b>45</b>
2 1/4	UC312-204	RB312-204	2.2500						
2 5/16	UC312-205	RB312-205	2.3125	5.1181	2.7953	1.4173	0.098	1.024	1.772
2 3/8	UC312-206	RB312-206	2.3750						
2 7/16	UC312-207	RB312-207	2.4375						
<b>65</b>	<b>UC313</b>	<b>RB313</b>	<b>65</b>	<b>140</b>	<b>75</b>	<b>39</b>	<b>2.5</b>	<b>30</b>	<b>45</b>
2 1/2	UC313-208	RB313-208	2.5000	5.5118	2.9528	1.5354	0.098	1.181	1.772
2 9/16	UC313-209	RB313-209	2.5625						
<b>70</b>	<b>UC314</b>	<b>RB314</b>	<b>70</b>	<b>150</b>	<b>78</b>	<b>41</b>	<b>2.5</b>	<b>33</b>	<b>45</b>
2 5/8	UC314-210	RB314-210	2.6250						
2 11/16	UC314-211	RB314-211	2.6875	5.9055	3.0709	1.6142	0.098	1.299	1.772
2 3/4	UC314-212	RB314-212	2.7500						
<b>75</b>	<b>UC315</b>	<b>RB315</b>	<b>75</b>	<b>160</b>	<b>82</b>	<b>43</b>	<b>2.5</b>	<b>32</b>	<b>50</b>
2 13/16	UC315-213	RB315-213	2.8125						
2 7/8	UC315-214	RB315-214	2.8750	6.2992	3.2283	1.6929	0.098	1.260	1.969
2 15/16	UC315-215	RB315-215	2.9375						
3	UC315-300	RB315-300	3.0000						
<b>80</b>	<b>UC316</b>	<b>RB316</b>	<b>80</b>	<b>170</b>	<b>86</b>	<b>45</b>	<b>2.5</b>	<b>34</b>	<b>52</b>
3 1/16	UC316-301	RB316-301	3.0625						
3 1/8	UC316-302	RB316-302	3.1250	6.6929	3.3858	1.7717	0.098	1.339	2.047
3 3/16	UC316-303	RB316-303	3.1875						
<b>85</b>	<b>UC317</b>	<b>RB317</b>	<b>85</b>	<b>180</b>	<b>96</b>	<b>47</b>	<b>3</b>	<b>40</b>	<b>56</b>
3 1/4	UC317-304	RB317-304	3.2500						
3 5/16	UC317-305	RB317-305	3.3125	7.0866	3.7795	1.8504	0.118	1.575	2.205
3 7/16	UC317-307	RB317-307	3.4375						
<b>90</b>	<b>UC318</b>	<b>RB318</b>	<b>90</b>	<b>190</b>	<b>96</b>	<b>49</b>	<b>3</b>	<b>40</b>	<b>56</b>
3 7/16	UC318-307	RB218-307	3.4375	7.4803	3.7795	1.9291	0.118	1.575	2.205
3 1/2	UC318-308	RB218-308	3.5000						
<b>95</b>	<b>UC319</b>	<b>RB319</b>	<b>95</b>	<b>200</b>	<b>103</b>	<b>51</b>	<b>3</b>	<b>41</b>	<b>62</b>
3 5/8	UC319-310	RB319-310	3.6250						
3 11/16	UC319-311	RB319-311	3.6875	7.8740	4.0551	2.0079	0.118	1.614	2.441
3 3/4	UC319-312	RB319-312	3.7500						

				Basic Load Ratings		Mass
G	ds	d <sub>4</sub>	F	Dynamic C	Static C <sub>0</sub>	kg/lbs
<b>12</b>	<b>M12 X 1.5</b>	<b>82.7</b>	<b>9.0</b>	<b>73800</b>	<b>46800</b>	<b>2.60</b>
						6.06
0.472	1/2-20UNF	3.2559	0.354	16560	10530	5.89
						5.68
						5.51
<b>12</b>	<b>M12 X 1.5</b>	<b>88.2</b>	<b>10.1</b>	<b>83250</b>	<b>54000</b>	<b>3.25</b>
						7.36
0.472	1/2-20UNF	3.4724	0.398	18720	12060	7.14
<b>12</b>	<b>M12 X 1.5</b>	<b>94.8</b>	<b>10.5</b>	<b>93600</b>	<b>61200</b>	<b>3.89</b>
						9.06
0.472	1/2-20UNF	3.7323	0.413	21060	13770	8.82
						8.60
<b>14</b>	<b>M14 X 1.5</b>	<b>101.3</b>	<b>11.0</b>	<b>101700</b>	<b>69300</b>	<b>4.72</b>
						11.0
0.551	9/16-18UNF	3.9882	0.433	22950	15660	10.7
						10.5
						10.2
<b>14</b>	<b>M14 X 1.5</b>	<b>107.9</b>	<b>11.4</b>	<b>110700</b>	<b>77850</b>	<b>5.55</b>
						12.6
0.551	9/16-18UNF	4.248	0.449	24840	17550	12.3
						12.1
<b>16</b>	<b>M16 X 1.5</b>	<b>114.4</b>	<b>12.0</b>	<b>119700</b>	<b>87300</b>	<b>6.67</b>
						15.2
0.630	5/8-18UNF	4.5039	0.472	26820	19620	14.9
						14.2
<b>16</b>	<b>M16 X 1.5</b>	<b>120.9</b>	<b>12.3</b>	<b>128700</b>	<b>96300</b>	<b>7.56</b>
						17.3
0.630	5/8-18UNF	4.7598	0.484	28800	21690	16.9
<b>16</b>	<b>M16 X 1.5</b>	<b>127.5</b>	<b>12.8</b>	<b>137700</b>	<b>107100</b>	<b>8.70</b>
						19.9
0.630	5/8-18UNF	5.0197	0.504	31050	23940	19.5
						19.1

10.03

10.03

■ Set Screw Type - UC 300, RB 300 Series

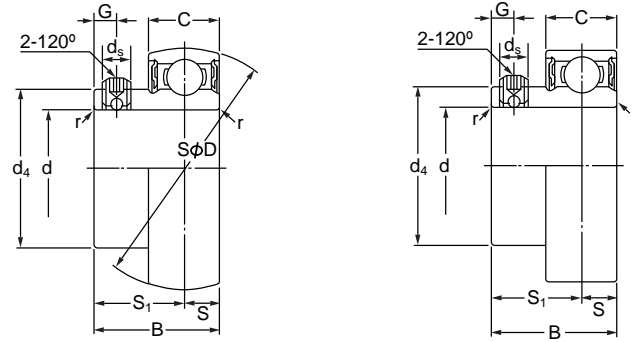


Shaft Dia.	Bearing Number		Basic Dimensions						
	UC Series	RB Series	d	D	B	C	mm rs min.	inch S	S <sub>1</sub>
<b>100</b>	<b>UC320</b>	<b>RB320</b>	<b>100</b>	<b>215</b>	<b>108</b>	<b>55</b>	<b>3</b>	<b>42</b>	<b>66</b>
3 13/16	UC320-313	RB320-313	3.8125						
3 7/8	UC320-314	RB320-314	3.8750	8.4646	4.2520	2.1654	0.118	1.654	2.598
3 15/16	UC320-315	RB320-315	3.9375						
4	UC320-400	RB320-400	4.0000						
<b>105</b>	<b>UC321</b>	<b>RB321</b>	<b>105</b>	<b>225</b>	<b>112</b>	<b>57</b>	<b>3</b>	<b>44</b>	<b>68</b>
<b>110</b>	<b>UC322</b>	<b>RB322</b>	<b>110</b>	<b>240</b>	<b>117</b>	<b>59</b>	<b>3</b>	<b>46</b>	<b>71</b>
<b>120</b>	<b>UC324</b>	<b>RB324</b>	<b>120</b>	<b>260</b>	<b>126</b>	<b>63</b>	<b>3</b>	<b>51</b>	<b>75</b>
<b>130</b>	<b>UC326</b>	<b>RB326</b>	<b>130</b>	<b>280</b>	<b>135</b>	<b>67</b>	<b>4</b>	<b>54</b>	<b>81</b>
<b>140</b>	<b>UC328</b>	<b>RB328</b>	<b>140</b>	<b>300</b>	<b>145</b>	<b>71</b>	<b>4</b>	<b>59</b>	<b>86</b>

G	ds	d <sub>4</sub>	F	Basic Load Ratings		Mass
				Dynamic C	Static C <sub>0</sub>	kg/lbs
<b>18</b>	<b>M18 X 1.5</b>	<b>135.6</b>	<b>13.5</b>	<b>155700</b>	<b>126900</b>	<b>10.8</b>
						24.7
0.709	5/8-18UNF	5.3386	0.531	35100	28350	24.2
						23.8
						23.4
<b>18</b>	<b>M18 X 1.5</b>	<b>142.1</b>	<b>13.9</b>	<b>165600</b>	<b>137700</b>	<b>12.2</b>
<b>18</b>	<b>M18 X 1.5</b>	<b>151.7</b>	<b>13.9</b>	<b>184500</b>	<b>161100</b>	<b>14.3</b>
<b>18</b>	<b>M18 X 1.5</b>	<b>165.2</b>	<b>16.0</b>	<b>186300</b>	<b>166500</b>	<b>18.5</b>
<b>20</b>	<b>M20 X 1.5</b>	<b>178.3</b>	<b>16.9</b>	<b>206100</b>	<b>192600</b>	<b>23.0</b>
<b>20</b>	<b>M20 X 1.5</b>	<b>190.4</b>	<b>17.7</b>	<b>227700</b>	<b>221400</b>	<b>28.5</b>



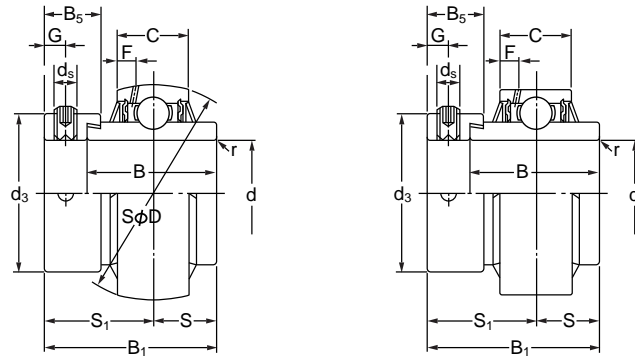
■ Set Screw Type - AS 200 Series, ASS 200 Series



Shaft Dia. mm inch	Bearing Number		Basic Dimensions						
	AS Series	ASS Series	d	D	B	C	mm rs min.	inch S	S <sub>1</sub>
<b>12</b> 1/2	<b>AS201</b> AS201-008	<b>ASS201</b> ASS201-008	<b>12</b> 0.5000	<b>40</b> 1.5748	<b>22</b> 0.8661	<b>12</b> 0.4724	<b>0.6</b> 0.024	<b>6</b> 0.236	<b>16</b> 0.630
<b>15</b> 9/16 5/8	<b>AS202</b> AS202-009 AS202-010	<b>ASS202</b> ASS202-009 ASS202-010	<b>15</b> 0.5625 0.6250	<b>40</b> 1.5748	<b>22</b> 0.8661	<b>12</b> 0.4724	<b>0.6</b> 0.024	<b>6</b> 0.236	<b>16</b> 0.630
<b>17</b> 11/16	<b>AS203</b> AS203-011	<b>ASS203</b> ASS203-011	<b>17</b> 0.6875	<b>40</b> 1.5748	<b>22</b> 0.8661	<b>12</b> 0.4724	<b>0.6</b> 0.024	<b>6</b> 0.236	<b>16</b> 0.630
<b>20</b> 3/4	<b>AS204</b> AS204-012	<b>ASS204</b> ASS204-012	<b>20</b> 0.7500	<b>47</b> 1.8504	<b>25</b> 0.9843	<b>14</b> 0.5512	<b>1</b> 0.039	<b>7</b> 0.276	<b>18</b> 0.709
<b>25</b> 13/16 7/8 15/16 1	<b>AS205</b> AS205-013 AS205-014 AS205-015 AS205-100	<b>ASS205</b> ASS205-013 ASS205-014 ASS205-015 ASS205-100	<b>25</b> 0.8125 0.8750 0.9375 1.0000	<b>52</b> 2.0472	<b>27</b> 1.0630	<b>15</b> 0.5906	<b>1</b> 0.039	<b>7.5</b> 0.295	<b>19.5</b> 0.768
<b>30</b> 1 1/16 1 1/8 1 3/16 1 1/4	<b>AS206</b> AS206-101 AS206-102 AS206-103 AS206-104	<b>ASS206</b> ASS206-101 ASS206-102 ASS206-103 ASS206-104	<b>30</b> 1.0625 1.1250 1.1875 1.2500	<b>62</b> 2.4409	<b>29</b> 1.1417	<b>16</b> 0.6299	<b>1</b> 0.039	<b>8</b> 0.315	<b>21</b> 0.827
<b>35</b> 1 1/4 1 5/16 1 3/8 1 7/16	<b>AS207</b> AS207-104 AS207-105 AS207-106 AS207-107	<b>ASS207</b> ASS207-104 ASS207-105 ASS207-106 ASS207-107	<b>35</b> 1.2500 1.3125 1.3750 1.4375	<b>72</b> 2.8346	<b>34</b> 1.3386	<b>17</b> 0.6693	<b>1.5</b> 0.059	<b>8.5</b> 0.335	<b>25.5</b> 1.004
<b>40</b> 1 1/2 1 9/16	<b>AS208</b> AS208-108 AS208-109	<b>ASS208</b> ASS208-108 ASS208-109	<b>40</b> 1.5000 1.5625	<b>80</b> 3.1496	<b>38</b> 1.4961	<b>18</b> 0.7087	<b>1.5</b> 0.059	<b>9</b> 0.354	<b>29</b> 1.142

			Basic Load Ratings		Mass
G	d <sub>s</sub>	d <sub>4</sub>	Dynamic C	Static C <sub>0</sub>	kg/lbs
<b>4.2</b> 0.165	<b>M5 X 0.8</b> No.10-32UNF	<b>24.3</b> 0.957	<b>8640</b> 1944	<b>4140</b> 927	<b>0.10</b> 0.22
<b>4.2</b> 0.165	<b>M5 X 0.8</b> No.10-32UNF	<b>24.3</b> 0.957	<b>8640</b> 1944	<b>4140</b> 927	<b>0.09</b> 0.21 0.20
<b>4.2</b> 0.165	<b>M5 X 0.8</b> No.10-32UNF	<b>24.3</b> 0.957	<b>8640</b> 1944	<b>4140</b> 927	<b>0.08</b> 0.18
<b>4.2</b> 0.165	<b>M5 X 0.8</b> No.10-32UNF	<b>29.6</b> 1.165	<b>11520</b> 2601	<b>5985</b> 1350	<b>0.13</b> 0.29
<b>5</b> 0.197	<b>M5 X 0.8</b> No.10-32UNF	<b>33.9</b> 1.335	<b>12600</b> 2835	<b>7065</b> 1593	<b>0.16</b> 0.42 0.40 0.38 0.35
<b>5</b> 0.197	<b>M6 X 0.75</b> 1/4-28UNF	<b>40.8</b> 1.606	<b>17550</b> 3960	<b>10170</b> 2286	<b>0.25</b> 0.61 0.59 0.57 0.55
<b>6</b> 0.236	<b>M6 X 0.75</b> 1/4-28UNF	<b>46.8</b> 1.843	<b>23130</b> 5175	<b>13770</b> 3105	<b>0.37</b> 1.06 0.93 0.81 0.69
<b>8</b> 0.315	<b>M8 X 1</b> 5/16-24UNF	<b>53</b> 2.087	<b>26190</b> 5895	<b>16020</b> 3600	<b>0.5</b> 1.15 1.06

■ Eccentric Locking Collor Type - UEL 200, UELS 200 Series



Shaft Dia. mm inch	Bearing Number		Basic Dimensions						
	UEL Series	UELS Series	d	D	B <sub>1</sub>	B	C	r <sub>s</sub> min.	S
<b>20</b> 3/4	<b>UEL204</b> UEL204-012	<b>UELS204</b> UELS204-012	<b>20</b> 0.7500	<b>47</b> 1.8504	<b>43.7</b> 1.720	<b>34.2</b> 1.3465	<b>17</b> 0.6693	<b>1</b> 0.039	<b>17.1</b> 0.673
<b>25</b> 13/16 7/8 15/16 1	<b>UEL205</b> UEL205-013 UEL205-014 UEL205-015 UEL205-100	<b>UELS205</b> UELS205-013 UELS205-014 UELS205-015 UELS205-100	<b>25</b> 0.8125 0.8750 0.9375 1.0000	<b>52</b> 2.0472	<b>44.4</b> 1.748	<b>34.9</b> 1.3740	<b>17</b> 0.6693	<b>1</b> 0.039	<b>17.5</b> 0.689
<b>30</b> 1 1/16 1 1/8 1 3/16 1 1/4	<b>UEL206</b> UEL206-101 UEL206-102 UEL206-103 UEL206-104	<b>UELS206</b> UELS206-101 UELS206-102 UELS206-103 UELS206-104	<b>30</b> 1.0625 1.1250 1.1875 1.2500	<b>62</b> 2.4409	<b>48.4</b> 1.906	<b>36.5</b> 1.4370	<b>19</b> 0.7480	<b>1</b> 0.039	<b>18.3</b> 0.720
<b>35</b> 1 1/4 1 5/16 1 3/8 1 7/16	<b>UEL207</b> UEL207-104 UEL207-105 UEL207-106 UEL207-107	<b>UELS207</b> UELS207-104 UELS207-105 UELS207-106 UELS207-107	<b>35</b> 1.2500 1.3125 1.3750 1.4375	<b>72</b> 2.8346	<b>51.1</b> 2.012	<b>37.6</b> 1.4803	<b>20</b> 0.7874	<b>1.5</b> 0.059	<b>18.8</b> 0.740
<b>40</b> 1 1/2 1 9/16	<b>UEL208</b> UEL208-108 UEL208-109	<b>UELS208</b> UELS208-108 UELS208-109	<b>40</b> 1.5000 1.5625	<b>80</b> 3.1496	<b>56.3</b> 2.217	<b>42.8</b> 1.6850	<b>21</b> 0.8268	<b>1.5</b> 0.059	<b>21.4</b> 0.843
<b>45</b> 1 5/8 1 11/16 1 3/4	<b>UEL209</b> UEL209-110 UEL209-111 UEL209-112	<b>UELS209</b> UELS209-110 UELS209-111 UELS209-112	<b>45</b> 1.6250 1.6875 1.7500	<b>85</b> 3.3465	<b>56.3</b> 2.217	<b>42.8</b> 1.6850	<b>22</b> 0.8661	<b>1.5</b> 0.059	<b>21.4</b> 0.843
<b>50</b> 1 13/16 1 7/8 1 15/16 2	<b>UEL210</b> UEL210-113 UEL210-114 UEL210-115 UEL210-200	<b>UELS210</b> UELS210-113 UELS210-114 UELS210-115 UELS210-200	<b>50</b> 1.8125 1.8750 1.9375 2.0000	<b>90</b> 3.5433	<b>62.7</b> 2.469	<b>49.2</b> 1.9370	<b>24</b> 0.9449	<b>1.5</b> 0.059	<b>24.6</b> 0.969

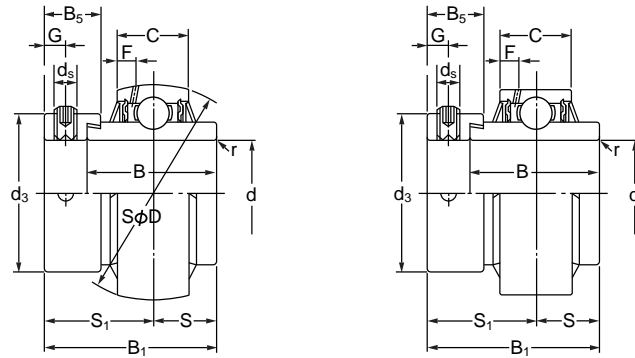
						Basic Load Ratings		Mass
S <sub>1</sub>	G	d <sub>s</sub>	d <sub>3</sub>	B <sub>5</sub>	F	Dynamic C	Static C <sub>0</sub>	kg/lbs
<b>26.6</b> 1.047	<b>4.8</b> 0.189	<b>M6 X 0.75</b> 1/4-28UNF	<b>33</b> 1.299	<b>13.5</b> 0.531	<b>4.7</b> 0.185	<b>11520</b> 2601	<b>5985</b> 1350	<b>0.23</b> 0.45
<b>26.9</b> 1.059	<b>4.8</b> 0.189	<b>M6 X 0.75</b> 1/4-28UNF	<b>38</b> 1.496	<b>13.5</b> 0.531	<b>4.5</b> 0.177	<b>12600</b> 2835	<b>7065</b> 1593	<b>0.27</b> 0.61 0.58 0.55 0.51
<b>30.1</b> 1.185	<b>6</b> 0.236	<b>M8 X 1</b> 5/16-24UNF	<b>44.5</b> 1.752	<b>15.9</b> 0.626	<b>4.6</b> 0.181	<b>17550</b> 3960	<b>10170</b> 2286	<b>0.45</b> 0.94 0.89 0.84 0.80
<b>32.3</b> 1.272	<b>6.8</b> 0.268	<b>M10 X 1.25</b> 3/8-24UNF	<b>55.5</b> 2.185	<b>17.5</b> 0.689	<b>4.6</b> 0.181	<b>23130</b> 5175	<b>13770</b> 3105	<b>0.60</b> 1.45 1.40 1.35 1.28
<b>34.9</b> 1.374	<b>6.8</b> 0.268	<b>M10 X 1.25</b> 3/8-24UNF	<b>60</b> 2.362	<b>18.3</b> 0.720	<b>4.5</b> 0.177	<b>26190</b> 5895	<b>16020</b> 3600	<b>0.79</b> 1.90 1.82
<b>34.9</b> 1.374	<b>6.8</b> 0.268	<b>M10 X 1.25</b> 3/8-24UNF	<b>63.5</b> 2.500	<b>18.3</b> 0.720	<b>4.9</b> 0.193	<b>29250</b> 6615	<b>18360</b> 4140	<b>0.85</b> 2.05 1.97 1.88
<b>38.1</b> 1.500	<b>6.8</b> 0.268	<b>M10 X 1.25</b> 3/8-24UNF	<b>69.5</b> 2.736	<b>18.3</b> 0.720	<b>5.9</b> 0.232	<b>31500</b> 7110	<b>20880</b> 4680	<b>0.98</b> 2.46 2.36 2.25 2.09

10.05

# Ball Bearing Insert



■ Eccentric Locking Collor Type - UEL 200, UELS 200 Series



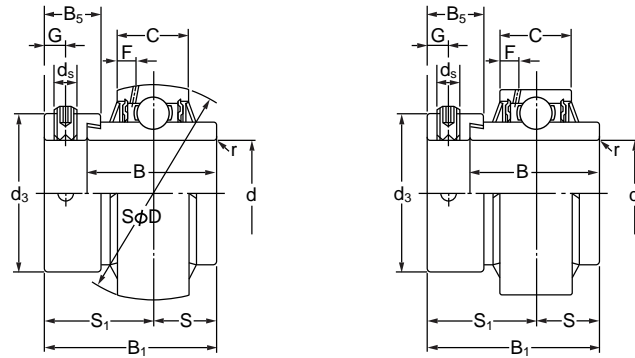
Shaft Dia. mm inch	Bearing Number		Basic Dimensions						
	UEL Series	UELS Series	d	D	B <sub>1</sub>	B	C mm inch	r <sub>s</sub> min.	S
<b>55</b>	<b>UEL211</b>	<b>UELS211</b>	<b>55</b>	<b>100</b>	<b>71.4</b>	<b>55.5</b>	<b>25</b>	<b>2</b>	<b>27.8</b>
2	UEL211-200	UELS211-200	2.0000						
2 1/16	UEL211-201	UELS211-201	2.0625	3.9370	2.811	2.1850	0.9843	0.079	1.094
2 1/8	UEL211-202	UELS211-202	2.1250						
2 3/16	UEL211-203	UELS211-203	2.1875						
<b>60</b>	<b>UEL212</b>	<b>UELS212</b>	<b>60</b>	<b>110</b>	<b>77.8</b>	<b>61.9</b>	<b>27</b>	<b>2</b>	<b>31</b>
2 1/4	UEL212-204	UELS212-204	2.2500						
2 5/16	UEL212-205	UELS212-205	2.3125	4.3307	3.063	2.4370	1.0630	0.079	1.220
2 3/8	UEL212-206	UELS212-206	2.3750						
2 7/16	UEL212-207	UELS212-207	2.4375						
<b>65</b>	<b>UEL213</b>	<b>UELS213</b>	<b>65</b>	<b>120</b>	<b>85.7</b>	<b>68.3</b>	<b>32</b>	<b>2</b>	<b>34.15</b>
2 1/2	UEL213-208	UELS213-208	2.5000	4.7244	3.374	2.6890	1.2598	0.079	1.344
2 9/16	UEL213-209	UELS213-209	2.5625						
<b>70</b>	<b>UEL214</b>	<b>UELS214</b>	<b>70</b>	<b>125</b>	<b>85.7</b>	<b>68.3</b>	<b>33</b>	<b>2</b>	<b>34.15</b>
2 5/8	UEL214-210	UELS214-210	2.6250						
2 11/16	UEL214-211	UELS214-211	2.6875	4.9213	3.374	2.6890	1.2992	0.079	1.344
2 3/4	UEL214-212	UELS214-212	2.7500						
<b>75</b>	<b>UEL215</b>	<b>UELS215</b>	<b>75</b>	<b>130</b>	<b>92</b>	<b>74.6</b>	<b>34</b>	<b>2</b>	<b>37.3</b>
2 13/16	UEL215-213	UELS215-213	2.8125						
2 7/8	UEL215-214	UELS215-214	2.8750	5.1181	3.622	2.9370	1.3386	0.079	1.469
2 15/16	UEL215-215	UELS215-215	2.9375						
3	UEL215-300	UELS215-300	3.0000						



# Ball Bearing Insert

						Basic Load Ratings		Mass
S <sub>1</sub>	G	ds	d <sub>3</sub>	B <sub>5</sub>	F	Dynamic C	Static C <sub>0</sub>	kg/lbs
<b>43.6</b>	<b>8</b>	<b>M10 X 1.25</b>	<b>76</b>	<b>20.7</b>	<b>6.0</b>	<b>39150</b>	<b>26280</b>	<b>1.32</b>
								3.28
1.717	0.315	3/8-24UNF	2.992	0.815	0.236	8775	5895	3.12
								3.02
								2.90
<b>46.8</b>	<b>8</b>	<b>M10 X 1.25</b>	<b>84</b>	<b>22.3</b>	<b>6.2</b>	<b>47250</b>	<b>32400</b>	<b>1.87</b>
								4.38
1.843	0.315	3/8-24UNF	3.307	0.878	0.244	10620	7335	4.22
								4.05
								3.88
<b>51.55</b>	<b>8.7</b>	<b>M10 X 1.25</b>	<b>97</b>	<b>23.8</b>	<b>8.7</b>	<b>51750</b>	<b>36000</b>	<b>2.48</b>
								5.47
2.030	0.343	3/8-24UNF	3.819	0.937	0.343	11610	8100	5.30
								5.18
<b>51.55</b>	<b>8.7</b>	<b>M10 X 1.25</b>	<b>97</b>	<b>23.8</b>	<b>8.8</b>	<b>55800</b>	<b>39600</b>	<b>2.47</b>
								5.67
2.030	0.343	3/8-24UNF	3.819	0.937	0.346	12600	8910	5.45
								5.18
<b>54.7</b>	<b>8.7</b>	<b>M10 X 1.25</b>	<b>102</b>	<b>23.8</b>	<b>9.0</b>	<b>59400</b>	<b>44550</b>	<b>2.68</b>
								6.39
2.154	0.343	3/8-24UNF	4.016	0.937	0.354	13410	9990	6.15
								5.91
								5.60

■ Eccentric Locking Collor Type - UEL 300, UELS 300 Series



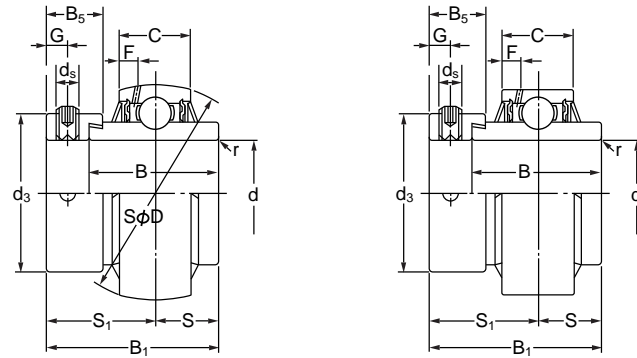
Shaft Dia. mm inch	Bearing Number		Basic Dimensions						
	UEL Series	UELS Series	d	D	B <sub>1</sub>	B	C	r <sub>s</sub> min.	S
<b>25</b>	<b>UEL305</b>	<b>UELS305</b>	<b>25</b>	<b>62</b>	<b>46.8</b>	<b>34.9</b>	<b>20</b>	<b>1.5</b>	<b>16.7</b>
13/16	UEL305-013	UELS305-013	0.8125						
7/8	UEL305-014	UELS305-014	0.8750	2.4409	1.843	1.3740	0.7874	0.059	0.657
15/16	UEL305-015	UELS305-015	0.9375						
1	UEL305-100	UELS305-100	1.0000						
<b>30</b>	<b>UEL306</b>	<b>UELS306</b>	<b>30</b>	<b>72</b>	<b>50</b>	<b>36.5</b>	<b>23</b>	<b>1.5</b>	<b>17.5</b>
1 1/16	UEL306-101	UELS306-101	1.0625						
1 1/8	UEL306-102	UELS306-102	1.1250	2.8346	1.969	1.4370	0.9055	0.059	0.689
1 3/16	UEL306-103	UELS306-103	1.1875						
<b>35</b>	<b>UEL307</b>	<b>UELS307</b>	<b>35</b>	<b>80</b>	<b>51.6</b>	<b>38.1</b>	<b>25</b>	<b>2</b>	<b>18.3</b>
1 1/4	UEL307-104	UELS307-104	1.2500						
1 5/16	UEL307-105	UELS307-105	1.3125	3.1496	2.031	1.5000	0.9843	0.079	0.720
1 3/8	UEL307-106	UELS307-106	1.3750						
1 7/16	UEL307-107	UELS307-107	1.4375						
<b>40</b>	<b>UEL308</b>	<b>UELS308</b>	<b>40</b>	<b>90</b>	<b>57.1</b>	<b>41.3</b>	<b>27</b>	<b>2</b>	<b>19.8</b>
1 1/2	UEL308-108	UELS308-108	1.5000	3.5433	2.248	1.6260	1.0630	0.079	0.780
1 9/16	UEL308-109	UELS308-109	1.5625						
<b>45</b>	<b>UEL309</b>	<b>UELS309</b>	<b>45</b>	<b>100</b>	<b>58.7</b>	<b>42.9</b>	<b>29</b>	<b>2</b>	<b>19.8</b>
1 5/8	UEL309-110	UELS309-110	1.6250						
1 11/16	UEL309-111	UELS309-111	1.6875	3.9370	2.311	1.6890	1.1417	0.079	0.780
1 3/4	UEL309-112	UELS309-112	1.7500						
<b>50</b>	<b>UEL310</b>	<b>UELS310</b>	<b>50</b>	<b>110</b>	<b>66.6</b>	<b>49.2</b>	<b>32</b>	<b>2.5</b>	<b>24.6</b>
1 13/16	UEL310-113	UELS310-113	1.8125						
1 7/8	UEL310-114	UELS310-114	1.8750	4.3307	2.622	1.9370	1.2598	0.098	0.969
1 15/16	UEL310-115	UELS310-115	1.9375						
<b>55</b>	<b>UEL311</b>	<b>UELS311</b>	<b>55</b>	<b>120</b>	<b>73</b>	<b>55.6</b>	<b>34</b>	<b>2.5</b>	<b>27.8</b>
2	UEL311-200	UELS311-200	2.0000						
2 1/16	UEL311-201	UELS311-201	2.0625	4.7244	2.874	2.1890	1.3386	0.098	1.094
2 1/8	UEL311-202	UELS311-202	2.1250						
2 3/16	UEL311-203	UELS311-203	2.1875						

						Basic Load Ratings		Mass
S <sub>1</sub>	G	ds	d <sub>3</sub>	B <sub>5</sub>	F	Dynamic C	Static C <sub>0</sub>	kg/lbs
<b>30.1</b>	<b>6</b>	<b>M8 X 1</b>	<b>42.8</b>	<b>15.9</b>	<b>5.0</b>	<b>19080</b>	<b>9810</b>	<b>0.43</b>
								1.09
1.185	0.236	5/16-24UNF	1.685	0.626	0.197	4275	2214	1.05
								1.01
								0.96
<b>32.5</b>	<b>6.7</b>	<b>M8 X 1</b>	<b>50</b>	<b>17.5</b>	<b>5.9</b>	<b>24030</b>	<b>13500</b>	<b>0.69</b>
								1.57
1.280	0.264	5/16-24UNF	1.969	0.689	0.232	5400	3060	1.51
								1.45
<b>33.3</b>	<b>6.7</b>	<b>M8 X 1</b>	<b>55</b>	<b>17.5</b>	<b>6.8</b>	<b>30150</b>	<b>17190</b>	<b>0.80</b>
								1.92
1.311	0.264	5/16-24UNF	2.165	0.689	0.268	6750	3870	1.84
								1.77
								1.69
<b>37.3</b>	<b>8</b>	<b>M10 X 1.25</b>	<b>63.5</b>	<b>20.6</b>	<b>7.4</b>	<b>36450</b>	<b>21600</b>	<b>1.08</b>
								2.58
1.469	0.315	3/8-24UNF	2.500	0.811	0.291	8235	4860	2.49
								2.49
<b>38.9</b>	<b>8</b>	<b>M10 X 1.25</b>	<b>70</b>	<b>20.6</b>	<b>7.4</b>	<b>47700</b>	<b>28800</b>	<b>1.45</b>
								3.36
1.531	0.315	3/8-24UNF	2.756	0.811	0.291	10710	6480	3.26
								3.15
<b>42</b>	<b>8.7</b>	<b>M10 X 1.25</b>	<b>76.2</b>	<b>22.2</b>	<b>8.1</b>	<b>55800</b>	<b>34650</b>	<b>1.86</b>
								4.40
1.654	0.343	3/8-24UNF	3.000	0.874	0.319	12510	7740	4.29
								4.15
<b>45.2</b>	<b>8.7</b>	<b>M10 X 1.25</b>	<b>83</b>	<b>22.2</b>	<b>8.5</b>	<b>64350</b>	<b>40500</b>	<b>2.34</b>
								5.58
1.780	0.343	3/8-24UNF	3.268	0.874	0.335	14490	9090	5.39
								5.25
								5.08

# Ball Bearing Insert



■ Eccentric Locking Collor Type - UEL 300, UELS 300 Series



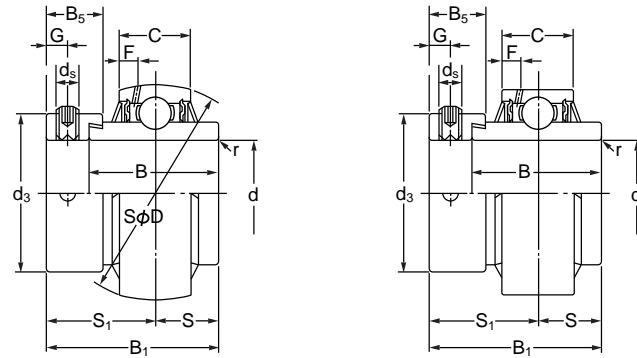
Shaft Dia. mm inch	Bearing Number		Basic Dimensions						
	UEL Series	UELS Series	d	D	B <sub>1</sub>	B	C	rs min.	S
<b>60</b> 2 1/4 2 5/16 2 3/8 2 7/16	<b>UEL312</b> UEL312-204 UEL312-205 UEL312-206 UEL312-207	<b>UELS312</b> UELS312-204 UELS312-205 UELS312-206 UELS312-207	<b>60</b> 2.2500 2.3125 2.3750 2.4375	<b>130</b> 5.1181	<b>79.4</b> 3.126	<b>61.9</b> 2.4370	<b>36</b> 1.4173	<b>2.5</b> 0.098	<b>30.95</b> 1.219
<b>65</b> 2 1/2 2 9/16	<b>UEL313</b> UEL313-208 UEL313-209	<b>UELS313</b> UELS313-208 UELS313-209	<b>65</b> 2.5000 2.5625	<b>140</b> 5.5118	<b>85.7</b> 3.374	<b>65.1</b> 2.5630	<b>39</b> 1.5354	<b>2.5</b> 0.098	<b>32.55</b> 1.281
<b>70</b> 2 5/8 2 11/16 2 3/4	<b>UEL314</b> UEL314-210 UEL314-211 UEL314-212	<b>UELS314</b> UELS314-210 UELS314-211 UELS314-212	<b>70</b> 2.6250 2.6875 2.7500	<b>150</b> 5.9055	<b>92.1</b> 3.626	<b>68.3</b> 2.6890	<b>41</b> 1.6142	<b>2.5</b> 0.098	<b>34.15</b> 1.344
<b>75</b> 2 13/16 2 7/8 2 15/16 3	<b>UEL315</b> UEL315-213 UEL315-214 UEL315-215 UEL315-300	<b>UELS315</b> UELS315-213 UELS315-214 UELS315-215 UELS315-300	<b>75</b> 2.8125 2.8750 2.9375 3.0000	<b>160</b> 6.2992	<b>100</b> 3.937	<b>74.6</b> 2.9370	<b>43</b> 1.6929	<b>2.5</b> 0.098	<b>37.3</b> 1.469
<b>80</b> 3 1/16 3 1/8 3 3/16	<b>UEL316</b> UEL316-301 UEL316-302 UEL316-303	<b>UELS316</b> UELS316-301 UELS316-302 UELS316-303	<b>80</b> 3.0625 3.1250 3.1875	<b>170</b> 6.6929	<b>106.4</b> 4.189	<b>81</b> 3.1890	<b>45</b> 1.7717	<b>2.5</b> 0.098	<b>40.5</b> 1.594
<b>85</b> 3 1/4 3 5/16 3 7/16	<b>UEL317</b> UEL317-304 UEL317-305 UEL317-307	<b>UELS317</b> UELS317-304 UELS317-305 UELS317-307	<b>85</b> 3.2500 3.3125 3.4375	<b>180</b> 7.0866	<b>109.5</b> 4.311	<b>84.1</b> 3.3110	<b>47</b> 1.8504	<b>3</b> 0.118	<b>42.05</b> 1.656
<b>90</b> 3 7/16 3 1/2	<b>UEL318</b> UEL318-307 UEL318-308	<b>UELS318</b> UELS318-307 UELS318-308	<b>90</b> 3.4375 3.5000	<b>190</b> 7.4803	<b>115.9</b> 4.563	<b>87.3</b> 3.4370	<b>49</b> 1.9291	<b>3</b> 0.118	<b>43.65</b> 1.719
<b>95</b> 3 5/8 3 11/16 3 3/4	<b>UEL319</b> UEL319-310 UEL319-311 UEL319-312	<b>UELS319</b> UELS319-310 UELS319-311 UELS319-312	<b>95</b> 3.6250 3.6875 3.7500	<b>200</b> 7.8740	<b>122.3</b> 4.815	<b>93.7</b> 3.6890	<b>51</b> 2.0079	<b>3</b> 0.118	<b>38.9</b> 1.531



# Ball Bearing Insert

						Basic Load Ratings		Mass
S <sub>1</sub>	G	ds	d <sub>3</sub>	B <sub>5</sub>	F	Dynamic C	Static C <sub>0</sub>	kg/lbs
<b>48.45</b> 1.907	<b>8.7</b> 0.343	<b>M10 X 1.25</b> 3/8-24UNF	<b>89</b> 3.504	<b>23.9</b> 0.941	<b>9.0</b> 0.354	<b>73800</b> 16560	<b>46800</b> 10530	<b>2.94</b> 6.80 6.65 6.48 6.19
<b>53.15</b> 2.093	<b>10.3</b> 0.406	<b>M12 X 1.5</b> 1/2-20UNF	<b>97</b> 3.819	<b>27</b> 1.063	<b>10.1</b> 0.398	<b>83250</b> 18720	<b>54000</b> 12060	<b>3.67</b> 8.49 8.27
<b>57.95</b> 2.281	<b>10.3</b> 0.406	<b>M12 X 1.5</b> 1/2-20UNF	<b>102</b> 4.016	<b>30.2</b> 1.189	<b>10.5</b> 0.413	<b>93600</b> 21060	<b>61200</b> 13770	<b>4.40</b> 10.4 10.2 9.96
<b>62.7</b> 2.469	<b>12.7</b> 0.500	<b>M16 X 1.5</b> 5/8-18UNF	<b>113</b> 4.449	<b>31.8</b> 1.252	<b>11.0</b> 0.433	<b>101700</b> 22950	<b>69300</b> 15660	<b>5.34</b> 13.2 12.9 12.7 12.5
<b>65.9</b> 2.594	<b>12.7</b> 0.500	<b>M16 X 1.5</b> 5/8-18UNF	<b>119</b> 4.685	<b>31.8</b> 1.252	<b>11.4</b> 0.449	<b>110700</b> 24840	<b>77850</b> 17550	<b>6.70</b> 14.9 14.8 14.6
<b>67.45</b> 2.656	<b>12.7</b> 0.500	<b>M16 X 1.5</b> 5/8-18UNF	<b>127</b> 5.000	<b>31.8</b> 1.252	<b>12.0</b> 0.472	<b>119700</b> 26820	<b>87300</b> 19620	<b>8.00</b> 18.0 17.7 17.0
<b>72.25</b> 2.844	<b>14.3</b> 0.563	<b>M20 X 1.5</b> 3/4-16UNF	<b>133</b> 5.236	<b>36.5</b> 1.437	<b>12.3</b> 0.484	<b>128700</b> 28800	<b>96300</b> 21690	<b>9.10</b> 20.7 20.2
<b>83.4</b> 3.283	<b>14.3</b> 0.563	<b>M20 X 1.5</b> 3/4-16UNF	<b>140</b> 5.512	<b>36.5</b> 1.437	<b>12.8</b> 0.504	<b>137700</b> 31050	<b>107100</b> 23940	<b>10.4</b> 23.4 23.0 22.6

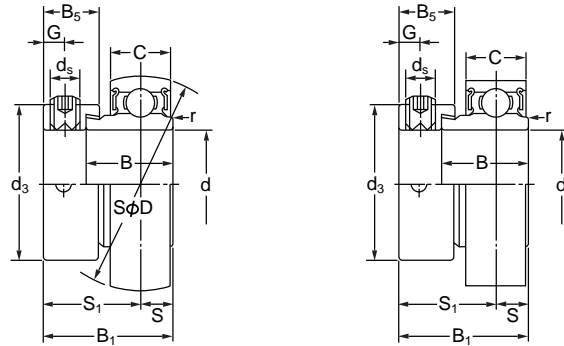
■ Eccentric Locking Collor Type - UEL 300, UELS 300 Series



Shaft Dia.	Bearing Number		Basic Dimensions						
	UEL Series	UELS Series	d	D	B <sub>1</sub>	B	C	r <sub>s</sub> min.	S
<b>100</b>	<b>UEL320</b>	<b>UELS320</b>	<b>100</b>	<b>215</b>	<b>128.6</b>	<b>100</b>	<b>55</b>	<b>3</b>	<b>50</b>
3 13/16	UEL320-313	UELS320-313	3.8125						
3 7/8	UEL320-314	UELS320-314	3.8750	8.4646	5.063	3.9370	2.1654	0.118	1.969
3 15/16	UEL320-315	UELS320-315	3.9375						
4	UEL320-400	UELS320-400	4.0000						
<b>105</b>	<b>UEL321</b>	<b>UELS321</b>	<b>105</b>	<b>225</b>	<b>139.7</b>	<b>104.8</b>	<b>57</b>	<b>3</b>	<b>48.4</b>
<b>110</b>	<b>UEL322</b>	<b>UELS322</b>	<b>110</b>	<b>240</b>	<b>141.3</b>	<b>106.4</b>	<b>59</b>	<b>3</b>	<b>49.2</b>

						Basic Load Ratings		Mass
S <sub>1</sub>	G	d <sub>s</sub>	d <sub>3</sub>	B <sub>5</sub>	F	Dynamic C	Static C <sub>0</sub>	kg/lbs
<b>78.6</b>	<b>14.3</b>	<b>M20 X 1.5</b>	<b>146</b>	<b>36.5</b>	<b>13.5</b>	<b>155700</b>	<b>126900</b>	<b>12.5</b> 28.5
3.094	0.563	3/4-16UNF	5.748	1.437	0.531	35100	28350	28.0 27.6 27.0
<b>91.3</b>	<b>17.5</b>	<b>M20 X 1.5</b>	<b>157</b>	<b>42.8</b>	<b>13.9</b>	<b>165600</b>	<b>137700</b>	<b>14.6</b>
<b>92.1</b>	<b>17.5</b>	<b>M20 X 1.5</b>	<b>168</b>	<b>42.8</b>	<b>13.9</b>	<b>184500</b>	<b>161100</b>	<b>17.2</b>

■ Eccentric Locking Collor Type - AEL 200, AELS 200 Series



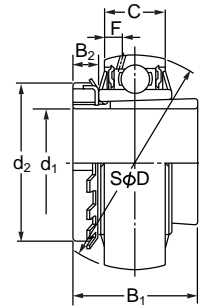
Shaft Dia. mm inch	Bearing Number		Basic Dimensions						
	AEL Series	AELS Series	d	D	B <sub>1</sub>	B	C	r <sub>s</sub> min.	S
<b>12</b> 1/2	<b>AEL201</b> AEL201-008	<b>AELS201</b> AELS201-008	<b>12</b> 0.5000	<b>40</b> 1.5748	<b>28.6</b> 1.126	<b>19</b> 0.7480	<b>12</b> 0.4724	<b>0.6</b> 0.024	<b>6.5</b> 0.256
<b>15</b> 9/16 5/8	<b>AEL202</b> AEL202-009 AEL202-010	<b>AELS202</b> AELS202-009 AELS202-010	<b>15</b> 0.5625 0.6250	<b>40</b> 1.5748	<b>28.6</b> 1.126	<b>19</b> 0.7480	<b>12</b> 0.4724	<b>0.6</b> 0.024	<b>6.5</b> 0.256
<b>17</b> 11/16	<b>AEL203</b> AEL203-011	<b>AELS203</b> AELS203-011	<b>17</b> 0.6875	<b>40</b> 1.5748	<b>28.6</b> 1.126	<b>19</b> 0.7480	<b>12</b> 0.4724	<b>0.6</b> 0.024	<b>6.5</b> 0.256
<b>20</b> 3/4	<b>AEL204</b> AEL204-012	<b>AELS204</b> AELS204-012	<b>20</b> 0.7500	<b>47</b> 1.8504	<b>31</b> 1.220	<b>21.5</b> 0.8465	<b>14</b> 0.5512	<b>1</b> 0.039	<b>7.5</b> 0.295
<b>25</b> 13/16 7/8 15/16 1	<b>AEL205</b> AEL205-013 AEL205-014 AEL205-015 AEL205-100	<b>AELS205</b> AELS205-013 AELS205-014 AELS205-015 AELS205-100	<b>25</b> 0.8125 0.8750 0.9375 1.0000	<b>52</b> 2.0472	<b>31</b> 1.220	<b>21.5</b> 0.8465	<b>15</b> 0.5906	<b>1</b> 0.039	<b>7.5</b> 0.295
<b>30</b> 1 1/16 1 1/8 1 3/16 1 1/4	<b>AEL206</b> AEL206-101 AEL206-102 AEL206-103 AEL206-104	<b>AELS206</b> AELS206-101 AELS206-102 AELS206-103 AELS206-104	<b>30</b> 1.0625 1.1250 1.1875 1.2500	<b>62</b> 2.4409	<b>35.7</b> 1.406	<b>23.8</b> 0.9370	<b>16</b> 0.6299	<b>1</b> 0.039	<b>9</b> 0.354
<b>35</b> 1 1/4 1 5/16 1 3/8 1 7/16	<b>AEL207</b> AEL207-104 AEL207-105 AEL207-106 AEL207-107	<b>AELS207</b> AELS207-104 AELS207-105 AELS207-106 AELS207-107	<b>35</b> 1.2500 1.3125 1.3750 1.4375	<b>72</b> 2.8346	<b>38.9</b> 1.531	<b>25.4</b> 1.0000	<b>17</b> 0.6693	<b>1.5</b> 0.059	<b>9.5</b> 0.374
<b>40</b> 1 1/2 1 9/16	<b>AEL208</b> AEL208-108 AEL208-109	<b>AELS208</b> AELS208-108 AELS208-109	<b>40</b> 1.5000 1.5625	<b>80</b> 3.1496	<b>43.7</b> 1.72	<b>30.2</b> 1.1890	<b>18</b> 0.7087	<b>1.5</b> 0.059	<b>11</b> 0.433

					Basic Load Ratings		Mass
S <sub>1</sub>	G	ds	d <sub>3</sub>	B <sub>5</sub>	Dynamic C	Static C <sub>0</sub>	kg/lbs
<b>22.1</b> 0.870	<b>4.8</b> 0.189	<b>M6 X 0.75</b> 1/4-28UNF	<b>29</b> 1.142	<b>13.6</b> 0.535	<b>8640</b> 1944	<b>4140</b> 927	<b>0.12</b> 0.26
<b>22.1</b> 0.870	<b>4.8</b> 0.189	<b>M6 X 0.75</b> 1/4-28UNF	<b>29</b> 1.142	<b>13.6</b> 0.535	<b>8640</b> 1944	<b>4140</b> 927	<b>0.11</b> 0.26 0.24
<b>22.1</b> 0.870	<b>4.8</b> 0.189	<b>M6 X 0.75</b> 1/4-28UNF	<b>29</b> 1.142	<b>13.6</b> 0.535	<b>8640</b> 1944	<b>4140</b> 927	<b>0.10</b> 0.23
<b>23.5</b> 0.925	<b>4.8</b> 0.189	<b>M6 X 0.75</b> 1/4-28UNF	<b>33</b> 1.299	<b>13.5</b> 0.531	<b>11520</b> 2601	<b>5985</b> 1350	<b>0.17</b> 0.35
<b>23.5</b> 0.925	<b>4.8</b> 0.189	<b>M6 X 0.75</b> 1/4-28UNF	<b>38</b> 1.496	<b>13.5</b> 0.531	<b>12600</b> 2835	<b>7065</b> 1593	<b>0.20</b> 0.51 0.48 0.45 0.42
<b>26.7</b> 1.051	<b>6</b> 0.236	<b>M8 X 1</b> 5/16-24UNF	<b>44.5</b> 1.752	<b>15.9</b> 0.626	<b>17550</b> 3960	<b>10170</b> 2286	<b>0.31</b> 0.74 0.73 0.66 0.61
<b>29.4</b> 1.157	<b>6.8</b> 0.268	<b>M10 X 1.25</b> 3/8-24UNF	<b>55.5</b> 2.185	<b>17.5</b> 0.689	<b>23130</b> 5175	<b>13770</b> 3105	<b>0.49</b> 1.15 1.10 1.04 0.98
<b>32.7</b> 1.287	<b>6.8</b> 0.268	<b>M10 X 1.25</b> 3/8-24UNF	<b>60</b> 2.362	<b>18.3</b> 0.720	<b>26190</b> 5895	<b>16020</b> 3600	<b>0.66</b> 1.41 1.34

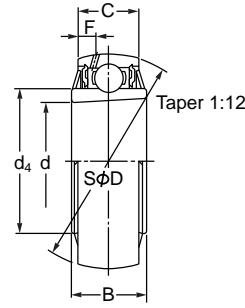
10.07

10.07

■ Adapter Type - UK 200 Series



UK2...H, HA, HE, HS



UK2

Shaft Dia. mm inch	Unit Number	Basic Dimensions							
		d	D	B	C	d <sub>4</sub>	d <sub>1</sub>	B <sub>1</sub>	B <sub>2</sub>
<b>20</b> 3/4	<b>UK205 ; H2305</b> UK205 ; HE2305	<b>25</b> 0.9843	<b>52</b> 2.0472	<b>23</b> 0.9055	<b>17</b> 0.6693	<b>33.9</b> 1.335	<b>20</b> 3/4	<b>35</b> 1.378	<b>8</b> 0.315
<b>25</b> 7/8 1	<b>UK206 ; H2306</b> UK206 ; HS2306 UK206 ; HE2306	<b>30</b> 1.1811	<b>62</b> 2.4409	<b>26</b> 1.0236	<b>19</b> 0.7480	<b>40.8</b> 1.606	<b>25</b> 7/8	<b>38</b> 1.496	<b>8</b> 0.315
<b>30</b> 1 1/8	<b>UK207 ; H2307</b> UK207 ; HS2307	<b>35</b> 1.3780	<b>72</b> 2.8346	<b>29</b> 1.1417	<b>20</b> 0.7874	<b>46.8</b> 1.843	<b>30</b> 1 1/8	<b>43</b> 1.693	<b>9</b> 0.354
<b>35</b> 1 1/4 1 3/8	<b>UK208 ; H2308</b> UK208 ; HE2308 UK208 ; HS2308	<b>40</b> 1.5748	<b>80</b> 3.1496	<b>31</b> 1.2205	<b>21</b> 0.8268	<b>53</b> 2.087	<b>35</b> 1 1/4 1 3/8	<b>46</b> 1.811	<b>10</b> 0.394
<b>40</b> 1 7/16 1 1/2 1 5/8	<b>UK209 ; H2309</b> UK209 ; HA2309 UK209 ; HE2309 UK209 ; HS2309	<b>45</b> 1.7717	<b>85</b> 3.3465	<b>31</b> 1.2205	<b>22</b> 0.8661	<b>57.5</b> 2.264	<b>40</b> 1 7/16 1 1/2 1 5/8	<b>50</b> 1.969	<b>11</b> 0.433
<b>45</b> 1 5/8 1 11/16 1 3/4	<b>UK210 ; H2310</b> UK210 ; HS2310 UK210 ; HA2310 UK210 ; HE2310	<b>50</b> 1.9685	<b>90</b> 3.5433	<b>32</b> 1.2598	<b>24</b> 0.9449	<b>62.4</b> 2.457	<b>45</b> 1 5/8 1 11/16 1 3/4	<b>55</b> 2.165	<b>12</b> 0.472
<b>50</b> 1 7/8 1 15/16 2	<b>UK211 ; H2311</b> UK211 ; HS2311 UK211 ; HA2311 UK211 ; HE2311	<b>55</b> 2.1654	<b>100</b> 3.9370	<b>35</b> 1.3780	<b>25</b> 0.9843	<b>69</b> 2.717	<b>50</b> 1 7/8 1 15/16 2	<b>59</b> 2.323	<b>12</b> 0.472
<b>55</b> 2 1/8	<b>UK212 ; H2312</b> UK212 ; HS2312	<b>60</b> 2.3622	<b>110</b> 4.3307	<b>38</b> 1.4961	<b>27</b> 1.0630	<b>77</b> 3.031	<b>55</b> 2 1/8	<b>62</b> 2.441	<b>13</b> 0.512
<b>60</b> 2 3/16 2 1/4 2 3/8	<b>UK213 ; H2313</b> UK213 ; HA2313 UK213 ; HE2313 UK213 ; HS2313	<b>65</b> 2.5591	<b>120</b> 4.7244	<b>40</b> 1.5748	<b>32</b> 1.2598	<b>82.5</b> 3.248	<b>60</b> 2 3/16 2 1/4 2 3/8	<b>65</b> 2.559	<b>14</b> 0.551
<b>65</b> 2 7/16 2 1/2	<b>UK215 ; H2315</b> UK215 ; HA2315 UK215 ; HE2315	<b>75</b> 2.9528	<b>130</b> 5.1181	<b>44</b> 1.7323	<b>34</b> 1.3386	<b>93</b> 3.661	<b>65</b> 2 7/16 2 1/2	<b>73</b> 2.874	<b>15</b> 0.591

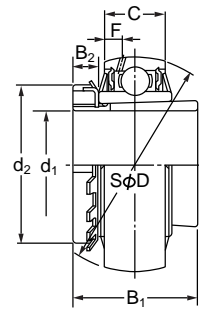
		Basic Load Ratings		Mass
d <sub>2</sub>	F	Dynamic C	Static C <sub>0</sub>	kg/lbs
<b>38</b> 1.496	<b>4.5</b> 0.177	<b>12600</b> 2835	<b>7065</b> 1593	<b>0.25</b> 0.57
<b>45</b> 1.772	<b>4.6</b> 0.181	<b>17550</b> 3960	<b>10170</b> 2286	<b>0.36</b> 0.86 0.78
<b>52</b> 2.047	<b>4.6</b> 0.181	<b>23130</b> 5175	<b>13770</b> 3105	<b>0.57</b> 1.30
<b>58</b> 2.283	<b>4.5</b> 0.177	<b>26190</b> 5895	<b>16020</b> 3600	<b>0.74</b> 1.77 1.63
<b>65</b> 2.559	<b>4.9</b> 0.193	<b>29250</b> 6615	<b>18360</b> 4140	<b>0.83</b> 2.01 1.93 1.76
<b>70</b> 2.756	<b>5.9</b> 0.232	<b>31500</b> 7110	<b>20880</b> 4680	<b>0.97</b> 2.38 2.28 2.18
<b>75</b> 2.953	<b>6.0</b> 0.236	<b>39150</b> 8775	<b>26280</b> 5895	<b>1.26</b> 2.96 2.84 2.70
<b>80</b> 3.150	<b>6.2</b> 0.244	<b>47250</b> 10620	<b>32400</b> 7335	<b>1.59</b> 2.71
<b>85</b> 3.346	<b>8.7</b> 0.343	<b>51750</b> 11610	<b>36000</b> 8100	<b>2.00</b> 4.86 4.70 4.38
<b>98</b> 3.858	<b>9.0</b> 0.354	<b>59400</b> 13410	<b>44550</b> 9990	<b>2.56</b> 6.04 5.84



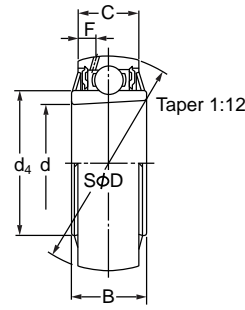
10.08

10.08





UK2...H, HA, HE, HS



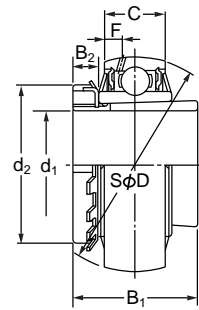
UK2

Shaft Dia.	Unit Number	Basic Dimensions									
		mm		mm		inch		mm		inch	
mm inch		d	D	B	C	d <sub>4</sub>	d <sub>1</sub>	B <sub>1</sub>	B <sub>2</sub>		
<b>70</b>	<b>UK216 ; H2316</b>	<b>80</b>	<b>140</b>	<b>45</b>	<b>35</b>	<b>98.1</b>	<b>70</b>	<b>78</b>	<b>17</b>		
2 11/16 2 3/4	UK216 ; HA2316 UK216 ; HE2316	3.1496	5.5118	1.7717	1.3780	3.862	2 11/16 2 3/4	3.071	0.669		
<b>75</b>	<b>UK217 ; H2317</b>	<b>85</b>	<b>150</b>	<b>46</b>	<b>36</b>	<b>106.4</b>	<b>75</b>	<b>82</b>	<b>18</b>		
2 15/16 3	UK217 ; HA2317 UK217 ; HE2317	3.3465	5.9055	1.8110	1.4173	4.189	2 15/16 3	3.228	0.709		
<b>80</b>	<b>UK218 ; H2318</b>	<b>90</b>	<b>160</b>	<b>47</b>	<b>37</b>	<b>111.6</b>	<b>80</b>	<b>86</b>	<b>18</b>		
3 3/16	UK218 ; HA2318	3.5433	6.2992	1.8504	1.4567	4.394	3 3/16	3.386	0.709		

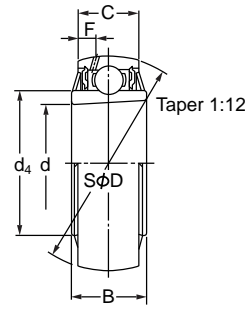
		Basic Load Ratings		Mass
d <sub>2</sub>	F	Dynamic C	Static C <sub>0</sub>	kg/lbs
<b>105</b>	<b>9.5</b>	<b>65250</b>	<b>47700</b>	<b>3.23</b>
4.134	0.374	14670	10710	7.38 7.14
<b>110</b>	<b>10.1</b>	<b>75150</b>	<b>57600</b>	<b>3.93</b>
4.331	0.398	16830	12870	8.73 8.46
<b>120</b>	<b>9.8</b>	<b>86400</b>	<b>64350</b>	<b>4.74</b>
4.724	0.386	19440	14490	11.0



■ Adapter Type - UKX Series



UK2...H, HA, HE, HS

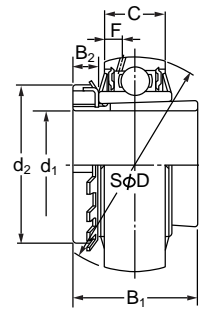


UK2

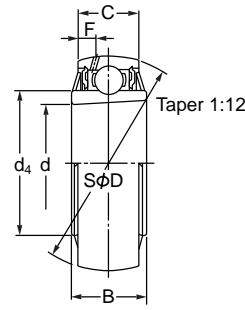
Shaft Dia. mm inch	Unit Number	Basic Dimensions							
		d	D	B	C	d <sub>4</sub>	d <sub>1</sub>	B <sub>1</sub>	B <sub>2</sub>
<b>20</b> 3/4	<b>UKX05 ; H2305</b> UKX05 ; HE2305	<b>25</b> 0.9843	<b>62</b> 2.4409	<b>26</b> 1.0236	<b>19</b> 0.7480	<b>40.8</b> 1.606	<b>20</b> 3/4	<b>35</b> 1.378	<b>8</b> 0.315
<b>25</b> 7/8 1	<b>UKX06 ; H2306</b> UKX06 ; HS2306 UKX06 ; HE2306	<b>30</b> 1.1811	<b>72</b> 2.8346	<b>29</b> 1.1417	<b>20</b> 0.7874	<b>46.8</b> 1.843	<b>25</b> 7/8	<b>38</b> 1.496	<b>8</b> 0.315
<b>30</b> 1 1/8	<b>UKX07 ; H2307</b> UKX07 ; HS2307	<b>35</b> 1.3780	<b>80</b> 3.1496	<b>31</b> 1.2205	<b>21</b> 0.8268	<b>53</b> 2.087	<b>30</b> 1 1/8	<b>43</b> 1.693	<b>9</b> 0.354
<b>35</b> 1 1/4 1 3/8	<b>UKX08 ; H2308</b> UKX08 ; HE2308 UKX08 ; HS2308	<b>40</b> 1.5748	<b>85</b> 3.3465	<b>31</b> 1.2205	<b>22</b> 0.8661	<b>57.5</b> 2.264	<b>35</b> 1 1/4 1 3/8	<b>46</b> 1.811	<b>10</b> 0.394
<b>40</b> 1 7/16 1 1/2 1 5/8	<b>UKX09 ; H2309</b> UKX09 ; HA2309 UKX09 ; HE2309 UKX09 ; HS2309	<b>45</b> 1.7717	<b>90</b> 3.5433	<b>32</b> 1.2598	<b>24</b> 0.9449	<b>62.4</b> 2.457	<b>40</b> 1 7/16 1 1/2 1 5/8	<b>50</b> 1.969	<b>11</b> 0.433
<b>45</b> 1 5/8 1 11/16 1 3/4	<b>UKX10 ; H2310</b> UKX10 ; HS2310 UKX10 ; HA2310 UKX10 ; HE2310	<b>50</b> 1.9685	<b>100</b> 3.9370	<b>35</b> 1.3780	<b>25</b> 0.9843	<b>69</b> 2.717	<b>45</b> 1 5/8 1 11/16 1 3/4	<b>55</b> 2.165	<b>12</b> 0.472
<b>50</b> 1 7/8 1 15/16 2	<b>UKX11 ; H2311</b> UKX11 ; HS2311 UKX11 ; HA2311 UKX11 ; HE2311	<b>55</b> 2.1654	<b>110</b> 4.3307	<b>38</b> 1.4961	<b>27</b> 1.0630	<b>77</b> 3.031	<b>50</b> 1 7/8 1 15/16 2	<b>59</b> 2.323	<b>12</b> 0.472
<b>55</b> 2 1/8	<b>UKX12 ; H2312</b> UKX12 ; HS2312	<b>60</b> 2.3622	<b>120</b> 4.7244	<b>40</b> 1.5748	<b>32</b> 1.2598	<b>82.5</b> 3.248	<b>55</b> 2 1/8	<b>62</b> 2.441	<b>13</b> 0.512
<b>60</b> 2 3/16 2 1/4 2 3/8	<b>UKX13 ; H2313</b> UKX13 ; HA2313 UKX13 ; HE2313 UKX13 ; HS2313	<b>65</b> 2.5591	<b>125</b> 4.9213	<b>42</b> 1.6535	<b>33</b> 1.2992	<b>87</b> 3.425	<b>60</b> 2 3/16 2 1/4 2 3/8	<b>65</b> 2.559	<b>14</b> 0.551
<b>65</b> 2 7/16 2 1/2	<b>UKX15 ; H2315</b> UKX15 ; HA2315 UKX15 ; HE2315	<b>75</b> 2.9528	<b>140</b> 5.5118	<b>45</b> 1.7717	<b>35</b> 1.3780	<b>98.1</b> 3.862	<b>65</b> 2 7/16 2 1/2	<b>73</b> 2.874	<b>15</b> 0.591

d <sub>2</sub>	F	Basic Load Ratings		Mass
		Dynamic C	Static C <sub>0</sub>	kg/lbs
<b>38</b> 1.496	<b>4.6</b> 0.181	<b>17550</b> 3960	<b>10170</b> 2286	<b>0.38</b> 0.85
<b>45</b> 1.772	<b>4.6</b> 0.181	<b>23130</b> 5175	<b>13770</b> 3105	<b>0.53</b> 1.24 1.16
<b>52</b> 2.047	<b>4.5</b> 0.177	<b>26190</b> 5895	<b>16020</b> 3600	<b>0.75</b> 1.70
<b>58</b> 2.283	<b>4.9</b> 0.193	<b>29250</b> 6615	<b>18360</b> 4140	<b>0.85</b> 2.01 1.88
<b>65</b> 2.559	<b>5.9</b> 0.193	<b>31500</b> 7110	<b>20880</b> 4680	<b>0.97</b> 2.32 2.24 2.07
<b>70</b> 2.756	<b>6.0</b> 0.232	<b>39150</b> 8775	<b>26280</b> 5895	<b>1.29</b> 3.09 2.99 2.88
<b>75</b> 2.953	<b>6.2</b> 0.244	<b>47250</b> 10620	<b>32400</b> 7335	<b>1.66</b> 3.84 3.72 3.58
<b>80</b> 3.150	<b>8.7</b> 0.343	<b>51750</b> 11610	<b>36000</b> 8100	<b>2.07</b> 4.66
<b>85</b> 3.346	<b>8.8</b> 0.346	<b>55800</b> 12600	<b>39600</b> 8910	<b>2.19</b> 5.28 5.12 4.79
<b>98</b> 3.858	<b>9.5</b> 0.374	<b>65250</b> 14670	<b>47700</b> 10710	<b>3.21</b> 7.47 7.27

■ Adapter Type - UKX Series



UK2...H, HA, HE, HS



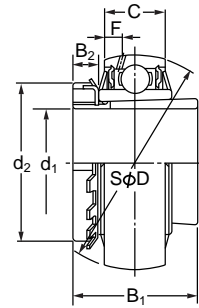
UK2

Shaft Dia.	Unit Number	Basic Dimensions							
		mm		inch					
mm inch		d	D	B	C	d <sub>4</sub>	d <sub>1</sub>	B <sub>1</sub>	B <sub>2</sub>
<b>70</b>	<b>UKX16 ; H2316</b>	<b>80</b>	<b>150</b>	<b>46</b>	<b>36</b>	<b>106.4</b>	<b>70</b>	<b>78</b>	<b>17</b>
2 11/16 2 3/4	UKX16 ; HA2316 UKX16 ; HE2316	3.1496	5.9118	1.7717	1.3780	3.862	2 11/16 2 3/4	3.071	0.669
<b>75</b>	<b>UKX17 ; H2317</b>	<b>85</b>	<b>160</b>	<b>47</b>	<b>37</b>	<b>111.6</b>	<b>75</b>	<b>82</b>	<b>18</b>
2 15/16 3	UKX17 ; HA2317 UKX17 ; HE2317	3.3465	6.2992	1.8504	1.4567	4.394	2 15/16 3	3.228	0.709
<b>80</b>	<b>UKX18 ; H2318</b>	<b>90</b>	<b>170</b>	<b>49</b>	<b>39</b>	<b>118.2</b>	<b>80</b>	<b>86</b>	<b>18</b>
3 3/16	UKX18 ; HA2318	3.5433	6.6929	1.9291	1.5354	4.654	3 3/16	3.386	0.709
<b>90</b>	<b>UKX20 ; H2320</b>	<b>100</b>	<b>190</b>	<b>57</b>	<b>44</b>	<b>131.3</b>	<b>90</b>	<b>97</b>	<b>20</b>

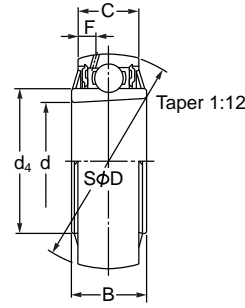
		Basic Load Ratings		Mass
d <sub>2</sub>	F	Dynamic C	Static C <sub>0</sub>	kg/lbs
<b>105</b>	<b>10.1</b>	<b>75150</b>	<b>57600</b>	<b>3.87</b>
4.134	0.374	14670	10710	8.79 8.56
<b>110</b>	<b>9.8</b>	<b>86400</b>	<b>64350</b>	<b>4.76</b>
4.331	0.386	19440	14490	10.6 10.3
<b>120</b>	<b>10.5</b>	<b>98100</b>	<b>73800</b>	<b>5.17</b>
4.724	0.413	22050	16560	11.2
<b>130</b>	<b>11.3</b>	<b>119700</b>	<b>94500</b>	<b>8.03</b>



■ Adapter Type - UK 300 Series



UK2...H, HA, HE, HS

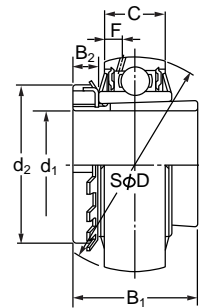


UK2

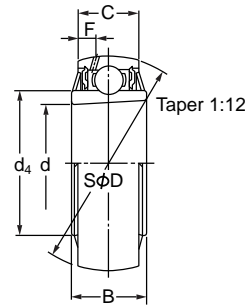
Shaft Dia. mm inch	Unit Number	Basic Dimensions							
		d	D	B	C	d <sub>4</sub>	d <sub>1</sub>	B <sub>1</sub>	B <sub>2</sub>
<b>20</b> 3/4	<b>UK305 ; H2305</b> UK305 ; HE2305	<b>25</b> 0.9843	<b>62</b> 2.4409	<b>26</b> 1.0236	<b>20</b> 0.7874	<b>36.8</b> 1.449	<b>20</b> 3/4	<b>35</b> 1.378	<b>8</b> 0.315
<b>25</b> 7/8 1	<b>UK306 ; H2306</b> UK306 ; HS2306 UK306 ; HE2306	<b>30</b> 1.1811	<b>72</b> 2.8346	<b>29</b> 1.1417	<b>23</b> 0.9055	<b>44.9</b> 1.768	<b>25</b> 7/8	<b>38</b> 1.496	<b>8</b> 0.315
<b>30</b> 1 1/8	<b>UK307 ; H2307</b> UK307 ; HS2307	<b>35</b> 1.3780	<b>80</b> 3.1496	<b>33</b> 1.2992	<b>25</b> 0.9843	<b>49.4</b> 1.945	<b>30</b> 1 1/8	<b>43</b> 1.693	<b>9</b> 0.354
<b>35</b> 1 1/4 1 3/8	<b>UK308 ; H2308</b> UK308 ; HE2308 UK308 ; HS2308	<b>40</b> 1.5748	<b>90</b> 3.5433	<b>34</b> 1.3386	<b>27</b> 1.0630	<b>56</b> 2.205	<b>35</b> 1 1/4 1 3/8	<b>46</b> 1.811	<b>10</b> 0.394
<b>40</b> 1 7/16 1 1/2 1 5/8	<b>UK309 ; H2309</b> UK309 ; HA2309 UK309 ; HE2309 UK309 ; HS2309	<b>45</b> 1.7717	<b>100</b> 3.9370	<b>37</b> 1.4567	<b>29</b> 1.1417	<b>63.5</b> 2.500	<b>40</b> 1 7/16 1 1/2 1 5/8	<b>50</b> 1.969	<b>11</b> 0.433
<b>45</b> 1 5/8 1 11/16 1 3/4	<b>UK310 ; H2310</b> UK310 ; HS2310 UK310 ; HA2310 UK310 ; HE2310	<b>50</b> 1.9685	<b>110</b> 4.3307	<b>41</b> 1.6142	<b>32</b> 1.2598	<b>70.6</b> 2.780	<b>45</b> 1 5/8 1 11/16 1 3/4	<b>55</b> 2.165	<b>12</b> 0.472
<b>50</b> 1 7/8 1 15/16 2	<b>UK311 ; H2311</b> UK311 ; HS2311 UK311 ; HA2311 UK311 ; HE2311	<b>55</b> 2.1654	<b>120</b> 4.7244	<b>44</b> 1.7323	<b>34</b> 1.3386	<b>76.6</b> 3.016	<b>50</b> 1 7/8 1 15/16 2	<b>59</b> 2.323	<b>12</b> 0.472
<b>55</b> 2 1/8	<b>UK312 ; H2312</b> UK312 ; HS2312	<b>60</b> 2.3622	<b>130</b> 5.1181	<b>47</b> 1.8504	<b>36</b> 1.4173	<b>82.7</b> 3.256	<b>55</b> 2 1/8	<b>62</b> 2.441	<b>13</b> 0.512
<b>60</b> 2 3/16 2 1/4 2 3/8	<b>UK313 ; H2313</b> UK313 ; HA2313 UK313 ; HE2313 UK313 ; HS2313	<b>65</b> 2.5591	<b>140</b> 5.5118	<b>49</b> 1.9291	<b>39</b> 1.5354	<b>88.2</b> 3.472	<b>60</b> 2 3/16 2 1/4 2 3/8	<b>65</b> 2.559	<b>14</b> 0.551
<b>65</b> 2 7/16 2 1/2	<b>UK315 ; H2315</b> UK315 ; HA2315 UK315 ; HE2315	<b>75</b> 2.9528	<b>160</b> 6.2992	<b>55</b> 2.1654	<b>43</b> 1.6929	<b>101.3</b> 3.988	<b>65</b> 2 7/16 2 1/2	<b>73</b> 2.874	<b>15</b> 0.591

d <sub>2</sub>	F	Basic Load Ratings		Mass
		Dynamic C	Static C <sub>0</sub>	kg/lbs
<b>38</b> 1.496	<b>5.0</b> 0.197	<b>19080</b> 4275	<b>9810</b> 2214	<b>0.36</b> 0.81
<b>45</b> 1.772	<b>5.9</b> 0.232	<b>24030</b> 5400	<b>13500</b> 3060	<b>0.59</b> 1.37 1.29
<b>52</b> 2.047	<b>6.8</b> 0.268	<b>30150</b> 6750	<b>17190</b> 3870	<b>0.75</b> 1.70
<b>58</b> 2.283	<b>7.4</b> 0.291	<b>36450</b> 8235	<b>21600</b> 4860	<b>1.02</b> 2.38 2.25
<b>65</b> 2.559	<b>7.4</b> 0.291	<b>47700</b> 10710	<b>28800</b> 6480	<b>1.38</b> 3.22 3.14 2.97
<b>70</b> 2.756	<b>8.1</b> 0.319	<b>55800</b> 12510	<b>34650</b> 7740	<b>1.68</b> 3.95 3.85 3.74
<b>75</b> 2.953	<b>8.5</b> 0.335	<b>64350</b> 14490	<b>40500</b> 9090	<b>2.06</b> 4.73 4.60 4.46
<b>80</b> 3.150	<b>9.0</b> 0.354	<b>73800</b> 16560	<b>46800</b> 10530	<b>2.53</b> 5.67
<b>85</b> 3.346	<b>10.1</b> 0.398	<b>83250</b> 18720	<b>54000</b> 12060	<b>3.08</b> 7.24 7.08 6.76
<b>98</b> 3.858	<b>11.0</b> 0.433	<b>101700</b> 22950	<b>69300</b> 15660	<b>4.84</b> 11.1 10.9





UK2...H, HA, HE, HS



UK2

Shaft Dia. mm inch	Unit Number	Basic Dimensions							
		d	D	B	C	d <sub>4</sub>	d <sub>1</sub>	B <sub>1</sub>	B <sub>2</sub>
<b>70</b> 2 11/16 2 3/4	<b>UK316 ; H2316</b> UK316 ; HA2316 UK316 ; HE2316	<b>80</b> 3.1496	<b>170</b> 6.6929	<b>58</b> 2.2835	<b>45</b> 1.7717	<b>107.9</b> 4.248	<b>70</b> 2 11/16 2 3/4	<b>78</b> 3.071	<b>17</b> 0.669
<b>75</b> 2 15/16 3	<b>UK317 ; H2317</b> UK317 ; HA2317 UK317 ; HE2317	<b>85</b> 3.3465	<b>180</b> 7.0866	<b>60</b> 2.3622	<b>47</b> 1.8504	<b>114.4</b> 4.504	<b>75</b> 2 15/16 3	<b>82</b> 3.228	<b>18</b> 0.709
<b>80</b> 3 3/16	<b>UK318 ; H2318</b> UK318 ; HA2318	<b>90</b> 3.5433	<b>190</b> 7.4803	<b>64</b> 2.5197	<b>49</b> 1.9291	<b>120.9</b> 4.760	<b>80</b> 3 3/16	<b>86</b> 3.386	<b>18</b> 0.709
<b>85</b> 3 1/4	<b>UK319 ; H2319</b> UK319 ; HE2319	<b>95</b> 3.7402	<b>200</b> 7.8740	<b>67</b> 2.6378	<b>51</b> 2.0079	<b>127.5</b> 5.02	<b>85</b> 3 1/4	<b>90</b> 3.543	<b>19</b> 0.748
<b>90</b> 3 7/16 3 1/2	<b>UK320 ; H2320</b> UK320 ; HA2320 UK320 ; HE2320	<b>100</b> 3.9370	<b>215</b> 8.4646	<b>73</b> 2.8740	<b>55</b> 2.1654	<b>135.6</b> 5.339	<b>90</b> 3 7/16 3 1/2	<b>97</b> 3.819	<b>20</b> 0.787
<b>100</b>	<b>UK322 ; H2322</b>	<b>110</b>	<b>240</b>	<b>80</b>	<b>59</b>	<b>151.7</b>	<b>100</b>	<b>105</b>	<b>21</b>
<b>110</b>	<b>UK324 ; H2324</b>	<b>120</b>	<b>260</b>	<b>86</b>	<b>63</b>	<b>165.2</b>	<b>110</b>	<b>112</b>	<b>22</b>
<b>115</b>	<b>UK326 ; H2326</b>	<b>130</b>	<b>280</b>	<b>90</b>	<b>67</b>	<b>178.3</b>	<b>115</b>	<b>121</b>	<b>23</b>
<b>125</b>	<b>UK328 ; H2328</b>	<b>140</b>	<b>300</b>	<b>95</b>	<b>71</b>	<b>190.4</b>	<b>125</b>	<b>131</b>	<b>24</b>

		Basic Load Ratings		Mass
d <sub>2</sub>	F	Dynamic C	Static C <sub>0</sub>	kg/lbs
<b>105</b> 4.134	<b>11.4</b> 0.449	<b>110700</b> 24840	<b>77850</b> 17550	<b>5.75</b> 12.9 12.7
<b>110</b> 4.331	<b>12.0</b> 0.472	<b>119700</b> 26820	<b>87300</b> 19620	<b>6.72</b> 14.9 14.6
<b>120</b> 4.724	<b>12.3</b> 0.484	<b>128700</b> 28800	<b>96300</b> 21690	<b>7.87</b> 17.2
<b>125</b> 4.921	<b>12.8</b> 0.504	<b>137700</b> 31050	<b>107100</b> 23940	<b>9.02</b> 20.4
<b>130</b> 5.118	<b>13.5</b> 0.531	<b>155700</b> 35100	<b>126900</b> 28350	<b>11.1</b> 24.7 25.1
<b>145</b>	<b>13.9</b>	<b>184500</b>	<b>161100</b>	<b>14.9</b>
<b>155</b>	<b>16.0</b>	<b>186300</b>	<b>166500</b>	<b>18.0</b>
<b>165</b>	<b>16.9</b>	<b>206100</b>	<b>192600</b>	<b>23.3</b>
<b>180</b>	<b>17.7</b>	<b>227700</b>	<b>221400</b>	<b>28.9</b>





## Caps for Plastic Housing

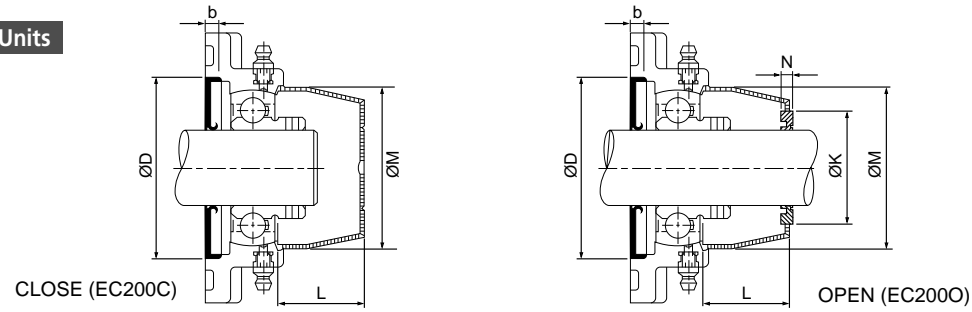
	Page
11.01 Plastic End Caps	319
11.02 Back Seal	319

## Caps for Plastic Housing

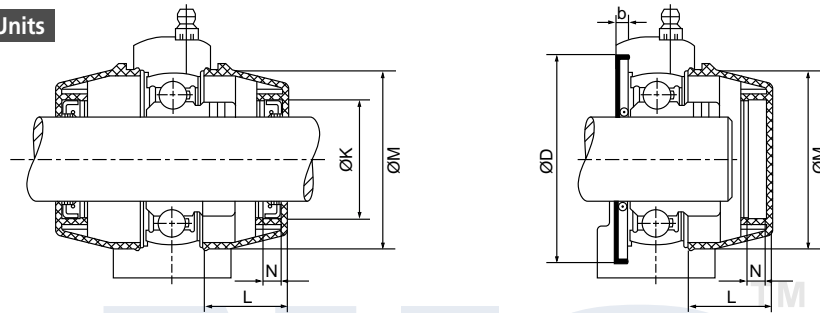
**NIS™**

### Plastic End Caps - EC200C / EC2000 Series

#### Flange Units



#### Pillow Block Units

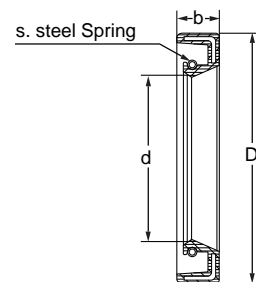


Designation	Shaft Diameter		Dimensions (mm)					
	mm	inch	K	N	L	M	D	b
EC201C/EC201O	12	1/2	32	7	23	50	52	6
EC202C/EC202O	15	9/16, 5/8	32	7	23	50	52	6
EC203C/EC203O	17	11/16	32	7	23	50	52	6
EC204C/EC204O	20	3/4	32	7	23	50	52	6
EC205C/EC205O	25	13/16, 7/8, 15/16, 1	37	7	25	55	62	6
EC206C/EC206O	30	1 1/16, 1 1/8, 1 3/16, 1 1/4	42	7	30	64	72	6
EC207C/EC207O	35	1 1/4, 1 15/16, 1 3/8, 1 7/16	47	7	32	74.5	82	6
EC208C/EC208O	40	1 1/2, 1 9/16	52	7	37	84	88	6
EC209C/EC209O	45	1 5/8, 1 11/16, 1 3/4	57	7	41	89	93	6
EC210C/EC210O	50	1 13/16, 1 7/8, 1 15/16, 2	62	7	47	94	98	6

## Caps for Plastic Housing

**NIS™**

### Back Seal



Designation	Size	Dia.	d	b	D
EC204S	204		20	6	52
EC205S	205		25	6	62
EC206S	206		30	6	72
EC207S	207		35	6	82
EC208S	208		40	6	88
EC209S	209		45	6	93
EC210S	210		50	6	98

## DISCLAIMER

The detailed listings and information within this catalogue have been researched and compiled from reliable sources, and are knowingly correct to the best of our knowledge.

**NIS™** does not accept any liability or responsibility for errors or omissions or damage resulting from use of any information contained in this catalogues.

Contact your nearest **NIS™** Distributor for assistance.

