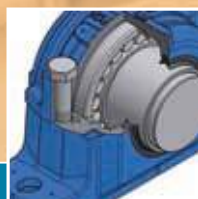


SNR : The SNC Pillow Block Range for Your Application



Industry



Content

	Page
General	
Foreword	2
The SNR bearing housing concept	3
Development principles	5
Structural details	6
<hr/>	
Designations and explanations	
Housing	9
Delivery condition	9
Material / Colour / Corrosion protection	9
Seal variations / Sets	10
Order examples	10
Complete systems	11
<hr/>	
Sealing systems	
Double lip seal	12
Felt strip sealing / optional V-ring	12
V-ring seal with contact washer	13
Labyrinth seal	15
Taconite seal	15
Cover plate	16
Special seals	16
Seal selection	17
<hr/>	
SNR Premier bearings	
Bearing with cylindrical bore	18
Bearing with tapered bore	18
SNR PREMIER roller bearings	19
Fixed bearings / floating bearings	19
<hr/>	
Loads and torques	
Housing load carrying capacity	21
Tightening torques	21
<hr/>	
Lubrication	
Lubricant quantities	22
Lubricating fitting / sealing plug	23
Grease regulation disc	24
<hr/>	
Mounting	
Housing fixing	25
Mounting the bearings	27
Radial clearance reduction	28
Preparation for mounting	29
Double lip seal mounting	30
Felt strip seal mounting	32
V-ring seal mounting	34
Labyrinth seal mounting	36
Taconite seal mounting	38
<hr/>	
Dimension tables	
Pillow block housing for bearings with adapter sleeve mounting	40
Pillow block housing for bearings with cylindrical bore	52
<hr/>	
Accessories	
SNR mounting tools	66
SNR lubricating grease	67
SNR diagnostic equipment	68



Foreword

SNR is one of Europe's leading manufacturers of rolling bearings and has been one of the industry's biggest innovators for decades. Our innovations in rolling bearing technology for the automotive, aerospace and industrial sectors are the basis for our consistent growth. Our integration into the Renault-Nissan Group is a further guarantee of high productivity and quality.

Contact with our customers and their application is especially important to us.

A closely meshed network of sales offices and trade partners allows us to maintain direct contact at all times - worldwide.

In terms of new product development, this customer focus means that our customers can directly influence our products. Our guiding principle is to work together to find constructive solutions.

Product quality, efficiency and high utility for users are the basis for strategic partnership between SNR and you - our customers.

SNR bearing housings are an established element of our product strategy and, in conjunction with our **PREMIER** rolling bearings, provide a unique level of performance.

Find out for yourself.



| The SNC bearing housing concept

Variable, efficient, user friendly! That's the basic concept behind our SNC series.

Basic design

Our two-part bearing housings are made up of an upper and a lower section. This greatly simplifies mounting and maintenance of the units, as the bearing and sealing elements can be mounted on the shaft first and then simply inserted into the pre-positioned lower section of the housing.

These units are compatible with ISO standards 02, 03, 22, 23 and 32 sized self-aligning bearings or roller bearings. The high performance SNR *PREMIER* self-aligning roller bearings offer huge additional benefits in terms of service life and running behaviour. Our application engineers will be happy to advise you on the design and dimensioning of your bearing locations.

A wide variety of different sealing systems ensures that optimum solutions are available for all kinds of applications, from the less stringent requirements for a bearing location under clean ambient conditions through to usage under extremely adverse conditions.

Unique design selling points, such as the circular ribbing on the housing allow fault-free operation even at high temperatures and with heavy loads. The optimum vibration behaviour of our FEM-optimised housings extends their service life considerably.

Increased housing rigidity and improved heat dissipation are further advantages of the SNC series.

Other design details are described in more detail later in this catalogue.

Complete systems

SNR enables its customers to order application-specific complete systems. These include bearing units that are supplied fully assembled with the shaft and pre-lubricated for direct installation.

This results in economic benefits such as:

- Reduction of logistics costs: One supplier - one responsibility
- Reduction of commissioning costs due to avoidance of mounting errors
- Reduction of manufacturing costs due to elimination of the need to mount individual components separately
- Reduction of inventory costs

Modular principle

The versatility and the number of variations in the SNC housing series ensure that a wide range of modules are available, with even the standard options offering enormous variety. This means that complex and expensive special designs can often be avoided. The modular principle, with its different dimensions, sealing elements and rolling bearing variations, provides a wide range of options that offers a technically and economically viable solution for most applications.



Latest generation of SNC pillow block housings

The SNC pillow block housing is a technological advancement of our previous SNB and SNU series.

The major abutment dimensions of the SNC series correspond to the specifications in ISO 113/II:1994 and DIN 736:1984 to DIN 739:1984.

The bearing units are based on our two-part housing. By default, these are made of grey cast iron in compliance with DIN EN 1561 and are available in different sizes. On request, for particularly high loads, housings can also be produced from other materials, such as ductile iron, in the same dimensions. Each individual housing can hold bearings of different diameters and widths. They are primarily self-aligning roller bearings.

However, the crucial factor is the type of application. For example, if high speeds are required, self-aligning ball bearings can be used. Self-aligning roller bearings are particularly well suited for high axial and radial forces.

Combined with the various sealing elements, this results in a variety of possible designs, which make up SNR's standard range. The shaft diameters are between 20 and 160 mm (special dimensions on request). The bearings with tapered bore inner rings are attached to the shaft using an adapter sleeve. By contrast, bearings with a cylindrical inner ring lie directly on the shaft.

There are a wide variety of sealing options for the housing due to the large number of practical applications. The most important factors are the speeds and the external influences that act on the unit.

The SNR standard range includes:

- Double lip seal
- Felt strip seal with retainer
- V-ring seal with contact washer
- Labyrinth ring seal
- Taconite seal

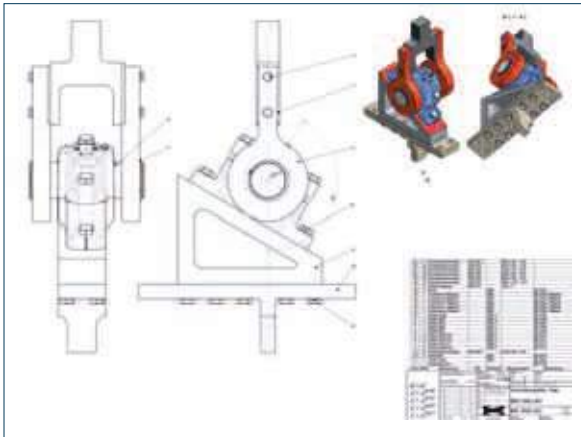
All SNC units are designed for both through shafts and for shaft ends.

A cover plate is available for these versions, which is inserted in the sealing groove in place of the seal.

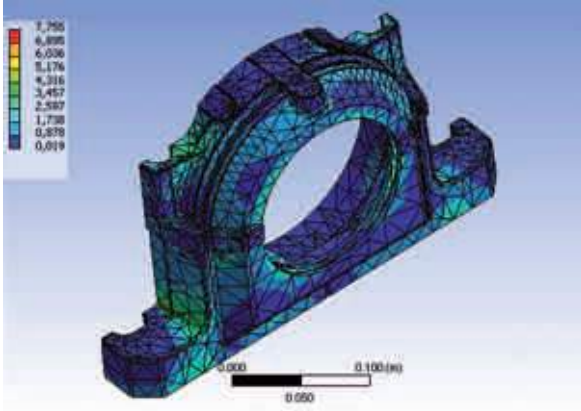


Development principles

The development process for our bearing housings always follows a set and proven principle: design, optimisation and determination of load limits. True to these principles, all SNC housings are designed using our 3D CAD software. The shape and design of the individual housing cross-sections are calculated and optimised by our specialist engineers using the finite element method (FEM). At SNR, theory and practice are aligned in sophisticated endurance tests on the test bench and in practical load tests.



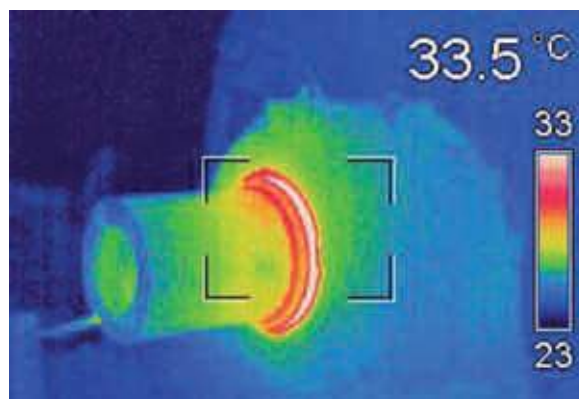
Load test: Tensile test parallel to mounting surface. During the test phase, SNC housings are loaded to their limits.



The finite element method enables the optimum housing design to be determined in advance.



Housing and seals on the test bench. Vibration behaviour, temperature pattern and wear behaviour in practice.



Temperature analysis

Structural details



During development of our new SNC series, we have optimised many aspects of the housing. This optimisation is the result of our decades of application know how for bearing housings. We have incorporated a variety of practical details that make mounting easier and safer for the user and guarantee maximum reliability. The FEM-optimised housing provides additional benefits including:



Strength properties and heat dissipation:

The circular ribbing on the housing body gives the SNC housing excellent form stability and rigidity. Furthermore, this structural feature helps to optimize the vibration behaviour and heat dissipation of the units.

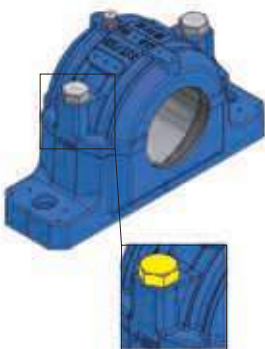


The X-shaped support surface and the cross piece in the housing foot strengthen the bearing seat substructure and thus support the construction at a critical point.



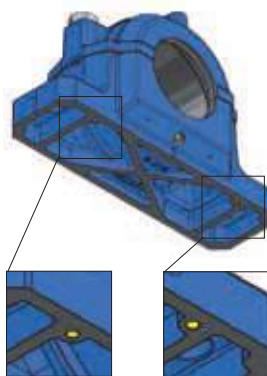
Heat dissipation:

The support surface in the foot of the SNC housing ensures extremely efficient dissipation of operating heat.



Connection bolts:

On SNC pillow block housings, bolts with a larger diameter than on comparable housings are used to connect the upper and lower sections of the housing. This enables higher radial loads to act on the housing cap.

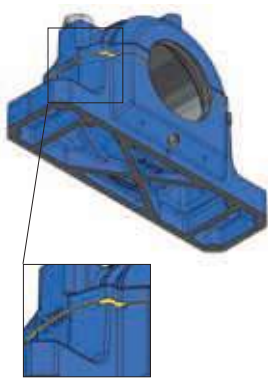


Mounting holes:

The holes incorporated into the underside of the housing foot simplify exact alignment of the units in series production.

Dowel pins that are pre-installed in the mounting surface as set out in the table (see page 26) indicate the exact position. If modification of the housing is necessary, the mounting

holes can also be used for alignment on a processing machine with no problems.



Drain edge:
The circular edge prevents the penetration of moisture at the interface between the upper and lower section.



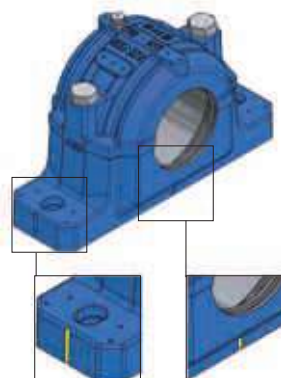
Grease drain hole:
All SNC housings are factory-fitted with a grease drain hole. In addition to the default position, other locations can also be selected for the grease drain hole. Positions are marked by centre punching. The drain hole is located in the foot area opposite the

lubricating fitting. It ensures that excess grease from inside the housing can escape. (Drain holes are sealed with threaded plugs when delivered.)



Lubricating fitting:
There are several centre punching points in the housing cap, which can be used for alternative threaded holes. Ex works, the SNC housing has one threaded hole.

(The threaded hole is sealed when delivered. One flat headed and one tapered lubricating fitting is included.)



Alignment markings:
For quick and easy alignment on the mounting surface, SNC housings have positioning marks. These are located under each shaft outlet hole and on the side of the housing foot.

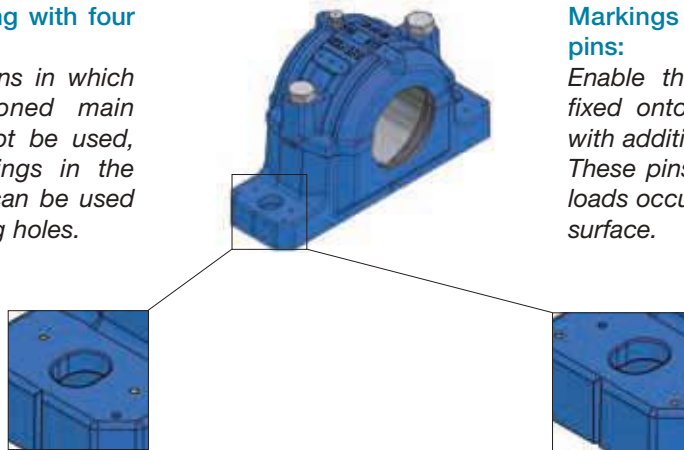


Dismounting edge:
Simplifies dismantling for maintenance work on the bearing units. A lever can be used to easily separate the upper and lower sections of the housing from one another at these points.



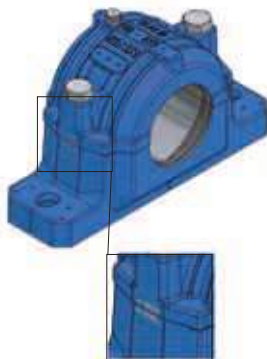
Markings for mounting with four fastening bolts:

For mounting situations in which the centrally positioned main fastening holes cannot be used, there are four markings in the housing foot. These can be used as alternative fastening holes.



Markings for additional dowel pins:

Enable the bearing units to be fixed onto the mounting surface with additional dowel pins. These pins are useful if very high loads occur parallel to the support surface.



Upper and lower section marking:

The code numbers imprinted on the side of the housing body are used to correctly assign the upper and lower section. When mounting several housings, the upper and lower sections must never be exchanged as they are matched during production.



Connection options:

Several marking points are cast into the upper sections of the housings. If necessary, these can be used for connecting holes for measuring sensors, e.g. vibration pickups or temperature sensors.



Retainer:

An aluminium retainer is fitted to hold the felt strips. Its special construction ensures that the felt strips are precisely positioned and simultaneously acts as a contact surface for the optional V-ring that can be used.

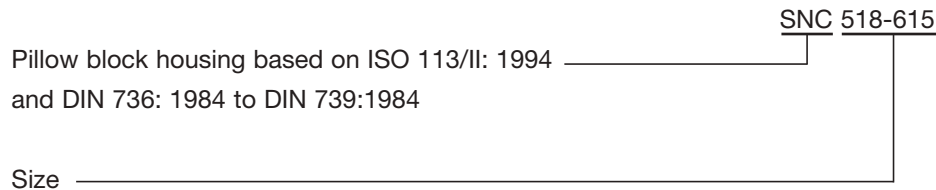
| Designations and explanations

Housing:

Pillow block housing based on ISO 113/II: 1994 and DIN 736: 1984 to DIN 739:1984

Size

SNC 518-615



500 Series

Bearing housing for rolling bearings with tapered bore from 1200K, 2200K, 22200K and 23200K series
Shaft diameter: 20 mm – 140 mm

600 Series

Bearing housing for rolling bearings with tapered bore from 1300K, 2300K, 21300K and 22300K series
Shaft diameter: 20 mm – 90 mm

200 Series

Bearing housing for rolling bearings with cylindrical bore from 1200, 2200, 22200 and 23200 series
Shaft diameter: 25 mm – 160 mm

300 series

Bearing housing for rolling bearings with cylindrical bore from 1300, 2300, 21300 and 22300 series
Shaft diameter: 25 mm – 100 mm

Fixed bearing version

All SNC housings can be used as fixed bearings by using locating rings. Locating rings must be ordered separately. Two locating rings are required per housing. The corresponding sizes can be found in the dimension tables.

Delivery conditions

Each SNC bearing housing comes complete with appropriate flat headed and tapered lubricating fittings. These are not fitted and can be found inside the housing. The corresponding threaded hole in the upper housing section is sealed with a plastic plug in the factory. A metal threaded plug is screwed into the grease drain hole in the lower housing section. The shaft outlet openings are fitted with protective plastic covers.

Material / Colour / Corrosion Protection

The housings are produced from grey cast iron in compliance with DIN EN 1561. On request, SNC bearing housings can also be produced from other materials, e.g. ductile iron. By default, all external surfaces of the housing are painted (colour RAL 5010 - Gentian blue). The machined surfaces inside the housing are treated with an anti-corrosion agent; all non-machined surfaces are primed.



Seal versions

SC..DS	Double lip seal	
SC..FS	Felt strip seal	
SC..SV	V-ring seal	
SC..LA	Labyrinth seal	Example designation: SC518DS
SC..TA	Taconite seal	
V..A	V-ring (A version) in addition to SC..FS	
SC..EC	Cover plate	

All SNC units are designed for both through shafts and for shaft end bearing arrangements. A cover (SC...EC) is available for these versions. This is inserted in the groove between the upper and lower sections in place of the second seal.

Further information about the individual seal versions can be found in the **Sealing systems** section.

To provide maximum flexibility when it comes to selecting, SNC seals are packaged as a set. One seal set is required for each side of the housing.

Content of seal set

SC..DS	Double lip seal	1x double lip seal (2-part)
SC..FS	Felt strip seal	1x retainer (2-part) / 1x round cord (2-part) / Felt strips (2-part)
SC..SV	V-ring seal	1x V-ring (A version) / 1x contact washer
SC..LA	Labyrinth seal	1x Labyrinth ring / 1x round cord
SC..TA	Taconite seal	1x Taconite seal (multi-part; assembled)

Accessories

Grease regulation disc RDC

Regulation discs are available as an option. The corresponding sizes can be found in the dimension tables.

Further information about the grease regulation discs can be found in the corresponding section.

Order examples for SNC bearing housings:

A

Pillow block housing for through shaft; Self-aligning ball bearing 2212 with cylindrical bore for shaft diameter 60 mm; felt strip seal with additional V-ring seal; floating bearing version.

x1 Pillow block housing	SNR	SNC212-310
x1 Self-aligning ball bearing	SNR	2212
x2 Felt strip seals	SNR	SC212FS
x2 V-ring seals	SNR	V70A

B

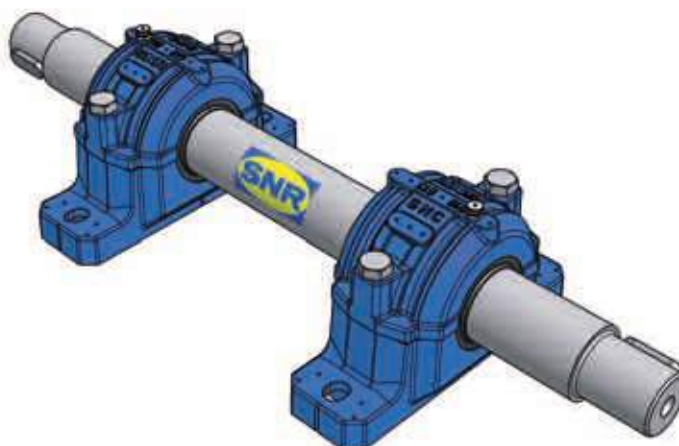
Pillow block housing for shaft end bearing arrangements; self-aligning roller bearing 23218K with adapter sleeve for shaft diameter 80 mm; double lip seal; regulation disc; fixed bearing version.

x1 Pillow block housing	SNR	SNC518-615
x1 Self-aligning roller bearing	SNR	23218K
x1 Adapter sleeve	SNR	H2318
x2 Locating rings	SNR	FR160x6,25
x1 Double lip seal	SNR	SC518DS
x1 Cover plate	SNR	SC518-615EC
x1 Regulation disc	SNR	RDC518

| Complete systems

SNR offers its customers the opportunity to jointly develop and produce application-specific complete systems. These bearing systems can be integrated directly into the relevant applications. The cost reduction, particularly for series production, justifies the purchase of finished system solutions. Logistical processes are simplified and installation times cut. In addition, the risk of mounting errors is avoided. Our name is your guarantee of correct mounting and optimum quality of the products used.

Benefit from our services.



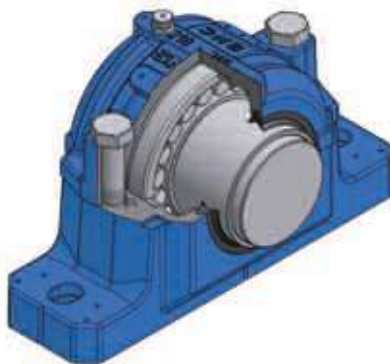
Sealing systems



There are a wide variety of sealing options for the housing due to the large number of applications. The correct choice of sealing system depends on several factors. Below, you will find important information about all of the sealing options that are included in the standard range of SNC bearing housings.

The sealing selection table on Page 17 provides a quick overview of the technical properties and possible applications of SNC seals.

Double lip seals SC..DS



SNR's double lip seals have two parts, which makes them particularly easy to fit.

They are made of the material NBR (butadiene acrylonitrile rubber). The durability and elasticity of the material ensure an excellent sealing effect. The circumferential speeds can be up to 8 m/s.

For shaft diameters greater than 100mm, max. misalignment of 0.5°, for bearing units with shafts smaller than 100 mm max. 1°. The shaft diameter should lie within the tolerance field h9.

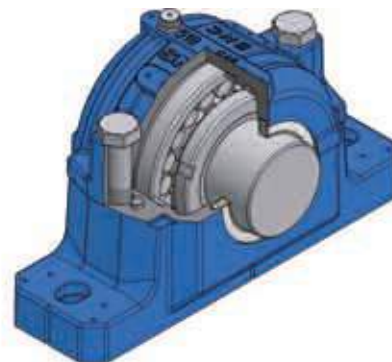
We recommend ground shafts with a roughness of less than R_a 3.2 μm .

The permissible temperature range for this seal is between -40 °C and +100 °C. Higher temperatures are possible using appropriate materials.

Our application engineers will be happy to advise you on the options.

Note that one seal must be ordered for each side of the housing. The delivery includes two half seals.

Felt strip seal SC..FS

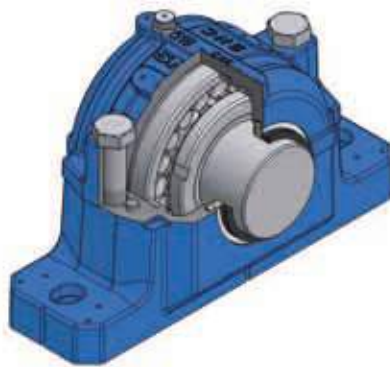


The felt strip seals are a reliable standard seal for SNC bearing housings. They are easy to fit and after a running-in phase can be used for circumferential speeds of up to 15 m/s (running-in phase up to approx. 5 m/s). Felt strip seals are suitable for grease lubrication and temperatures of between -40 °C and +100 °C. We can also offer you a choice of special materials for the use of higher temperatures. Misalignment may not be greater than approx. 0.5°. A roughness of R_a 3.2 μm must not be exceeded in the contact area.

Note that one seal must be ordered for each side of the housing. The delivery includes the two felt strips, the two-part aluminium retainer and 2 round cords.

The felt strips are soaked in oil and fitted in the retainers at the factory and can be used immediately. No retainers are required for some bearing housings. Here, the felt strip is inserted directly into the housing groove.

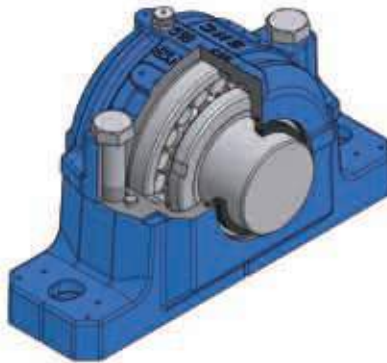
V-ring seal - optional



In addition to a felt strip seal (SC...FS), SNC bearing housing units can be fitted with optional V-rings made of NBR (butadiene acrylonitrile rubber). With this combination, the sealing lip has an axial contact with the retainer, ensuring an even better sealing effect (for permissible circumferential speed, see SC...SV).

Note that one seal must be ordered for each side of the housing. The delivery includes an A version of the V-ring.

V-ring seal with contact washer SC..SV



The SC...SV seal consists of a contact washer made of corrosion-protected sheet steel with a vulcanised rubber lip and the V-ring made of NBR (butadiene acrylonitrile rubber). The contact washer is fixed in the sealing groove between the upper and lower section. The sealing lip of the V-ring has an axial contact with the contact washer. For shafts with a diameter of up to 50 mm, misalignment of up to approx. 1.5° is possible. Larger shaft diameters may not exceed a misalignment of 1°.

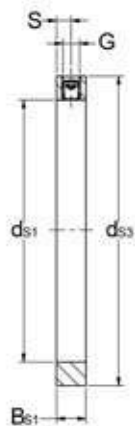
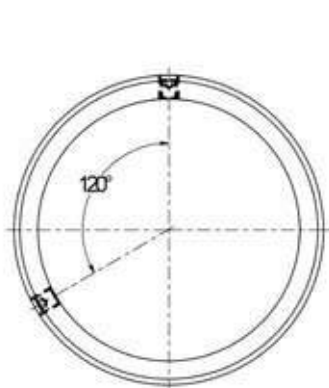
For higher circumferential speeds, V-rings can also be secured axially and/or radially. For this purpose, SNR recommends the use of supporting rings that can be fitted directly behind the V-rings. The following table shows the corresponding dimensions of the supporting rings. For V-ring seals that are not axially secured, circumferential speeds of up to 7 m/s are permitted. Axially secured: 12 m/s. Axially and radially secured: More than 12 m/s. The operating temperatures for these seal versions are between -40°C and +100°C.

Note that one seal must be ordered for each side of the housing. The delivery includes one contact washer and the corresponding V-ring.

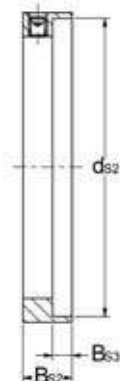


Dimensions of supporting rings for V-ring seals

Shaft diameter		Dimensions							Set screw
d, d ₁	d _{S1}	d _{S2}	B _{S1}	B _{S2}	B _{S3} [mm]	d _{S3}	s	G	DIN 913
20	20	27,2	7	10,5	3,5	30	3,5	M4	4x4,5
25	25	32,1	7	10,5	3,5	35	3,5	M4	4x4,5
30	30	37,2	7	10,5	3,5	40	3,5	M4	4x4,5
35	35	42,2	7	10,5	3,5	45	3,5	M4	4x4,5
40	40	49,1	7	12,0	4,5	53	3,5	M4	4x5
45	45	54,0	7	12,0	4,5	58	3,5	M4	4x5
50	50	59,1	7	12,0	4,5	63	3,5	M4	4x5
55	55	64,1	7	12,0	4,5	68	3,5	M4	4x5
60	60	69,1	7	12,0	4,5	73	3,5	M4	4x5
65	65	74,1	7	12,0	4,5	78	3,5	M4	4x5
70	70	81,0	10	16,0	6,0	84	4,5	M5	5x6
75	75	86,0	10	16,0	6,0	89,5	4,5	M5	5x6
80	80	91,0	10	16,0	6,0	94,5	4,5	M5	5x6
85	85	96,0	10	16,0	6,0	100	4,5	M5	5x6
90	90	101,0	10	16,0	6,0	105	4,5	M5	5x6
95	95	106,0	10	16,0	6,0	109	4,5	M5	5x6
100	100	111,0	10	16,0	6,0	115	4,5	M5	5x6
110	110	122,9	11	18,0	7,5	128	5,0	M6	6x8
115	115	127,4	11	18,0	7,5	133	5,0	M6	6x8
125	125	138,1	11	18,0	7,5	143	5,0	M6	6x8
135	135	147,5	11	18,0	7,5	153	5,0	M6	6x8
140	140	152,9	11	18,0	7,5	158	5,0	M6	6x8
145	145	158,1	11	18,0	7,5	163	5,0	M6	6x8
155	155	167,5	11	19,0	8,5	173	5,0	M6	6x8
165	165	179,9	11	19,0	8,5	185,5	5,0	M6	6x8
175	175	189,3	11	19,0	8,5	195	5,0	M6	6x8

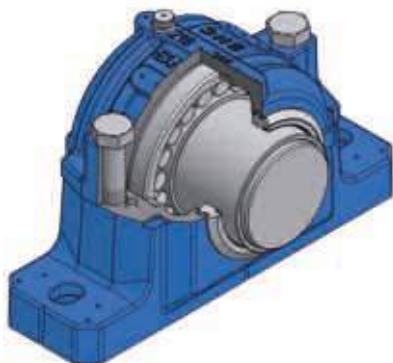


Axially secured



Axially and radially secured

Labyrinth seal SC..LA



For adverse ambient conditions, all SNC bearing housings can be fitted with labyrinth seals. The sealing ring and the sealing groove in the housing form a labyrinth with a narrow sealing gap. The great advantage of these seals is that the bearing arrangement can be operated at the permissible speed for the bearings used. The labyrinth ring is synchronised on the shaft by the installed round cord.

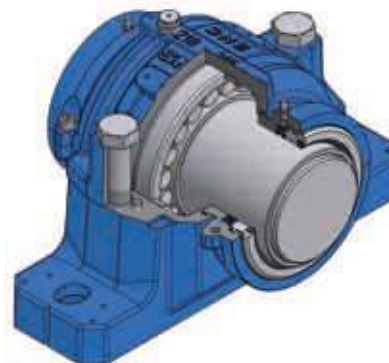
The maximum misalignment of the shaft may not be greater than 0.3° .

The operating temperature range for this seal is between -40°C and $+200^\circ\text{C}$.

Optional relubrication of the labyrinth seal is possible. The marking points cast into the housing above the sealing groove are used for this purpose.

Note that one seal must be ordered for each side of the housing. The delivery includes a labyrinth ring (material: cast iron or steel) and the associated round cord.

Taconite seal SC..TA



This type of seal is predominantly used where extreme ambient conditions prevail. Thanks to its exceptionally robust design, the sealing system protects against fine dust and large dirt particles and is secure against moisture. Overall, three different sealing systems within the component are responsible for the outstanding sealing effect:

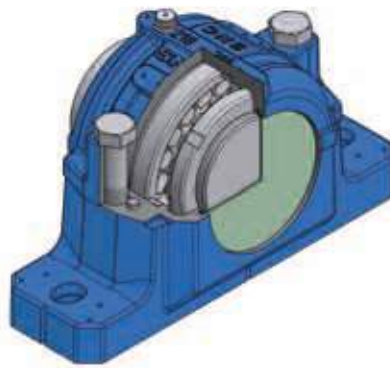
- Labyrinth ring that can be relubricated (threaded bore M6) with radial cross pieces;
- Shaft sealing;
- Cavity completely filled with grease, which acts as a grease lock.

The separable Taconite seal is fixed in the sealing groove between the upper and lower housing sections using an O ring. The labyrinth ring rotates with the shaft. This is ensured by a round cord that is inserted between the shaft and the labyrinth ring. The shaft sealing ring is pressed into the stationary part of the seal. The sealing lip slides on the shaft. The shaft diameter should lie within the tolerance field h9. We recommend twist free ground shafts with a roughness of less than $R_a 3.2 \mu\text{m}$. Misalignment of up to 0.5° is technically possible. The permissible temperature range for this seal is between -40°C and $+100^\circ\text{C}$. Circumferential speeds of up to 10 m/s can be realised. Higher temperatures are possible using appropriate materials. Our application engineers will be happy to advise you on the options we offer.

Note that one seal must be ordered for each side of the housing. The delivery includes a completely assembled Taconite seal (lubricating fitting included).



Cover plate SC...EC



Cover plates are available for all SNC bearing housings. The cover plate is made of corrosion-resistant sheet steel and has a circular rubber lip made of NBR (butadiene acrylonitrile rubber). It is fixed in the sealing groove between the upper and lower section and effectively seals the housing. Cover plates can be combined with any other seal in the SNC range. The temperature range for cover plates is between -40°C and $+100^{\circ}\text{C}$.

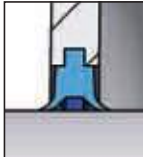

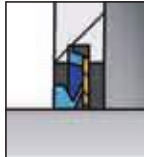

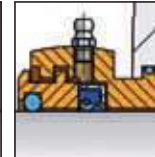












































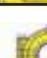




For details of the dimensions of the permissible shaft ends, refer to the dimension table (dimension w_1).
The delivery includes one cover plate with vulcanised rubber lip.

Special seals

In special cases, it is possible that standard seals will not satisfy specific operating requirements. For example, if particularly high temperatures are required, SNC bearing housings can be fitted with seals made of special materials. SNR bearing housings can also be adapted with sealing solutions that differ from the standard design.

Our application engineers will be happy to advise you on the options we offer.

Seal selection

						
Structural properties		SC..DS Double lip seal	SC..FS Felt strip seal	SC..SV V-ring seal	SC..LA Labyrinth seal	SC..TA Taconite seal
Operating temperature	°C	-40...+100	-40...+100	-40...+100	-40...+200	-40...+100
Circumferential speed	m/s	< 8	< 15	< 7 ³⁾	> 15	< 10 ⁴⁾
Possible misalignment	degrees	0,5...1	< 0,5	1...1,5	< 0,3	< 0,5
Relubrication						
Low friction			 ¹⁾			 ¹⁾
Suitable for floating bearings						
Vertical installation				 ²⁾		
Sealing behaviour for:						
Splash water / moisture						
Ultra fine particles						
Fine particles						
Large particles						
Sharp-edge particles						
UV resistance						



Ideally suited



Limited suitability



Suitable



Unsuitable

¹⁾ During running-in phase up to approx. 5m/s

²⁾ If V-ring is fitted inside on underside.

³⁾ Without additional supporting ring (axially secured: 7-12 m/s); axially and radially secured: >12 m/s)

⁴⁾ Depending on shaft diameter

Bearing arrangement construction



SNC bearing housings are designed to hold self-aligning roller or ball bearings. The choice of bearing type and the design of the bearing arrangement depend primarily on the type of application.

Bearings with cylindrical bore

Rolling bearings with a cylindrical bore are mounted directly on the shaft. The selected shaft tolerance should depend on the application and the bearings used. The inner ring of the rolling bearing must be supported against a shaft shoulder.

The bearing must always be fitted securely onto the shaft. For easy, safe and quick mounting of the bearings, we recommend the use of an SNR induction heating device.

Information about this can be found in the SNR *Maintenance Services* catalogue.

Bearings with a cylindrical bore are particularly well suited for:

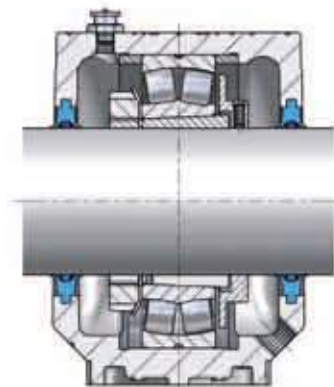
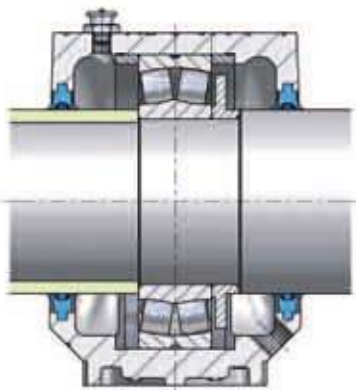
- Applications in which large axial loads have to be absorbed;
- Series mounting
- Bearing arrangements that are exposed to significant shock loads.

Bearings with tapered bore

Rolling bearings with a tapered bore are mounted on the shaft using an adapter sleeve. The tolerance field of the shaft can be greater than for bearings with a cylindrical bore. Basically, any drawn shafts produced in the tolerance field h9 can be used. The inner ring of the bearing is fixed on the sleeve by axial preload. Adherence to the specified radial bearing clearance after mounting must be ensured. The relevant values can be found in the table on Page 28.

Bearings with a tapered bore are particularly well suited for:

- Bearing locations in which the exact position of the bearing is not known in advance;
- Applications that have to proceed without machining of the shafts;
- Constructions that do not allow any weakening of the shafts;
- Bearing arrangements that are adapted to particular operating conditions by adjusting the bearing clearance.



| SNR bearings in **PREMIER** quality

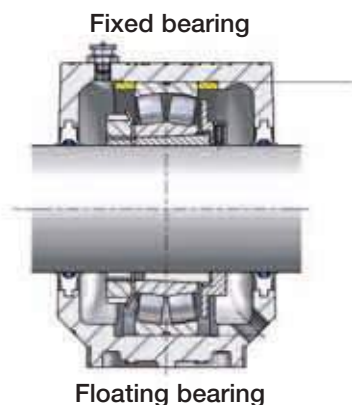


SNR **PREMIER** self-aligning roller bearings are designed for applications in which high loads, severe imbalance, dirt, shocks and vibrations can occur. To improve on the excellent performance and reliability of the series, the SNR **PREMIER** self-aligning roller bearings have been optimised in terms of their load ratings and service life. By using high-purity steels, optimizing the internal construction and improving the manufacturing methods, the load ratings have been successfully increased by 18%, bringing a 75% rise in the service life.

| To find out more about SNR's **PREMIER** quality self-aligning roller bearings, ask for your catalogue.

| Fixed / floating bearing version

SNC bearing housings can be used for both fixed and floating bearing arrangements. The locating rings available from SNR enable the bearings used to be fixed in place axially. The width of the locating rings is adapted to the size of the relevant bearing. The exact designation can be found in the dimension table. To secure the bearings in the housing, two locating rings per housing are necessary.

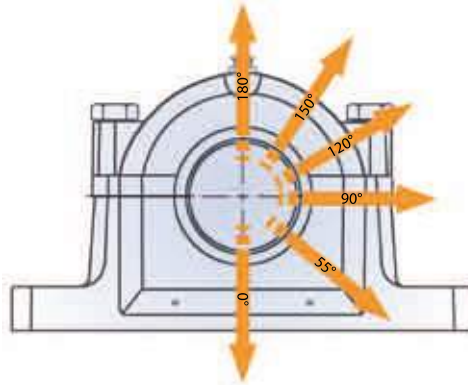


| More information about the construction and design of bearing arrangements can be found in our main **SNR rolling bearing catalogue**.



Loads and torques

The table below contains information about the breaking loads of SNC bearing housings and the maximum loading capacity of the connecting bolts between the upper and lower section and the foot bolts. The load directions and the safety factor selected for the appropriate operating conditions can be used to determine the permissible loads. In general, a safety factor of 6 is used for engineering calculations. The specified values are intended solely as reference values.



Housing size		Housing breaking loads in load direction						Connecting bolts (upper/lower section) ¹⁾	Max. Load capacity for both bolts in load direction			Recommended tightening torque [Nm]	Foot bolts ¹⁾ Property class 8,8	Max. tightening torque [Nm]
		0°	55°	90°	120°	150°	180°		Property class 8.8	120°	150°			
205	505	180	160	95	70	60	80	M10x40	60	35	30	65	M12	87
206	305 506 605	200	170	100	80	67	85	M10x40	60	35	30	65	M12	87
207	306 507 606	224	190	121	85	80	95	M10x45	60	35	30	65	M12	87
208	307 508 607	265	220	132	95	85	115	M12x50	80	45	40	65	M12	87
209	509	280	235	140	100	90	120	M12x55	80	45	40	65	M12	87
210	308 510 608	315	265	160	121	110	140	M12x55	80	45	40	65	M12	87
211	309 511 609	355	280	170	125	118	145	M16x60	180	100	90	150	M16	210
212	310 512 610	355	300	180	132	125	160	M16x60	180	100	90	150	M16	210
213	311 513 611	400	345	210	150	132	170	M16x70	180	100	90	150	M16	210
214		450	360	220	160	145	185	M16x70	180	100	90	150	M16	210
215	312 515 612	475	411	250	185	160	215	M16x70	180	100	90	150	M16	210
216	313 516 613	500	430	265	190	175	220	M16x80	180	100	90	290	M20	410
217	314 517	560	480	290	205	191	250	M16x80	180	100	90	290	M20	410
218	315 518 615	670	550	340	250	220	285	M20x90	260	150	130	290	M20	410
219	316 519 616	710	580	355	265	230	300	M20x100	260	150	130	290	M20	410
220	317 520 617	750	630	375	280	250	320	M24x100	360	210	180	500	M24	710
	318 618	800	670	400	315	280	340	M24x110	360	210	180	500	M24	710
222	319 522 619	950	800	450	355	320	400	M24x130	360	210	180	500	M24	710
224	320 524 620	950	800	475	355	320	420	M24x130	360	210	180	500	M24	710
226	526	1060	900	540	410	360	450	M24x130	360	210	180	500	M24	710
228	528	1250	1060	630	475	430	530	M24x140	360	210	180	1005	M30	1430
230	530	1400	1200	730	540	480	600	M24x150	360	210	180	1005	M30	1430
232	532	1700	1450	860	640	570	730	M30x160	730	430	360	1005	M30	1430

¹⁾ ISO 4014 (DIN EN 24014)



Lubricant quantities

The SNC series bearing housings are developed with grease lubrication for operation. High speeds or temperatures, heavy loads and adverse ambient conditions are all influencing factors that necessitate relubrication or replacement of the lubricant. Constant lubricant supply, for example from a central lubricating system, is also conceivable.

For the initial fill, it is essential to make sure that the correct quantity of grease is added. For details, refer to the table below.

More information about lubrication of SNC pillow block housings can be found in the *operating and maintenance instructions for the SNC housings*.

Housing size				Grease quantity
SNC				Initial fill (approx. 60% of cavity) [g]
205		505		30
206	305	506	605	45
207	306	507	606	65
208	307	508	607	80
209		509		105
210	308	510	608	130
211	309	511	609	180
212	310	512	610	210
213	311	513	611	270
214				290
215	312	515	612	330
216	313	516	613	440
217	314	517		500
218	315	518	615	650
219	316	519	616	700
220	317	520	617	900
		318	618	1100
222	319	522	619	1200
224	320	524	620	1400
226		526		1600
228		528		2000
230		530		2500
232		532		3000



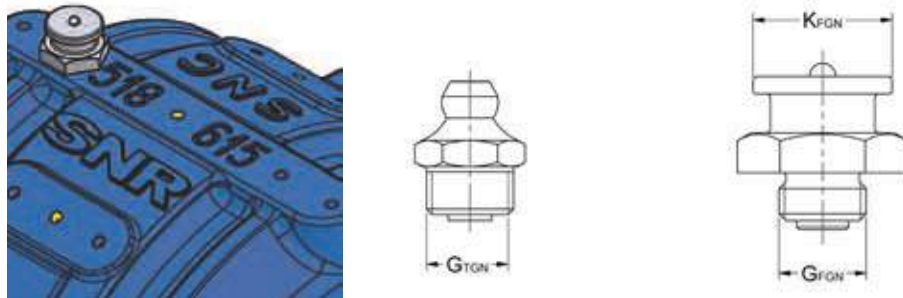
Lubricating fitting and lubricant duct

Several centre punching points on the upper section of the housing indicate the possible positions for threaded holes. Lubricant is normally supplied to the bearings from the side. SNC housings are given a threaded hole in the factory. When delivered, this is sealed with a plastic plug. Bearings that allow relubrication using the outer ring can also be supplied directly with lubricant using one of the three possible lubricant ducts (see left-hand figure). Each SNC includes one flat headed and one tapered lubricating fitting located inside the housing.

Lubricating fitting dimensions

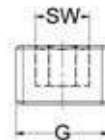
Housing	Size				Flat	Tapered	G_{FGN}	G_{TGN}	K_{FGN}
					DIN 3404	DIN 71412			
SNC	205		505		FGN-M6-10 ¹⁾	TGN-M6	M6x1	M6x1	10mm
SNC	206-210	305-308	506-510	605-608	FGN-M10-10 ¹⁾	TGN-M10	M10x1	M10x1	10mm
SNC	211-232	309-320	511-532	609-620	FGN-M10-16	TGN-M10	M10x1	M10x1	16mm

¹⁾ Based on DIN 3404



Sealing plug and grease drain hole

To allow excess grease to escape from the housing during relubrication, there is a grease drain hole opposite the lubricant duct. It is situated below the shaft outlet opening. It is sealed with a metal threaded plug in the factory. In addition to the default position, other locations can also be selected for the grease drain hole. These positions are indicated by centre punching.



Sealing plug dimensions

Housing	Size				Width across	
					flats SW	G
SNC	205-210	305-308	505-510	605-608	4	M10x1
SNC	211-215	309-312	511-515	609-612	6	M12x1,5
SNC	216-220	313-318	516-520	613-618	8	M16x1,5
SNC	222-232	319-320	522-532	619-620	10	M20x1,5

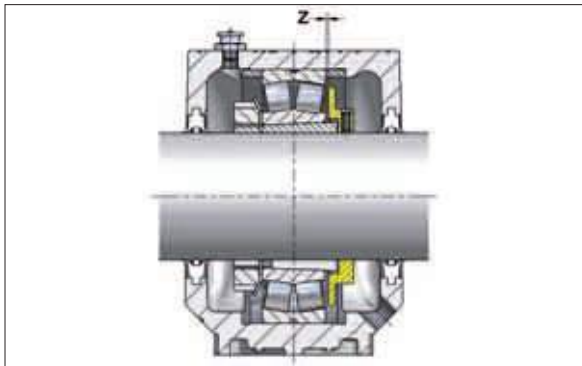


Regulation discs RDC

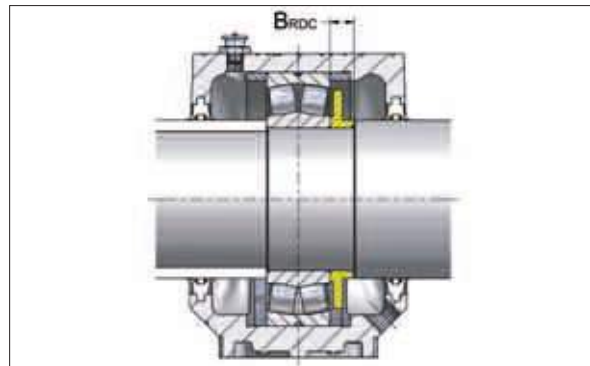
The single-part grey cast iron regulation discs can be fitted in every SNC housing as an option. They are primarily required to convey excess quantities of grease out of the interior of the housing (grease drain hole must be open). The gap between the regulation disc, the bearing and the housing results in a regulating conveying effect for the lubricant during operation. The excess grease is discharged from the bearing. During installation and after each relubrication interval, this has the advantage that the steady state temperature is reached more quickly. Practical experience has also shown that the operating temperature of the bearing arrangements with regulation discs is less than those without regulation of the grease quantity, particularly at very high speeds. Accumulations of grease can lead to a rapid increase in the bearing temperature. This would result in hot running of the rolling bearings and premature failure. In units with an adapter sleeve, they are attached to the shaft using two set screws. In bearing units with cylindrical bearings, the regulation discs are secured axially between the shaft shoulder and the bearing. The tightening torques for the fastening bolts are shown in the table below. To ensure that the regulation disc functions correctly, the mounting instructions must be followed as exactly as possible. The regulation disc should be positioned as specified in the upper table.

Mounting

Regulation discs must be mounted on the side of the grease drain hole. When using rolling bearings with adapter sleeves, it must be ensured that the groove nuts are positioned on the lubricating fitting side.



Use of regulation disc in bearing arrangement with adapter sleeve mounting.



Use of regulation disc in bearing arrangement with cylindrical bore.

Abutment dimensions			Distance Bearing outer ring - regulation disc Z [mm]
Housing	Size		
SNC	505-509	605-607	2
SNC	510-518	608-615	3
SNC	519-532	616-620	4

Tightening torques and widths across flats				
Regulation disc	Size		Width across flats [mm]	Max. tightening torque [Nm]
	RDC	505-512		
RDC	513-519	613-618	3,0	5,5
RDC	520-532	619-620	4,0	11,5

Abutment dimensions for B_{RDC} regulation disc in bearing arrangement with cylindrical bore

200 Series	
Size	[mm]
RDC205	7,5
RDC206	8,5
RDC207	9
RDC208	8
RDC209	12
RDC210	8
RDC211	9
RDC212	11
RDC213	12,5
RDC214	18
RDC215	11
RDC216	11
RDC217	14
RDC218	15
RDC219	18
RDC220	18
RDC222	22
RDC224	24
RDC226	22
RDC228	22
RDC230	35
RDC232	40

300 Series	
Size	[mm]
RDC305	9
RDC306	9
RDC307	9
RDC308	9
RDC309	10
RDC310	10
RDC311	10
RDC312	10
RDC313	12
RDC314	15
RDC315	15
RDC316	20
RDC317	18
RDC318	20
RDC319	24
RDC320	24

Housing fixing

Markings for mounting on T profiles

Four markings in housing foot specify the positions that can be used for alternative fastening holes. These should be used if the housing cannot be mounted using the two centrally positioned fastening holes. For example, this can be the case when attaching to T profiles. The corresponding distances for the connections and the bore diameters can be found in the table on Page 26.

Pin markings for additional dowel pins

SNC bearing housings can be fixed onto the mounting surface using additional dowel pins. To do this, drill holes at the four marking points for the dowel pins. Pinning is useful if extremely high loads will occur parallel to the mounting surface. The position of the holes in the support surface and the recommended dowel pin diameters can be found in the table on Page 26.

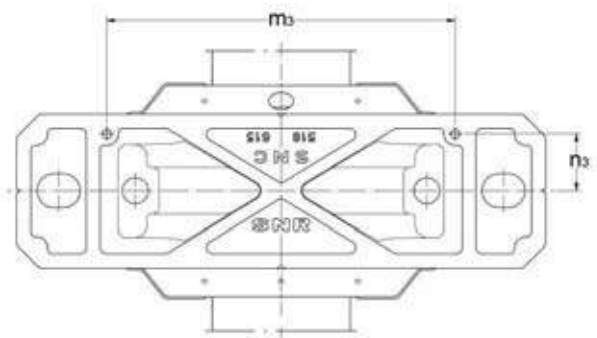
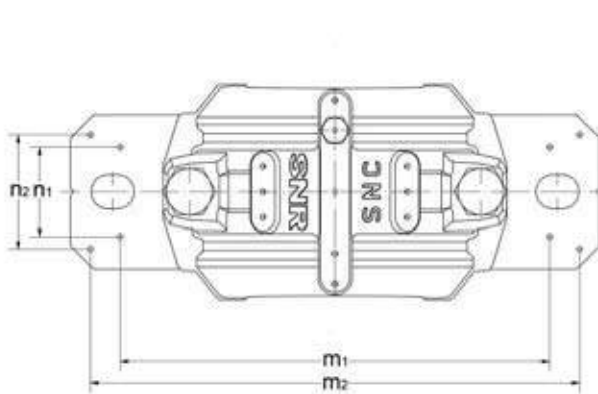
Mounting holes

The holes drilled on the underside of the housing foot simplify precise alignment of the units in series production. Dowel pins that have been pre-installed in the mounting surface as set out in the table on Page 26 indicate the exact positions. If modification of the housing is necessary, the mounting holes can also be used for alignment on a processing machine with no problems.



Housing fixing

Housing sizes SNC				Marking for mounting			Pin marking			Mounting bore		
				m_1	n_1	Bore \emptyset	m_2	n_2	Pin \emptyset	$m_3 \pm 0,1$	$n_3 \pm 0,1$	Pin \emptyset
205	505			116	28	7	152	32	5	101	18	5
206	305	506	605	130	25	7	172	38	5	113	18	5
207	306	507	606	135	25	7	172	38	5	113	18	5
208	307	508	607	160	34	11	188	44	6	130	22	5
209		509		160	34	11	188	44	6	130	22	5
210	308	510	608	160	34	11	188	44	6	130	22	5
211	309	511	609	200	40	14	234	49	8	162	24	6
212	310	512	610	200	40	14	234	54	8	162	24	6
213	311	513	611	220	48	14	252	58	8	182	29	6
214				220	48	14	252	58	8	182	29	6
215	312	515	612	220	48	14	257	58	8	186	31,5	6
216	313	516	613	252	52	18	288	66	8	210	32,5	6
217	314	517		252	52	18	292	66	8	210	32,5	6
218	315	518	615	280	58	18	317	70	8	227	37	6
219	316	519	616	280	58	18	317	70	8	227	37	6
220	317	520	617	300	66	18	348	78	8	250	40	8
	318		618	300	66	18	348	78	8	250	40	8
222	319	522	619	320	74	18	378	88	8	282	45	8
224	320	524	620	330	74	18	378	88	8	282	45	8
226		526		370	80	22	414	92	12	302	49,5	8
228		528		400	92	26	458	108	12	327	59	8
230		530		430	100	26	486	116	12	352	62	8
232		532		450	100	26	506	116	12	372	62,5	8



| **Mounting the bearings**

It is often the case that mounting errors cause the premature failure of a bearing arrangement. We therefore recommend that the mounting instructions are followed as closely as possible to ensure that the rolling bearings are properly mounted.

Use of the correct tools is also a prerequisite. SNR supplies useful accessories that simplify the mounting work and prevent damage to the bearings.

| **Request our SNR *Maintenance Services* catalogue for details.**

Bearing with cylindrical bore

A distinction is made between mounting the rolling bearings in a warm or cold condition. The type of mounting depends on the bearing dimensions - bearings with a bore diameter above 40 mm should be mounted when warm.

Using an SNR induction heating device allows the bearings to be heated to the specified temperature, so that they can be attached to the shaft with no problems. Cold mounting is carried out using a hydraulic press or a suitable alternative tool. For mounting with a mounting sleeve and hammer, it must be ensured that the force must always act on the fixed bearing ring. The end of the tube adjacent to the rolling bearing ring must be planar and perpendicular to the tube axis. The mounting force should act in the shaft axis. Direct contact between the hammer and the bearing is to be avoided.

Bearing with tapered bore (adapter sleeve mounting)

The radial clearance of the bearing must be checked using feeler gauges (use SNR feeler gauges + mounting card). Slide the rolling bearing onto the sleeve and mount the lock washer and the groove nut. Do not fully tighten the groove nut. Slide the pre-mounted rolling bearing and sleeve to the desired position on the shaft. The floating bearing should always be positioned in the centre of the housing. To check this, the shaft can be provisionally placed in the housing. The adapter sleeve is now tightened using a hook spanner (available from SNR). During the tightening process, the reduction of the clearance in the rolling bearing must be constantly checked using the feeler gauges. The specified clearance reduction can be found in the table on Page 28 or the SNR mounting card available separately. When mounting the self-aligning ball bearings, the groove nut is tightened until the clearance is almost zero. It must be ensured that the outer ring of the bearing can still be easily turned by hand. The groove nut is fixed and secured by bending a tongue on the lock washer into a groove on the groove nut. The bearings are then filled with the required quantity of grease.

| **More information about mounting SNR rolling bearings can be found in our main *rolling bearing catalogue* and in the *operating and maintenance instructions for SNC pillow block housings*.**



Mounting

Radial clearance reduction when mounting SNR self-aligning roller bearings with tapered bore

Nominal dimension	Radial clearance before mounting clearance group						Reduction of radial clearance		Displacement on taper 1:12				Displacement on taper 1:30				Check value for minimum radial clearance after mounting		
	d Above to [mm]	normal min. [mm]	normal max. [mm]	C3 min. [mm]	C3 max. [mm]	C4 min. [mm]	C4 max. [mm]	min. [mm]	max. [mm]	Shaft min. [mm]	Shaft max. [mm]	Sleeve min. [mm]	Sleeve max. [mm]	Shaft min. [mm]	Shaft max. [mm]	Sleeve min. [mm]	Sleeve max. [mm]	normal [mm]	C3 [mm]
30 40	0,035	0,05	0,05	0,065	0,065	0,085	0,02	0,025	0,35	0,4	0,35	0,45					0,015	0,025	0,04
40 50	0,045	0,06	0,06	0,08	0,08	0,1	0,025	0,03	0,4	0,45	0,45	0,5					0,02	0,03	0,05
50 65	0,055	0,075	0,075	0,095	0,095	0,12	0,03	0,04	0,45	0,6	0,5	0,7					0,025	0,035	0,055
65 80	0,07	0,095	0,095	0,12	0,12	0,15	0,04	0,05	0,6	0,75	0,7	0,85					0,025	0,04	0,07
80 100	0,08	0,11	0,11	0,14	0,14	0,18	0,045	0,06	0,7	0,9	0,75	1,0	1,7	2,2	1,8	2,4	0,035	0,05	0,08
100 120	0,1	0,135	0,135	0,17	0,17	0,22	0,05	0,07	0,7	1,1	0,8	1,2	1,9	2,7	2,0	2,8	0,05	0,065	0,1
120 140	0,12	0,16	0,16	0,2	0,2	0,26	0,065	0,09	1,1	1,4	1,2	1,5	2,7	3,5	2,8	3,6	0,055	0,08	0,11
140 160	0,13	0,18	0,18	0,23	0,23	0,3	0,075	0,1	1,2	1,6	1,3	1,7	3,0	4,0	3,1	4,2	0,055	0,09	0,13
160 180	0,14	0,2	0,2	0,26	0,26	0,34	0,08	0,11	1,3	1,7	1,4	1,9	3,2	4,2	3,3	4,6	0,06	0,1	0,15
180 200	0,16	0,22	0,22	0,29	0,29	0,37	0,09	0,13	1,4	2,0	1,5	2,2	3,5	4,5	3,6	5,0	0,07	0,1	0,16
200 225	0,18	0,25	0,25	0,32	0,32	0,41	0,1	0,14	1,6	2,2	1,7	2,4	4,0	5,5	4,2	5,7	0,08	0,12	0,18
225 250	0,2	0,27	0,27	0,35	0,35	0,45	0,11	0,15	1,7	2,4	1,8	2,6	4,2	6,0	4,6	6,2	0,09	0,13	0,2
250 280	0,22	0,3	0,3	0,39	0,39	0,49	0,12	0,17	1,9	2,6	2,0	2,9	4,7	6,7	4,8	6,9	0,1	0,14	0,22
280 315	0,24	0,33	0,33	0,43	0,43	0,54	0,13	0,19	2,0	3,0	2,2	3,2	5,0	7,5	5,2	7,7	0,11	0,15	0,24
315 355	0,27	0,36	0,36	0,47	0,47	0,59	0,15	0,21	2,4	3,4	2,6	3,6	6,0	8,2	6,2	8,4	0,12	0,17	0,26
355 400	0,3	0,4	0,4	0,52	0,52	0,65	0,17	0,23	2,6	3,6	2,9	3,9	6,5	9,0	6,8	9,2	0,13	0,19	0,29
400 450	0,33	0,44	0,44	0,57	0,57	0,72	0,2	0,26	3,1	4,1	3,4	4,4	7,7	10,0	8,0	10,4	0,13	0,2	0,31
450 500	0,37	0,49	0,49	0,63	0,63	0,79	0,21	0,28	3,3	4,4	3,6	4,8	8,2	11,0	8,4	11,2	0,16	0,23	0,35
500 560	0,41	0,54	0,54	0,68	0,68	0,87	0,24	0,32	3,7	5,0	4,1	5,4	9,2	12,5	9,6	12,8	0,17	0,25	0,36
560 630	0,46	0,6	0,6	0,76	0,76	0,98	0,26	0,35	4,0	5,4	4,4	5,9	10,0	13,5	10,4	14,0	0,2	0,29	0,41
630 710	0,51	0,67	0,67	0,85	0,85	1,09	0,3	0,4	4,6	6,2	5,1	6,8	11,5	15,5	12,0	16,0	0,21	0,31	0,45
710 800	0,57	0,75	0,75	0,96	0,96	1,22	0,34	0,45	5,3	7,0	5,8	7,6	13,3	17,5	13,6	18,0	0,23	0,35	0,51
800 900	0,64	0,84	0,84	1,07	1,07	1,37	0,37	0,5	5,7	7,8	6,3	8,5	14,3	19,5	14,8	20,0	0,27	0,39	0,57
900 1000	0,71	0,93	0,93	1,19	1,19	1,52	0,41	0,55	6,3	8,5	7,0	9,4	15,8	21,0	16,4	22,0	0,3	0,43	0,64
1000 1120	0,78	1,02	1,02	1,3	1,3	1,65	0,45	0,6	6,8	9,0	7,6	10,2	17,0	23,0	18,0	24,0	0,32	0,48	0,7
1120 1250	0,86	1,12	1,12	1,42	1,42	1,8	0,49	0,65	7,4	9,8	8,3	11,0	18,5	25,0	19,6	26,0	0,34	0,54	0,77



Preparation and important instructions for mounting

- It is important to ensure that mounting can be carried out in an environment that is dry and free of dust.
- The work station or mounting area must be cleaned before starting. Make sure that clean tools are used and that operators are familiar with all safety regulations for the equipment used in mounting.
- Working with compressed air is prohibited in the mounting area (exception: impact wrench).
- The bearings, adapter sleeves, locating rings and regulation discs should not be removed from their original packaging until immediately before mounting.

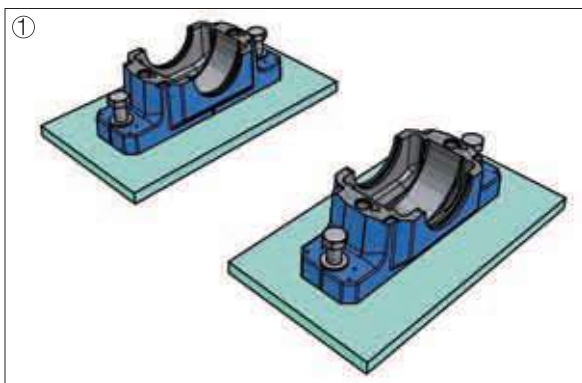
Caution: Do not wash bearings!

- The shaft, sleeves and the inner sections of the housing should be degreased or cleaned.
- It must be ensured that the clamping surface is clean and even (min. IT7, measured across diagonal). We recommend a roughness of approx. R_a 12.5 μ m for the clamping surface.
- The upper and lower sections of the housing have identical markings on the side. If several housings are being mounted simultaneously, they may not under any circumstances be exchanged.

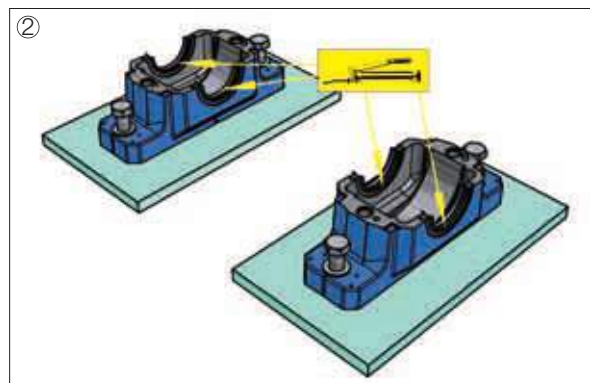
The SNC seals include mounting instructions in the packaging.



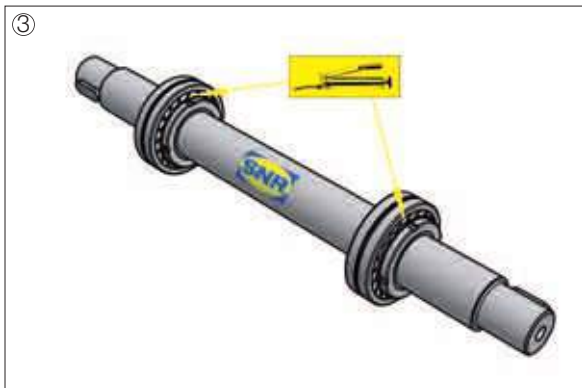
Double lip seal mounting SC..DS



① Securely position the lower sections of the housings.



② Insert half of the seal into the sealing grooves on each lower housing section. In units with an internal shaft end, only one seal is required in total. The cover plate SC..EC is used instead of the second seal in this case. Add lubricant to the cavity between the two sealing lips.



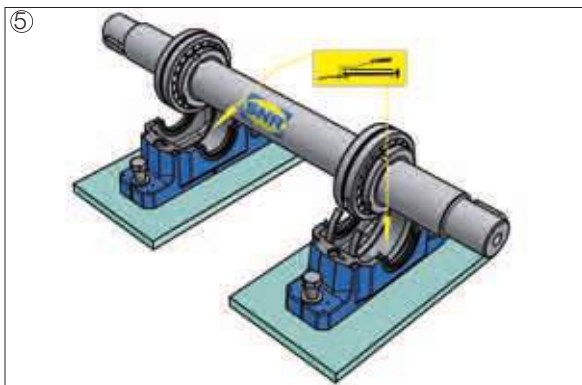
Clamp the shaft horizontally (protect the shaft against damage in the area of the clamping). The bearings should be positioned on the shaft as described in the *Mounting the bearings* section and completely filled with grease.



Insert the other halves of the seals into the sealing grooves on the upper housing sections and add lubricant in the cavity between the two sealing lips.

Units with regulation discs

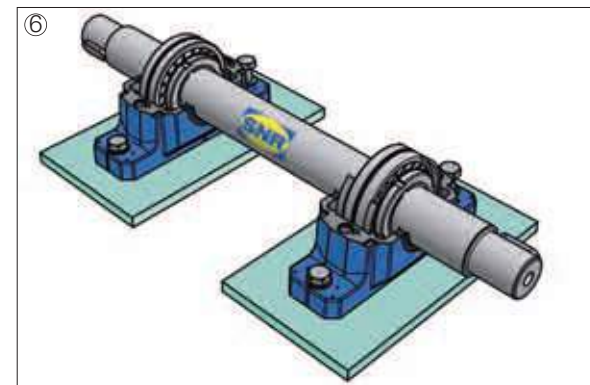
In units with a regulation disc, the regulation discs must be mounted on the grease drain hole side. The position of the shaft is specified in the table on Page 25. When using rolling bearings with adapter sleeves, it must be ensured that the groove nuts are positioned on the lubricating fitting side. Tighten the two set screws with the appropriate tightening torques as set out in the table on Page 24 (this only applies to 500 and 600 series regulation discs).



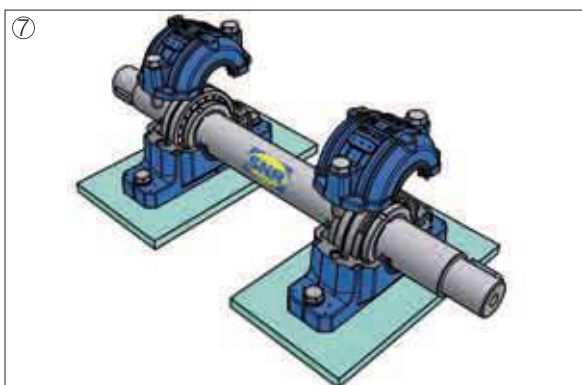
Insert the pre-mounted shaft into the lower housing section. For the floating bearing version, position the bearing centrally on the bearing seat. Distribute the remaining quantities of grease (table on Page 22) evenly in the lower housing sections.

Locating rings

For the fixed bearing version, insert the two locating rings on each side of the bearing in the lower housing section.



Position the lower housing section correctly using the alignment markings and slightly tighten the foot bolts.

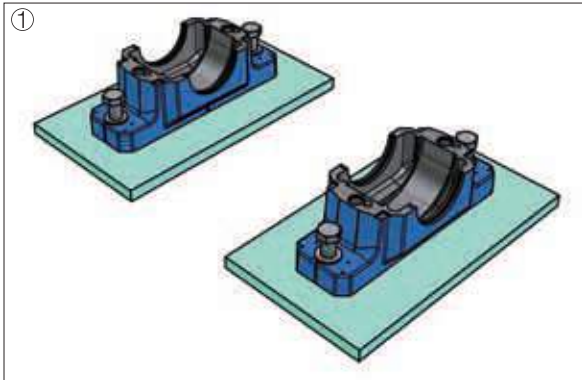
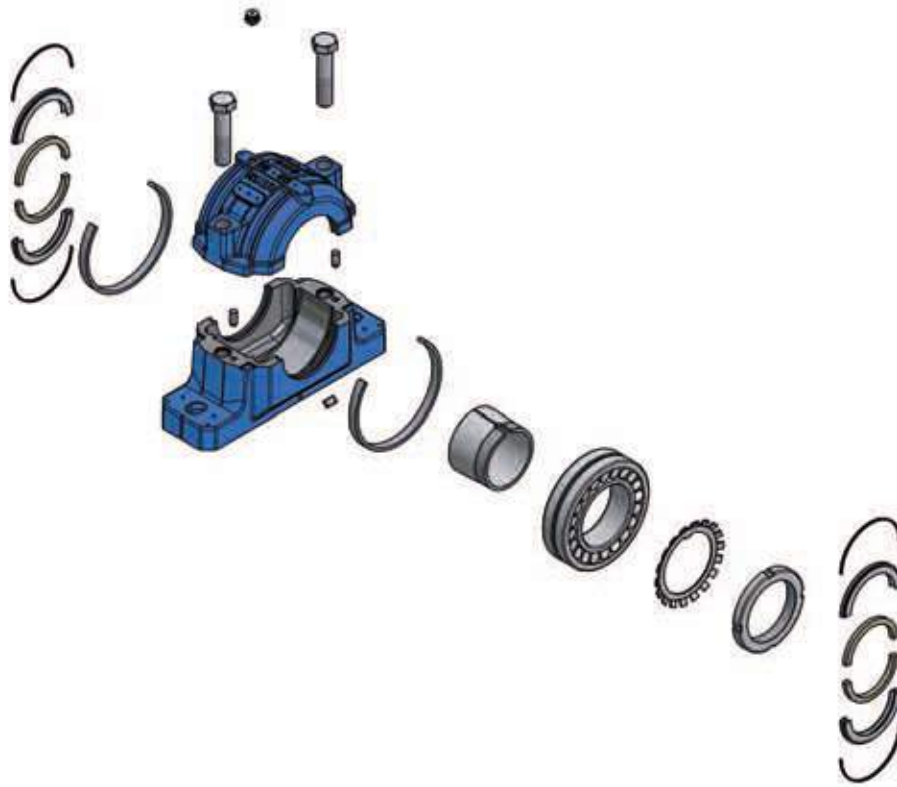


Position the upper housing section and tighten the connecting bolts evenly to the tightening torques specified in the table on Page 21.

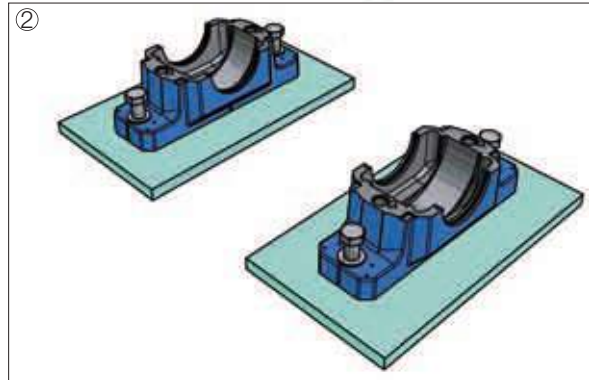
Check the alignment of the bearing housing again and then tighten the foot bolts to the appropriate tightening torque (table, Page 21).



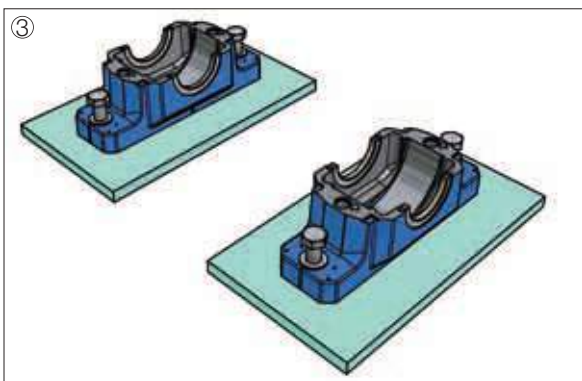
Felt strip seal mounting SC..FS



① Securely position the lower sections of the housings.



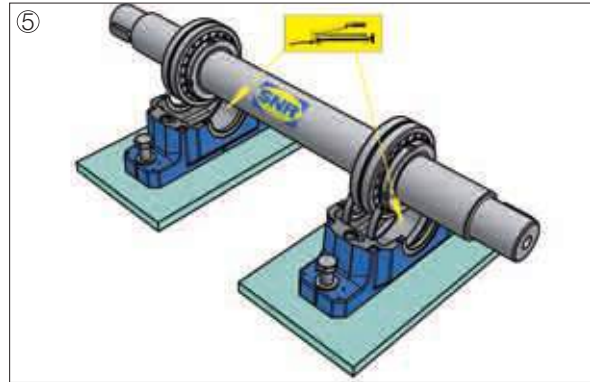
② Insert a round cord into the sealing grooves on each lower housing section. In units with an internal shaft end, only one seal is required in total. The cover plate SC..EC is used instead of the second seal in this case.



③ Insert the retainer containing the oil-soaked felt strips into the sealing grooves in the lower housing sections on top of the round cord.



Clamp the shaft horizontally (protect the shaft against damage in the area of the clamping). When using V-rings, slide those that are located between the bearing units (internal) onto the shaft. Later mounting is not possible. The bearings should be positioned on the shaft as described in the *Mounting the bearings* section and completely filled with grease.



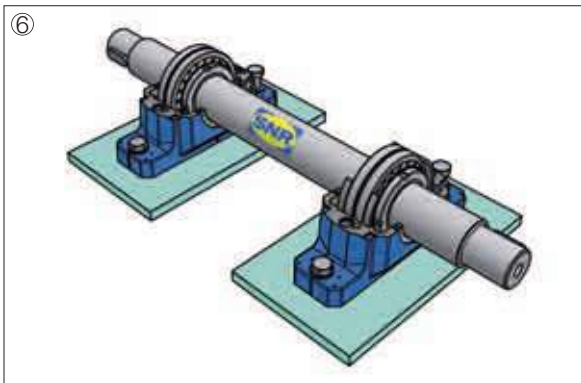
Insert the pre-mounted shaft into the lower housing section. For the floating bearing version, position the bearing centrally on the bearing seat. Distribute the remaining quantities of grease (table, Page 22) evenly in the lower housing sections.

Locating rings

For the fixed bearing version, insert the two locating rings on each side of the bearing in the lower housing section.

Units with regulation discs

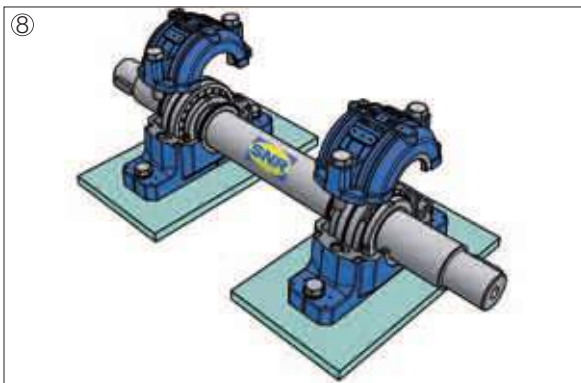
In units with a regulation disc, the regulation discs must be mounted on the grease drain hole side. The position of the shaft is specified in the table on Page 25. When using rolling bearings with adapter sleeves, it must be ensured that the groove nuts are positioned on the lubricating fitting side. Tighten the two set screws with the appropriate tightening torques as set out in the table on Page 24 (this only applies to 500 and 600 series regulation discs).



When using V-rings, now slide those located outside the housing onto the shaft. Position the lower housing section correctly using the alignment markings and slightly tighten the foot bolts.



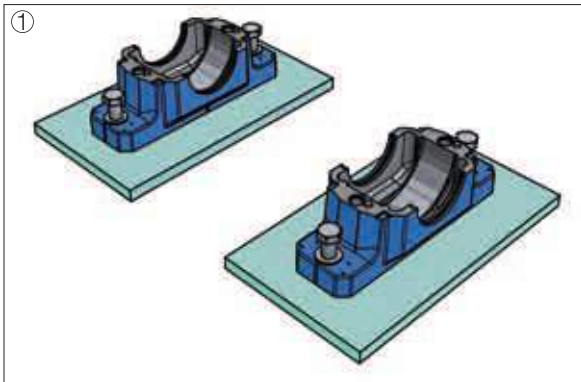
Insert the remaining round cords into the grooves on the upper housing sections and then insert the retainers containing the oil-soaked felt strips.



Position the upper housing section and tighten the connecting bolts evenly to the tightening torques specified in the table on Page 21. Slide all pre-mounted V-rings with sealing lips to their final position next to the contact washers. Grease the sealing lips first. Check the alignment of the bearing housing again and then tighten the foot bolts to the appropriate tightening torque (table, Page 21).



V-ring seal mounting SC..SV



① Securely position the lower sections of the housings.



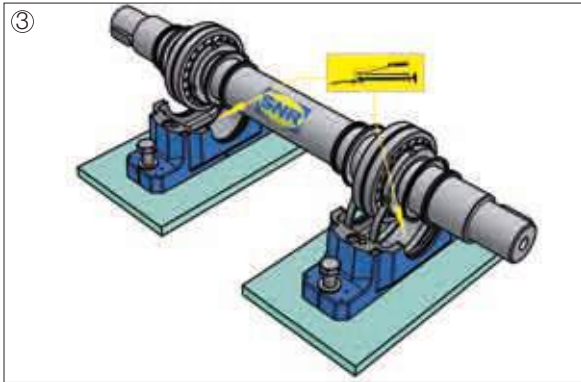
② Clamp the shaft horizontally (protect the shaft against damage in the area of the clamping). The internal contact washers and V-rings are slid onto the shaft first. The sequence and arrangement of the sealing elements is crucial to ensure correct mounting.

On units with an internal shaft end, only one contact washer and one V-ring is used. The cover SC..EC is used instead of the second seal in this case.

The bearings should be positioned on the shaft as described in the *Mounting the bearings* section and completely filled with grease.

Units with regulation discs

Regulation discs must be mounted on the side of the grease drain hole. The position of the shaft is specified in the table on Page 25. When using rolling bearings with adapter sleeves, it must be ensured that the groove nuts are positioned on the lubricating fitting side. Tighten the two set screws with the appropriate tightening torques as shown in the table on Page 24 (this only applies to 500 and 600 series regulation discs).

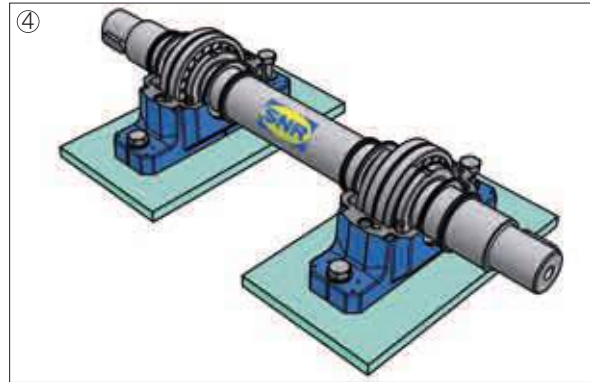


Insert the pre-mounted shaft into the lower housing section. Carefully insert the contact washers into the sealing grooves on the lower housing sections. For the floating bearing version position the bearing centrally on the bearing seat.

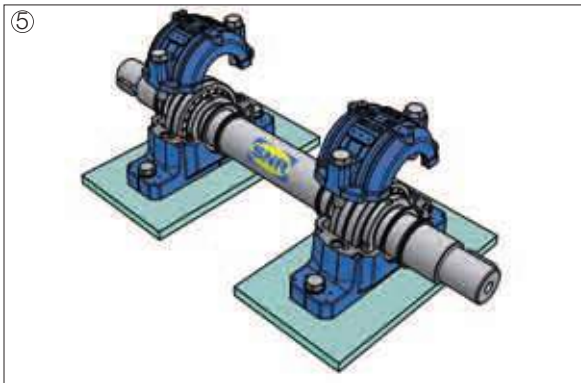
Distribute the remaining quantities of grease (table, Page 22) evenly in the lower housing sections.

Locating rings

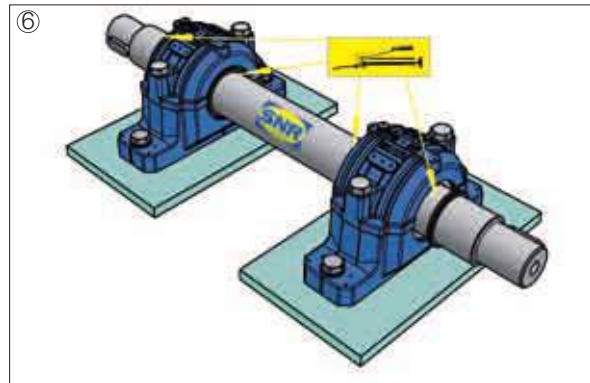
For the fixed bearing version, insert the two locating rings on the side of the bearing in the lower housing section.



Position the lower housing section correctly using the alignment markings and slightly tighten the foot bolts.



Position the upper housing section and tighten the connecting bolts evenly to the tightening torques specified in the table on Page 21.



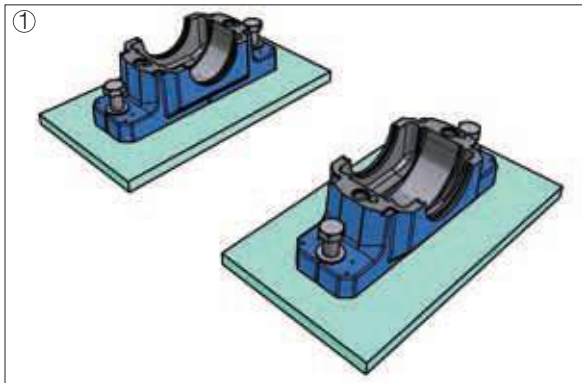
Slide all pre-mounted V-rings with sealing lips to their final position next to the contact washers. Grease the sealing lips first.

Check the alignment of the bearing housing again and then tighten the foot bolts to the appropriate tightening torque (table, Page 21).



Labyrinth seal mounting

SC..LA



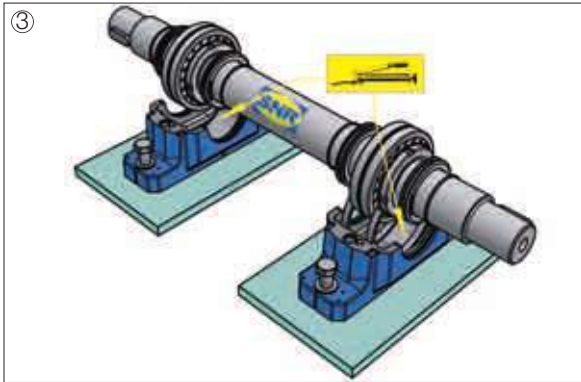
① Securely position the lower sections of the housings.



② Clamp the shaft horizontally (protect the shaft against damage in the area of the clamping).
 Slide the internal labyrinth rings onto the shaft.
 Ensure the correct mounting direction. On units with an internal shaft end, only one labyrinth seal is used.
 The cover plate SC..EC is used instead of the second seal in this case. The bearings should be positioned on the shaft as described in the *Mounting the bearings* section and completely filled with grease. Then position the external labyrinth rings on the shaft in the correct mounting direction.

Units with regulation discs

Regulation discs must be mounted on the side of the grease drain hole. The position of the shaft is specified in the table on Page 25. When using rolling bearings with adapter sleeves, it must be ensured that the groove nuts are positioned on the lubricating fitting side. Tighten the two set screws with the appropriate tightening torques as shown in the table on Page 24 (this only applies to 500 and 600 series regulation discs).

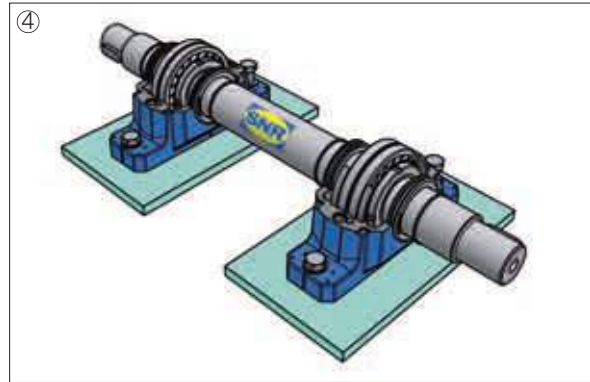


Insert the pre-mounted shaft into the lower housing section. Carefully insert the labyrinth seals into the sealing grooves on the lower housing sections. For the floating bearing version, position the bearing centrally on the bearing seat.

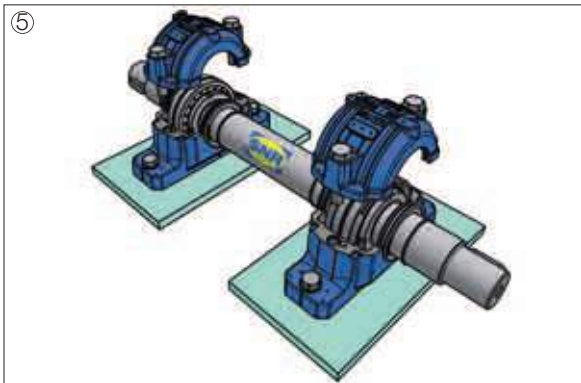
Distribute the remaining quantities of grease (table, Page 22) evenly in the lower housing sections.

Locating rings

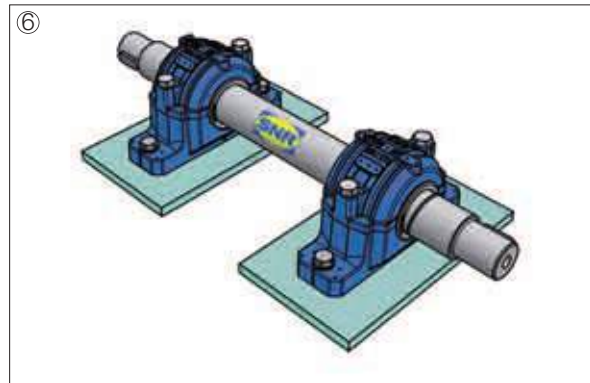
For the fixed bearing version, insert the two locating rings on each side of the bearing in the lower housing section.



Position the lower housing section correctly using the alignment markings and slightly tighten the foot bolts.



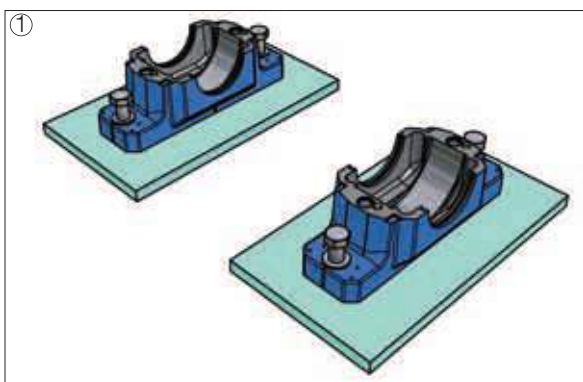
Position the upper housing section and tighten the connecting bolts evenly to the tightening torques specified in the table on Page 21.



Press a round cord into each circular groove between the shaft and the labyrinth ring. Using a screwdriver makes it easier to insert the cord.

Check the alignment of the bearing housing again and then tighten the foot bolts to the appropriate tightening torque (table, Page 21).

Taconite seal mounting SC..TA



Securely position the lower sections of the housings.



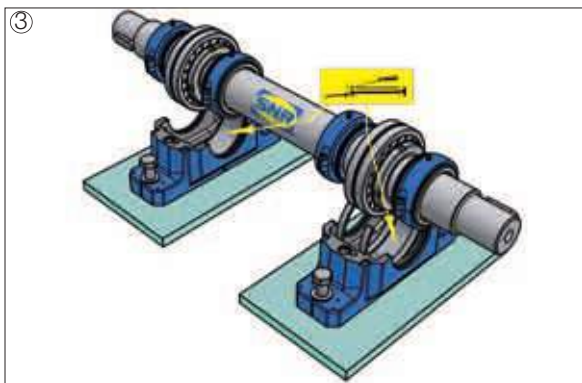
Clamp the shaft horizontally (protect the shaft against damage in the area of the clamping).

Before mounting the Taconite seals, lightly grease the shaft sealing rings. Slide the internal sealing elements into place so that the ring grooves with the O ring attached point towards the housing. On units with an internal shaft end, only one Taconite seal is used. The cover plate SC..EC is used instead of the second seal in this case.

The bearings should be positioned on the shaft as described in the *Mounting the bearings* section and completely filled with grease. Now slide the external Taconite seals onto the shaft, ring grooves first.

Units with regulation discs

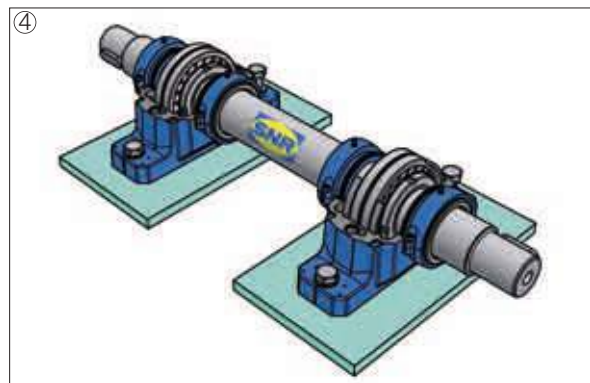
Regulation discs must be mounted on the side of the grease drain hole. The position of the shaft is specified in the table on Page 25. When using rolling bearings with adapter sleeves, it must be ensured that the groove nuts are positioned on the lubricating fitting side. Tighten the two set screws with the appropriate tightening torques as shown in the table on Page 24 (this only applies to 500 and 600 series regulation discs).



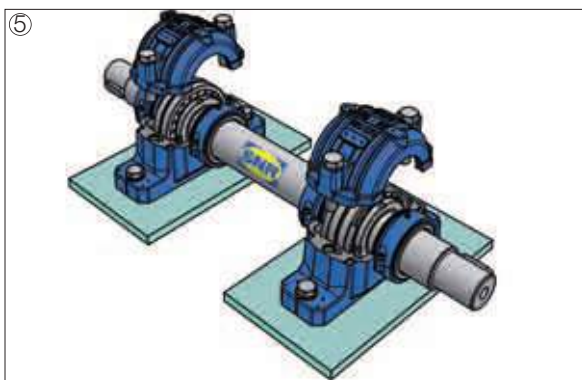
Carefully insert sealing elements with O rings into the sealing grooves on the lower housing sections. For the floating bearing version, position the bearing centrally on the bearing seat. Distribute the remaining quantities of grease (look at table on page 22) evenly in the lower housing sections.

Locating rings

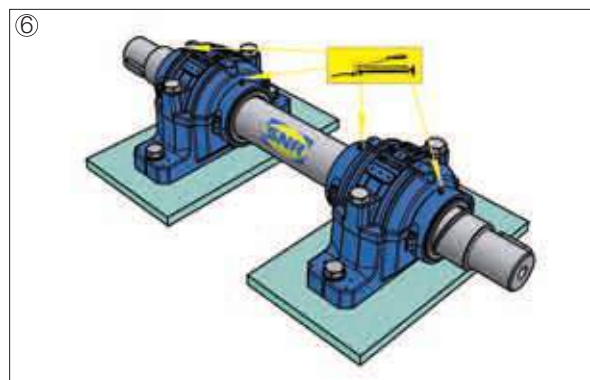
For the fixed bearing version, insert the two locating rings on the side of the bearing in the lower housing section.



Position the lower housing section correctly using the alignment markings and slightly tighten the foot bolts.



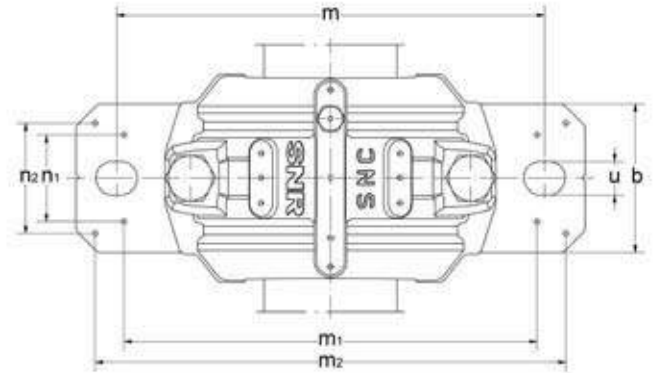
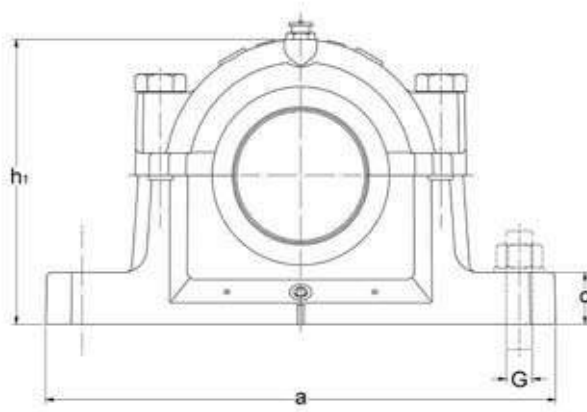
Position the upper housing section and tighten the connecting bolts evenly to the tightening torque specified in the table on Page 21.



Press a round cord into each circular groove between the shaft and the labyrinth ring. Using a screwdriver makes it easier to insert the cord. Remove plug from the lubricating fitting bore and screw in the lubricating fitting supplied. The seals should then be greased by the lubricating fitting while the shaft is rotating, until grease escapes at the labyrinths. Check the alignment of the bearing housing again and then tighten the foot bolts to the appropriate tightening torque (table, Page 21).

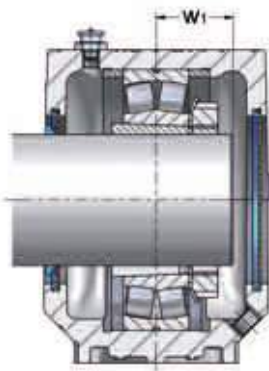


Pillow block housing for bearings with adapter sleeve mounting

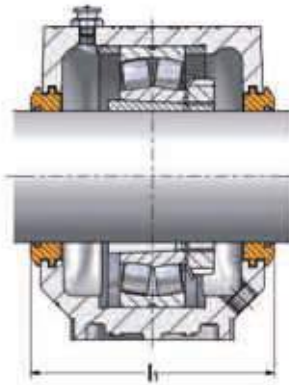


d	Type	D	Housing dimensions											Weight					
			a	b	c	g	h	l	m	G	u	v	h ₁	m ₁	n ₂	m ₂	n ₁	n ₃ approx ¹⁾	[kg]
20	SNC505	52	165	46	19	25	40	67	130	M12	15	20	74	116	32	152	28	36	1,6
	SNC605	62	185	52	22	32	50	77	150	M12	15	20	89	130	38	172	25	44	2,3
25	SNC506	62	185	52	22	32	50	77	150	M12	15	20	89	130	38	172	25	44	2,3
	SNC606	72	185	52	22	34	50	82	150	M12	15	20	93	135	38	172	25	46	2,4
30	SNC507	72	185	52	22	34	50	82	150	M12	15	20	93	135	38	172	25	46	2,4
	SNC607	80	205	60	25	39	60	85	170	M12	15	20	107	160	44	188	34	50	3,2

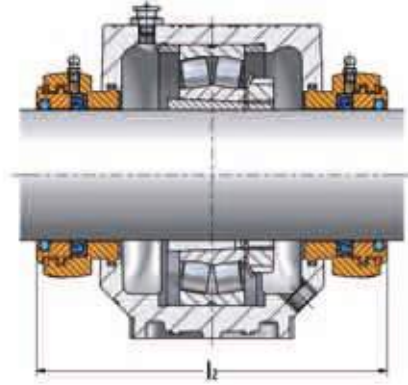
¹⁾ Housing body



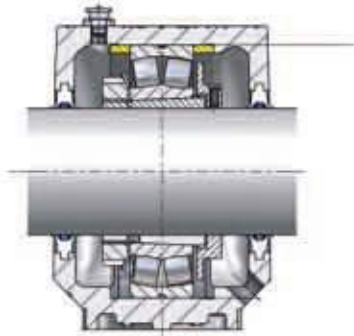
V-ring seal SC..SV + Cover SC..EC



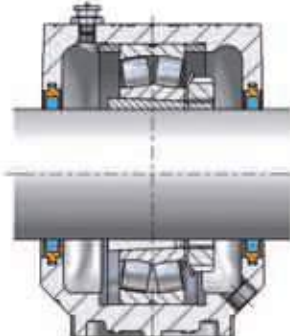
Labyrinth seal SC..LA



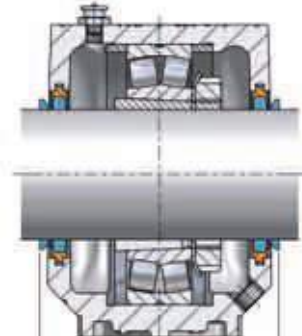
Taconite seal SC..TA



Double lip seal SC..DS + Regulation disc RDC



Felt strip seal SC..FS



Felt strip seal SC..FS + V-Ring V..A

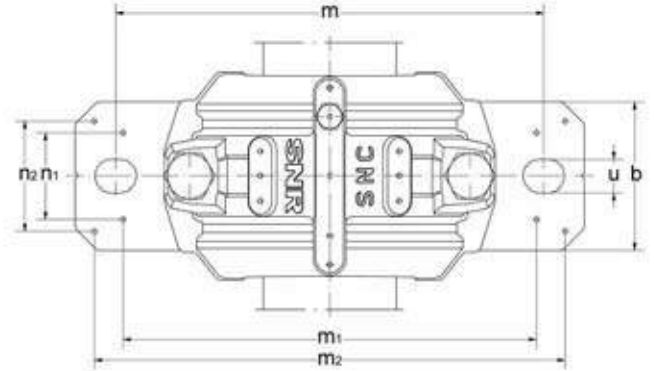
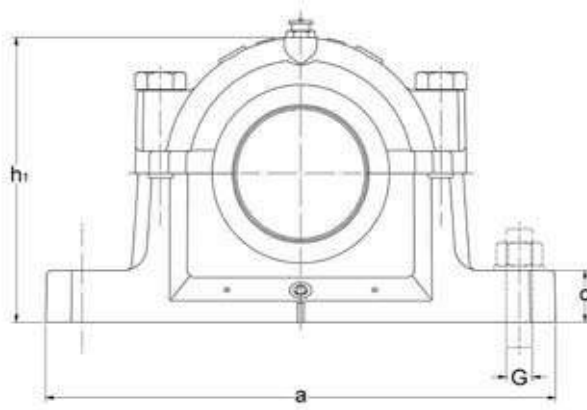
Housing	Seal ²⁾	V-Ring ³⁾	Cover	w ₁	l ₁	l ₂	l ₃	Regulation disc	Rolling bearing	Adapter sleeve	Locating ring x2 per housing
SNC505	SC505DS	V20A	SC505EC	18,0	79	134	85	RDC505	1205K	H205	FR52x5
	SC505FS			19,5					2205K	H305	FR52x3,5
	SC505SV			19,5					22205K	H305	FR52x3,5
	SC505LA										
	SC505TA										
SNC506-605	SC605DS	V20A	SC506-605EC	19,0	89	144	95	RDC605	1305K	H305	FR62x7,5
	SC605FS			22,5					2305K	H2305	FR62x4
	SC605SV			19,0					21305K	H305	FR62x7,5
	SC605LA										
	SC605TA										
SNC506-605	SC506DS	V25A	SC506-605EC	18,5	89	144	95	RDC506	1206K	H206	FR62x8
	SC506FS			20,5					2206K	H306	FR62x6
	SC506SV			20,5					22206K	H306	FR62x6
	SC506LA										
	SC506TA										
SNC507-606	SC606DS	V25A	SC507-606EC	20,0	94	148	100	RDC606	1306K	H306	FR72x7,5
	SC606FS			24,0					2306K	H2306	FR72x3,5
	SC606SV			20,0					21306K	H306	FR72x7,5
	SC606LA										
	SC606TA										
SNC507-606	SC507DS	V30A	SC507-606EC	20,0	94	148	100	RDC507	1207K	H207	FR72x8,5
	SC507FS			23,0					2207K	H307	FR72x5,5
	SC507SV			23,5					22207K	H307	FR72x5,5
	SC507LA										
	SC507TA										
SNC508-607	SC607DS	V30A	SC508-607EC	22,0	97	151	103	RDC607	1307K	H307	FR80x9
	SC607FS			27,0					2307K	H2307	FR80x4
	SC607SV			23,0					21307K	H307	FR80x8
	SC607LA										
	SC607TA										

²⁾ Seals must be ordered for each side of the housing.

³⁾ Optional V-ring available for felt strip seal (FS).

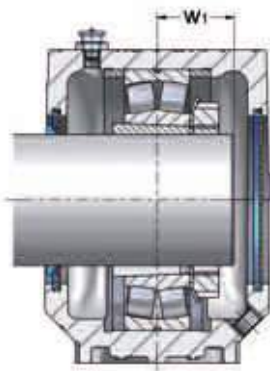


Pillow block housing for bearings with adapter sleeve mounting

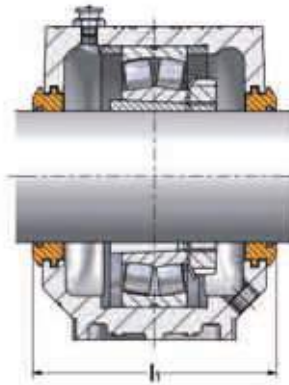


d	Type	D	Housing dimensions											Weight approx ¹⁾ [kg]					
			a	b	c	g	h	l	m	G	u	v	h ₁		m ₁	n ₂	m ₂	n ₁	n ₃
35	SNC508	80	205	60	25	39	60	85	170	M12	15	20	107	160	44	188	34	50	3,2
	SNC608	90	205	60	25	41	60	90	170	M12	15	20	113	160	44	188	34	53	3,4
40	SNC509	85	205	60	25	30	60	85	170	M12	15	20	110	160	44	188	34	44	3,2
	SNC609	100	255	70	28	44	70	95	210	M16	18	24	127	200	49	234	40	56	5,1
45	SNC510	90	205	60	25	41	60	90	170	M12	15	20	113	160	44	188	34	53	3,4
	SNC610	110	255	70	30	48	70	105	210	M16	18	24	133	200	54	234	40	64	5,4

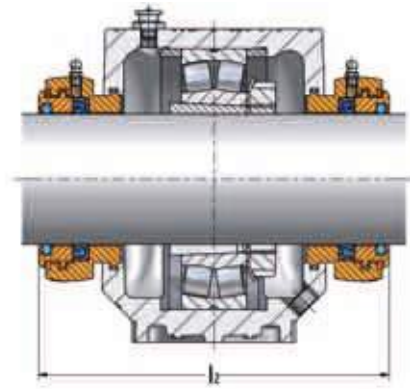
¹⁾ Housing body



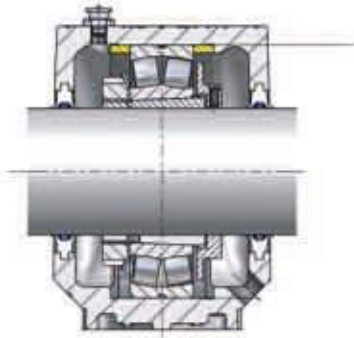
V-ring seal
SC..SV + Cover
SC..EC



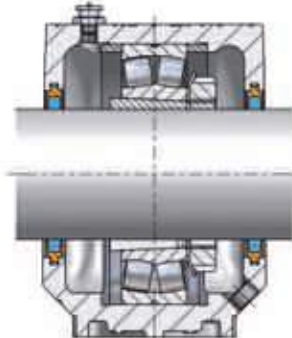
Labyrinth seal
SC..LA



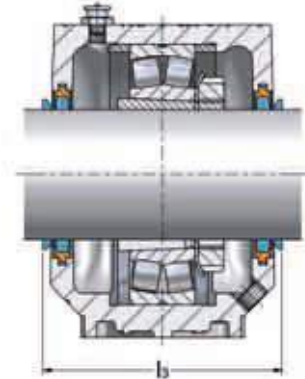
Taconite seal
SC..TA



Double lip seal
SC..DS + Regulation disc
RDC



Felt strip seal
SC..FS



Felt strip seal
SC..FS + V-Ring
V..A

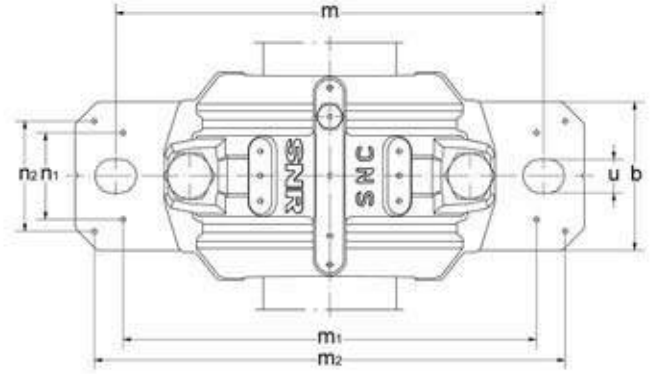
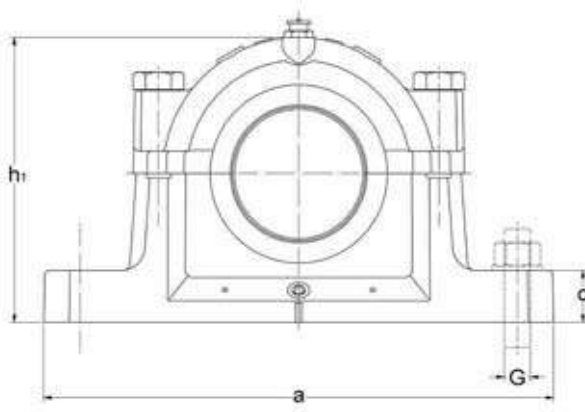
Housing	Seal ²⁾	V-Ring ³⁾	Cover	w ₁	l ₁	l ₂	l ₃	Regulation disc	Rolling bearing	Adapter sleeve	Locating ring x2 per housing
				[mm]							
SNC508-607	SC508DS	V35A	SC508-607EC	21,5	97	151	103	RDC508	1208K	H208	FR80x10,5
	SC508FS			24,0					2208K	H308	FR80x8
	SC508SV			24,0					22208K	H308	FR80x8
	SC508LA										
	SC508TA										
SNC510-608	SC608DS	V35A	SC510-608EC	24,0	102	154	108	RDC608	1308K	H308	FR90x9
	SC608FS			29,0					2308K	H2308	FR90x4
	SC608SV			24,0					21308K	H308	FR90x9
	SC608LA			29,0					22308K	H2308	FR90x4
	SC608TA										
SNC509	SC509DS	V40A	SC509EC	23,0	97	149	107	RDC509	1209K	H209	FR85x5,5
	SC509FS			25,0					2209K	H309	FR85x3,5
	SC509SV			25,0					22209K	H309	FR85x3,5
	SC509LA										
	SC509TA										
SNC511-609	SC609DS	V40A	SC511-609EC	26,0	107	158	117	RDC609	1309K	H309	FR100x9,5
	SC609FS			31,5					2309K	H2309	FR100x4
	SC609SV			26,0					21309K	H309	FR100x9,5
	SC609LA			31,5					22309K	H2309	FR100x4
	SC609TA										
SNC510-608	SC510DS	V45A	SC510-608EC	24,5	102	154	112	RDC510	1210K	H210	FR90x10,5
	SC510FS			26,0					2210K	H310	FR90x9
	SC510SV			26,0					22210K	H310	FR90x9
	SC510LA										
	SC510TA										
SNC512-610	SC610DS	V45A	SC512-610EC	28,0	117	168	127	RDC610	1310K	H310	FR110x10,5
	SC610FS			34,5					2310K	H2310	FR110x4
	SC610SV			28,0					21310K	H310	FR110x10,5
	SC610LA			34,5					22310K	H2310	FR110x4
	SC610TA										

²⁾ Seals must be ordered for each side of the housing.

³⁾ Optional V-ring available for felt strip seal (FS).

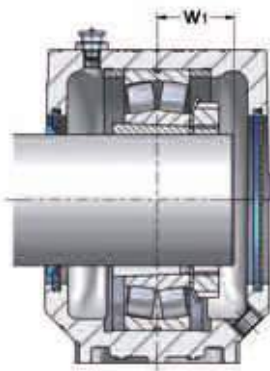


Pillow block housing for bearings with adapter sleeve mounting

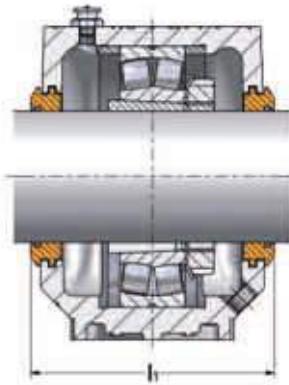


d	Type	D	Housing dimensions											Weight approx ¹⁾					
			a	b	c	g	h	l	m	G	u	v	h ₁	m ₁	n ₂	m ₂	n ₁	n ₃	[kg]
50	SNC511	100	255	70	28	44	70	95	210	M16	18	24	127	200	49	234	40	56	5,1
	SNC611	120	275	80	30	51	80	110	230	M16	18	24	148	220	58	252	48	63	7,0
55	SNC512	110	255	70	30	48	70	105	210	M16	18	24	133	200	54	234	40	64	5,4
	SNC612	130	280	80	30	56	80	115	230	M16	18	24	155	220	58	257	48	72	7,3
60	SNC513	120	275	80	30	51	80	110	230	M16	18	24	148	220	58	252	48	63	7,0
	SNC613	140	315	90	32	58	95	120	260	M20	22	28	175	252	66	288	52	72	10,4

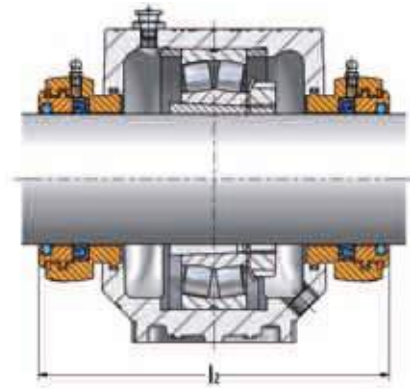
¹⁾ Housing body



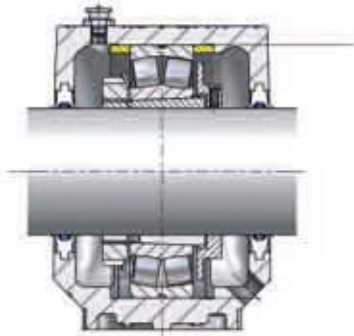
V-ring seal SC..SV + Cover SC..EC



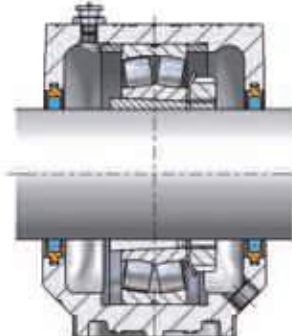
Labyrinth seal SC..LA



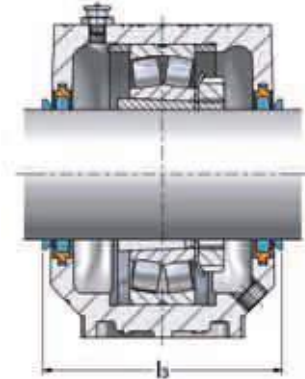
Taconite seal SC..TA



Double lip seal SC..DS + Regulation disc RDC



Felt strip seal SC..FS



Felt strip seal SC..FS + V-Ring V..A

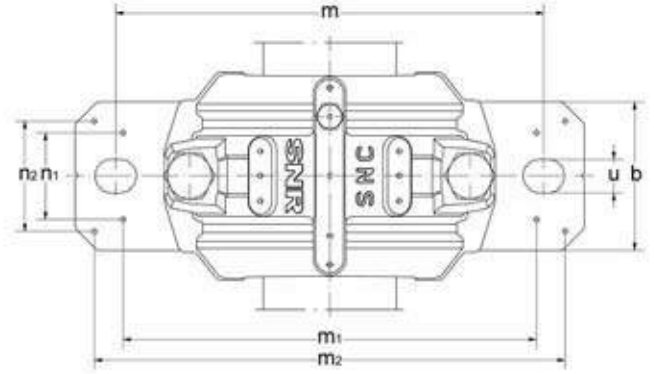
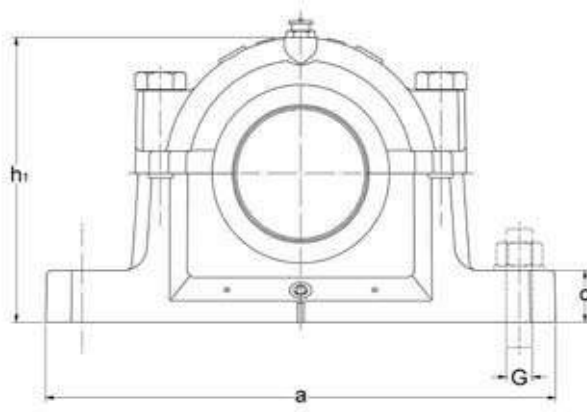
Housing	Seal ²⁾	V-Ring ³⁾	Cover	w ₁	l ₁	l ₂	l ₃	Regulation disc	Rolling bearing	Adapter sleeve	Locating ring x2 per housing
				[mm]							
SNC511-609	SC511DS	V50A	SC511-609EC	25,5	107	158	117	RDC511	1211K	H211	FR100x11,5
	SC511FS			27,5					2211K	H311	FR100x9,5
	SC511SV			27,5					22211K	H311	FR100x9,5
	SC511LA										
	SC511TA										
SNC513-611	SC611DS	V50A	SC513-611EC	29,5	122	172	132	RDC611	1311K	H311	FR120x11
	SC611FS			36,5					2311K	H2311	FR120x4
	SC611SV			29,5					21311K	H311	FR120x11
	SC611LA			36,5					22311K	H2311	FR120x4
	SC611TA										
SNC512-610	SC512DS	V55A	SC512-610EC	26,5	117	168	127	RDC512	1212K	H212	FR110x13
	SC512FS			29,5					2212K	H312	FR110x10
	SC512SV			29,5					22212K	H312	FR110x10
	SC512LA										
	SC512TA										
SNC515-612	SC612DS	V55A	SC515-612EC	31,0	127	181	137	RDC612	1312K	H312	FR130x12,5
	SC612FS			38,5					2312K	H2312	FR130x5
	SC612SV			31,0					21312K	H312	FR130x12,5
	SC612LA			38,5					22312K	H2312	FR130x5
	SC612TA										
SNC513-611	SC513DS	V60A	SC513-611EC	28,0	122	172	132	RDC513	1213K	H213	FR120x14
	SC513FS			32,0					2213K	H313	FR120x10
	SC513SV			32,0					22213K	H313	FR120x10
	SC513LA										
	SC513TA										
SNC516-613	SC613DS	V60A	SC516-613EC	33,0	135	190	142	RDC613	1313K	H313	FR140x12,5
	SC613FS			40,5					2313K	H2313	FR140x5
	SC613SV			33,0					21313K	H313	FR140x12,5
	SC613LA			40,5					22313K	H2313	FR140x5
	SC613TA										

²⁾ Seals must be ordered for each side of the housing.

³⁾ Optional V-ring available for felt strip seal (FS).

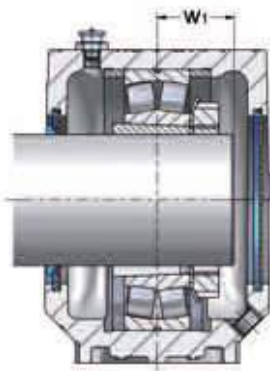


Pillow block housing for bearings with adapter sleeve mounting

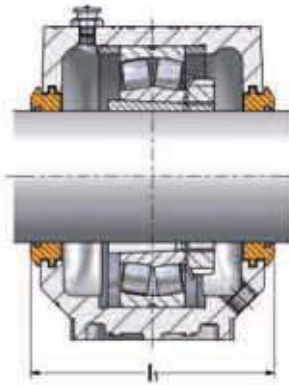


d	Type	D	Housing dimensions											Weight approx ¹⁾ [kg]					
			a	b	c	g	h	l	m	G [mm]	u	v	h ₁		m ₁	n ₂	m ₂	n ₁	n ₃
65	SNC515	130	280	80	30	56	80	115	230	M16	18	24	155	220	58	257	48	72	7,3
	SNC615	160	345	100	35	65	100	140	290	M20	22	28	192	280	74	319	58	80	13,5
70	SNC516	140	315	90	32	58	95	120	260	M20	22	28	175	252	66	288	52	72	10,4
	SNC616	170	345	100	35	68	112	145	290	M20	22	28	212	280	70	317	58	88	15,6
75	SNC517	150	320	90	32	61	95	125	260	M20	22	28	183	252	66	292	52	76	10,2
	SNC617	180	380	110	40	70	112	160	320	M24	26	32	215	300	78	348	66	104	18,4

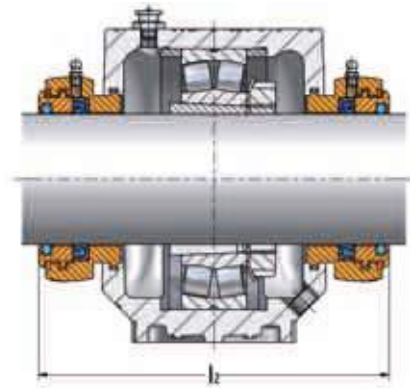
¹⁾ Housing body



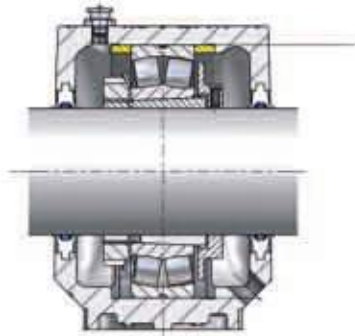
V-ring seal
SC..SV + Cover
SC..EC



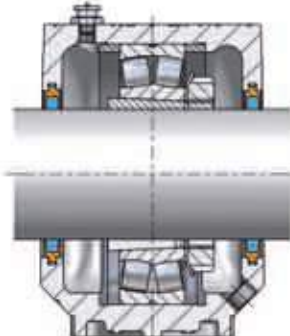
Labyrinth seal
SC..LA



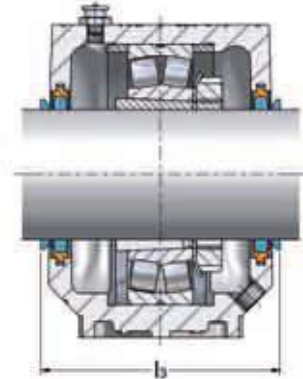
Taconite seal
SC..TA



Double lip seal
SC..DS + Regulation disc
RDC



Felt strip seal
SC..FS



Felt strip seal
SC..FS + V-Ring
V..A

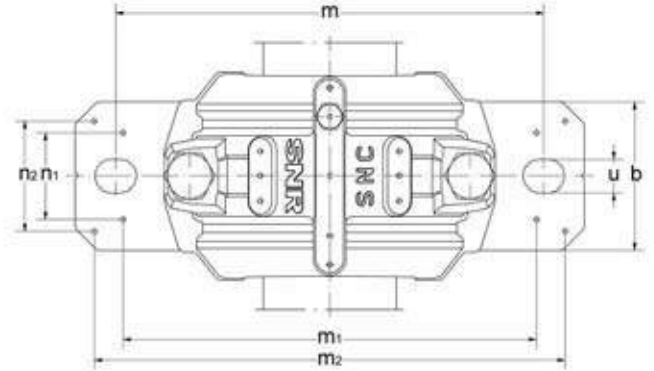
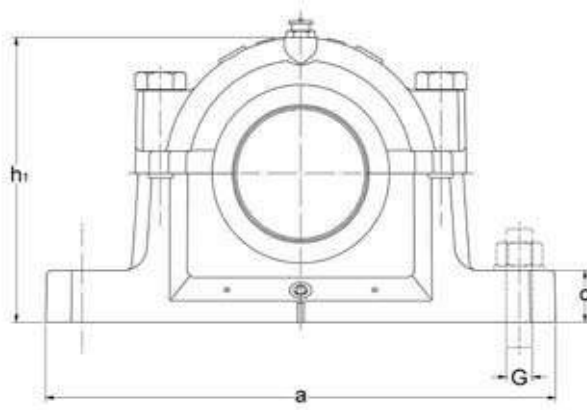
Housing	Seal ²⁾	V-Ring ³⁾	Cover	w ₁	l ₁	l ₂	l ₃	Regulation disc	Rolling bearing	Adapter sleeve	Locating ring x2 per housing
				[mm]							
SNC515-612	SC515DS	V65A	SC515-612EC	30,0	127	181	137	RDC515	1215K	H215	FR130x15,5
	SC515FS			2215K					H315	FR130x12,5	
	SC515SV			22215K					H315	FR130x12,5	
	SC515LA										
	SC515TA										
SNC518-615	SC615DS	V65A	SC518-615EC	36,0	155	216	162	RDC615	1315K	H315	FR160x14
	SC615FS			2315K					H2315	FR160x5	
	SC615SV			21315K					H315	FR160x14	
	SC615LA			22315K					H2315	FR160x5	
	SC615TA										
SNC516-613	SC516DS	V70A	SC516-613EC	32,5	135	190	147	RDC516	1216K	H216	FR140x16
	SC516FS			2216K					H316	FR140x12,5	
	SC516SV			22216K					H316	FR140x12,5	
	SC516LA										
	SC516TA										
SNC519-616	SC616DS	V70A	SC519-616EC	39,0	159	212	172	RDC616	1316K	H316	FR170x14,5
	SC616FS			2316K					H2316	FR170x5	
	SC616SV			21316K					H316	FR170x14,5	
	SC616LA			22316K					H2316	FR170x5	
	SC616TA										
SNC517	SC517DS	V75A	SC517EC	34,5	140	201	152	RDC517	1217K	H217	FR150x16,5
	SC517FS			2217K					H317	FR150x12,5	
	SC517SV			22217K					H317	FR150x12,5	
	SC517LA										
	SC517TA										
SNC520-617	SC617DS	V75A	SC520-617EC	41,0	174	227	187	RDC617	1317K	H317	FR180x14,5
	SC617FS			2317K					H2317	FR180x5	
	SC617SV			21317K					H317	FR180x14,5	
	SC617LA			22317K					H2317	FR180x5	
	SC617TA										

²⁾ Seals must be ordered for each side of the housing.

³⁾ Optional V-ring available for felt strip seal (FS).

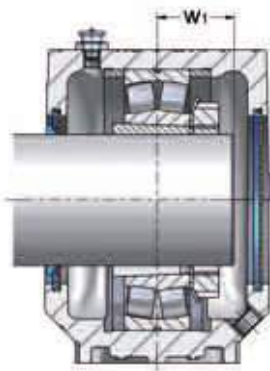


Pillow block housing for bearings with adapter sleeve mounting

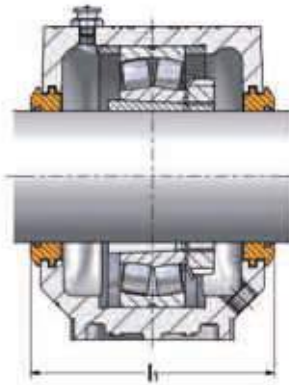


d	Type	D	Housing dimensions											Weight approx ¹⁾ [kg]					
			a	b	c	g	h	l	m	G	u	v	h ₁		m ₁	n ₂	m ₂	n ₁	n ₃
80	SNC518	160	345	100	35	65	100	140	290	M20	22	28	192	280	74	319	58	80	13,5
	SNC618	190	380	110	40	74	112	160	320	M24	26	32	220	300	78	348	66	104	18,5
85	SNC519	170	345	100	35	68	112	145	290	M20	22	28	212	280	70	317	58	88	15,6
	SNC619	200	410	120	45	80	125	175	350	M24	26	32	242	320	88	378	74	110	24,7
90	SNC520	180	380	110	40	70	112	160	320	M24	26	32	215	300	78	348	66	104	18,4
	SNC620	215	410	120	45	86	140	185	350	M24	26	32	271	330	88	378	74	122	30,0

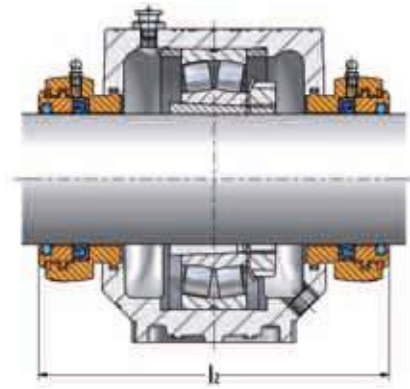
¹⁾ Housing body



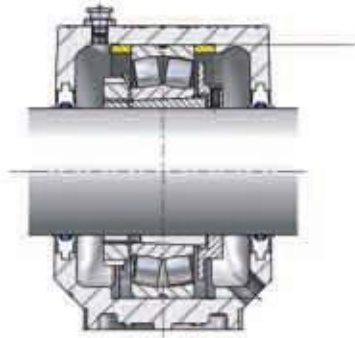
V-ring seal
SC..SV + Cover
SC..EC



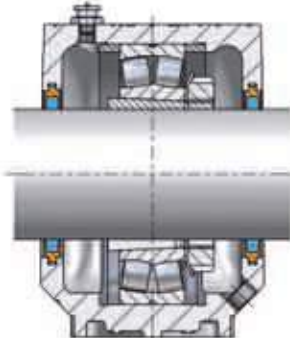
Labyrinth seal
SC..LA



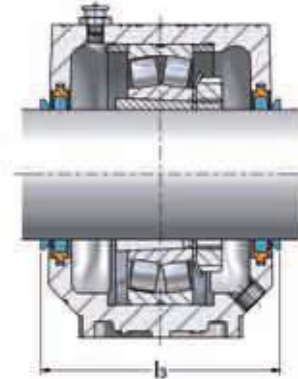
Taconite seal
SC..TA



Double lip seal
SC..DS + Regulation disc
RDC



Felt strip seal
SC..FS



Felt strip seal
SC..FS + V-Ring
V..A

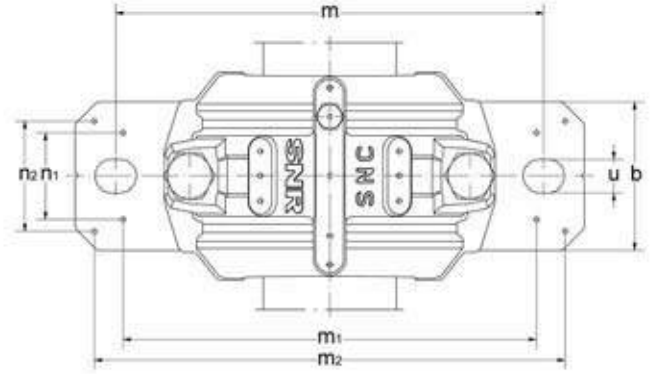
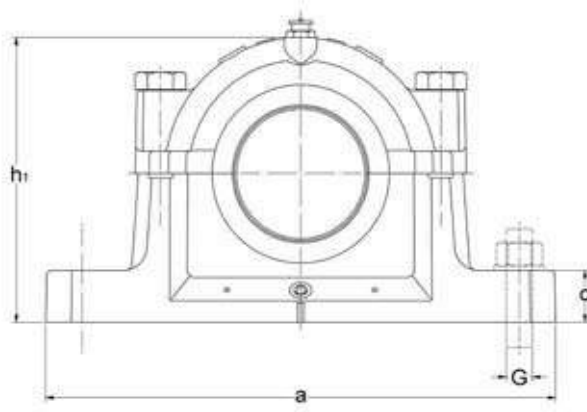
Housing	Seal ²⁾	V-Ring ³⁾	Cover	w ₁	l ₁	l ₂	l ₃	Regulation disc	Rolling bearing	Adapter sleeve	Locating ring x2 per housing
				[mm]							
SNC518-615	SC518DS	V80A	SC518-615EC	35,5	155	216	167	RDC518	1218K	H218	FR160x17,5
	SC518FS			40,5					2218K	H318	FR160x12,5
	SC518SV			40,5					22218K	H318	FR160x12,5
	SC518LA			46,8					23218K	H2318	FR160x6,25
	SC518TA										
SNC318-618	SC618DS	V80A	SC318-618EC	42,0	172	227	187	RDC618	1318K	H318	FR190x15,5
	SC618FS			52,5					2318K	H2318	FR190x5
	SC618SV			42,0					21318K	H318	FR190x15,5
	SC618LA			52,5					22318K	H2318	FR190x5
	SC618TA										
SNC519-616	SC519DS	V85A	SC519-616EC	37,5	159	212	172	RDC519	1219K	H219	FR170x18
	SC519FS			43,0					2219K	H319	FR170x12,5
	SC519SV			43,0					22219K	H319	FR170x12,5
	SC519LA										
	SC519TA										
SNC522-619	SC619DS	V85A	SC522-619EC	44,0	189	242	202	RDC619	1319K	H319	FR200x17,5
	SC619FS			55,0					2319K	H2319	FR200x6,5
	SC619SV			44,0					21319K	H319	FR200x17,5
	SC619LA			55,0					22319K	H2319	FR200x6,5
	SC619TA										
SNC520-617	SC520DS	V90A	SC520-617EC	39,5	174	227	187	RDC520	1220K	H220	FR180x18
	SC520FS			45,5					2220K	H320	FR180x12
	SC520SV			45,5					22220K	H320	FR180x12
	SC520LA			52,7					23220K	H2320	FR180x4,85
	SC520TA										
SNC524-620	SC620DS	V90A	SC524-620EC	46,0	199	249	212	RDC620	1320K	H320	FR215x19,5
	SC620FS			59,0					2320K	H2320	FR215x6,5
	SC620SV			46,0					21320K	H320	FR215x19,5
	SC620LA			59,0					22320K	H2320	FR215x5
	SC620TA										

²⁾ Seals must be ordered for each side of the housing.

³⁾ Optional V-ring available for felt strip seal (FS).

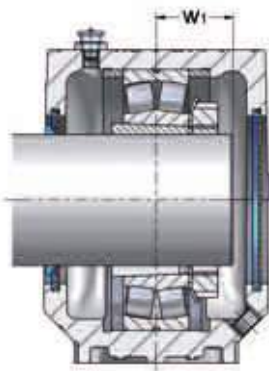


Pillow block housing for bearings with adapter sleeve mounting

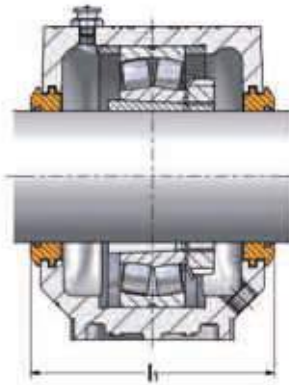


d	Type	D	Housing dimensions																Weight approx ¹⁾ [kg]
			a	b	c	g	h	l	m	G	u	v	h ₁	m ₁	n ₂	m ₂	n ₁	n ₃	
100	SNC522	200	410	120	45	80	125	175	350	M24	26	32	242	320	88	378	74	110	24,7
110	SNC524	215	410	120	45	86	140	185	350	M24	26	32	271	330	88	378	74	122	30,0
115	SNC526	230	445	130	50	90	150	190	380	M24	28	35	290	370	92	414	80	122	36,6
125	SNC528	250	500	150	50	98	150	205	420	M30	35	42	302	400	108	458	92	128	42,6
135	SNC530	270	530	160	60	106	160	220	450	M30	35	42	323	430	116	486	100	140	55,2
140	SNC532	290	550	160	60	114	170	235	470	M30	35	42	344	450	116	506	100	155	63,0

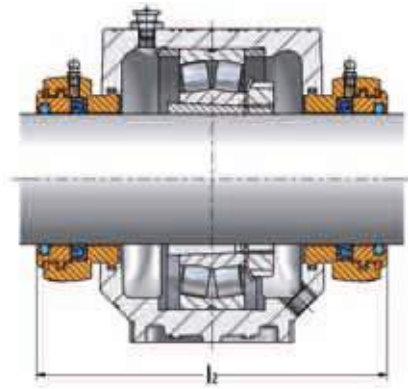
¹⁾ Housing body



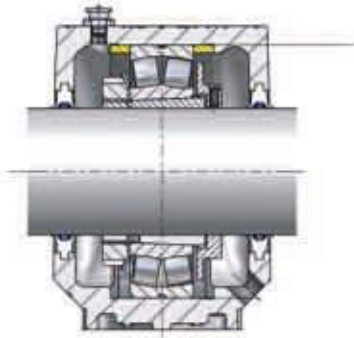
V-ring seal
SC..SV + Cover
SC..EC



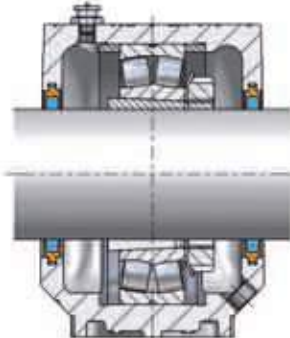
Labyrinth seal
SC..LA



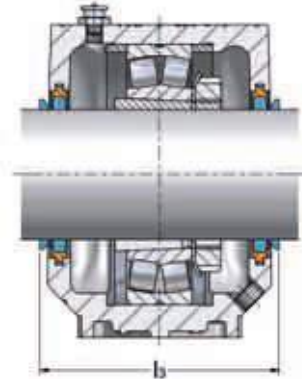
Taconite seal
SC..TA



Double lip seal
SC..DS + Regulation disc
RDC



Felt strip seal
SC..FS



Felt strip seal
SC..FS + V-Ring
V..A

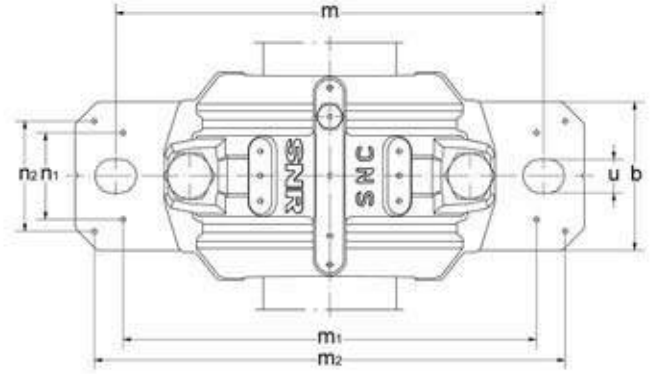
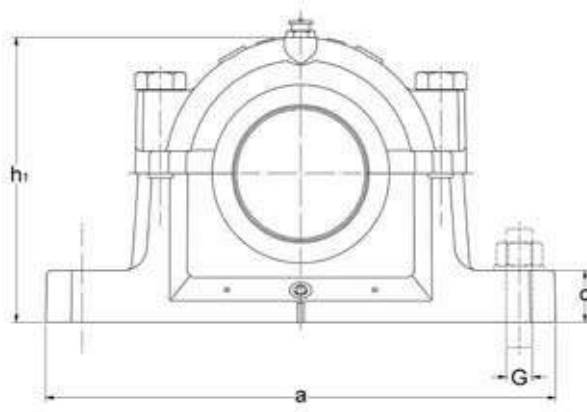
Housing	Seal ²⁾	V-Ring ³⁾	Cover	w ₁	l ₁	l ₂	l ₃	Regulation disc	Rolling bearing	Adapter sleeve	Locating ring x2 per housing
				[mm]							
SNC522-619	SC522DS	V100A	SC522-619EC	42,5	189	242	202	RDC522	1222K	H222	FR200x21
	SC522FS			50,0					2222K	H322	FR200x13,5
	SC522SV			50,0					22222K	H322	FR200x13,5
	SC522LA			58,4					23222K	H2322	FR200x5,1
	SC522TA										
SNC524-620	SC524DS	V110A	SC524-620EC	53,5	199	249	216	RDC524	22224K	H3124	FR215x14
	SC524FS			62,5					23224K	H2324	FR215x5
	SC524SV										
	SC524LA										
	SC524TA										
SNC226-526	SC526DS	V120A	SC226-526EC	57,5	207	259	221	RDC526	22226K	H3126	FR230x13
	SC526FS			65,5					23226K	H2326	FR230x5
	SC526SV										
	SC526LA										
	SC526TA										
SNC228-528	SC528DS	V130A	SC228-528EC	60,5	222	275	236	RDC528	22228K	H3128	FR250x15
	SC528FS			70,5					23228K	H2328	FR250x5
	SC528SV										
	SC528LA										
	SC528TA										
SNC230-530	SC530DS	V140A	SC230-530EC	65,0	236	294	251	RDC530	22230K	H3130	FR270x16,5
	SC530FS			76,5					23230K	H2330	FR270x5
	SC530SV										
	SC530LA										
	SC530TA										
SNC232-532	SC532DS	V140A	SC232-532EC	70,5	254	309	266	RDC532	22232K	H3132	FR290x17
	SC532FS			82,5					23232K	H2332	FR290x5
	SC532SV										
	SC532LA										
	SC532TA										

²⁾ Seals must be ordered for each side of the housing.

³⁾ Optional V-ring available for felt strip seal (FS).

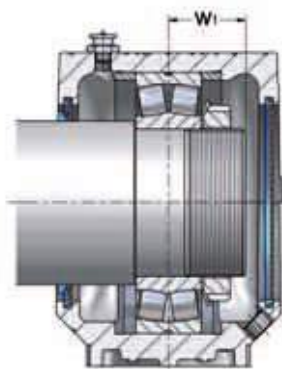


Pillow block housing for bearings with cylindrical bore

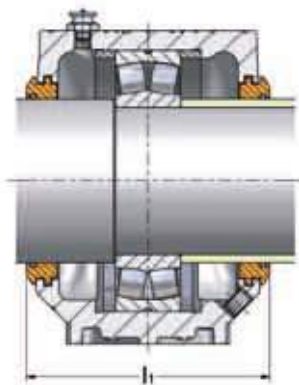


d	Type	d ₁	D	Housing dimensions											Weight approx ¹⁾ [kg]					
				a	b	c	g	h	l	m	G	u	v	h ₁		m ₁	n ₁	m ₂	n ₂	n ₃
25	SNC205	30	52	165	46	19	25	40	67	130	M12	15	20	74	116	32	152	28	36	1,5
	SNC305	30	62	185	52	22	32	50	77	150	M12	15	20	89	130	38	172	25	44	2,1
30	SNC206	35	62	185	52	22	32	50	77	150	M12	15	20	89	130	38	172	25	44	2,1
	SNC306	35	72	185	52	22	34	50	82	150	M12	15	20	93	135	38	172	25	46	2,3
35	SNC207	45	72	185	52	22	34	50	82	150	M12	15	20	93	135	38	172	25	46	2,3
	SNC307	45	80	205	60	25	39	60	85	170	M12	15	20	107	160	44	188	34	50	3,1

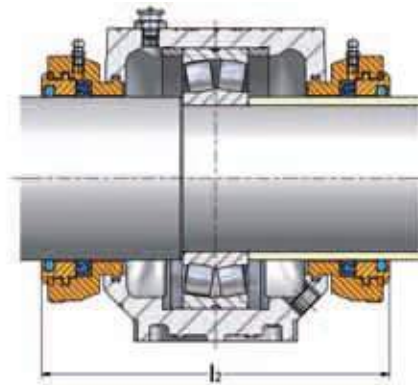
¹⁾ Housing body



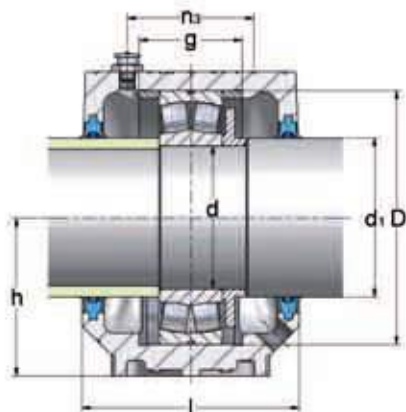
V-ring seal
SC..SV + Cover
SC..EC



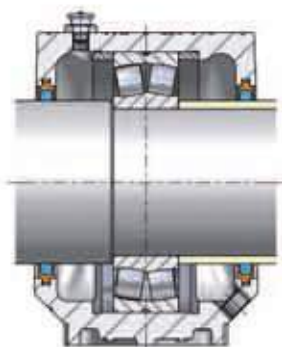
Labyrinth seal
SC..LA



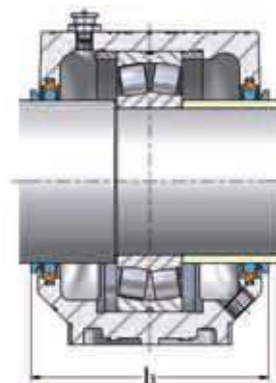
Taconite seal
SC..TA



Double lip seal
SC..DS + Regulation disc
RDC



Felt strip seal
SC..FS



Felt strip seal
SC..FS + V-Ring
V..A

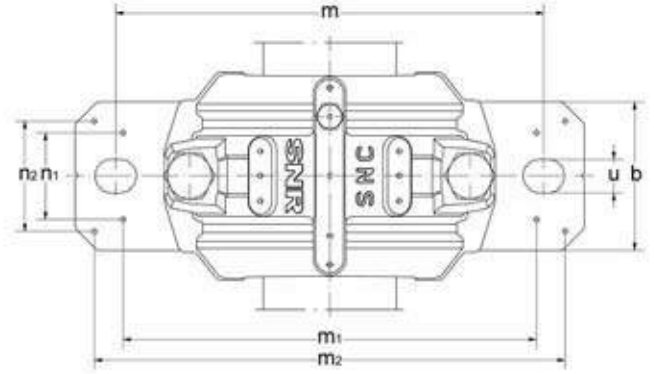
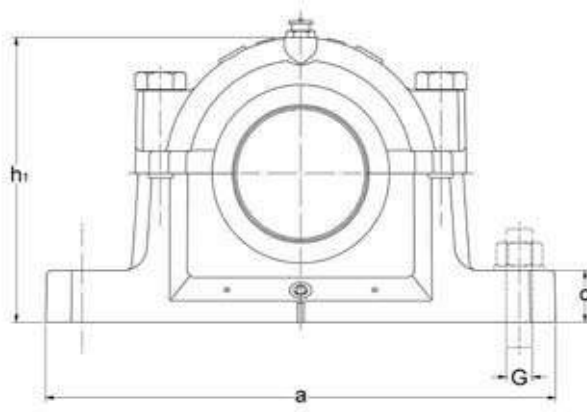
Housing	Seal ²⁾	V-Ring ³⁾	Cover	w ₁	l ₁	l ₂	l ₃	Regulation disc	Rolling bearing	Locating ring x2 per housing
				[mm]						
SNC205	SC205DS	V30A	SC506-605EC	17	89	134	85	RDC205	1205	FR52x5
	SC205FS			18,5					2205	FR52x3,5
	SC205SV			18,5					22205	FR52x3,5
	SC205LA									
	SC205TA									
SNC206-305	SC305DS	V30A	SC507-606EC	18	89	144	95	RDC305	1305	FR62x7,5
	SC305FS			21,5					2305	FR62x4
	SC305SV			18					21305	FR62x7,5
	SC305LA									
	SC305TA									
SNC206-305	SC206DS	V35A	SC507-606EC	18,5	89	144	95	RDC206	1206	FR62x8
	SC206FS			20,5					2206	FR62x6
	SC206SV			20,5					22206	FR62x6
	SC206LA									
	SC206TA									
SNC207-306	SC306DS	V35A	SC509EC	20	94	148	100	RDC306	1306	FR72x7,5
	SC306FS			24					2306	FR72x3,5
	SC306SV			20					21306	FR72x7,5
	SC306LA									
	SC306TA									
SNC207-306	SC207DS	V45A	SC509EC	20	94	148	104	RDC207	1207	FR72x8,5
	SC207FS			22					2207	FR72x5,5
	SC207SV			22,5					22207	FR72x5,5
	SC207LA									
	SC207TA									
SNC208-307	SC307DS	V45A	SC510-608EC	21	94	151	107	RDC307	1307	FR80x9
	SC307FS			26					2307	FR80x4
	SC307SV			21					21307	FR80x9
	SC307LA									
	SC307TA									

²⁾ Seals must be ordered for each side of the housing.

³⁾ Optional V-ring available for felt strip seal (FS).

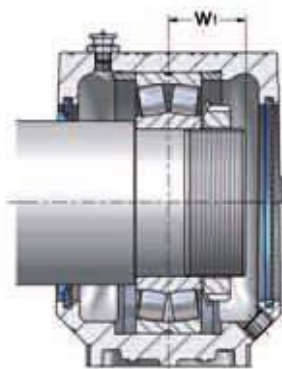


Pillow block housing for bearings with cylindrical bore

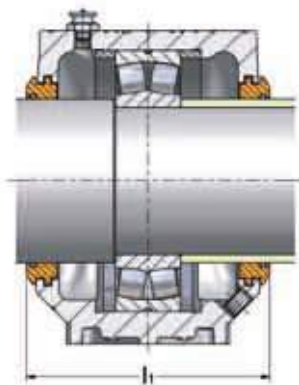


d	Type	d ₁	D	Housing dimensions											Weight approx ¹⁾ [kg]					
				a	b	c	g	h	l	m	G	u	v	h ₁		m ₁	n ₁	m ₂	n ₂	n ₃
40	SNC208	50	80	205	60	25	39	60	85	170	M12	15	20	107	160	44	188	34	50	3,1
	SNC308	50	90	205	60	25	41	60	90	170	M12	15	20	113	160	44	188	34	53	3,5
45	SNC209	55	85	205	60	25	30	60	85	170	M12	15	20	110	160	44	188	34	44	3,1
	SNC309	55	100	255	70	28	44	70	95	210	M16	18	24	127	200	49	234	40	56	5,0
50	SNC210	60	90	205	60	25	41	60	90	170	M12	15	20	113	160	44	188	34	53	3,5
	SNC310	60	110	255	70	30	48	70	105	210	M16	18	24	133	200	54	234	40	64	5,3

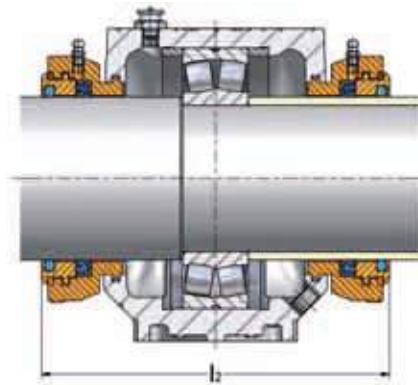
¹⁾ Housing body



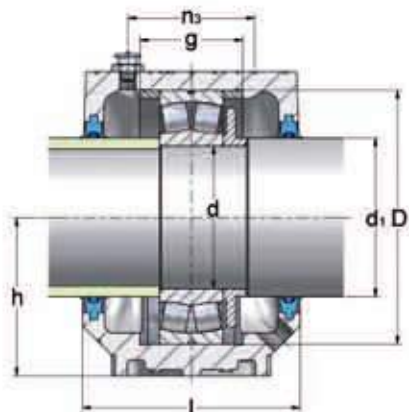
V-ring seal
SC..SV + Cover
SC..EC



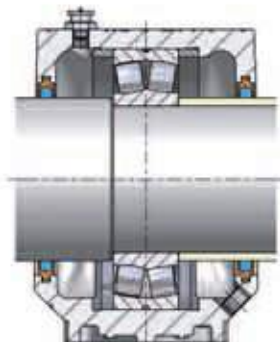
Labyrinth seal
SC..LA



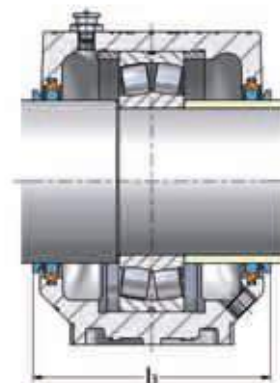
Taconite seal
SC..TA



Double lip seal
SC..DS + Regulation disc
RDC



Felt strip seal
SC..FS



Felt strip seal
SC..FS + V-Ring
V..A

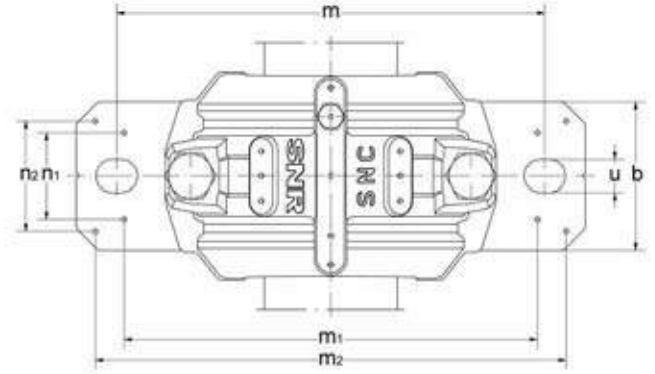
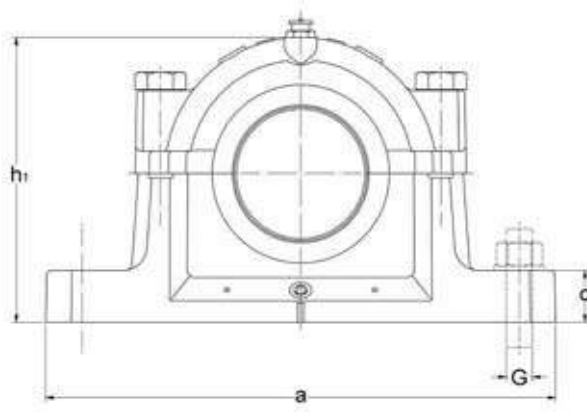
Housing	Seal ²⁾	V-Ring ³⁾	Cover	w ₁	l ₁	l ₂	l ₃	Regulation disc	Rolling bearing	Locating ring x2 per housing	
				[mm]							
SNC208-307	SC208DS	V50A	SC510-608EC	20,5	97	151	107	RDC208	1208	FR80x10,5	
	SC208FS			23					2208	FR80x8	
	SC208SV			23					2208	FR80x8	
	SC208LA										
	SC208TA										
SNC210-308	SC308DS	V50A	SC512-610EC	23	102	154	112	RDC308	1308	FR90x9	
	SC308FS			28					2308	FR90x4	
	SC308SV			23					21308	FR90x9	
	SC308LA			28					22308	FR90x4	
	SC308TA										
SNC209	SC209DS	V55A	SC511-609EC	22	97	149	107	RDC209	1209	FR85x5,5	
	SC209FS			24					2209	FR85x3,5	
	SC209SV			24					22209	FR85x3,5	
	SC209LA										
	SC209TA										
SNC211-309	SC309DS	V55A	SC513-611EC	25	107	158	117	RDC309	1309	FR100x9,5	
	SC309FS			30,5					2309	FR100x4	
	SC309SV			25					21309	FR100x9,5	
	SC309LA			30,5					22309	FR100x4	
	SC309TA										
SNC210-308	SC210DS	V60A	SC512-610EC	23,5	102	154	112	RDC210	1210	FR90x10,5	
	SC210FS			25					2210	FR90x9	
	SC210SV			25					22210	FR90x9	
	SC210LA										
	SC210TA										
SNC212-310	SC310DS	V60A	SC515-612EC	27	117	168	127	RDC310	1310	FR110x10,5	
	SC310FS			23,5					2310	FR110x4	
	SC310SV			27					21310	FR110x10,5	
	SC310LA			33,5					22310	FR110x4	
	SC310TA										

²⁾ Seals must be ordered for each side of the housing.

³⁾ Optional V-ring available for felt strip seal (FS).

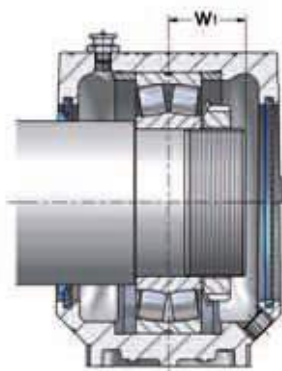


Pillow block housing for bearings with cylindrical bore

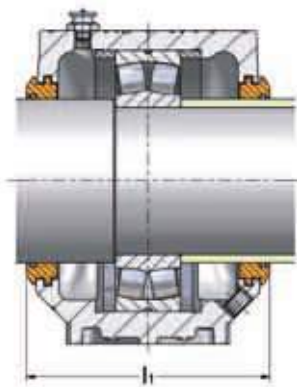


d	Type	d ₁	D	Housing dimensions											Weight approx ¹⁾ [kg]					
				a	b	c	g	h	l	m	G	u	v	h ₁		m ₁	n ₁	m ₂	n ₂	n ₃
55	SNC211	65	100	255	70	28	44	70	95	210	M16	18	24	127	200	49	234	40	56	5,0
	SNC311	65	120	275	80	30	51	80	110	230	M16	18	24	148	220	58	252	48	63	6,7
60	SNC212	70	110	255	70	30	48	70	105	210	M16	18	24	133	200	54	234	40	64	5,3
	SNC312	70	130	280	80	30	56	80	115	230	M16	18	24	155	220	58	257	48	72	7,0
65	SNC213	75	120	275	80	30	51	80	110	230	M16	18	24	148	220	58	252	48	63	6,7
	SNC313	75	140	315	90	32	58	95	120	260	M20	22	28	175	252	66	288	52	72	9,5

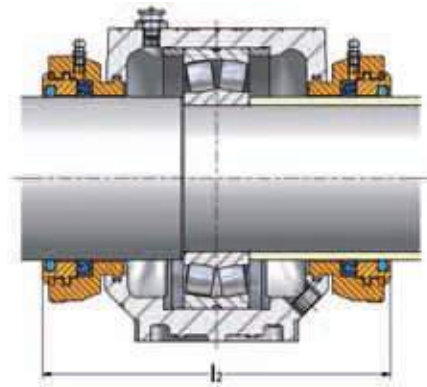
¹⁾ Housing body



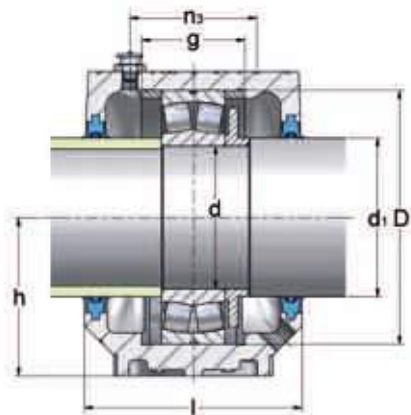
V-ring seal
SC..SV + Cover
SC..EC



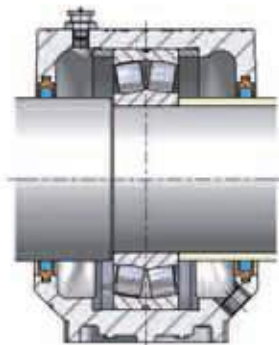
Labyrinth seal
SC..LA



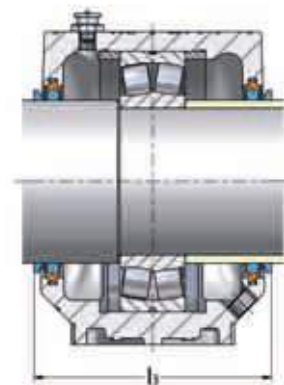
Tacnite seal
SC..TA



Double lip seal
SC..DS + Regulation disc
RDC



Felt strip seal
SC..FS



Felt strip seal
SC..FS + V-Ring
V..A

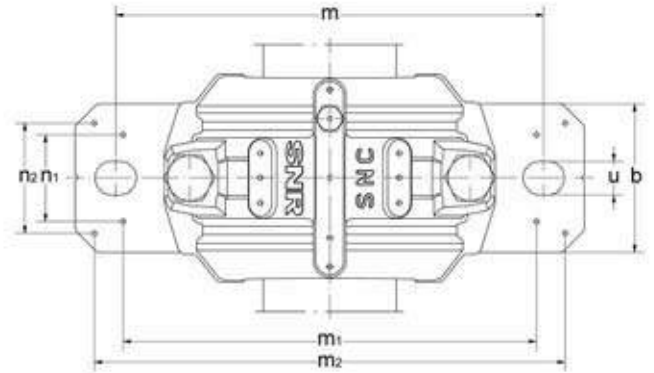
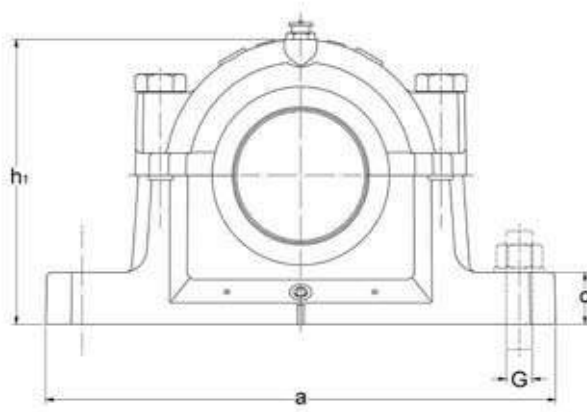
Housing	Seal ²⁾	V-Ring ³⁾	Cover	w ₁	l ₁	l ₂	l ₃	Regulation disc	Rolling bearing	Locating ring x2 per housing
				[mm]						
SNC211-309	SC211DS	V65A	SC513-611EC	25	107	158	117	RDC211	1211	FR100x11,5
	SC211FS			27					2211	FR100x9,5
	SC211SV			27					22211	FR100x9,5
	SC211LA									
	SC211TA									
SNC213-311	SC311DS	V65A	SC516-613EC	29	122	172	132	RDC311	1311	FR120x11
	SC311FS			36					2311	FR120x4
	SC311SV			29					21311	FR120x11
	SC311LA			36					22311	FR120x4
	SC311TA									
SNC212-310	SC212DS	V70A	SC515-612EC	26	119	168	132	RDC212	1212	FR110x13
	SC212FS			29					2212	FR110x10
	SC212SV			29					22212	FR110x10
	SC212LA									
	SC212TA									
SNC215-312	SC312DS	V70A	SC518-615EC	30,5	130	181	142	RDC312	1312	FR130x12,5
	SC312FS			38					2312	FR130x5
	SC312SV			30,5					21312	FR130x12,5
	SC312LA			38					22312	FR130x5
	SC312TA									
SNC213-311	SC213DS	V80A	SC516-613EC	27	125	172	137	RDC213	1213	FR120x14
	SC213FS			31					2213	FR120x10
	SC213SV			31					22213	FR120x10
	SC213LA									
	SC213TA									
SNC216-313	SC313DS	V75A	SC216-313EC	32	137	190	147	RDC313	1313	FR140x12,5
	SC313FS			39,5					2313	FR140x5
	SC313SV			32					21313	FR140x12,5
	SC313LA			39,5					22313	FR140x5
	SC313TA									

²⁾ Seals must be ordered for each side of the housing.

³⁾ Optional V-ring available for felt strip seal (FS).

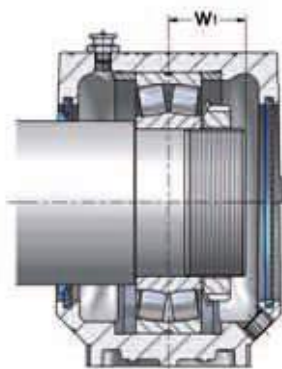


Pillow block housing for bearings with cylindrical bore

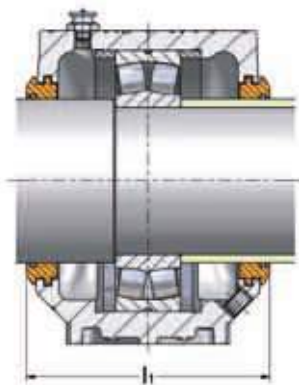


d	Type	d ₁	D	Housing dimensions											Weight approx ¹⁾ [kg]					
				a	b	c	g	h	l	m	G	u	v	h ₁		m ₁	n ₁	m ₂	n ₂	n ₃
70	SNC214	80	125	275	80	30	44	80	115	230	M16	18	23	154	220	58	252	48	66	7,6
	SNC314	80	150	320	90	32	61	95	125	260	M20	22	28	183	252	66	292	52	76	9,8
75	SNC215	85	130	280	80	30	56	80	115	230	M16	18	24	155	220	58	257	48	72	7,0
	SNC315	85	160	345	100	35	65	100	140	290	M20	22	28	192	280	74	319	58	80	12,4
80	SNC216	90	140	315	90	32	58	95	120	260	M20	22	28	175	252	66	288	52	72	9,5
	SNC316	90	170	345	100	35	68	112	145	290	M20	22	28	212	280	70	317	58	88	15,5

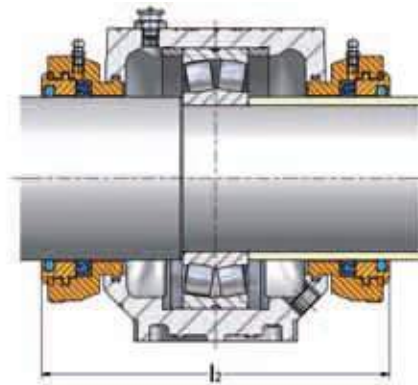
¹⁾ Housing body



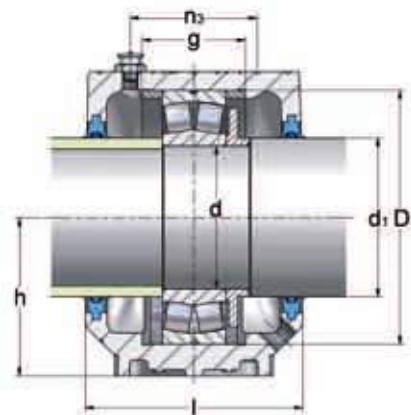
V-ring seal
SC..SV + Cover
SC..EC



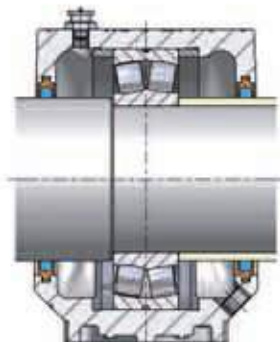
Labyrinth seal
SC..LA



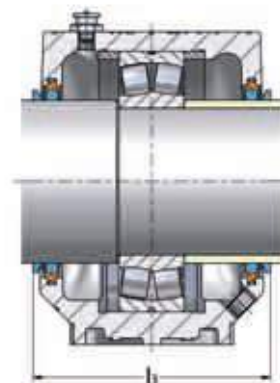
Taconite seal
SC..TA



Double lip seal
SC..DS + Regulation disc
RDC



Felt strip seal
SC..FS



Felt strip seal
SC..FS + V-Ring
V..A

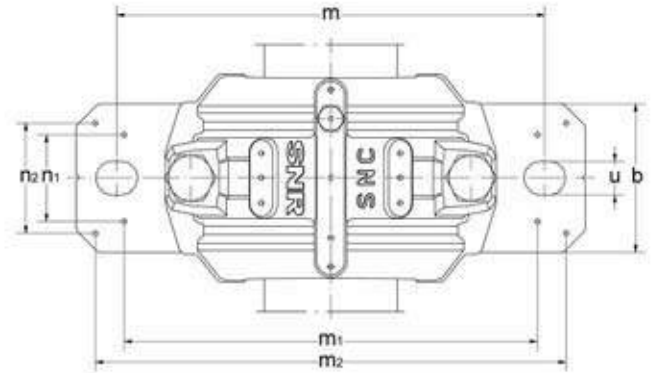
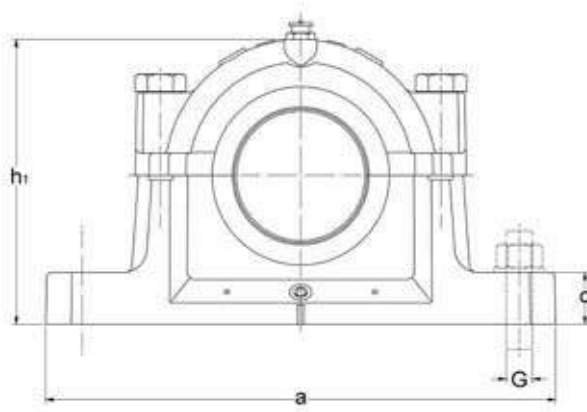
Housing	Seal ²⁾	V-Ring ³⁾	Cover	w ₁	l ₁	l ₂	l ₃	Regulation disc	Rolling bearing	Locating ring x2 per housing
				[mm]						
SNC214	SC214DS	V80A	SC517EC	28,5	130	181	142	RDC214	1214	FR125x10
	SC214FS			32					2214	FR125x6,5
	SC214SV			32					22214	FR125x6,5
	SC214LA									
	SC214TA									
SNC217-314	SC314DS	V80A	SC217-314EC	34	140	201	152	RDC314	1314	FR150x13
	SC314FS			42					2314	FR150x5
	SC314SV			34					21314	FR150x13
	SC314LA			42					22314	FR150x5
	SC314TA									
SNC215-312	SC215DS	V85A	SC518-615EC	29	132	181	142	RDC215	1215	FR130x15,5
	SC215FS			32					2215	FR130x12,5
	SC215SV			32					22215	FR130x12,5
	SC215LA									
	SC215TA									
SNC218-315	SC315DS	V85A	SC218-315EC	35	157	216	167	RDC315	1315	FR160x14
	SC315FS			44					2315	FR160x5
	SC315SV			35					21315	FR160x14
	SC315LA			44					22315	FR160x5
	SC315TA									
SNC216-313	SC216DS	V90A	SC216-313EC	30,5	137	190	147	RDC216	1216	FR140x16
	SC216FS			34					2216	FR140x12,5
	SC216SV			34					22216	FR140x12,5
	SC216LA									
	SC216TA									
SNC219-316	SC316DS	V90A	SC519-616EC	37	159	212	172	RDC316	1316	FR170x14,5
	SC316FS			46,5					2316	FR170x5
	SC316SV			37					21316	FR170x14,5
	SC316LA			46,5					22316	FR170x5
	SC316TA									

²⁾ Seals must be ordered for each side of the housing.

³⁾ Optional V-ring available for felt strip seal (FS).

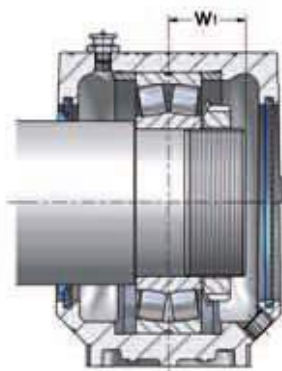


Pillow block housing for bearings with cylindrical bore

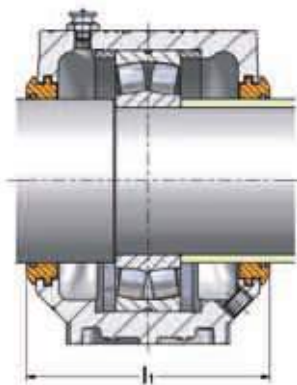


d	Type	d ₁	D	Housing dimensions										Weight						
				a	b	c	g	h	l	m	G	u	v	h ₁	m ₁	n ₁	m ₂	n ₂	n ₃ approx ¹⁾	[kg]
85	SNC217	95	150	320	90	32	61	95	125	260	M20	22	28	183	252	66	292	52	76	9,8
	SNC317	95	180	380	110	40	70	112	160	320	M24	26	32	215	300	78	348	66	104	18,7
90	SNC218	100	160	345	100	35	65	100	140	290	M20	22	28	192	280	74	319	58	80	12,4
	SNC318	100	190	380	110	40	74	112	160	320	M24	26	32	220	300	78	348	66	104	18,5
95	SNC219	110	170	345	100	35	68	112	145	290	M20	22	28	212	280	70	317	58	88	15,5
	SNC319	110	200	410	120	45	80	125	175	350	M24	26	32	242	320	88	378	74	110	24,8

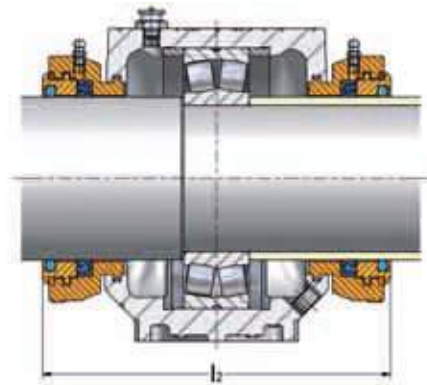
¹⁾ Housing body



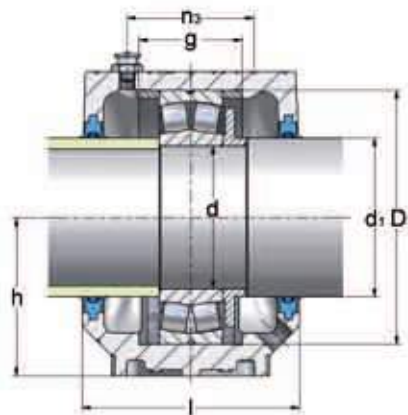
V-ring seal
SC..SV + Cover
SC..EC



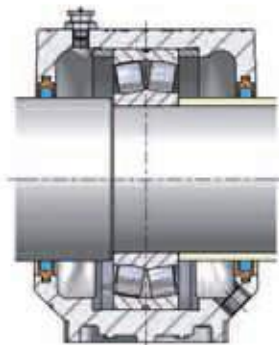
Labyrinth seal
SC..LA



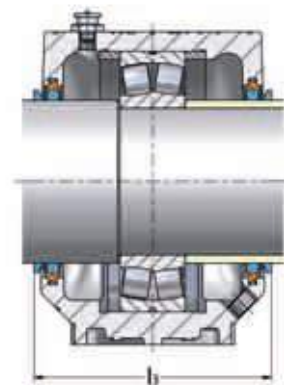
Tacomite seal
SC..TA



Double lip seal
SC..DS + Regulation disc
RDC



Felt strip seal
SC..FS



Felt strip seal
SC..FS + V-Ring
V..A

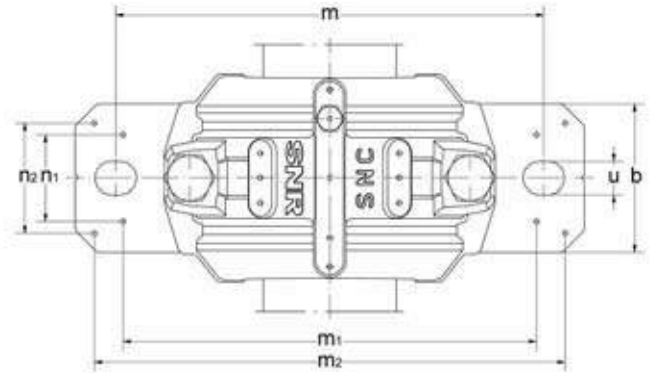
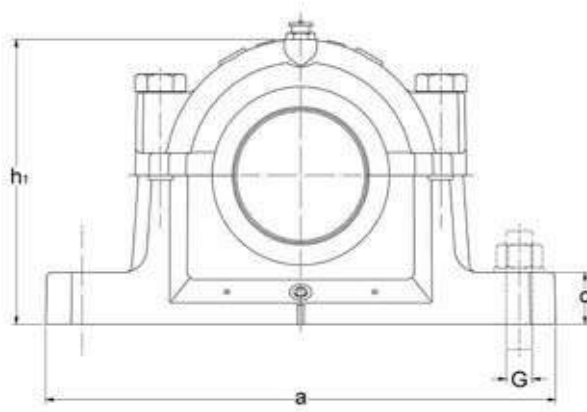
Housing	Seal ²⁾	V-Ring ³⁾	Cover	w ₁	l ₁	l ₂	l ₃	Regulation disc	Rolling bearing	Locating ring x2 per housing
				[mm]						
SNC217-314	SC217DS	V95A	SC217-314EC	33,5	142	201	152	RDC217	1217	FR150x16,5
	SC217FS			37,5					2217	FR150x12,5
	SC217SV			37,5					22217	FR150x12,5
	SC217LA									
	SC217TA									
SNC220-317	SC317DS	V95A	SC520-617EC	40	174	227	187	RDC317	1317	FR180x14,5
	SC317FS			49,5					2317	FR180x5
	SC317SV			40					21317	FR180x14,5
	SC317LA			49,5					22317	FR180x5
	SC317TA									
SNC218-315	SC218DS	V100A	SC218-315EC	35,5	157	216	167	RDC218	1218	FR160x17,5
	SC218FS			40,5					2218	FR160x12,5
	SC218SV			40,5					22218	FR160x12,5
	SC218LA			46,8					23218	FR160x6,25
	SC218TA									
SNC318-618	SC318DS	V110A	SC318-618EC	42	174	227	191	RDC318	1318	FR190x15,5
	SC318FS			52,5					2318	FR190x5
	SC318SV			42					21318	FR190x15,5
	SC318LA			52,5					22318	FR190x5
	SC318TA									
SNC219-316	SC219DS	V110A	SC519-616EC	36,5	159	212	176	RDC219	1219	FR170x18
	SC219FS			42					2219	FR170x12,5
	SC219SV			42					22219	FR170x12,5
	SC219LA									
	SC219TA									
SNC222-319	SC319DS	V110A	SC522-619EC	43	189	242	206	RDC319	1319	FR200x17,5
	SC319FS			54					2319	FR200x6,5
	SC319SV			43					21319	FR200x17,5
	SC319LA			54					22319	FR200x6,5
	SC319TA									

²⁾ Seals must be ordered for each side of the housing.

³⁾ Optional V-ring available for felt strip seal (FS).

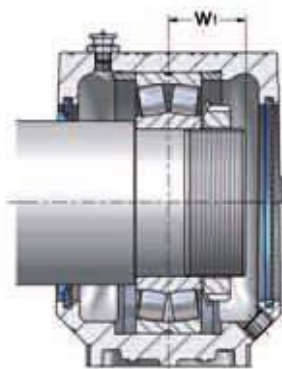


Pillow block housing for bearings with cylindrical bore

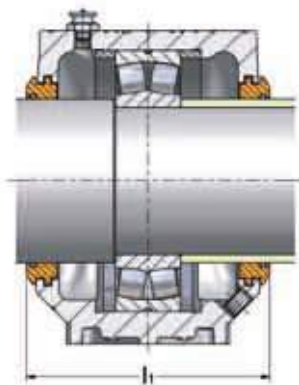


d	Type	d ₁	D	Housing dimensions											Weight approx ¹⁾ [kg]					
				a	b	c	g	h	l	m	G	u	v	h ₁		m ₁	n ₁	m ₂	n ₂	n ₃
100	SNC220	115	180	380	110	40	70	112	160	320	M24	26	32	215	300	78	348	66	104	18,7
	SNC320	115	215	410	120	45	86	140	185	350	M24	26	32	271	330	88	378	74	122	30,4
110	SNC222	125	200	410	120	45	80	125	175	350	M24	26	32	242	320	88	378	74	110	24,8
120	SNC224	135	215	410	120	45	86	140	185	350	M24	26	32	271	330	88	378	74	122	30,4
130	SNC226	145	230	445	130	50	90	150	190	380	M24	28	35	290	370	92	414	80	122	36,6
140	SNC228	155	250	500	150	50	98	150	205	420	M30	35	42	302	400	108	458	92	128	42,5

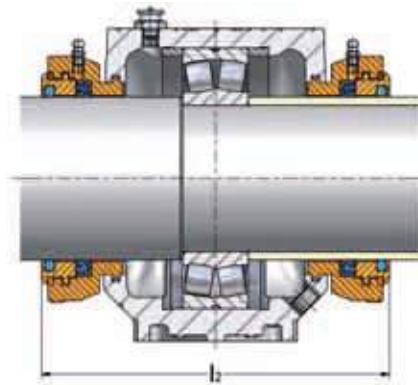
¹⁾ Housing body



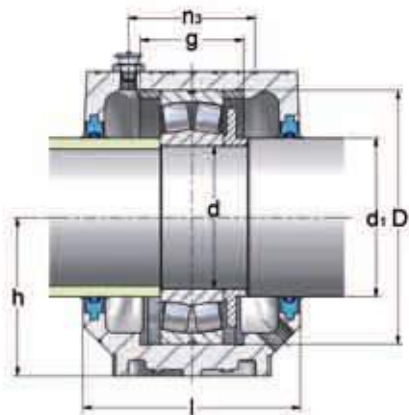
V-ring seal
SC..SV + Cover
SC..EC



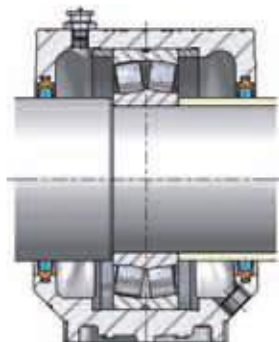
Labyrinth seal
SC..LA



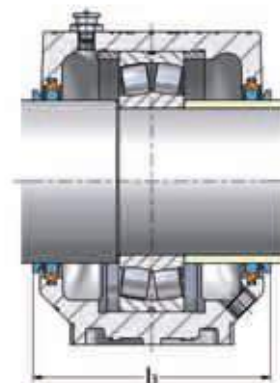
Taconite seal
SC..TA



Double lip seal
SC..DS + Regulation disc
RDC



Felt strip seal
SC..FS



Felt strip seal
SC..FS + V-Ring
V..A

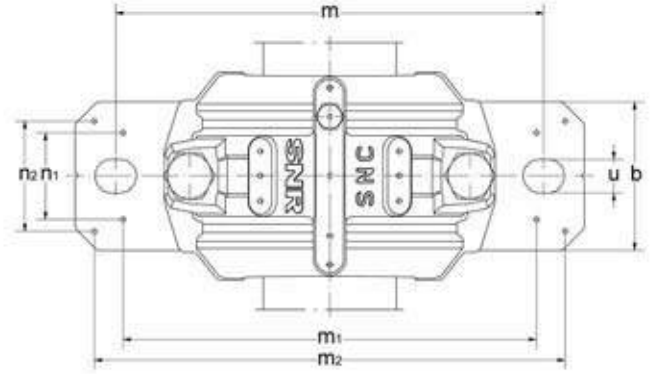
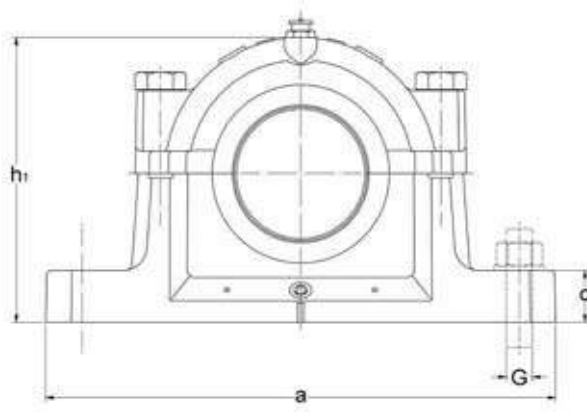
Housing	Seal ²⁾	V-Ring ³⁾	Cover	w ₁	l ₁	l ₂	l ₃	Regulation disc	Rolling bearing	Locating ring x2 per housing
				[mm]						
SNC220-317	SC220DS	V120A	SC520-617EC	38,5	177	227	191	RDC220	1220	FR180x18
	SC220FS			44,5					2220	FR180x12
	SC220SV			44,5					23220	FR180x12
	SC220LA			51,7						FR180x4,85
	SC220TA									
SNC224-320	SC320DS	V120A	SC524-620EC	45,0	200	249	216	RDC320	1320	FR215x19,5
	SC320FS			58,0					2320	FR215x6,5
	SC320SV			45,0					21320	FR215x19,5
	SC320LA			58,0					22320	FR215x6,5
	SC320TA									
SNC222-319	SC222DS	V130A	SC522-619EC	41,5	193	242	206	RDC222	1222	FR200x21
	SC222FS			49,0					2222	FR200x13,5
	SC222SV			49,0					22222	FR200x13,5
	SC222LA			57,4					23222	FR200x5,1
	SC222TA									
SNC224-320	SC224DS	V140A	SC524-620EC	53,5	201	249	216	RDC224	2224	FR215x14
	SC224FS			62,5					23224	FR215x5
	SC224SV									
	SC224LA									
	SC224TA									
SNC226-526	SC226DS	V150A	SC226-526EC	57,5	201	259	221	RDC226	2226	FR230x13
	SC226FS			65,5					23226	FR230x5
	SC226SV									
	SC226LA									
	SC226TA									
SNC228-528	SC228DS	V160A	SC228-528EC	60,5	221	275	241	RDC228	2228	FR250x15
	SC228FS			70,5					23228	FR250x5
	SC228SV									
	SC228LA									
	SC228TA									

²⁾ Seals must be ordered for each side of the housing.

³⁾ Optional V-ring available for felt strip seal (FS).

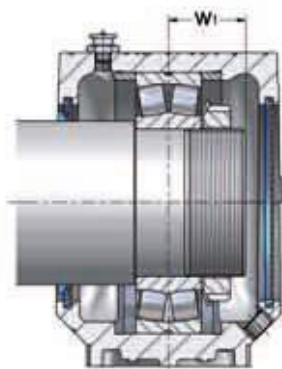


Pillow block housing for bearings with cylindrical bore

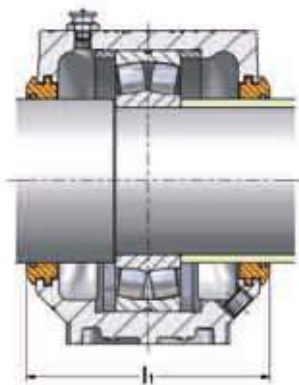


d	Type	d ₁	D	Housing dimensions											Weight approx ¹⁾ [kg]					
				a	b	c	g	h	l	m	G	u	v	h ₁		m ₁	n ₁	m ₂	n ₂	n ₃
150	SNC230	165	270	530	160	60	106	160	220	450	M30	35	42	323	430	116	486	100	140	55,2
160	SNC232	175	290	550	160	60	114	170	235	470	M30	35	42	344	450	116	506	100	155	63,0

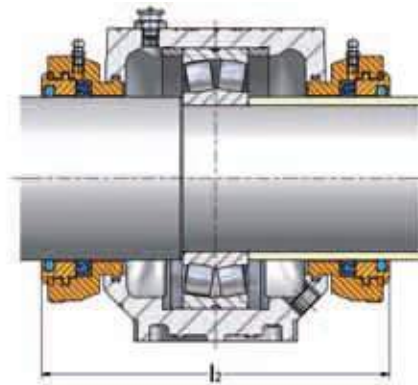
¹⁾ Housing body



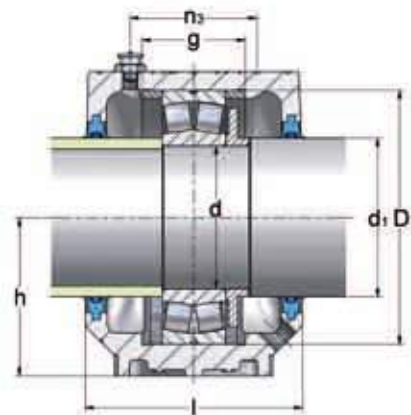
V-ring seal
SC..SV + Cover
SC..EC



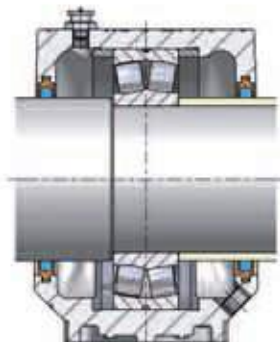
Labyrinth seal
SC..LA



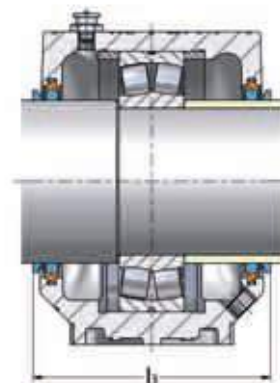
Taconite seal
SC..TA



Double lip seal
SC..DS + Regulation disc
RDC



Felt strip seal
SC..FS



Felt strip seal
SC..FS + V-Ring
V..A

Housing	Seal ²⁾	V-Ring ³⁾	Cover	w ₁	l ₁ l ₂ l ₃ [mm]			Regulation disc	Rolling bearing	Locating ring x2 per housing
SNC230-530	SC230DS	V170A	SC230-530EC	65,0	236	294	256	RDC230	22230	FR270x16,5 FR270x5
	SC230FS			76,5					23230	
	SC230SV									
	SC230LA									
	SC230TA									
SNC232-532	SC232DS	V180A	SC232-532EC	70,5	251	309	271	RDC232	22232	FR290x17 FR290x5
	SC232FS			82,5					23232	
	SC232SV									
	SC232LA									
	SC232TA									

²⁾ Seals must be ordered for each side of the housing.

³⁾ Optional V-ring available for felt strip seal (FS).

Maintenance: SNR tools for mounting and removal of rolling bearings

Know-how and cleanliness are crucial for mounting and removing rolling bearings. SNR offers tools tailored to your requirements to extend the service life of your rolling bearings and to ensure your productivity levels.

- ① - Induction heating device: Fast Therm 20/35/150/300/600/1000
- ② - Mounting case
- ③ - Wrench for standard and precision locknuts
- ④ - Hydraulic extractor 10T
- ⑤ - Heat protection gloves, Kevlar®



All products in this area can be found in our SNR Maintenance catalogue, which contains 64 pages of solutions for:

- Lubrication
- Mounting and removal
- Measurements and monitoring
- Vibration analysis, training...



Maintenance: SNR lubricating grease and accessories for correct greasing

Correct greasing of a bearing arrangement is a prerequisite for fault-free operation.

Lubrication recommendations

- Choose appropriate grease types for the operating conditions,
- Use correct grease quantity,
- Avoid soiling during mounting, removal and maintenance,
- Schedule relubrication periods,
- Use SNR lubricants and relubrication equipment.

Relubrication

For applications with high speeds and temperatures, relubrication of the rolling bearings is necessary. The bearing must rotate during relubrication to ensure

even distribution of the grease. We recommend that you do **not** change the grease type.

SNR products for common applications

- ① - The SNR-LUB range is specially designed for self-aligning roller bearings:
 - **SNR-LUB EP grease**, extremely resistant to pressure: high loads at normal speeds.
 - **SNR-LUB VX grease**, high loads and low speeds: recommended for vibration applications.
 - **SNR-LUB FV grease**, low speeds.
- ② - Special grease gun for bearings
- ③ - Automatic lubricator





Condition monitoring: Diagnostic equipment for monitoring fault-free operation

Continuous and/or periodic vibration monitoring

90% of premature damage can be attributed to external causes. We therefore recommend that the condition of the rolling bearing is monitored repeatedly. Periodic or continuous monitoring enables damage to be identified in its initial stages. This allows precautionary replacement of the defective bearing to be planned and avoids unscheduled standstill times. A series of typical indicators can be specified, based on the machine arrangement:

Noise level, lubrication, operating temperature of bearing, contamination, moisture

In association with **01dB-Metravib**, SNR offers a complete range of monitoring equipment for analysing environmental influences that can impair the functioning of rolling bearings and your machines.

Our vibratory application expertise services will allow you to define:

- the monitoring methods and inspection means,
- the inspection periods,
- the organization to be put in place,
- the formal result recording process.



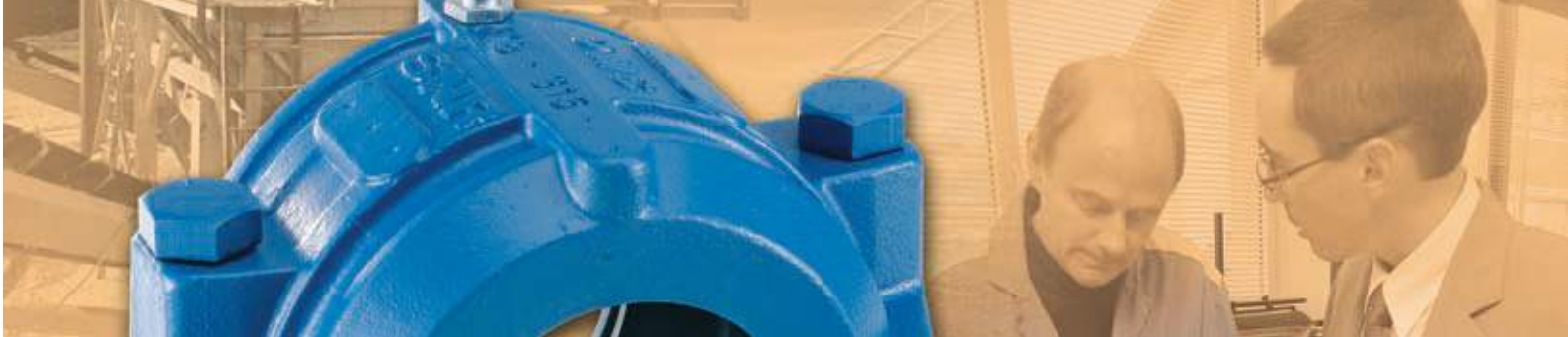
The laser sighting thermometer

Monitoring of rolling bearing temperature during operation.

Calibrated thickness gauges

Measurement of radial clearance from self-aligning roller bearings.





SNR : SNC Pillow Block Housings

Designed for the most applications in machine and plant engineering, the SNR Pillow Blocks always offer the optimum solution.

contatto
contatto
お問い合わせ
contacto
contacto
contact
contact
الاتصال ب
联系我们
Lian xi wo men
Kontakt
Kontakt

www.snr-contact.com

AUTOMOTIVE / AEROSPACE / INDUSTRY

DOC.: SNC_CAT1_GBa - SNR copyright international 03/2006 - Printed in France