

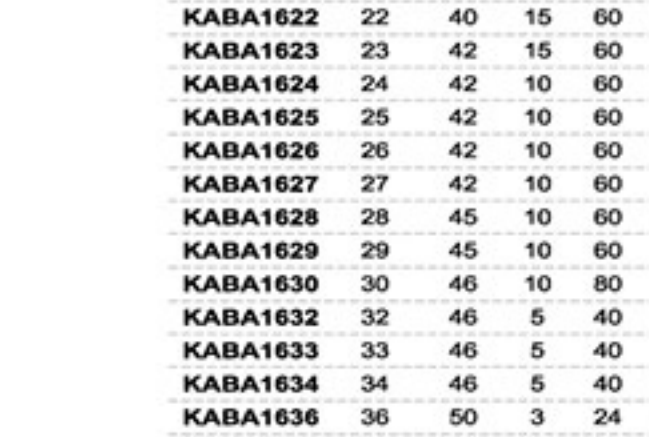
6PT Flank Impact Sockets



METRIC Black Phosphate Finished

| DRIVE | ITEM NO. | SIZE (mm) | L (mm) | Weight (g) | Weight (oz) |
|-------|----------|-----------|--------|------------|-------------|
| 3/8" | KABA1207 | 7 | 30 | 15 | 270 |
| 3/8" | KABA1208 | 8 | 30 | 15 | 270 |
| 3/8" | KABA1209 | 9 | 30 | 15 | 270 |
| 3/8" | KABA1210 | 10 | 30 | 15 | 270 |
| 3/8" | KABA1211 | 11 | 30 | 10 | 180 |
| 3/8" | KABA1212 | 12 | 30 | 10 | 180 |
| 3/8" | KABA1213 | 13 | 30 | 10 | 180 |
| 3/8" | KABA1214 | 14 | 30 | 10 | 160 |
| 3/8" | KABA1215 | 15 | 30 | 10 | 160 |
| 3/8" | KABA1216 | 16 | 30 | 10 | 160 |
| 3/8" | KABA1217 | 17 | 30 | 10 | 160 |
| 3/8" | KABA1218 | 18 | 30 | 10 | 160 |
| 3/8" | KABA1219 | 19 | 30 | 10 | 160 |
| 3/8" | KABA1220 | 20 | 30 | 10 | 160 |
| 3/8" | KABA1221 | 21 | 30 | 10 | 160 |
| 3/8" | KABA1222 | 22 | 30 | 10 | 160 |
| 1/2" | KABA1608 | 8 | 38 | 25 | 150 |
| 1/2" | KABA1609 | 9 | 38 | 25 | 150 |
| 1/2" | KABA1610 | 10 | 38 | 25 | 150 |
| 1/2" | KABA1611 | 11 | 38 | 25 | 150 |
| 1/2" | KABA1612 | 12 | 38 | 25 | 150 |
| 1/2" | KABA1613 | 13 | 38 | 25 | 150 |
| 1/2" | KABA1614 | 14 | 38 | 25 | 150 |
| 1/2" | KABA1615 | 15 | 38 | 25 | 100 |
| 1/2" | KABA1616 | 16 | 38 | 20 | 80 |
| 1/2" | KABA1617 | 17 | 40 | 20 | 80 |
| 1/2" | KABA1618 | 18 | 40 | 15 | 60 |
| 1/2" | KABA1619 | 19 | 40 | 15 | 60 |
| 1/2" | KABA1620 | 20 | 40 | 15 | 60 |
| 1/2" | KABA1621 | 21 | 40 | 15 | 60 |
| 1/2" | KABA1622 | 22 | 40 | 15 | 60 |
| 1/2" | KABA1623 | 23 | 42 | 15 | 60 |
| 1/2" | KABA1624 | 24 | 42 | 10 | 60 |
| 1/2" | KABA1625 | 25 | 42 | 10 | 60 |
| 1/2" | KABA1626 | 26 | 42 | 10 | 60 |
| 1/2" | KABA1627 | 27 | 42 | 10 | 60 |
| 1/2" | KABA1628 | 28 | 45 | 10 | 60 |
| 1/2" | KABA1629 | 29 | 45 | 10 | 60 |
| 1/2" | KABA1630 | 30 | 46 | 10 | 80 |
| 1/2" | KABA1632 | 32 | 46 | 5 | 40 |
| 1/2" | KABA1633 | 33 | 46 | 5 | 40 |
| 1/2" | KABA1634 | 34 | 46 | 5 | 40 |
| 1/2" | KABA1636 | 36 | 50 | 3 | 24 |
| 1/2" | KABA1638 | 38 | 50 | 3 | 24 |
| 1/2" | KABA1641 | 41 | 50 | 3 | 24 |
| 3/4" | KABA2417 | 17 | 50 | 5 | 40 |
| 3/4" | KABA2419 | 19 | 50 | 5 | 40 |
| 3/4" | KABA2421 | 21 | 50 | 5 | 40 |
| 3/4" | KABA2422 | 22 | 50 | 5 | 40 |
| 3/4" | KABA2423 | 23 | 50 | 5 | 40 |
| 3/4" | KABA2424 | 24 | 50 | 5 | 40 |
| 3/4" | KABA2426 | 26 | 50 | 5 | 40 |
| 3/4" | KABA2427 | 27 | 50 | 5 | 40 |
| 3/4" | KABA2428 | 28 | 50 | 5 | 40 |
| 3/4" | KABA2429 | 29 | 53 | 5 | 40 |
| 3/4" | KABA2430 | 30 | 53 | 5 | 40 |
| 3/4" | KABA2432 | 32 | 53 | 5 | 40 |
| 3/4" | KABA2433 | 33 | 55 | 5 | 40 |
| 3/4" | KABA2434 | 34 | 55 | 5 | 40 |
| 3/4" | KABA2435 | 35 | 55 | 5 | 40 |
| 3/4" | KABA2436 | 36 | 55 | 2 | 16 |
| 3/4" | KABA2438 | 38 | 57 | 2 | 16 |
| 3/4" | KABA2441 | 41 | 57 | 2 | 16 |
| 3/4" | KABA2446 | 46 | 62 | 2 | 16 |

6PT Flank Impact Sockets



METRIC Black Phosphate Finished

| DRIVE | ITEM NO. | SIZE (mm) | L (mm) | Weight (g) | Weight (oz) |
|--------|----------|-----------|--------|------------|-------------|
| 1-1/2" | KABA4841 | 41 | 80 | 2 | 8 |
| 1-1/2" | KABA4846 | 46 | 84 | 2 | 8 |
| 1-1/2" | KABA4850 | 50 | 87 | 2 | 8 |
| 1-1/2" | KABA4855 | 55 | 90 | 2 | 8 |
| 1-1/2" | KABA4860 | 60 | 92 | 2 | 8 |
| 1-1/2" | KABA4865 | 65 | 95 | 2 | 8 |
| 1-1/2" | KABA4870 | 70 | 100 | 2 | 8 |
| 1-1/2" | KABA4875 | 75 | 103 | 1 | 4 |
| 1-1/2" | KABA4880 | 80 | 110 | 1 | 4 |
| 1-1/2" | KABA4885 | 85 | 118 | 1 | 4 |
| 1-1/2" | KABA4890 | 90 | 118 | 1 | 4 |
| 1-1/2" | KABA4895 | 95 | 118 | 1 | 4 |
| 1-1/2" | KABA48A0 | 100 | 125 | 1 | 2 |
| 1-1/2" | KABA48A5 | 105 | 125 | 1 | 2 |
| 1-1/2" | KABA48B0 | 110 | 125 | 1 | 2 |
| 1-1/2" | KABA48B5 | 115 | 135 | 1 | 2 |
| 1-1/2" | KABA48C0 | 120 | 135 | 1 | 2 |

CR-MO DIN 3121

8PCS 3/8" DR. 6PT Impact Socket Rail Set



Black Phosphate Finished
ITEM NO. CONTENTS 15 (SET)
GDAG0801 KABA1208-1219
8, 10, 11, 12, 13, 14, 17, 19 mm

12PCS 3/8" DR. 6PT Impact Socket Rail Set



Black Phosphate Finished
ITEM NO. CONTENTS 10 (SET)
GDAG1201 KABA1208-1219
8, 9, 10, 11, 12, 13, 14, 15, 16, 17, 18, 19 mm

CR-MO DIN 3121

6PT Flank Impact Sockets



SAE Black Phosphate Finished

| DRIVE | ITEM NO. | SIZE (inch) | L (mm) | Weight (g) | Weight (oz) |
|-------|----------|-------------|--------|------------|-------------|
| 1/2" | KBBA1610 | 5/16 | 38 | 25 | 250 |
| 1/2" | KBBA1612 | 3/8 | 38 | 25 | 250 |
| 1/2" | KBBA1614 | 7/16 | 38 | 25 | 250 |
| 1/2" | KBBA1616 | 1/2 | 38 | 25 | 250 |
| 1/2" | KBBA1618 | 9/16 | 38 | 25 | 250 |
| 1/2" | KBBA1620 | 5/8 | 38 | 20 | 160 |
| 1/2" | KBBA1622 | 11/16 | 38 | 20 | 160 |
| 1/2" | KBBA1624 | 3/4 | 38 | 15 | 120 |
| 1/2" | KBBA1626 | 13/16 | 38 | 15 | 120 |
| 1/2" | KBBA1628 | 7/8 | 38 | 15 | 120 |
| 1/2" | KBBA1630 | 15/16 | 38 | 10 | 100 |
| 1/2" | KBBA1632 | 1 | 38 | 10 | 100 |
| 1/2" | KBBA1634 | 1-1/16 | 40 | 10 | 100 |
| 1/2" | KBBA1636 | 1-1/8 | 40 | 10 | 100 |
| 1/2" | KBBA1638 | 1-3/16 | 40 | 10 | 80 |
| 1/2" | KBBA1640 | 1-1/4 | 40 | 5 | 40 |

6PT Flank Deep Impact Sockets



METRIC Black Phosphate Finished

| DRIVE | ITEM NO. | SIZE (mm) | L (mm) | Weight (g) | Weight (oz) |
|-------|----------|-----------|--------|------------|-------------|
| 3/8" | KABE1208 | 8 | 65 | 10 | 160 |
| 3/8" | KABE1209 | 9 | 65 | 10 | 160 |
| 3/8" | KABE1210 | 10 | 65 | 10 | 160 |
| 3/8" | KABE1211 | 11 | 65 | 10 | 160 |
| 3/8" | KABE1212 | 12 | 65 | 10 | 160 |
| 3/8" | KABE1213 | 13 | 65 | 10 | 160 |
| 3/8" | KABE1214 | 14 | 65 | 10 | 160 |
| 3/8" | KABE1215 | 15 | 65 | 10 | 100 |
| 3/8" | KABE1216 | 16 | 65 | 10 | 100 |
| 3/8" | KABE1217 | 17 | 65 | 10 | 100 |
| 3/8" | KABE1218 | 18 | 65 | 10 | 100 |
| 3/8" | KABE1219 | 19 | 65 | 10 | 100 |
| 3/8" | KABE1220 | 20 | 65 | 5 | 50 |
| 3/8" | KABE1221 | 21 | 65 | 5 | 50 |
| 3/8" | KABE1222 | 22 | 65 | 5 | 50 |
| 1/2" | KABE1608 | 8 | 78 | 10 | 80 |
| 1/2" | KABE1609 | 9 | 78 | 10 | 80 |
| 1/2" | KABE1610 | 10 | 78 | 10 | 80 |
| 1/2" | KABE1611 | 11 | 78 | 10 | 80 |
| 1/2" | KABE1612 | 12 | 78 | 10 | 80 |
| 1/2" | KABE1613 | 13 | 78 | 10 | 80 |
| 1/2" | KABE1614 | 14 | 78 | 10 | 80 |
| 1/2" | KABE1615 | 15 | 78 | 10 | 80 |
| 1/2" | KABE1616 | 16 | 78 | 10 | 80 |
| 1/2" | KABE1617 | 17 | 78 | 10 | 40 |
| 1/2" | KABE1618 | 18 | 78 | 10 | 40 |
| 1/2" | KABE1619 | 19 | 78 | 10 | 40 |
| 1/2" | KABE1620 | 20 | 78 | 10 | 40 |
| 1/2" | KABE1621 | 21 | 78 | 10 | 40 |
| 1/2" | KABE1622 | 22 | 78 | 10 | 40 |
| 1/2" | KABE1623 | 23 | 78 | 10 | 40 |
| 1/2" | KABE1624 | 24 | 78 | 10 | 40 |
| 1/2" | KABE1625 | 25 | 78 | 10 | 40 |
| 1/2" | KABE1626 | 26 | 78 | 10 | 40 |
| 1/2" | KABE1627 | 27 | 78 | 8 | 32 |
| 1/2" | KABE1628 | 28 | 78 | 8 | 32 |
| 1/2" | KABE1629 | 29 | 78 | 8 | 32 |
| 1/2" | KABE1630 | 30 | 78 | 5 | 20 |
| 1/2" | KABE1632 | 32 | 78 | 5 | 20 |
| 1/2" | KABE1633 | 33 | 78 | 5 | 20 |
| 1/2" | KABE1634 | 34 | 78 | 5 | 20 |
| 1/2" | KABE1636 | 36 | 78 | 5 | 20 |
| 1/2" | KABE1638 | 38 | 78 | 4 | 16 |
| 1/2" | KABE1641 | 41 | 78 | 3 | 12 |
| 3/4" | KABE2419 | 19 | 90 | 5 | 30 |
| 3/4" | KABE2421 | 21 | 90 | 5 | 30 |
| 3/4" | KABE2422 | 22 | 90 | 5 | 30 |
| 3/4" | KABE2423 | 23 | 90 | 5 | 30 |
| 3/4" | KABE2424 | 24 | 90 | 5 | 30 |
| 3/4" | KABE2426 | 26 | 90 | 5 | 30 |
| 3/4" | KABE2427 | 27 | 90 | 5 | 30 |
| 3/4" | KABE2428 | 28 | 90 | 5 | 30 |
| 3/4" | KABE2429 | 29 | 90 | 5 | 30 |
| 3/4" | KABE2430 | 30 | 90 | 2 | 20 |
| 3/4" | KABE2432 | 32 | 90 | 2 | 20 |
| 3/4" | KABE2433 | 33 | 90 | 2 | 16 |
| 3/4" | KABE2434 | 34 | 90 | 2 | 16 |
| 3/4" | KABE2435 | 35 | 90 | 2 | 16 |

CR-MO DIN 3121

6PT Flank Deep Impact Sockets



SAE Black Phosphate Finished

| DRIVE | ITEM NO. | SIZE (inch) | L (mm) | Weight (g) | Weight (oz) |
|-------|----------|-------------|--------|------------|-------------|
| 1/2" | KBBE1610 | 5/16 | 78 | 10 | 80 |
| 1/2" | KBBE1612 | 3/8 | 78 | 10 | 80 |
| 1/2" | KBBE1614 | 7/16 | 78 | 10 | 80 |
| 1/2" | KBBE1616 | 1/2 | 78 | 10 | 80 |
| 1/2" | KBBE1618 | 9/16 | 78 | 10 | 80 |
| 1/2" | KBBE1620 | 5/8 | 78 | 10 | 80 |
| 1/2" | KBBE1622 | 11/16 | 78 | 10 | 40 |
| 1/2" | KBBE1624 | 3/4 | 78 | 10 | 40 |
| 1/2" | KBBE1626 | 13/16 | 78 | 10 | 40 |
| 1/2" | KBBE1628 | 7/8 | 78 | 10 | 40 |
| 1/2" | KBBE1630 | 15/16 | 78 | 10 | 40 |
| 1/2" | KBBE1632 | 1 | 78 | 10 | 40 |
| 1/2" | KBBE1634 | 1-1/16 | 78 | 8 | 32 |
| 1/2" | KBBE1636 | 1-1/8 | 78 | 8 | 32 |
| 1/2" | KBBE1638 | 1-3/16 | 78 | 5 | 20 |
| 1/2" | KBBE1640 | 1-1/4 | 78 | 5 | 20 |

1" DR. Square Budd Wheel Impact Sockets (4PT) (CR-MO) (DIN 3121)



METRIC

| DRIVE | ITEM NO. | SIZE (mm) | L (mm) | Weight | Box Qty |
|-------|----------|-----------|--------|--------|---------|
| 1" | KABM3217 | 17 | 57 | 2 | 16 |
| 1" | KABM3219 | 19 | 57 | 2 | 16 |
| 1" | KABM3221 | 21 | 57 | 2 | 16 |

1/2" DR. Star Impact Sockets (CR-MO) (DIN 3121)



Black Phosphate Finished

| DRIVE | ITEM NO. | SIZE | L (mm) | Weight | Box Qty |
|-------|----------|------|--------|--------|---------|
| 1/2" | KABK1610 | E10 | 38 | 25 | 150 |
| 1/2" | KABK1612 | E12 | 38 | 25 | 150 |
| 1/2" | KABK1614 | E14 | 38 | 25 | 150 |
| 1/2" | KABK1616 | E16 | 38 | 25 | 150 |
| 1/2" | KABK1618 | E18 | 38 | 25 | 150 |
| 1/2" | KABK1620 | E20 | 38 | 20 | 120 |
| 1/2" | KABK1624 | E24 | 40 | 15 | 120 |

7PCS 1/2" DR. Star Impact Socket Rail Set



Black Phosphate Finished

| ITEM NO. | CONTENTS | Weight | Box Qty |
|----------|--|----------|---------|
| GDAG0701 | KABK1610-1624 E10, E12, E14, E16, E18, E20, E24 | 10 (SET) | |

Star Bit Impact Sockets (SNCM+V) (DIN 3121)



Black Phosphate Finished

| DRIVE | ITEM NO. | SIZE | L (mm) | Weight | Box Qty |
|-------|----------|------|--------|--------|---------|
| 3/8" | KADA1220 | T20 | 52 | 25 | 200 |
| 3/8" | KADA1225 | T25 | 52 | 25 | 200 |
| 3/8" | KADA1227 | T27 | 52 | 25 | 200 |
| 3/8" | KADA1230 | T30 | 52 | 25 | 200 |
| 3/8" | KADA1240 | T40 | 52 | 25 | 200 |
| 3/8" | KADA1245 | T45 | 52 | 25 | 200 |
| 3/8" | KADA1250 | T50 | 52 | 25 | 200 |
| 3/8" | KADA1255 | T55 | 60 | 25 | 200 |
| 1/2" | KADA1627 | T27 | 60 | 25 | 200 |
| 1/2" | KADA1630 | T30 | 60 | 25 | 200 |
| 1/2" | KADA1640 | T40 | 60 | 25 | 200 |
| 1/2" | KADA1645 | T45 | 60 | 25 | 200 |
| 1/2" | KADA1650 | T50 | 60 | 25 | 200 |
| 1/2" | KADA1655 | T55 | 60 | 25 | 200 |
| 1/2" | KADA1660 | T60 | 60 | 25 | 200 |
| 1/2" | KADA1670 | T70 | 60 | 25 | 200 |

Hex Bit Impact Sockets (SNCM+V) (DIN 3121)



Black Phosphate Finished

| DRIVE | ITEM NO. | SIZE (mm) | L (mm) | Weight | Box Qty |
|-------|----------|-----------|--------|--------|---------|
| 3/8" | KADH1203 | 3 | 52 | 25 | 200 |
| 3/8" | KADH1204 | 4 | 52 | 25 | 200 |
| 3/8" | KADH1205 | 5 | 52 | 25 | 200 |
| 3/8" | KADH1206 | 6 | 52 | 25 | 200 |
| 3/8" | KADH1207 | 7 | 52 | 25 | 200 |
| 3/8" | KADH1208 | 8 | 52 | 25 | 200 |
| 3/8" | KADH1210 | 10 | 52 | 25 | 200 |
| 3/8" | KADH1212 | 12 | 52 | 25 | 200 |
| 1/2" | KADH1604 | 4 | 60 | 25 | 200 |
| 1/2" | KADH1605 | 5 | 60 | 25 | 200 |
| 1/2" | KADH1606 | 6 | 60 | 25 | 200 |
| 1/2" | KADH1607 | 7 | 60 | 25 | 200 |
| 1/2" | KADH1608 | 8 | 60 | 25 | 200 |
| 1/2" | KADH1609 | 9 | 60 | 25 | 100 |
| 1/2" | KADH1610 | 10 | 60 | 25 | 100 |
| 1/2" | KADH1612 | 12 | 60 | 25 | 100 |
| 1/2" | KADH1614 | 14 | 60 | 25 | 100 |
| 1/2" | KADH1617 | 17 | 60 | 25 | 100 |
| 1/2" | KADH1619 | 19 | 60 | 20 | 80 |

Impact Bit Holders (CR-MO)



Black Phosphate Finished

| ITEM NO. | DRIVE (inch) | Hex Shank | L (mm) | Weight | Box Qty |
|----------|--------------|-----------|--------|--------|---------|
| KADC1208 | 3/8 | 1/4" | 46 | 20 | 320 |
| KADC1210 | 3/8 | 5/16" | 46 | 20 | 320 |
| KADC1608 | 1/2 | 1/4" | 48 | 15 | 240 |
| KADC1610 | 1/2 | 5/16" | 48 | 15 | 240 |

Impact Universal Joint (CR-MO) (DIN 3121) (ISO 1174) (ASME B107.110)



• Pin Hole Type



• Ball Type

- Provides 360 degrees of rotation at up to a 30 degree angle from vertical
- Metal ring improves torque bearing capacity, durability and safety

Black Phosphate Finished

| DRIVE | ITEM NO. | L (mm) | Dia (mm) | Type | Weight | Box Qty |
|---------------|----------|--------|----------|----------|--------|---------|
| 3/8" (10mm) | KACN120B | 48 | 23.8 | Ball | 15 | 240 |
| 1/2" (12.5mm) | KACN160B | 62 | 28.0 | Ball | 15 | 120 |
| 3/4" (20mm) | KACN161B | 64 | 31.0 | Ball | 15 | 120 |
| 1" (25mm) | KACN240P | 93 | 45.5 | Pin Hole | 4 | 40 |
| 1" (25mm) | KACN320P | 110 | 54.0 | Pin Hole | 1 | 8 |

Impact Universal Joint (CR-MO) (DIN 3121)



Black Phosphate Finished

| DRIVE | ITEM NO. | L (mm) | Weight | Box Qty |
|-----------|----------|--------|--------|---------|
| 1" (25mm) | KACU3212 | 114 | 1 | 8 |

3/4" DR. Star Bit Impact Sockets (CR-MO) (DIN 3121)



Black Phosphate Finished

| DRIVE | ITEM NO. | SIZE | L (mm) | Weight | Box Qty |
|-------|----------|------|--------|--------|---------|
| 3/4" | KADA2470 | T70 | 105 | 5 | 40 |
| 3/4" | KADA2480 | T80 | 105 | 5 | 40 |
| 3/4" | KADA2490 | T90 | 105 | 5 | 40 |
| 3/4" | KADA24A0 | T100 | 105 | 5 | 40 |

3/4" DR. Hex Bit Impact Sockets (CR-MO) (DIN 3121)



Black Phosphate Finished

| DRIVE | ITEM NO. | SIZE (mm) | L (mm) | Weight | Box Qty |
|-------|----------|-----------|--------|--------|---------|
| 3/4" | KADH2414 | 14 | 105 | 5 | 40 |
| 3/4" | KADH2417 | 17 | 105 | 5 | 40 |
| 3/4" | KADH2419 | 19 | 105 | 5 | 40 |
| 3/4" | KADH2422 | 22 | 105 | 5 | 40 |
| 3/4" | KADH2424 | 24 | 105 | 5 | 40 |
| 3/4" | KADH2427 | 27 | 105 | 5 | 40 |

7PCS 3/8" DR. Star Bit Impact Socket Rail Set



Black Phosphate Finished

| ITEM NO. | CONTENTS | Weight | Box Qty |
|----------|--|----------|---------|
| GDAG0703 | KADA1220-1250 T20, T25, T27, T30, T40, T45, T50 | 15 (SET) | |

7PCS 3/8" DR. Hex Bit Impact Socket Rail Set



Black Phosphate Finished

| ITEM NO. | CONTENTS | Weight | Box Qty |
|----------|---|----------|---------|
| GDAG0702 | KADH1204-1212 4, 5, 6, 7, 8, 10, 12 mm | 15 (SET) | |

Impact Universal Sockets (CR-MO) (DIN 3121)



Black Phosphate Finished

| DRIVE | ITEM NO. | SIZE (mm) | L (mm) | Weight | Box Qty |
|-------|----------|-----------|--------|--------|---------|
| 3/8" | KABG1210 | 10 | 59 | 15 | 120 |
| 3/8" | KABG1211 | 11 | 59 | 15 | 120 |
| 3/8" | KABG1212 | 12 | 59 | 15 | 120 |
| 3/8" | KABG1213 | 13 | 59 | 15 | 120 |
| 3/8" | KABG1214 | 14 | 59 | 15 | 120 |
| 3/8" | KABG1216 | 16 | 59 | 5 | 40 |
| 3/8" | KABG1217 | 17 | 59 | 5 | 40 |
| 3/8" | KABG1218 | 18 | 59 | 5 | 40 |
| 3/8" | KABG1219 | 19 | 59 | 5 | 40 |
| 3/8" | KABG1221 | 21 | 59 | 5 | 40 |
| 3/8" | KABG1222 | 22 | 59 | 5 | 40 |
| 1/2" | KABG1610 | 10 | 67 | 5 | 40 |
| 1/2" | KABG1611 | 11 | 67 | 5 | 40 |
| 1/2" | KABG1612 | 12 | 67 | 5 | 40 |
| 1/2" | KABG1614 | 14 | 67 | 5 | 40 |
| 1/2" | KABG1615 | 15 | 67 | 5 | 40 |
| 1/2" | KABG1616 | 16 | 67 | 5 | 40 |
| 1/2" | KABG1618 | 18 | 67 | 5 | 40 |
| 1/2" | KABG1619 | 19 | 67 | 5 | 40 |
| 1/2" | KABG1621 | 21 | 67 | 5 | 40 |
| 1/2" | KABG1622 | 22 | 67 | 5 | 40 |

10PCS 3/8" DR. Impact Universal Socket Rail Set



Black Phosphate Finished

| ITEM NO. | CONTENTS | Weight | Box Qty |
|----------|--|----------|---------|
| GDAG1001 | KABG1210-1219 10, 11, 12, 13, 14, 15, 16, 17, 18, 19 mm | 10 (SET) | |

10PCS 1/2" DR. Impact Universal Socket Rail Set



Black Phosphate Finished

| ITEM NO. | CONTENTS | Weight | Box Qty |
|----------|--|---------|---------|
| GDAG1002 | KABG1610-1619 10, 11, 12, 13, 14, 15, 16, 17, 18, 19 mm | 8 (SET) | |

IMPACT UNIVERSAL SOCKETS

Impact Extension Bar

CR-MO DIN 3121



| DRIVE | ITEM NO. | L (inch) | Hand | Box |
|---------------|----------|----------|------|-----|
| 3/8" (10mm) | KACE1203 | 3 | 25 | 200 |
| | KACE1206 | 6 | 10 | 120 |
| 1/2" (12.5mm) | KACE1603 | 3 | 10 | 80 |
| | KACE1605 | 5 | 10 | 80 |
| 3/4" (20mm) | KACE2404 | 4 | 2 | 32 |
| | KACE2407 | 7 | 2 | 32 |
| 1" (25mm) | KACE2410 | 10 | 2 | 16 |
| | KACE2413 | 13 | 2 | 16 |
| 1" (25mm) | KACE3207 | 7 | 2 | 16 |
| | KACE3210 | 10 | 2 | 12 |
| 1" (25mm) | KACE3213 | 13 | 2 | 12 |

Impact Extension Bar with Quick Release

CR-MO DIN 3121



| DRIVE | ITEM NO. | L (inch) | Hand | Box |
|---------------|----------|----------|------|-----|
| 1/2" (12.5mm) | KACB1603 | 3 | 15 | 120 |
| | KACB1605 | 5 | 10 | 80 |
| | KACB1610 | 10 | 5 | 40 |
| 3/4" (20mm) | KACB2407 | 7 | 2 | 24 |
| | KACB2413 | 13 | 2 | 12 |
| 1" (25mm) | KACB3207 | 7 | 2 | 8 |
| | KACB3213 | 13 | 2 | 8 |

1/2" DR. Torque Extension Bar

CR-MO DIN 3121



(LENGTH: 195mm)

| ITEM NO. | CAPACITY | COLOR | Hand | Box |
|----------|--------------------|-------|------|-----|
| KACT1612 | 120 ft-lb / 160 Nm | Gray | 10 | 80 |
| KACT1613 | 130 ft-lb / 175 Nm | Brown | 10 | 60 |
| KACT1614 | 140 ft-lb / 190 Nm | White | 10 | 60 |
| KACT1615 | 150 ft-lb / 200 Nm | Aqua | 10 | 60 |

Impact Adapter

Pin Hole Type

CR-MO DIN 3121



| DRIVE | ITEM NO. | SIZE | L (mm) | Hand | Box |
|-----------|----------|-----------------------|--------|------|-----|
| 1" (25mm) | KACP3248 | 1"(F) x 1-1/2"(M) | 90 | 2 | 16 |
| | KACP4880 | 1-1/2"(F) x 2-1/2"(M) | 120 | 2 | 4 |

Impact Adapter

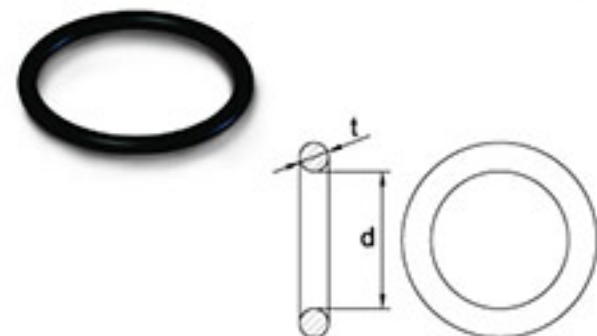
CR-MO DIN 3121



| DRIVE | ITEM NO. | SIZE | L (mm) | Hand | Box |
|---------------|----------|-------------------|--------|------|-----|
| 3/8" (10mm) | KACA1208 | 3/8"(F) x 1/4"(M) | 25 | 20 | 360 |
| | KACA1216 | 3/8"(F) x 1/2"(M) | 33 | 10 | 180 |
| 1/2" (12.5mm) | KACA1612 | 1/2"(F) x 3/8"(M) | 36 | 20 | 160 |
| | KACA1624 | 1/2"(F) x 3/4"(M) | 44 | 20 | 160 |
| 3/4" (20mm) | KACA2416 | 3/4"(F) x 1/2"(M) | 58 | 5 | 50 |
| | KACA2432 | 3/4"(F) x 1"(M) | 58 | 5 | 50 |
| 1" (25mm) | KACA3224 | 1"(F) x 3/4"(M) | 70 | 2 | 16 |
| | KACA4832 | 1-1/2"(F) x 1"(M) | 100 | 2 | 8 |

O-Ring

DIN 3129



| DRIVE | ITEM NO. | SIZE (mm) | d (mm) | t (mm) | Hand | Box |
|---------------|----------|-----------|--------|--------|------|-----|
| 3/8" (10mm) | KALO1212 | 8-12 | 13 | 3.5 | 50 | 800 |
| | KALO1222 | 13-22 | 16 | 3.5 | 50 | 800 |
| 1/2" (12.5mm) | KALO1614 | 8-14 | 19 | 4 | 50 | 400 |
| | KALO1632 | 15-32 | 24 | 4 | 50 | 400 |
| 3/4" (20mm) | KALO2446 | 17-46 | 36 | 5 | 50 | 400 |
| | KALO3270 | 19-80 | 45 | 7 | 50 | 200 |
| 1" (25mm) | KALO4895 | 85-95 | 76 | 10 | 20 | 80 |
| | KALO4895 | 36-90 | | | | |

Pin

DIN 3129



| DRIVE | ITEM NO. | SIZE (mm) | L (mm) | D (mm) | Hand | Box |
|---------------|----------|-----------|--------|--------|------|-----|
| 3/8" (10mm) | KALP1212 | 8-12 | 14 | 2.5 | 50 | 900 |
| | KALP1222 | 13-22 | 16 | 2.5 | 50 | 900 |
| 1/2" (12.5mm) | KALP1614 | 8-14 | 20 | 3 | 50 | 900 |
| | KALP1632 | 15-32 | 25 | 3 | 50 | 900 |
| 3/4" (20mm) | KALP2446 | 17-46 | 35 | 4 | 50 | 900 |
| | KALP3270 | 19-80 | 45 | 5 | 50 | 900 |
| 1" (25mm) | KALP4895 | 85-95 | 75 | 6 | 20 | 360 |
| | KALP4895 | 36-90 | | | | |



Pro-Series Thin Wall Deep Impact Sockets with Plastic Sleeves

CR-MO DIN 3121 ISO 1174 ASME B107.110

- Made of Chrome Molybdenum Steel
- Deep thin wall allows easy access to recessed wheel nuts
- A protective metal ring design to ensure long-term use; Lifespan up to three times longer than standard impact sockets
- Color coding protection sleeves for easy size identification and protect the rims and aluminum alloy from scratches
- Resin cap insert protect lug nuts and bolts to against impact damage
- Torque tested up to 500 Nm



Metal ring design improves torque bearing capacity



| DRIVE | ITEM NO. | SIZE (mm) | L (mm) | COLOR | Hand | Box |
|-------------------|----------|-----------|--------|--------|------|-----|
| 1/2" (12.5mm sq.) | KABP1615 | 15 | 86 | Purple | 20 | 80 |
| | KABP1617 | 17 | 86 | Blue | 20 | 80 |
| | KABP1619 | 19 | 86 | Yellow | 20 | 80 |
| | KABP1621 | 21 | 86 | Red | 20 | 80 |
| | KABP1622 | 22 | 86 | Green | 20 | 80 |

1/2" DR. 6PT Flank Thin Wall Deep Impact Sockets with Plastic Sleeves

CR-MO DIN 3121



| DRIVE | ITEM NO. | SIZE (inch) | L (mm) | COLOR | Hand | Box |
|-------------------|----------|-------------|--------|-------|------|-----|
| 1/2" (12.5mm sq.) | KBBC1626 | 13/16 | 86 | White | 20 | 80 |

1/2" DR. 6PT Flank Extra Long Thin Wall Deep Impact Sockets with Plastic Sleeves

CR-MO DIN 3121



| DRIVE | ITEM NO. | SIZE (mm) | L (mm) | COLOR | Hand | Box |
|-------------------|----------|-----------|--------|-------|------|-----|
| 1/2" (12.5mm sq.) | KABL1617 | 17 | 150 | Blue | 5 | 40 |
| | KABL1619 | 19 | 150 | Green | 5 | 40 |
| | KABL1621 | 21 | 150 | Red | 5 | 40 |

3PCS

1/2" DR. 6PT Flank Pro-Series Thin Wall Deep Impact Socket Set

CR-MO

1/2"



Blister

| ITEM NO. | GDAS0301 | Hand | Box |
|--|----------|----------|-----|
| CONTENTS | | 10 (SET) | |
| 3 KABP1617-1621 | | | |
| 1/2" Dr. 6PT Flank Pro-Series Thin Wall Deep Impact Sockets with Plastic Sleeves 17, 19, 21 mm | | | |

5PCS

1/2" DR. 6PT Flank Pro-Series Thin Wall Deep Impact Socket Set

CR-MO

1/2"



| ITEM NO. | GDAI0503 | Hand | Box |
|--|----------|----------|-----|
| CONTENTS | | 10 (SET) | |
| 5 KABP1615-1622 | | | |
| 1/2" Dr. 6PT Flank Pro-Series Thin Wall Deep Impact Sockets with Plastic Sleeves 15, 17, 19, 21, 22 mm | | | |
| BLOW CASE: W172 x D126 x H50 (mm) | | | |

3PCS

1/2" DR. 6PT Flank Extra Long Thin Wall Deep Impact Socket Set

CR-MO

1/2"



| ITEM NO. | GDAI0304 | Hand | Box |
|--|----------|----------|-----|
| CONTENTS | | 10 (SET) | |
| 3 KABP1617-1621 | | | |
| 1/2" Dr. 6PT Flank Extra Long Thin Wall Deep Impact Sockets with Plastic Sleeves 17, 19, 21 mm | | | |
| BLOW CASE: W172 x D126 x H50 (mm) | | | |





TOPTUL
IMPACT SOCKET SET

27PCS
1/2" DR. Flank Impact Socket Set (CR-MO)
1/2"



Black Phosphate Finished
ITEM NO. **GCAI2701** 4 (SET)
CONTENTS
17 **KABA1610-1632**
1/2" Dr. 6PT Flank Impact Sockets
10, 11, 12, 13, 14, 15, 16, 17, 18, 19, 21, 22, 23, 24,
27, 30, 32 mm
1 **KACE1605**
1/2" Dr. Impact Extension Bar - 5" (L)
1 **KACN160B**
1/2" Dr. Impact Universal Joint
2 **KALP1614**
Pin - Size (8-14 mm)
2 **KALP1632**
Pin - Size (15-32 mm)
2 **KALO1614**
O-Ring - Size (8-14 mm)
2 **KALO1632**
O-Ring - Size (15-32 mm)
BLOW CASE: W392 x D210 x H88 (mm)

7PCS
3/8" DR. Hex Bit Impact Socket Set (SNCM+V)
3/8"



Black Phosphate Finished
ITEM NO. **GDAI0704** 12 (SET)
CONTENTS
7 **KADH1204-1212**
3/8" Dr. Hex Bit Impact Sockets
4, 5, 6, 7, 8, 10, 12 mm
BLOW CASE: W200 x D105 x H35 (mm)

7PCS
3/8" DR. Star Bit Impact Socket Set (SNCM+V)
3/8"



Black Phosphate Finished
ITEM NO. **GDAI0703** 12 (SET)
CONTENTS
7 **KADA1220-1250**
3/8" Dr. Star Bit Impact Sockets
T20, T25, T27, T30, T40, T45, T50
BLOW CASE: W200 x D105 x H35 (mm)

7PCS
1/2" DR. Hex Bit Impact Socket Set (SNCM+V)
1/2"



Black Phosphate Finished
ITEM NO. **GDAI0702** 18 (SET)
CONTENTS
7 **KADH1604-1614**
1/2" Dr. Hex Bit Impact Sockets
4, 5, 6, 8, 10, 12, 14 mm
BLOW CASE: W250 x D120 x H40 (mm)

7PCS
1/2" DR. Star Bit Impact Socket Set (SNCM+V)
1/2"



Black Phosphate Finished
ITEM NO. **GDAI0701** 18 (SET)
CONTENTS
7 **KADA1630-1670**
1/2" Dr. Star Bit Impact Sockets
T30, T40, T45, T50, T55, T60, T70
BLOW CASE: W250 x D120 x H40 (mm)

8PCS
3/4" DR. 6PT Flank Impact Socket Set (CR-MO)
3/4"



Black Phosphate Finished
ITEM NO. **GDAI0802** 3 (SET)
CONTENTS
8 **KABA2422-2438**
3/4" Dr. 6PT Flank Impact Sockets
22, 24, 27, 30, 32, 33, 36, 38 mm
BLOW CASE: W452 x D119 x H64 (mm)

8PCS
3/4" DR. 6PT Flank Deep Impact Socket Set (CR-MO)
3/4"



Black Phosphate Finished
ITEM NO. **GDAI0804** 3 (SET)
CONTENTS
8 **KABE2422-2438**
3/4" Dr. 6PT Flank Deep Impact Sockets
22, 24, 27, 30, 32, 33, 36, 38 mm
BLOW CASE: W452 x D119 x H64 (mm)

8PCS
3/8" DR. 6PT Flank Deep Impact Socket Set (CR-MO)
3/8"



Black Phosphate Finished
ITEM NO. **GDAD0808** 10 (SET)
CONTENTS
8 **KABE1208-1219**
3/8" Dr. 6PT Flank Deep Impact Sockets
8, 10, 11, 12, 13, 14, 17, 19 mm
METAL CASE: W197 x D103 x H33 (mm)

10PCS
1/2" DR. 6PT Flank Impact Socket Set (METRIC) (CR-MO)
1/2"



Black Phosphate Finished
ITEM NO. **GDAD1001** 16 (SET)
CONTENTS
10 **KABA1610-1624**
1/2" Dr. 6PT Flank Impact Sockets
10, 11, 12, 13, 14, 17, 19, 21, 22, 24 mm
METAL CASE: W303 x D45 x H47 (mm)

10PCS
1/2" DR. 6PT Flank Impact Socket Set (SAE) (CR-MO)
1/2"



Black Phosphate Finished
ITEM NO. **GEAD1001** 16 (SET)
CONTENTS
10 **KBBA1614-1632**
1/2" Dr. 6PT Flank Impact Sockets
7/16", 1/2", 9/16", 5/8", 11/16", 3/4", 13/16", 7/8",
15/16", 1"
METAL CASE: W303 x D45 x H47 (mm)

12PCS
3/8" DR. 6PT Flank Deep Impact Socket Set (CR-MO)
3/8"



Black Phosphate Finished
ITEM NO. **GDAD1201** 8 (SET)
CONTENTS
12 **KABE1208-1219**
3/8" Dr. 6PT Flank Deep Impact Sockets
8, 9, 10, 11, 12, 13, 14, 15, 16, 17, 18, 19 mm
METAL CASE: W313 x D111 x H38 (mm)

10PCS
1/2" DR. 6PT Flank Deep Impact Socket Set (METRIC) (CR-MO)
1/2"



Black Phosphate Finished
ITEM NO. **GDAD1002** 8 (SET)
CONTENTS
10 **KABE1610-1624**
1/2" Dr. 6PT Flank Deep Impact Sockets
10, 11, 12, 13, 14, 17, 19, 21, 22, 24 mm
METAL CASE: W313 x D111 x H38 (mm)

10PCS
1/2" DR. 6PT Flank Deep Impact Socket Set (SAE) (CR-MO)
1/2"



Black Phosphate Finished
ITEM NO. **GEAD1002** 8 (SET)
CONTENTS
10 **KBBE1614-1632**
1/2" Dr. 6PT Flank Deep Impact Sockets
7/16", 1/2", 9/16", 5/8", 11/16", 3/4", 13/16", 7/8",
15/16", 1"
METAL CASE: W313 x D111 x H38 (mm)



18PCS
1/2" DR. 6PT Flank Impact Socket Set (CR-MO)
1/2"



Black Phosphate Finished
ITEM NO. **GCAD1807** 6 (SET)
CONTENTS
17 **KABA1610-1632**
1/2" Dr. 6PT Flank Impact Sockets
10, 11, 12, 13, 14, 15, 16, 17, 18, 19, 21, 22, 23, 24,
27, 30, 32 mm
1 **KACE1605**
1/2" Dr. Impact Extension Bar - 5" (L)
METAL CASE: W370 x D154 x H50 (mm)

32PCS
1/2" DR. Flank Impact Socket Set (CR-MO)
1/2"



Black Phosphate Finished
ITEM NO. **GDAD3201** 3 (SET)
CONTENTS
18 **KABA1608-1632**
1/2" Dr. 6PT Flank Impact Sockets
8, 9, 10, 11, 12, 13, 14, 15, 16, 17, 18, 19, 21, 22,
24, 27, 30, 32 mm
12 **KABE1612-1632**
1/2" Dr. 6PT Flank Deep Impact Sockets
12, 13, 14, 16, 17, 19, 21, 22, 24, 27, 30, 32 mm
1 **KACE1605**
1/2" Dr. Impact Extension Bar - 5" (L)
1 **KACN160B**
1/2" Dr. Impact Universal Joint
METAL CASE: W445 x D188 x H50 (mm)

15PCS
1/2" DR. 6PT Flank Impact Socket Set (CR-MO)
1/2"



Black Phosphate Finished
ITEM NO. **GDAD1501**
CONTENTS 6 (SET)
15 KABA1610-1624
1/2" Dr. 6PT Flank Impact Sockets
10, 11, 12, 13, 14, 15, 16, 17, 18, 19, 20, 21, 22,
23, 24 mm
METAL CASE: W240 x D110 x H50 (mm)

14PCS
1/2" DR. 6PT Flank Impact Socket Set (CR-MO)
1/2"



Black Phosphate Finished
ITEM NO. **GEAD1401**
CONTENTS 6 (SET)
14 KBBA1612-1640
1/2" Dr. 6PT Flank Impact Sockets
3/8", 7/16", 1/2", 9/16", 5/8", 11/16", 3/4", 13/16",
7/8", 15/16", 1", 1-1/16", 1-1/8", 1-1/4"
METAL CASE: W240 x D110 x H50 (mm)

9PCS
1" DR. Flank Impact Socket Set (CR-MO)
1"



Black Phosphate Finished
ITEM NO. **GDAD0901**
CONTENTS 3 (SET)
9 KABA3224-3241
1" Dr. 6PT Flank Impact Sockets
24, 27, 32, 36, 38, 41 mm
3 KABM3217-3221
1" Dr. Square Budd Wheel Impact Sockets (4PT)
17, 19, 21 mm
METAL CASE: W278 x D128 x H75 (mm)

8PCS
1" DR. 6PT Flank Impact Socket Set (CR-MO)
1"



Black Phosphate Finished
ITEM NO. **GDAD0803**
CONTENTS 3 (SET)
8 KABA3224-3241
1" Dr. 6PT Flank Impact Sockets
24, 27, 30, 32, 33, 36, 38, 41 mm
METAL CASE: W278 x D128 x H75 (mm)

8PCS
3/4" DR. 6PT Flank Impact Socket Set (CR-MO)
3/4"



Black Phosphate Finished
ITEM NO. **GDAD0805**
CONTENTS 4 (SET)
8 KABA2419-2436
3/4" Dr. 6PT Flank Impact Sockets
19, 22, 24, 27, 30, 32, 34, 36 mm
METAL CASE: W410 x D64 x H60 (mm)

8PCS
3/4" DR. 6PT Flank Impact Socket Set (CR-MO)
3/4"



Black Phosphate Finished
ITEM NO. **GDAD0801**
CONTENTS 4 (SET)
8 KABA2426-2438
3/4" Dr. 6PT Flank Impact Sockets
26, 27, 29, 30, 32, 35, 36, 38 mm
METAL CASE: W410 x D64 x H60 (mm)

8PCS
3/4" DR. 6PT Flank Impact Socket Set (CR-MO)
3/4"



Black Phosphate Finished
ITEM NO. **GDAD0806**
CONTENTS 4 (SET)
8 KABA2422-2441
3/4" Dr. 6PT Flank Impact Sockets
22, 24, 27, 30, 32, 36, 38, 41 mm
METAL CASE: W410 x D64 x H60 (mm)

8PCS
3/4" DR. 6PT Flank Deep Impact Socket Set (CR-MO)
3/4"



Black Phosphate Finished
ITEM NO. **GDAD0807**
CONTENTS 2 (SET)
8 KABE2422-2438
3/4" Dr. 6PT Flank Deep Impact Sockets
22, 24, 27, 30, 32, 34, 36, 38 mm
METAL CASE: W430 x D103 x H70 (mm)

8PCS
3/4" DR. 6PT Flank Deep Impact Socket Set (CR-MO)
3/4"



Black Phosphate Finished
ITEM NO. **GDAD0802**
CONTENTS 2 (SET)
8 KABE2426-2438
3/4" Dr. 6PT Flank Deep Impact Sockets
26, 27, 29, 30, 32, 35, 36, 38 mm
METAL CASE: W430 x D103 x H70 (mm)

8PCS
1" DR. 6PT Flank Deep Impact Socket Set (CR-MO)
1"



Black Phosphate Finished
ITEM NO. **GDAD0804**
CONTENTS 2 (SET)
8 KABE3224-3241
1" Dr. 6PT Flank Deep Impact Sockets
24, 27, 30, 32, 33, 36, 38, 41 mm
METAL CASE: W460 x D128 x H80 (mm)

Super Duty Air Ratchet Wrench



1/4" DR.
Mini Super Duty Air Ratchet Wrench
• Rear Exhaust with Muffler



| ITEM NO. | KAAE0802 | 20 |
|-----------------|---------------------|----|
| SPECIFICATIONS | | |
| Max. Torque | 30 ft-lb / 41 Nm | |
| Free Speed | 350 RPM | |
| Air Pressure | 90 PSI / 6.2 BAR | |
| Air Consumption | 2.24 CFM | |
| Air Inlet | 1/4" PT | |
| Min. Air Hose | 5/16" I.D. | |
| Overall Length | 5-7/64" / 130 mm | |
| Net Weight | 0.99 lbs / 0.45 kgs | |

3/8" DR.
Mini Super Duty Air Impact Ratchet Wrench
• Impact Mechanism : Unicorn Hammer
• Rear Exhaust with Muffler



| ITEM NO. | KAAP1205 | 30 |
|-----------------|--------------------|----|
| SPECIFICATIONS | | |
| Max. Torque | 50 ft-lb / 68 Nm | |
| Free Speed | 700 RPM | |
| Air Pressure | 90 PSI / 6.2 BAR | |
| Air Consumption | 3.1 CFM | |
| Air Inlet | 1/4" PT | |
| Min. Air Hose | 3/8" I.D. | |
| Overall Length | 6-1/2" / 164 mm | |
| Net Weight | 1.32 lbs / 0.6 kgs | |

3/8" DR.
Mini Super Duty Air Ratchet Wrench
• Rear Exhaust with Muffler



| ITEM NO. | KAAE1202 | 20 |
|-----------------|---------------------|----|
| SPECIFICATIONS | | |
| Max. Torque | 30 ft-lb / 41 Nm | |
| Free Speed | 350 RPM | |
| Air Pressure | 90 PSI / 6.2 BAR | |
| Air Consumption | 2.24 CFM | |
| Air Inlet | 1/4" PT | |
| Min. Air Hose | 5/16" I.D. | |
| Overall Length | 5-7/64" / 130 mm | |
| Net Weight | 0.99 lbs / 0.45 kgs | |

3/8" DR.
Super Duty Air Ratchet Wrench
• Rear Exhaust with Muffler



| ITEM NO. | KAAF1205 | 10 |
|-----------------|--------------------|----|
| SPECIFICATIONS | | |
| Max. Torque | 75 ft-lb / 102 Nm | |
| Free Speed | 160 RPM | |
| Air Pressure | 90 PSI / 6.2 BAR | |
| Air Consumption | 3.92 CFM | |
| Air Inlet | 1/4" PT | |
| Min. Air Hose | 5/16" I.D. | |
| Overall Length | 10-1/2" / 266 mm | |
| Net Weight | 2.64 lbs / 1.2 kgs | |

3/8" DR.
Mini Super Duty Air Impact Wrench
• Handle Exhaust with Muffler



| ITEM NO. | KAAG1206 | 12 |
|-----------------|---------------------|----|
| SPECIFICATIONS | | |
| Max. Torque | 60 ft-lb / 81 Nm | |
| Free Speed | 11000 RPM | |
| Air Pressure | 90 PSI / 6.2 BAR | |
| Air Consumption | 1.76 CFM | |
| Air Inlet | 1/4" PT | |
| Min. Air Hose | 3/8" I.D. | |
| Overall Length | 5-29/32" / 150 mm | |
| Net Weight | 1.56 lbs / 0.71 kgs | |

1/2" DR.
Super Duty Air Ratchet Wrench
• Rear Exhaust with Muffler



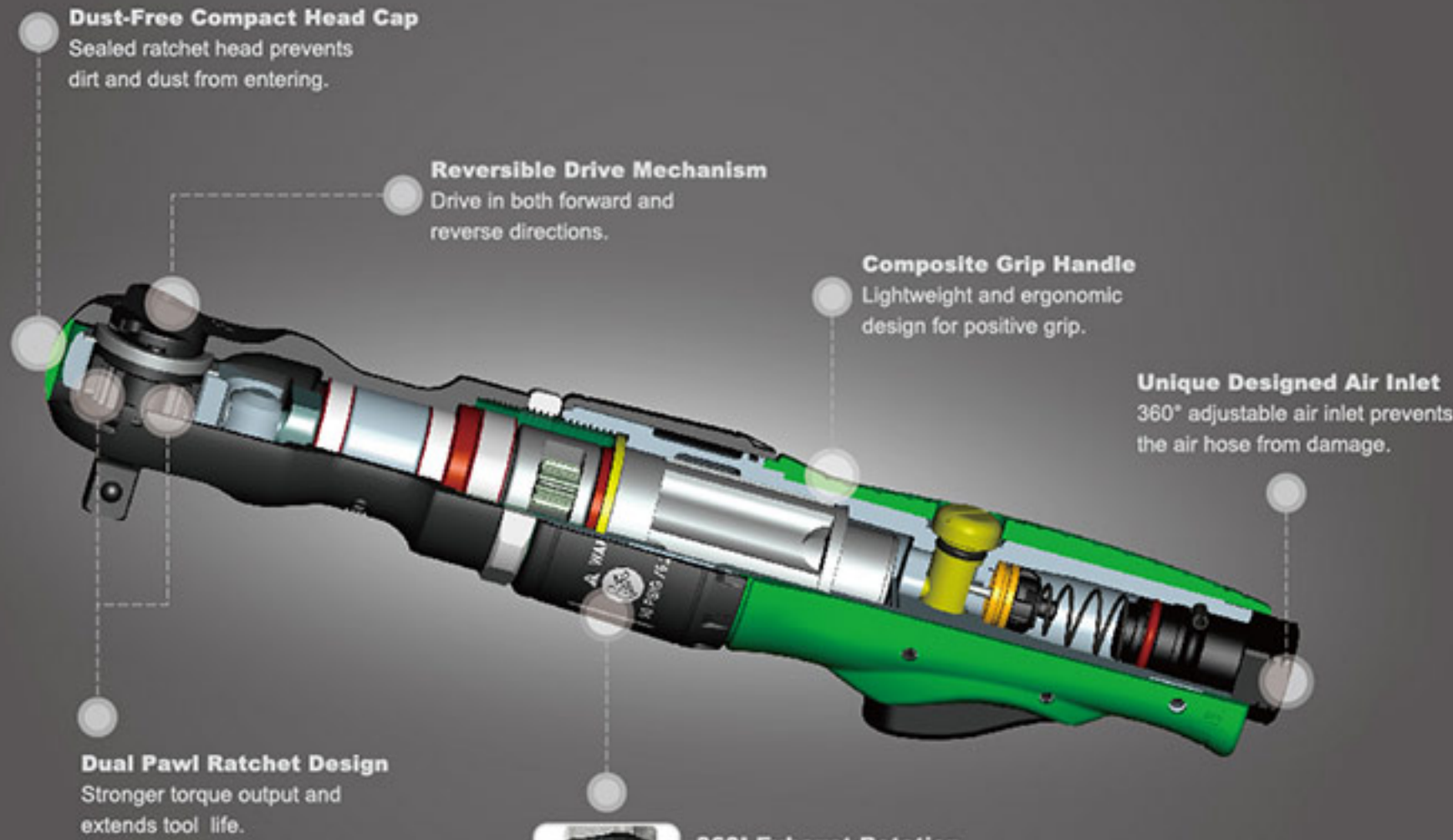
| ITEM NO. | KAAF1605 | 10 |
|-----------------|--------------------|----|
| SPECIFICATIONS | | |
| Max. Torque | 75 ft-lb / 102 Nm | |
| Free Speed | 160 RPM | |
| Air Pressure | 90 PSI / 6.2 BAR | |
| Air Consumption | 3.92 CFM | |
| Air Inlet | 1/4" PT | |
| Min. Air Hose | 5/16" I.D. | |
| Overall Length | 10-1/2" / 266 mm | |
| Net Weight | 2.64 lbs / 1.2 kgs | |

TOPTUL®

Super Duty Air Ratchet Wrench

- Rotary Exhaust with Muffler

High-performance



Dust-Free Compact Head Cap
Sealed ratchet head prevents dirt and dust from entering.

Reversible Drive Mechanism
Drive in both forward and reverse directions.

Composite Grip Handle
Lightweight and ergonomic design for positive grip.

Unique Designed Air Inlet
360° adjustable air inlet prevents the air hose from damage.

Dual Pawl Ratchet Design
Stronger torque output and extends tool life.

360° Exhaust Rotation
Convenient to direct the air away from working area.



3/8" DR.
Super Duty Air Ratchet Wrench
• Rear Exhaust with Muffler



| ITEM NO. | KAAF1204 | ⊞ 30 |
|-----------------------|---------------------|------|
| SPECIFICATIONS | | |
| Max. Torque | 40 ft-lb / 54 Nm | |
| Free Speed | 270 RPM | |
| Air Pressure | 90 PSI / 6.2 BAR | |
| Air Consumption | 2.8 CFM | |
| Air Inlet | 1/4" PT | |
| Min. Air Hose | 3/8" I.D. | |
| Overall Length | 8-1/16" / 205 mm | |
| Net Weight | 1.45 lbs / 0.66 kgs | |

1/2" DR.
Super Duty Air Ratchet Wrench
• Rotary Exhaust with Muffler



| ITEM NO. | KAAF1608 | ⊞ 12 |
|-----------------------|--------------------|------|
| SPECIFICATIONS | | |
| Max. Torque | 80 ft-lb / 108 Nm | |
| Free Speed | 280 RPM | |
| Air Pressure | 90 PSI / 6.2 BAR | |
| Air Consumption | 4 CFM | |
| Air Inlet | 1/4" PT | |
| Min. Air Hose | 3/8" I.D. | |
| Overall Length | 10-29/32" / 277 mm | |
| Net Weight | 2.7 lbs / 1.23 kgs | |

1/2" DR.
Super Duty Air Ratchet Wrench
• Rotary Exhaust with Muffler

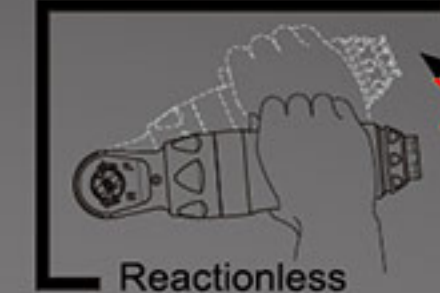


| ITEM NO. | KAAF1610 | ⊞ 12 |
|-----------------------|---------------------|------|
| SPECIFICATIONS | | |
| Max. Torque | 100 ft-lb / 136 Nm | |
| Free Speed | 225 RPM | |
| Air Pressure | 90 PSI / 6.2 BAR | |
| Air Consumption | 4 CFM | |
| Air Inlet | 1/4" PT | |
| Min. Air Hose | 3/8" I.D. | |
| Overall Length | 12-13/32" / 315 mm | |
| Net Weight | 3.39 lbs / 1.54 kgs | |

TOPTUL®

Super Duty Air Impact Ratchet Wrench

- Impact Mechanism : Unicorn Hammer
- Front Exhaust with Muffler



When bolts are tightened, the ratchet remains in the same position, sway forward occurs.



Dust-Free Compact Head Cap
Sealed ratchet head prevents dirt and dust from entering.

Reversible Drive Mechanism
Drive in both forward and reverse directions.

Dual Pawl Ratchet Design
Stronger torque output and extends tool life.

Unicorn Hammer Impact Mechanism
New Impact-Type mechanism design provides high instant torque output.

Composite Grip Handle
Lightweight and ergonomic design for positive grip.

Unique Designed Air Inlet
360° adjustable air inlet prevents the air hose from damage.

High R.P.M. design enables ratchet to shorten 2 x operating time for reaching high instant torque.

KAAL1610
1/2" DR.



100 FT-LBS

• Powerful & High R.P.M. - type ★

| ITEM NO. | KAAL1610 | ⊞ 12 |
|-----------------------|--------------------|------|
| SPECIFICATIONS | | |
| Max. Torque | 100 ft-lb / 136 Nm | |
| Free Speed | 600 RPM | |
| Air Pressure | 90 PSI / 6.2 BAR | |
| Air Consumption | 4 CFM | |
| Air Inlet | 1/4" PT | |
| Min. Air Hose | 3/8" I.D. | |
| Overall Length | 11-7/8" / 301 mm | |
| Net Weight | 3.97 lbs / 1.8 kgs | |

KAAL1612
1/2" DR.



120 FT-LBS

• Powerful & High R.P.M. - type ★

| ITEM NO. | KAAL1612 | ⊞ 10 |
|-----------------------|---------------------|------|
| SPECIFICATIONS | | |
| Max. Torque | 120 ft-lb / 163 Nm | |
| Free Speed | 600 RPM | |
| Air Pressure | 90 PSI / 6.2 BAR | |
| Air Consumption | 4.2 CFM | |
| Air Inlet | 1/4" PT | |
| Min. Air Hose | 3/8" I.D. | |
| Overall Length | 13-3/4" / 350 mm | |
| Net Weight | 4.14 lbs / 1.88 kgs | |

Super Duty Air Impact Wrench



EXCLUSIVE & UNIQUE PRODUCT

*Ideal for
Automotive & Industrial*

TOPTUL®

- Impact Mechanism : Jumbo Hammer
- Handle Exhaust with Muffler

KAAX1235

3/8" DR.



**350
FT-LBS**

| ITEM NO. | KAAX1235 | 10 |
|-----------------------|--------------------|----|
| SPECIFICATIONS | | |
| Max. Torque | 350 ft-lb / 475 Nm | |
| Free Speed | 8000 RPM | |
| Air Pressure | 90 PSI / 6.2 BAR | |
| Air Consumption | 4.5 CFM | |
| Air Inlet | 1/4" PT | |
| Min. Air Hose | 3/8" I.D. | |
| Overall Length | 5-5/16" / 135 mm | |
| Net Weight | 3.96 lbs / 1.8 kgs | |

- Impact Mechanism : Twin Hammer
- Handle Exhaust with Muffler

KAAX1650

1/2" DR.



**500
FT-LBS**

| ITEM NO. | KAAX1650 | 10 |
|-----------------------|--------------------|----|
| SPECIFICATIONS | | |
| Max. Torque | 500 ft-lb / 678 Nm | |
| Free Speed | 10000 RPM | |
| Air Pressure | 90 PSI / 6.2 BAR | |
| Air Consumption | 5.6 CFM | |
| Air Inlet | 1/4" PT | |
| Min. Air Hose | 3/8" I.D. | |
| Overall Length | 5-45/64" / 145 mm | |
| Net Weight | 4.18 lbs / 1.9 kgs | |

- Impact Mechanism : Twin Hammer
- Handle Exhaust with Muffler

KAAX1660

1/2" DR.



**600
FT-LBS**

| ITEM NO. | KAAX1660 | 8 |
|-----------------------|---------------------|---|
| SPECIFICATIONS | | |
| Max. Torque | 600 ft-lb / 813 Nm | |
| Free Speed | 10000 RPM | |
| Air Pressure | 90 PSI / 6.2 BAR | |
| Air Consumption | 5.6 CFM | |
| Air Inlet | 1/4" PT | |
| Min. Air Hose | 3/8" I.D. | |
| Overall Length | 6-3/4" / 171 mm | |
| Net Weight | 4.23 lbs / 1.92 kgs | |

TOPTUL®

Super Duty Air Impact Wrench

- Impact Mechanism : Jumbo Hammer
- Handle Exhaust with Muffler

High-performance

Short Barrel Model
Easier to operate in confined spaces.

Durable & Long Life Anvil
High quality material made durable anvil with special heat treatment.

Jumbo Hammer Impact Mechanism
Super duty designed impact mechanism extends and ensures maximum tool life.

End Cap Slider Guide Trigger
Easy operation design.

Air Regulator
3-position power setting for both forward and reverse directions.

One-Hand Switch Knob (Changeable Type)
F/R operation design with changeable knob and suitable for both left and right handed users.

Unique Designed Air Inlet
360 adjustable air inlet prevents the hose from damage.

Handle Exhaust with Muffler
Reduces noise level and discharge air away from working area.

KAAR1650



500 FT-LBS

1/2" DR.

• **Powerful, Lightweight & Short Barrel Model**

| ITEM NO. | KAAR1650 | 10 |
|-----------------------|---------------------|----|
| SPECIFICATIONS | | |
| Max. Torque | 500 ft-lb / 678 Nm | |
| Free Speed | 9500 RPM | |
| Air Pressure | 90 PSI / 6.2 BAR | |
| Air Consumption | 5 CFM | |
| Air Inlet | 1/4" PT | |
| Min. Air Hose | 3/8" I.D. | |
| Overall Length | 4-5/16" / 109 mm | |
| Net Weight | 2.92 lbs / 1.32 kgs | |

TOPTUL®

Super Duty Air Impact Wrench

- Impact Mechanism : Jumbo Hammer
- Handle Exhaust with Muffler

High-performance

Super Short Barrel Model
Easier to operate in confined spaces.

Durable & Long Life Anvil
High quality material made durable anvil with special heat treatment.

Jumbo Hammer Impact Mechanism
Super duty designed impact mechanism extends and ensures maximum tool life.

End Cap Slider Guide Trigger
Easy operation design.

Air Regulator
4-position power setting.
Forward: 3 speed
Reverse: 1 speed

Improved Air Inlet
Effectively reduces the damage of thread.

Handle Exhaust with Muffler
Reduces noise level and discharge air away from working area.

KAAQ1650



500 FT-LBS


1/2" DR.

• **Powerful, Lightweight & Super Short Barrel Model**

| ITEM NO. | KAAQ1650 | 12 |
|-----------------------|---------------------|----|
| SPECIFICATIONS | | |
| Max. Torque | 500 ft-lb / 678 Nm | |
| Free Speed | 9500 RPM | |
| Air Pressure | 90 PSI / 6.2 BAR | |
| Air Consumption | 4.7 CFM | |
| Air Inlet | 1/4" PT | |
| Min. Air Hose | 3/8" I.D. | |
| Overall Length | 3-13/16" / 97 mm | |
| Net Weight | 3.64 lbs / 1.65 kgs | |


3/8" DR.
Super Duty Air Impact Wrench
• Impact Mechanism : Jumbo Hammer
• Handle Exhaust with Muffler



| ITEM NO. | KAAA1220 |
|--|---------------------|
| SPECIFICATIONS  10 | |
| Max. Torque | 200 ft-lb / 271 Nm |
| Free Speed | 10000 RPM |
| Air Pressure | 90 PSI / 6.2 BAR |
| Air Consumption | 2.5 CFM |
| Air Inlet | 1/4" PT |
| Min. Air Hose | 3/8" I.D. |
| Overall Length | 5-1/2" / 139 mm |
| Net Weight | 3.00 lbs / 1.36 kgs |

1/2" DR.
Super Duty Air Impact Wrench
• Impact Mechanism : Jumbo Hammer
• Handle Exhaust with Muffler




| ITEM NO. | KAAA1620 |
|--|---------------------|
| SPECIFICATIONS  10 | |
| Max. Torque | 200 ft-lb / 271 Nm |
| Free Speed | 10000 RPM |
| Air Pressure | 90 PSI / 6.2 BAR |
| Air Consumption | 2.5 CFM |
| Air Inlet | 1/4" PT |
| Min. Air Hose | 3/8" I.D. |
| Overall Length | 5-1/2" / 139 mm |
| Net Weight | 3.00 lbs / 1.36 kgs |

1/2" DR.
Super Duty Air Impact Wrench
• Impact Mechanism : Twin Hammer
• Front Exhaust



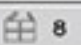
• 5-Position Forward & Reverse Power Setting

| ITEM NO. | KAAA1650B |
|---|---------------------|
| SPECIFICATIONS  8 | |
| Max. Torque | 500 ft-lb / 678 Nm |
| Free Speed | 8000 RPM |
| Air Pressure | 90 PSI / 6.2 BAR |
| Air Consumption | 4 CFM |
| Air Inlet | 1/4" PT |
| Min. Air Hose | 3/8" I.D. |
| Overall Length | 7-5/64" / 180 mm |
| Net Weight | 5.73 lbs / 2.60 kgs |



1/2" DR.
Super Duty Air Impact Wrench
• Impact Mechanism : New Twin Hammer
• Handle Exhaust with Muffler

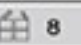


| ITEM NO. | KAAA1660 |
|---|---------------------|
| SPECIFICATIONS  8 | |
| Max. Torque | 700 ft-lb / 949 Nm |
| Free Speed | 6500 RPM |
| Air Pressure | 90 PSI / 6.2 BAR |
| Air Consumption | 4.4 CFM |
| Air Inlet | 1/4" PT |
| Min. Air Hose | 3/8" I.D. |
| Overall Length | 7-1/2" / 191 mm |
| Net Weight | 6.24 lbs / 2.83 kgs |

1/2" DR.
Super Duty Air Impact Wrench
• Impact Mechanism : Twin Hammer
• Front Exhaust



• 5-Position Forward & Reverse Power Setting

| ITEM NO. | KAAA1660B |
|---|---------------------|
| SPECIFICATIONS  8 | |
| Max. Torque | 600 ft-lb / 813 Nm |
| Free Speed | 8000 RPM |
| Air Pressure | 90 PSI / 6.2 BAR |
| Air Consumption | 4 CFM |
| Air Inlet | 1/4" PT |
| Min. Air Hose | 3/8" I.D. |
| Overall Length | 7-13/32" / 188 mm |
| Net Weight | 5.73 lbs / 2.60 kgs |

Super Duty Air Impact Wrench

High-performance


- Impact Mechanism : Twin Hammer
- Handle Exhaust with Muffler



KAAA1640

1/2" DR.



| ITEM NO. | KAAA1640 |
|---|---------------------|
| SPECIFICATIONS  8 | |
| Max. Torque | 600 ft-lb / 813 Nm |
| Free Speed | 8000 RPM |
| Air Pressure | 90 PSI / 6.2 BAR |
| Air Consumption | 4 CFM |
| Air Inlet | 1/4" PT |
| Min. Air Hose | 3/8" I.D. |
| Overall Length | 7-1/2" / 191 mm |
| Net Weight | 5.78 lbs / 2.62 kgs |

AIR TOPTUL Impact Wrench

For Automotive Repairs & Maintenance



Manufacturer's Limited Warranty

All AIR TOPTUL Serial pneumatic tools are provided with complete service and product warranty to the product that manufactured by TOPTUL and sold by it's worldwide authorized dealers.

TOPTUL professional air tools, unless otherwise specified, are unconditionally guaranteed against defects in materials and workmanship for the life of the tool, excluding any other inappropriate operation, modification or repair.

1/2" DR.
Long Anvil Super Duty Air Impact Wrench
• Impact Mechanism : Twin Hammer
• Handle Exhaust with Muffler



| ITEM NO. | KAAB1640 |
|-----------------------|---------------------|
| SPECIFICATIONS | |
| Max. Torque | 400 ft-lb / 542 Nm |
| Free Speed | 8000 RPM |
| Air Pressure | 90 PSI / 6.2 BAR |
| Air Consumption | 4 CFM |
| Air Inlet | 1/4" PT |
| Min. Air Hose | 3/8" I.D. |
| Overall Length | 9-17/32" / 242 mm |
| Net Weight | 6.02 lbs / 2.73 kgs |

1/2" DR.
Long Anvil Super Duty Air Impact Wrench
• Impact Mechanism : New Twin Hammer
• Handle Exhaust with Muffler



| ITEM NO. | KAAB1660 |
|-----------------------|---------------------|
| SPECIFICATIONS | |
| Max. Torque | 600 ft-lb / 813 Nm |
| Free Speed | 6500 RPM |
| Air Pressure | 90 PSI / 6.2 BAR |
| Air Consumption | 4.4 CFM |
| Air Inlet | 1/4" PT |
| Min. Air Hose | 3/8" I.D. |
| Overall Length | 9-11/16" / 246 mm |
| Net Weight | 6.50 lbs / 2.95 kgs |

3/4" DR.
Super Duty Air Impact Wrench
• Impact Mechanism : New Twin Hammer
• Handle Exhaust with Muffler



| ITEM NO. | KAAA2460 |
|-----------------------|---------------------|
| SPECIFICATIONS | |
| Max. Torque | 600 ft-lb / 813 Nm |
| Free Speed | 6300 RPM |
| Air Pressure | 90 PSI / 6.2 BAR |
| Air Consumption | 4.4 CFM |
| Air Inlet | 1/4" PT |
| Min. Air Hose | 3/8" I.D. |
| Overall Length | 8-5/32" / 207 mm |
| Net Weight | 6.39 lbs / 2.90 kgs |

3/4" DR.
Long Anvil Super Duty Air Impact Wrench
• Impact Mechanism : New Twin Hammer
• Handle Exhaust with Muffler



| ITEM NO. | KAAB2460 |
|-----------------------|---------------------|
| SPECIFICATIONS | |
| Max. Torque | 600 ft-lb / 813 Nm |
| Free Speed | 6300 RPM |
| Air Pressure | 90 PSI / 6.2 BAR |
| Air Consumption | 4.4 CFM |
| Air Inlet | 1/4" PT |
| Min. Air Hose | 3/8" I.D. |
| Overall Length | 10-1/2" / 260 mm |
| Net Weight | 6.81 lbs / 3.09 kgs |

3/4" DR.
Super Duty Air Impact Wrench
• Impact Mechanism : New Twin Hammer
• Handle Exhaust with Muffler



| ITEM NO. | KAAA2475 |
|-----------------------|---------------------|
| SPECIFICATIONS | |
| Max. Torque | 750 ft-lb / 1016 Nm |
| Free Speed | 6500 RPM |
| Air Pressure | 90 PSI / 6.2 BAR |
| Air Consumption | 7 CFM |
| Air Inlet | 1/4" PT |
| Min. Air Hose | 3/8" I.D. |
| Overall Length | 9-7/32" / 234 mm |
| Net Weight | 9.83 lbs / 4.46 kgs |

1" DR.
Super Duty Air Impact Wrench
• Impact Mechanism : New Twin Hammer
• Side Exhaust with Muffler
• Inside Trigger



| ITEM NO. | KAAA321808 |
|-----------------------|-----------------------|
| SPECIFICATIONS | |
| Max. Torque | 1800 ft-lb / 2440 Nm |
| Free Speed | 4000 RPM |
| Air Pressure | 90 PSI / 6.2 BAR |
| Air Consumption | 9 CFM |
| Air Inlet | 1/2" PT |
| Min. Air Hose | 3/4" I.D. |
| Overall Length | 14-15/16" / 380 mm |
| Net Weight | 24.71 lbs / 11.21 kgs |

1" DR.
Super Duty Air Impact Wrench
• Impact Mechanism : New Twin Hammer
• Side Exhaust with Muffler
• Outside Trigger



| ITEM NO. | KAAA321809 |
|-----------------------|-----------------------|
| SPECIFICATIONS | |
| Max. Torque | 1800 ft-lb / 2440 Nm |
| Free Speed | 4000 RPM |
| Air Pressure | 90 PSI / 6.2 BAR |
| Air Consumption | 9 CFM |
| Air Inlet | 1/2" PT |
| Min. Air Hose | 3/4" I.D. |
| Overall Length | 15-11/32" / 390 mm |
| Net Weight | 24.89 lbs / 11.29 kgs |

3/4" DR.
Long Anvil Super Duty Air Impact Wrench
• Impact Mechanism : New Twin Hammer
• Handle Exhaust with Muffler



| ITEM NO. | KAAB2475 |
|-----------------------|----------------------|
| SPECIFICATIONS | |
| Max. Torque | 750 ft-lb / 1016 Nm |
| Free Speed | 6500 RPM |
| Air Pressure | 90 PSI / 6.2 BAR |
| Air Consumption | 7 CFM |
| Air Inlet | 1/4" PT |
| Min. Air Hose | 3/8" I.D. |
| Overall Length | 13-1/2" / 343 mm |
| Net Weight | 10.81 lbs / 4.90 kgs |

1" DR.
Long Anvil Super Duty Air Impact Wrench
• Impact Mechanism : New Twin Hammer
• Side Exhaust with Muffler
• Inside Trigger



| ITEM NO. | KAAB321808 |
|-----------------------|-----------------------|
| SPECIFICATIONS | |
| Max. Torque | 1800 ft-lb / 2440 Nm |
| Free Speed | 4000 RPM |
| Air Pressure | 90 PSI / 6.2 BAR |
| Air Consumption | 9 CFM |
| Air Inlet | 1/2" PT |
| Min. Air Hose | 3/4" I.D. |
| Overall Length | 20-1/16" / 510 mm |
| Net Weight | 27.18 lbs / 12.33 kgs |

1" DR.
Long Anvil Super Duty Air Impact Wrench
• Impact Mechanism : New Twin Hammer
• Side Exhaust with Muffler
• Outside Trigger



| ITEM NO. | KAAB321809 |
|-----------------------|-----------------------|
| SPECIFICATIONS | |
| Max. Torque | 1800 ft-lb / 2440 Nm |
| Free Speed | 4000 RPM |
| Air Pressure | 90 PSI / 6.2 BAR |
| Air Consumption | 9 CFM |
| Air Inlet | 1/2" PT |
| Min. Air Hose | 3/4" I.D. |
| Overall Length | 20-1/4" / 515 mm |
| Net Weight | 27.27 lbs / 12.37 kgs |

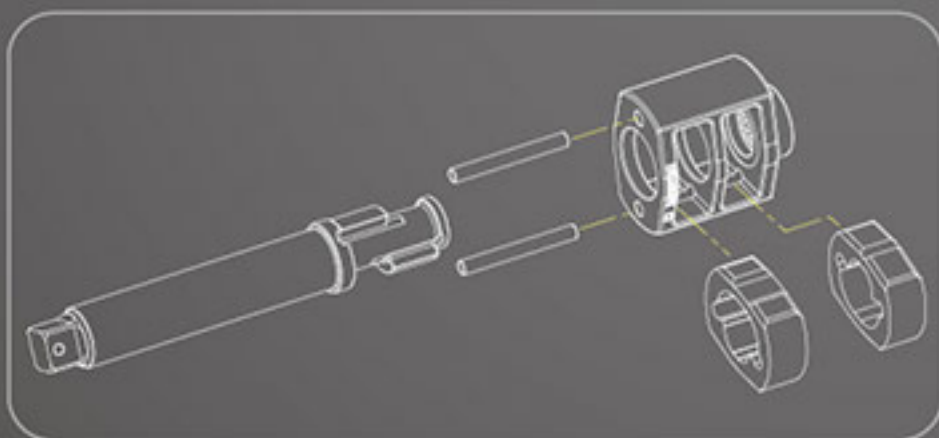
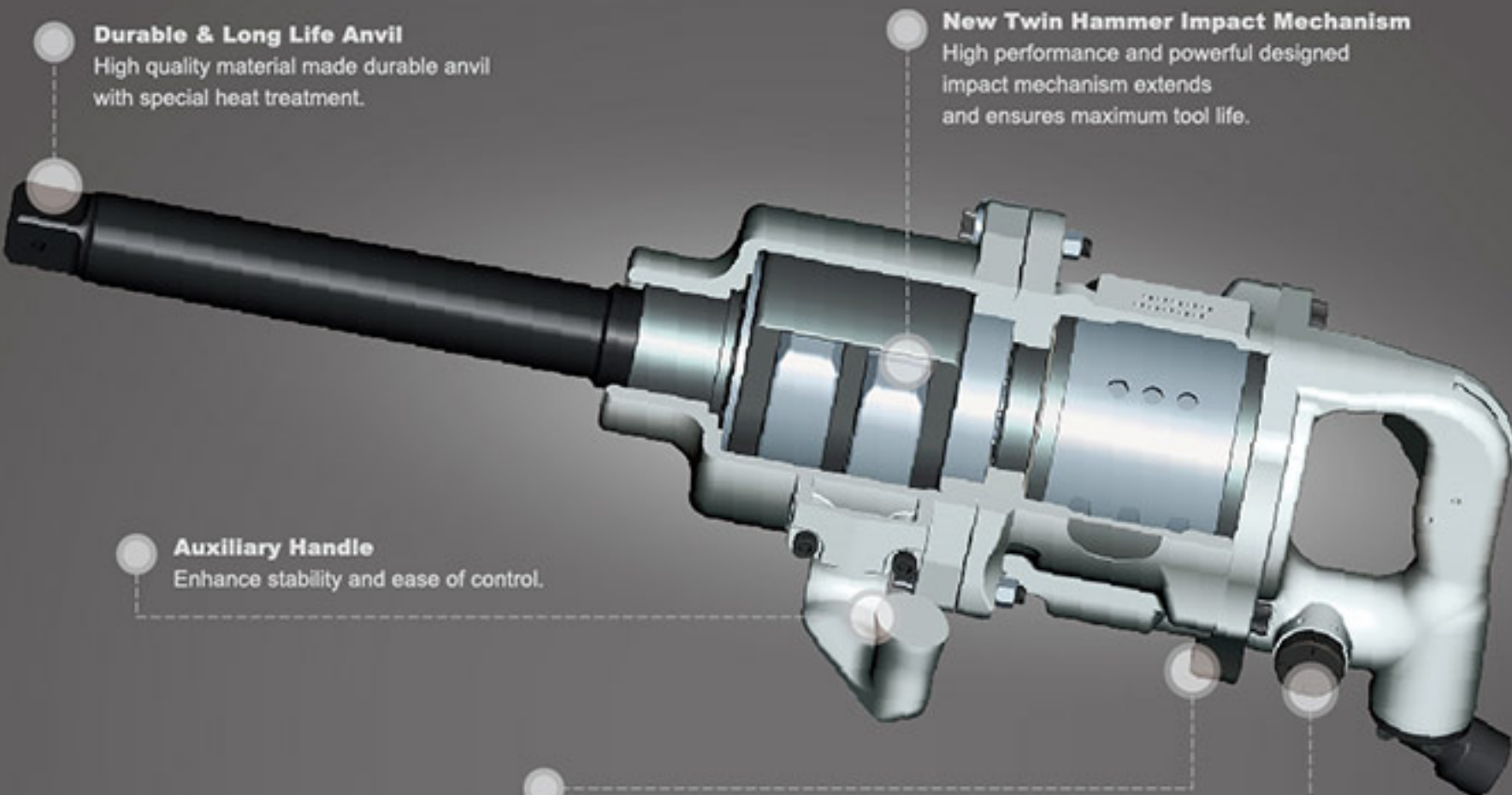
TOPTUL AIR IMPACT WRENCH SERIES



TOPTUL®

Long Anvil Super Duty Air Impact Wrench

- Impact Mechanism : New Twin Hammer
- Side Exhaust with Muffler
- Inside Trigger



High-performance

KAAB3225



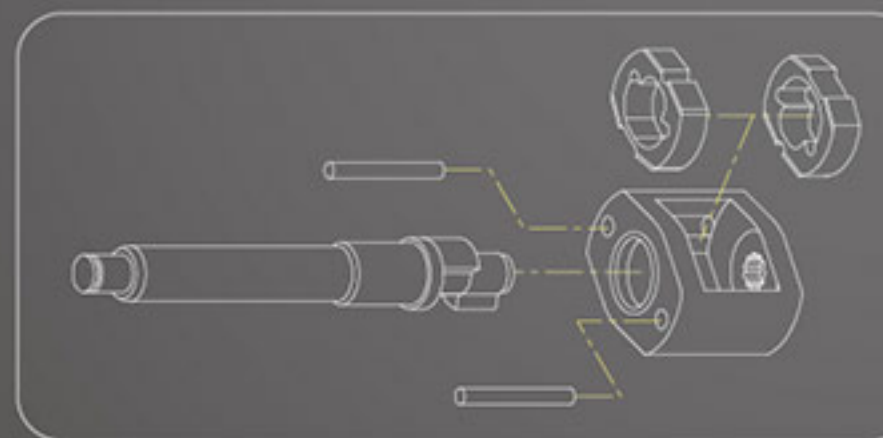
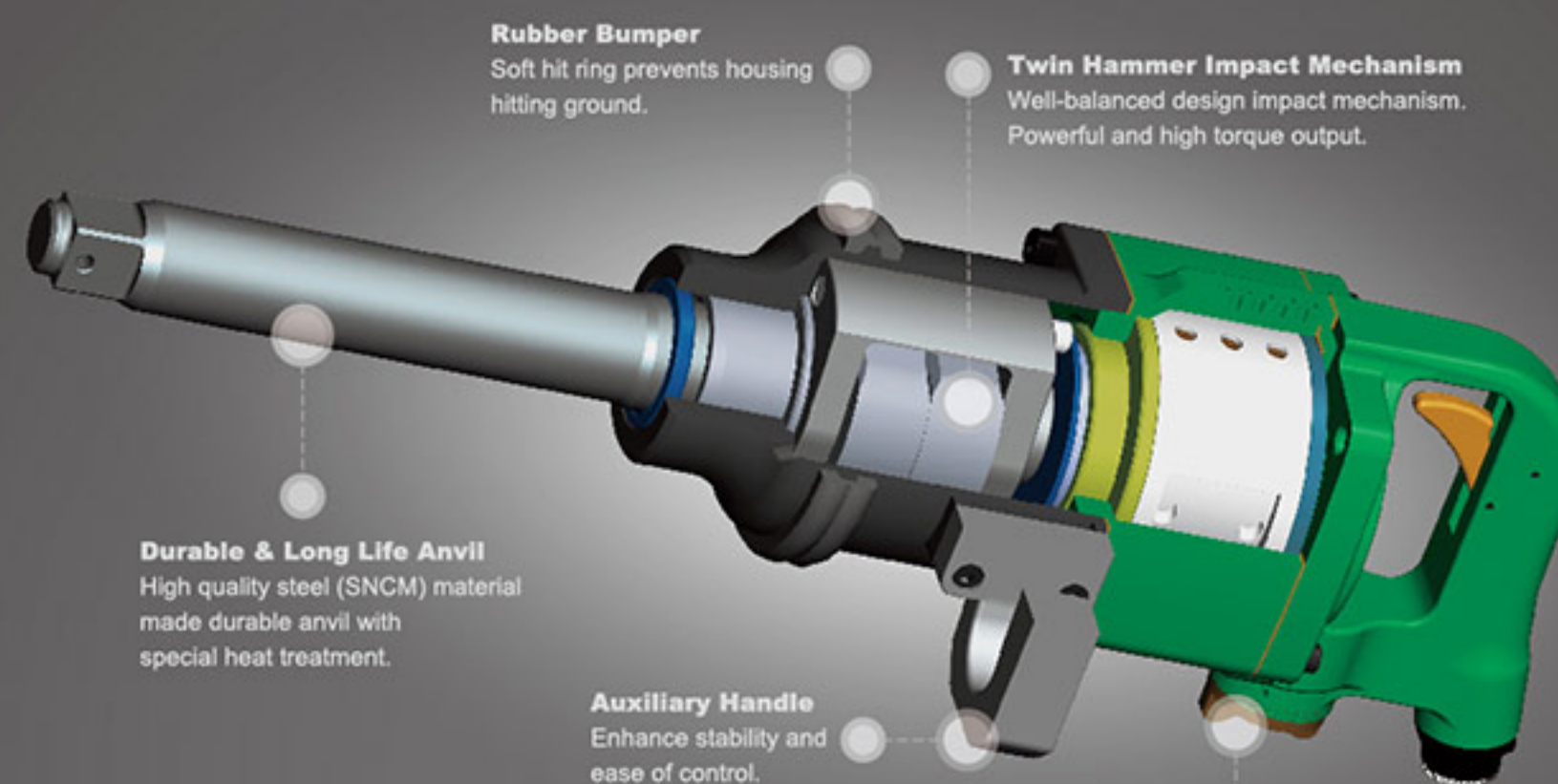
1" DR.

| ITEM NO. | KAAB3225 | 1 |
|-----------------------|----------------------|---|
| SPECIFICATIONS | | |
| Max. Torque | 2500 ft-lb / 3390 Nm | |
| Free Speed | 3000 RPM | |
| Air Pressure | 90 PSI / 6.2 BAR | |
| Air Consumption | 14.5 CFM | |
| Air Inlet | 1/2" PT | |
| Min. Air Hose | 3/4" I.D. | |
| Overall Length | 25" / 634 mm | |
| Net Weight | 37.04 lbs / 16.8 kgs | |

TOPTUL®

Long Anvil Super Duty Air Impact Wrench

- Impact Mechanism : Twin Hammer
- Side Exhaust
- Inside Trigger



High-performance

KAAB3226



1" DR.

| ITEM NO. | KAAB3226 | 2 |
|-----------------------|-----------------------|---|
| SPECIFICATIONS | | |
| Max. Torque | 2600 ft-lb / 3520 Nm | |
| Free Speed | 3000 RPM | |
| Air Pressure | 90 PSI / 6.2 BAR | |
| Air Consumption | 14 CFM | |
| Air Inlet | 1/2" PT | |
| Min. Air Hose | 3/4" I.D. | |
| Overall Length | 22-5/8" / 575 mm | |
| Net Weight | 28.31 lbs / 12.84 kgs | |

10PCS
1/2" DR. Super Duty Air Impact Wrench Set
1/2"



| | | |
|--|-------------------------------|---|
| ITEM NO. | GDAI1001E | 4 (SET) |
| CONTENTS | | |
| 1 | KAAG1650 | 1/2" Dr. Super Duty Air Impact Wrench (500 ft-lb / 678 Nm) |
| 2 | KABA1613-1624 | 1/2" Dr. 6PT Flank Impact Sockets 13, 17, 19, 21, 22, 24 mm |
| 3 | KALB1501 | Oil Pot - 15 c.c |
| 4 | KALA0815 | 1/4" Mini Oiler |
| 5 | KALC081E (Item No. GDAI1001E) | 1/4" Air Nipple (European Type) |
| 6 | KALC082J (Item No. GDAI1001J) | 1/4" Air Nipple (Japanese Type) |
| BLOW CASE: W392 x D210 x H88 (mm) | | |

20PCS
1/2" DR. Air Impact Wrench Set
• Heavy duty 1/2 S.Q. twin hammer mechanism air impact wrench, front exhaust (Adjustable power regulator, 5-position forward and reverse power setting)
• Include one mini oiler to keep impact wrench lubricated



| | | |
|---|-------------------------------|---|
| ITEM NO. | GDAI2002E | 3 (SET) |
| CONTENTS | | |
| 1 | KAAB1660B | 1/2" Dr. Standard Anvil Super Duty Air Impact Wrench (600 ft-lb / 813 Nm) |
| 2 | KABA1610-1627 | 1/2" Dr. 6PT Flank Impact Sockets 10, 11, 12, 13, 14, 16, 17, 19, 21, 22, 24, 27 mm |
| 3 | KABE1617-1621 | 1/2" Dr. 6PT Flank Deep Impact Sockets 17, 19, 21 mm |
| 4 | KACE1605 | 1/2" Dr. Impact Extension Bar - 5" (L) |
| 5 | KALB1501 | Oil Pot - 15 c.c |
| 6 | KALA0815 | 1/4" Mini Oiler |
| 7 | KALC081E (Item No. GDAI2002E) | 1/4" Air Inlet Nipple (European Type) |
| 8 | KALC082J (Item No. GDAI2002J) | 1/4" Air Inlet Nipple (Japanese Type) |
| BLOW CASE: W478 x D234 x H100 (mm) | | |

27PCS
1/2" DR. Air Impact Wrench Set
- Standard Anvil
1/2"



| | | |
|---|---------------|--|
| ITEM NO. | GDAI2701 | 3 (SET) |
| CONTENTS | | |
| 1 | KAAB1640 | 1/2" Dr. Standard Anvil Super Duty Impact Wrench (600 ft-lb / 813 Nm) |
| 2 | KABA1610-1624 | 1/2" Dr. 6PT Flank Impact Sockets 10, 11, 12, 13, 14, 17, 18, 19, 20, 21, 22, 24 mm |
| 3 | KABP1617-1621 | 1/2" Dr. 6PT Flank Pro-Series Thin Wall Deep Impact Sockets with Plastic Sleeves 17, 19, 21 mm |
| 4 | KACE1605 | 1/2" Dr. Impact Extension Bar - 5" (L) |
| 5 | KACN160B | 1/2" Dr. Impact Universal Joint |
| 6 | KALO1614-1632 | O-Ring 8-14 mm x 2pcs, 15-32 mm x 2pcs |
| 7 | KALP1614-1632 | Pin 8-14 mm x 2pcs, 15-32 mm x 2pcs |
| 8 | KALB1501 | Oil Pot 15 c.c |
| BLOW CASE: W478 x D234 x H100 (mm) | | |

27PCS
1/2" DR. Air Impact Wrench Set
- Long Anvil
1/2"



| | | |
|---|---------------|--|
| ITEM NO. | GDAI2702 | 3 (SET) |
| CONTENTS | | |
| 1 | KAAB1640 | 1/2" Dr. Long Anvil Super Duty Impact Wrench (400 ft-lb / 542 Nm) |
| 2 | KABA1610-1624 | 1/2" Dr. 6PT Flank Impact Sockets 10, 11, 12, 13, 14, 17, 18, 19, 20, 21, 22, 24 mm |
| 3 | KABP1617-1621 | 1/2" Dr. 6PT Flank Pro-Series Thin Wall Deep Impact Sockets with Plastic Sleeves 17, 19, 21 mm |
| 4 | KACE1605 | 1/2" Dr. Impact Extension Bar - 5" (L) |
| 5 | KACN160B | 1/2" Dr. Impact Universal Joint |
| 6 | KALO1614-1632 | O-Ring 8-14 mm x 2pcs, 15-32 mm x 2pcs |
| 7 | KALP1614-1632 | Pin 8-14 mm x 2pcs, 15-32 mm x 2pcs |
| 8 | KALB1501 | Oil Pot 15 c.c |
| BLOW CASE: W478 x D234 x H100 (mm) | | |

27PCS
1/2" DR. Air Impact Wrench Set
- Standard Anvil
1/2"



| | | |
|---|---------------|--|
| ITEM NO. | GDAI2703 | 3 (SET) |
| CONTENTS | | |
| 1 | KAAB1660 | 1/2" Dr. Standard Anvil Super Duty Impact Wrench (700 ft-lb / 949 Nm) |
| 2 | KABA1610-1624 | 1/2" Dr. 6PT Flank Impact Sockets 10, 11, 12, 13, 14, 17, 18, 19, 20, 21, 22, 24 mm |
| 3 | KABP1617-1621 | 1/2" Dr. 6PT Flank Pro-Series Thin Wall Deep Impact Sockets with Plastic Sleeves 17, 19, 21 mm |
| 4 | KACE1605 | 1/2" Dr. Impact Extension Bar - 5" (L) |
| 5 | KACN160B | 1/2" Dr. Impact Universal Joint |
| 6 | KALO1614-1632 | O-Ring 8-14 mm x 2pcs, 15-32 mm x 2pcs |
| 7 | KALP1614-1632 | Pin 8-14 mm x 2pcs, 15-32 mm x 2pcs |
| 8 | KALB1501 | Oil Pot 15 c.c |
| BLOW CASE: W478 x D234 x H100 (mm) | | |

27PCS
1/2" DR. Air Impact Wrench Set
- Long Anvil
1/2"

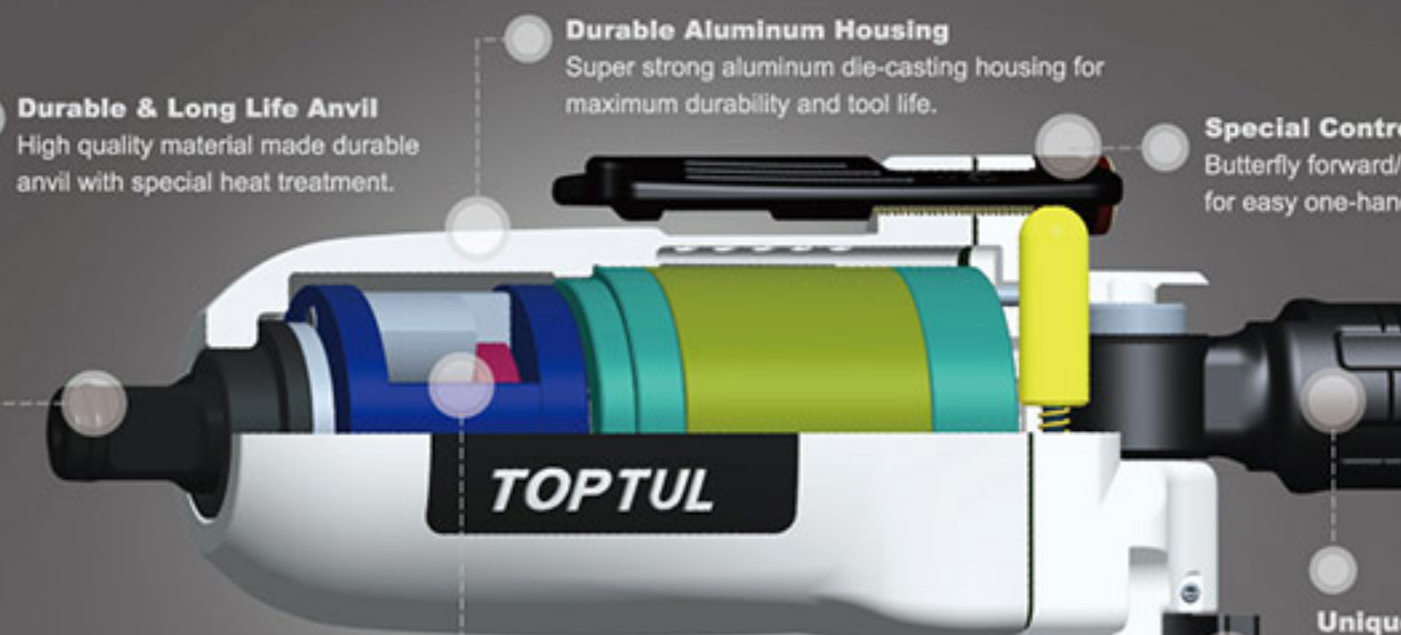


| | | |
|---|---------------|--|
| ITEM NO. | GDAI2704 | 3 (SET) |
| CONTENTS | | |
| 1 | KAAB1660 | 1/2" Dr. Long Anvil Super Duty Impact Wrench (600 ft-lb / 813 Nm) |
| 2 | KABA1610-1624 | 1/2" Dr. 6PT Flank Impact Sockets 10, 11, 12, 13, 14, 17, 18, 19, 20, 21, 22, 24 mm |
| 3 | KABP1617-1621 | 1/2" Dr. 6PT Flank Pro-Series Thin Wall Deep Impact Sockets with Plastic Sleeves 17, 19, 21 mm |
| 4 | KACE1605 | 1/2" Dr. Impact Extension Bar - 5" (L) |
| 5 | KACN160B | 1/2" Dr. Impact Universal Joint |
| 6 | KALO1614-1632 | O-Ring 8-14 mm x 2pcs, 15-32 mm x 2pcs |
| 7 | KALP1614-1632 | Pin 8-14 mm x 2pcs, 15-32 mm x 2pcs |
| 8 | KALB1501 | Oil Pot 15 c.c |
| BLOW CASE: W478 x D234 x H100 (mm) | | |

TOPTUL
Super Duty Mini Butterfly Type Air Impact Wrench

- Impact Mechanism : Twin Dog Clutch
- Side Exhaust with Muffler

MINI DESIGN
LIGHT WEIGHT



Durable & Long Life Anvil
High quality material made durable anvil with special heat treatment.

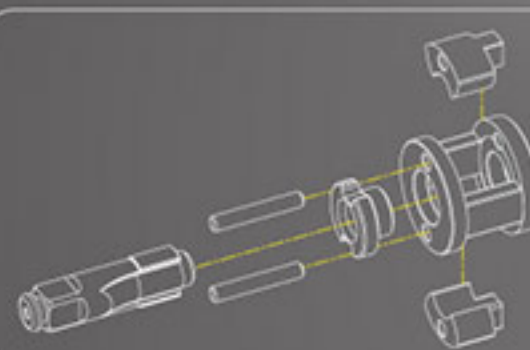
Durable Aluminum Housing
Super strong aluminum die-casting housing for maximum durability and tool life.

Special Controlled Rocking Lever
Butterfly forward/reverse throttle design for easy one-hand operation.

Twin Dog Clutch Impact Mechanism
A powerful mechanism with a smoothly increasing torque and low reaction force.

Unique Air Inlet Design
180° swivel air inlet prevents the air hose from damage.

Air Regulator
3-position power setting.



High-performance

1/4" DR.

80 FT-LBS



• Powerful, Lightweight & Mini Model

| | | |
|-----------------------|---------------------|----|
| ITEM NO. | KAUU0808 | 30 |
| SPECIFICATIONS | | |
| Max. Torque | 80 ft-lb / 108 Nm | |
| Free Speed | 12000 RPM | |
| Air Pressure | 90 PSI / 6.2 BAR | |
| Air Consumption | 2.1 CFM | |
| Air Inlet | 1/4" PT | |
| Min. Air Hose | 3/8" I.D. | |
| Overall Length | 5-1/2" / 139 mm | |
| Net Weight | 1.17 lbs / 0.53 kgs | |

3/8" DR.

80 FT-LBS



• Powerful, Lightweight & Mini Model

| | | |
|-----------------------|---------------------|----|
| ITEM NO. | KAUU1208 | 30 |
| SPECIFICATIONS | | |
| Max. Torque | 80 ft-lb / 108 Nm | |
| Free Speed | 12000 RPM | |
| Air Pressure | 90 PSI / 6.2 BAR | |
| Air Consumption | 2.1 CFM | |
| Air Inlet | 1/4" PT | |
| Min. Air Hose | 3/8" I.D. | |
| Overall Length | 5-1/2" / 139 mm | |
| Net Weight | 1.17 lbs / 0.53 kgs | |

TOPTUL®

Super Duty Air Angle Impact Wrench

- Impact Mechanism : Jumbo Hammer
- Rear Exhaust with Muffler

High-performance

Precision Machined Bevel Gear
Drive ratchet gear strongly for maximum durability and tool life.

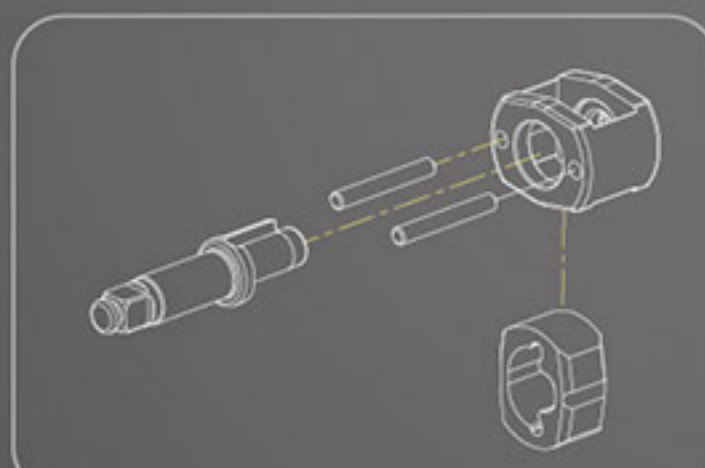
Durable Aluminum Housing
Super strong aluminum die-casting housing for maximum durability and tool life.

Rotation Switch
3-position power setting.
Forward : 2 speed
Reverse : 1 speed

Jumbo Hammer Impact Mechanism
Super duty designed impact mechanism extends and ensures maximum tool life.

Composite Grip Handle
Lightweight and ergonomic design for positive grip.

Rear Exhaust with Muffler
Designed for use optional air hose and discharge air away from working area.



KAAH1620



1/2" DR.

| ITEM NO. | KAAH1620 |
|-----------------------|--------------------|
| SPECIFICATIONS | |
| Max. Torque | 180 ft-lb / 244 Nm |
| Free Speed | 7000 RPM |
| Air Pressure | 90 PSI / 6.2 BAR |
| Air Consumption | 5.0 CFM |
| Air Inlet | 1/4" PT |
| Min. Air Hose | 3/8" I.D. |
| Overall Length | 13-2/5" / 341 mm |
| Net Weight | 3.97 lbs / 1.8 kgs |

TOPTUL®

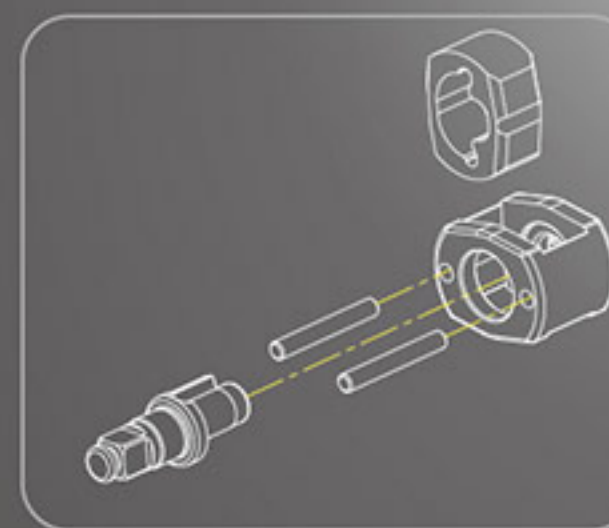
Air Angle Impact Wrench - Gearless Type -

- Impact Mechanism : Jumbo Hammer
- Rotary Exhaust with Muffler

Protective Silicone Cover



Jumbo Hammer Impact Mechanism
Super duty designed impact mechanism extends and ensures maximum tool life.



Short Barrel Model
Easier to operate in confined spaces.

360° Swivel Exhaust Deflector
Convenient to direct the air away from working area.

Power Regulator Switch
4-position power setting.
Forward: 3 speed
Reverse: 1 speed

Composite Grip Handle
Ergonomic design for positive grip.



Rotary Air Inlet
360° rotary air inlet prevents the air hose from damage.

KAAS1630



1/2" DR.

| ITEM NO. | KAAS1630 |
|-----------------------|---------------------|
| SPECIFICATIONS | |
| Max. Torque | 300 ft-lb / 407 Nm |
| Free Speed | 6500 RPM |
| Air Pressure | 90 PSI / 6.2 BAR |
| Air Consumption | 4.2 CFM |
| Air Inlet | 1/4" PT |
| Min. Air Hose | 3/8" I.D. |
| Overall Length | 9-11/16" / 245 mm |
| Net Weight | 3.09 lbs / 1.40 kgs |

TOPTUL

Super Duty Air Impact Wrench

- Impact Mechanism : New Twin Hammer
- Handle Exhaust with Muffler
- One-Hand Reversing Switch

High-performance

Durable & Long Life Anvil
High quality material made durable anvil with special heat treatment.

New Twin Hammer Impact Mechanism
High performance and powerful designed impact mechanism extends and ensures maximum tool life.

Air Regulator
4-position power setting.

One-Hand Switch Button
Unique F/R switch design for easy one-hand operation.

End Cap Slider Guide Trigger
Easy operation design.

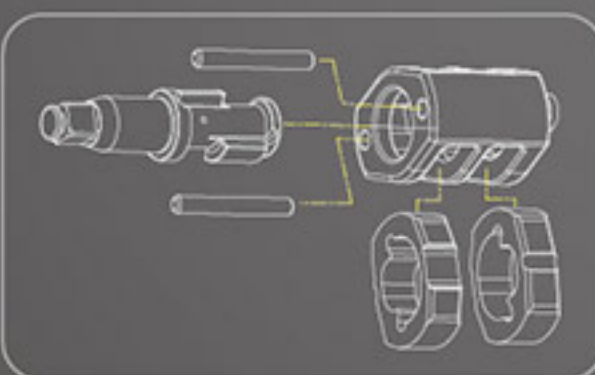
Composite Grip Handle
Lightweight & Ergonomic designed.

Improved Throttle Valve Seat
Easier maintenance design with less wear and prolong the life of the tool.

Rubber composite handle
Comfort & positive grip with less vibration.

Improved Air Inlet
Effectively reduces the damage of thread.

Handle Exhaust with Muffler
Reduces noise level and discharge air away from working area.



KAAJ1680



1/2" DR.

800 FT-LBS

• Powerful, Lightweight & Simple Operation

| ITEM NO. | KAAJ1680 | ⊞ 8 |
|-----------------------|---------------------|-----|
| SPECIFICATIONS | | |
| Max. Torque | 800 ft-lb / 1085 Nm | |
| Free Speed | 8000 RPM | |
| Air Pressure | 90 PSI / 6.2 BAR | |
| Air Consumption | 6.7 CFM | |
| Air Inlet | 1/4" PT | |
| Min. Air Hose | 3/8" I.D. | |
| Overall Length | 7-3/4" / 197 mm | |
| Net Weight | 5.07 lbs / 2.3 kgs | |



TOPTUL SUPER DUTY AIR IMPACT WRENCH SERIES
(One-Hand Reversing Switch)

HIGH-PERFORMANCE & LIGHTWEIGHT COMPOSITE HANDLE

3/8" DR.

Super Duty Air Impact Wrench
• Impact Mechanism : Twin Hammer
• Handle Exhaust with Muffler
• One-Hand Reversing Switch



• Powerful, Lightweight & Simple Operation

| ITEM NO. | KAAJ1240 | ⊞ 12 |
|-----------------------|---------------------|------|
| SPECIFICATIONS | | |
| Max. Torque | 400 ft-lb / 542 Nm | |
| Free Speed | 13500 RPM | |
| Air Pressure | 90 PSI / 6.2 BAR | |
| Air Consumption | 5.9 CFM | |
| Air Inlet | 1/4" PT | |
| Min. Air Hose | 3/8" I.D. | |
| Overall Length | 6" / 152 mm | |
| Net Weight | 2.69 lbs / 1.22 kgs | |

1/2" DR.

Super Duty Air Impact Wrench
• Impact Mechanism : Twin Hammer
• Handle Exhaust with Muffler
• One-Hand Reversing Switch



• Powerful, Lightweight & Simple Operation

| ITEM NO. | KAAJ1643 | ⊞ 12 |
|-----------------------|---------------------|------|
| SPECIFICATIONS | | |
| Max. Torque | 430 ft-lb / 583 Nm | |
| Free Speed | 13500 RPM | |
| Air Pressure | 90 PSI / 6.2 BAR | |
| Air Consumption | 5.9 CFM | |
| Air Inlet | 1/4" PT | |
| Min. Air Hose | 3/8" I.D. | |
| Overall Length | 6" / 152 mm | |
| Net Weight | 2.73 lbs / 1.24 kgs | |

3/4" DR.

Super Duty Air Impact Wrench
• Impact Mechanism : New Twin Hammer
• Handle Exhaust with Muffler
• One-Hand Reversing Switch



• Powerful, Lightweight & Simple Operation

| ITEM NO. | KAAJ2480 | ⊞ 8 |
|-----------------------|---------------------|-----|
| SPECIFICATIONS | | |
| Max. Torque | 800 ft-lb / 1085 Nm | |
| Free Speed | 8000 RPM | |
| Air Pressure | 90 PSI / 6.2 BAR | |
| Air Consumption | 6.7 CFM | |
| Air Inlet | 1/4" PT | |
| Min. Air Hose | 3/8" I.D. | |
| Overall Length | 8-5/16" / 211 mm | |
| Net Weight | 5.20 lbs / 2.36 kgs | |

3/4" DR.

Super Duty Air Impact Wrench
• Impact Mechanism : New Twin Hammer
• Handle Exhaust with Muffler
• One-Hand Reversing Switch



• Powerful, Lightweight & Simple Operation

| ITEM NO. | KAAJ2413 | ⊞ 4 |
|-----------------------|----------------------|-----|
| SPECIFICATIONS | | |
| Max. Torque | 1300 ft-lb / 1763 Nm | |
| Free Speed | 6000 RPM | |
| Air Pressure | 90 PSI / 6.2 BAR | |
| Air Consumption | 7.3 CFM | |
| Air Inlet | 3/8" PT | |
| Min. Air Hose | 1/2" I.D. | |
| Overall Length | 8-23/32" / 222 mm | |
| Net Weight | 8.2 lbs / 3.72 kgs | |

1" DR.

Super Duty Air Impact Wrench
• Impact Mechanism : New Twin Hammer
• Handle Exhaust with Muffler
• One-Hand Reversing Switch



• Powerful, Lightweight & Simple Operation

| ITEM NO. | KAAJ3214 | ⊞ 4 |
|-----------------------|----------------------|-----|
| SPECIFICATIONS | | |
| Max. Torque | 1400 ft-lb / 1898 Nm | |
| Free Speed | 6000 RPM | |
| Air Pressure | 90 PSI / 6.2 BAR | |
| Air Consumption | 7.3 CFM | |
| Air Inlet | 3/8" PT | |
| Min. Air Hose | 1/2" I.D. | |
| Overall Length | 8-15/16" / 227 mm | |
| Net Weight | 8.42 lbs / 3.82 kgs | |

Super Duty Air Impact Wrench (Limit Forward Working Torque)

- Impact Mechanism : Twin Hammer
- Handle Exhaust with Muffler
- Ideal for automotive tire service
- Limited Torque : 90Nm / Max. Reverse Torque : 814Nm



**TIGHTENING
TORQUE LIMITED
90 NM**

**Ideal for
Automotive tire service**

KAAM1606



1/2" DR.

**66
FT-LBS**

• Limit Forward Working Torque

ITEM NO. KAAM1606

SPECIFICATIONS

| | |
|------------------|---------------------|
| Max. For. Torque | 66 ft-lb / 90 Nm |
| Free For. Speed | 2000 RPM |
| Max. Rev. Torque | 600 ft-lb / 814 Nm |
| Free Rev. Speed | 8000 RPM |
| Air Pressure | 90 PSI / 6.2 BAR |
| Air Consumption | 4.4 CFM |
| Air Inlet | 1/4" PT |
| Min. Air Hose | 3/8" I.D. |
| Overall Length | 7-19/32" / 193 mm |
| Net Weight | 4.73 lbs / 2.15 kgs |

TOPTUL Super Duty Air Impact Wrench

High-performance

- Impact Mechanism : Jumbo Hammer
- Handle Exhaust with Muffler

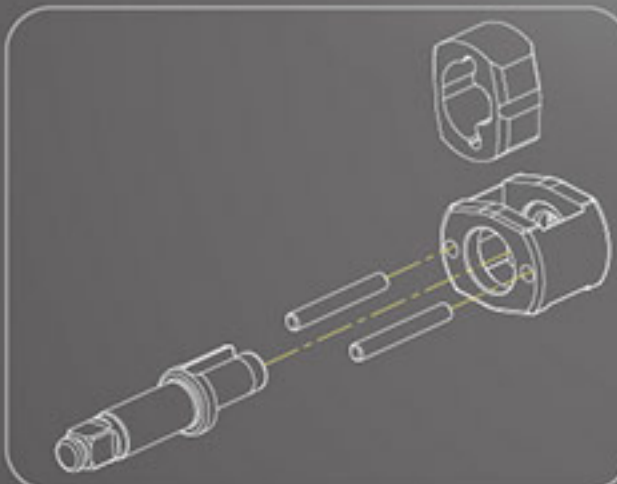
Short Barrel Model
Easier to operate in confined spaces.

Jumbo Hammer Impact Mechanism
Super duty designed impact mechanism extends and ensures maximum tool life.

Air Regulator
4-position power setting.
Forward: 3 speed
Reverse: 1 speed

Composite Grip Handle
Lightweight & Ergonomic designed.

Handle Exhaust with Muffler
Reduces noise level and discharge air away from working area.



KAAC1645



1/2" DR.

**450
FT-LBS**

• Powerful, Lightweight & Short Barrel Model

ITEM NO. KAAC1645

SPECIFICATIONS

| | |
|-----------------|---------------------|
| Max. Torque | 450 ft-lb / 610 Nm |
| Free Speed | 9600 RPM |
| Air Pressure | 90 PSI / 6.2 BAR |
| Air Consumption | 4.9 CFM |
| Air Inlet | 1/4" PT |
| Min. Air Hose | 3/8" I.D. |
| Overall Length | 5-45/64" / 145 mm |
| Net Weight | 3.48 lbs / 1.58 kgs |

TOPTUL

Super Duty Air Impact Wrench

- Impact Mechanism : Twin Hammer
- Handle Exhaust with Muffler

High-performance

POWERFUL DESIGN
LIGHT WEIGHT

Durable & Long Life Anvil
High quality material made durable anvil with special heat treatment.

Twin Hammer Impact Mechanism
Well-balanced design impact mechanism. Powerful and high torque output.



Air Regulator
4-position power setting.
Forward: 3 speed
Reverse: 1 speed

End Cap Slider Guide Trigger
Easy operation design.

Composite Grip Handle
Lightweight & Ergonomic designed.

Rubber composite handle
Comfort & positive grip with less vibration.

Improved Air Inlet
Effectively reduces the damage of thread.

Handle Exhaust with Muffler
Reduces noise level and discharge air away from working area.

KAAC1610



1/2" DR.

1000 FT-LBS

Powerful & Lightweight Model

| ITEM NO. | KAAC1610 |
|-----------------------|----------------------|
| SPECIFICATIONS | |
| Max. Torque | 1000 ft-lb / 1356 Nm |
| Free Speed | 9500 RPM |
| Air Pressure | 90 PSI / 6.2 BAR |
| Air Consumption | 7.3 CFM |
| Air Inlet | 1/4" PT |
| Min. Air Hose | 3/8" I.D. |
| Overall Length | 7-1/2" / 190 mm |
| Net Weight | 5.07 lbs / 2.3 kgs |

3/4" DR.

- Super Duty Air Impact Wrench**
- Impact Mechanism : Twin Hammer
 - Side Exhaust with Muffler
 - Inside Trigger



Features an adjustable 3-position forward and reverse power setting. Auxiliary side handle for ease of control. Rubber comfort grips on side & back handle.

Powerful & Lightweight Model

| ITEM NO. | KAAC2416 |
|-----------------------|----------------------|
| SPECIFICATIONS | |
| Max. Torque | 1600 ft-lb / 2170 Nm |
| Free Speed | 5500 RPM |
| Air Pressure | 90 PSI / 6.2 BAR |
| Air Consumption | 8.5 CFM |
| Air Inlet | 1/2" PT |
| Min. Air Hose | 3/4" I.D. |
| Overall Length | 12-19/32" / 320 mm |
| Net Weight | 12.54 lbs / 5.69 kgs |

1" DR.

- Super Duty Air Impact Wrench**
- Impact Mechanism : Twin Hammer
 - Handle Exhaust with Muffler



Features an adjustable 3-position forward and one full power reverse setting. Auxiliary rubber comfort grip side handle for ease of control.

Powerful & Lightweight Model

| ITEM NO. | KAAC3218 |
|-----------------------|----------------------|
| SPECIFICATIONS | |
| Max. Torque | 1800 ft-lb / 2441 Nm |
| Free Speed | 5000 RPM |
| Air Pressure | 90 PSI / 6.2 BAR |
| Air Consumption | 9.0 CFM |
| Air Inlet | 1/2" PT |
| Min. Air Hose | 3/4" I.D. |
| Overall Length | 10-13/16" / 275 mm |
| Net Weight | 15.92 lbs / 7.22 kgs |

1" DR.

- Long Anvil Super Duty Air Impact Wrench**
- Impact Mechanism : Twin Hammer
 - Side Exhaust with Muffler
 - Inside Trigger



LIGHT MODEL



One of the lightest, most powerful super duty 1" square drive extended anvil impact wrenches. Ultimate torque of 2,000 ft-lbs. at 90 psi. Weighs only 18.34 lbs. Designed for extended use in heavy duty truck tire service works. Twin hammer mechanism promotes an even maximum force on lug nut or bolt. Features an adjustable 3-position forward and reverse power setting. Auxiliary side handle for ease of control. Rubber comfort grips on side & back handle.

Powerful & Lightweight Model

| ITEM NO. | KAAD3220 |
|-----------------------|----------------------|
| SPECIFICATIONS | |
| Max. Torque | 2000 ft-lb / 2712 Nm |
| Free Speed | 5000 RPM |
| Air Pressure | 90 PSI / 6.2 BAR |
| Air Consumption | 9 CFM |
| Air Inlet | 1/2" PT |
| Min. Air Hose | 3/4" I.D. |
| Overall Length | 19-31/64" / 495 mm |
| Net Weight | 18.34 lbs / 8.32 kgs |

1" DRIVE
LONG ANVIL SUPER DUTY AIR IMPACT WRENCH

Air Straight Die Grinder

- Professional Grade Air Tools**
- Powerful 0.6 HP straight-line die grinder for heavy duty applications
 - Includes two collet chucks: 6mm (Insert) & 1/4"
 - Adjustable power regulator for precise control
 - Safety lock lever to prevent accidental start-up
 - Rear exhaust with muffler directs air away from the workpiece
 - Suited for grinding, polishing, burnishing and deburring applications



ITEM NO. KAKA0822

| SPECIFICATIONS | |
|-----------------------|-------------------|
| Collet Chuck | 6mm / 1/4" |
| Power | 0.6 HP / 0.45 KW |
| Free Speed | 22000 RPM |
| Air Pressure | 90 PSI / 6.2 BAR |
| Air Consumption | 6 CFM |
| Air Inlet | 1/4" PT |
| Air Hose | 3/8" I.D. |
| Overall Length | 6-9/16" / 167 mm |
| Weight | 1.3 lbs / 0.6 kgs |

Air Micro Die Grinder

- Includes two collet chucks: 3mm (Insert) & 1/8"
- Adjustable power regulator for precise control
- Rear exhaust with hose
- High quality bearings for smooth and powerful operation
- Suited for grinding, polishing, burnishing and deburring applications



ITEM NO. KAKB0456

| SPECIFICATIONS | |
|-----------------------|--------------------|
| Collet Chuck | 3mm / 1/8" |
| Power | 0.05 HP / 0.04 KW |
| Free Speed | 56000 RPM |
| Air Pressure | 90 PSI / 6.2 BAR |
| Air Consumption | 3.5 CFM |
| Air Inlet | 1/4" PT |
| Air Hose | 13/64" I.D. |
| Overall Length | 5-15/32" / 139 mm |
| Net Weight | 0.44 lbs / 0.2 kgs |

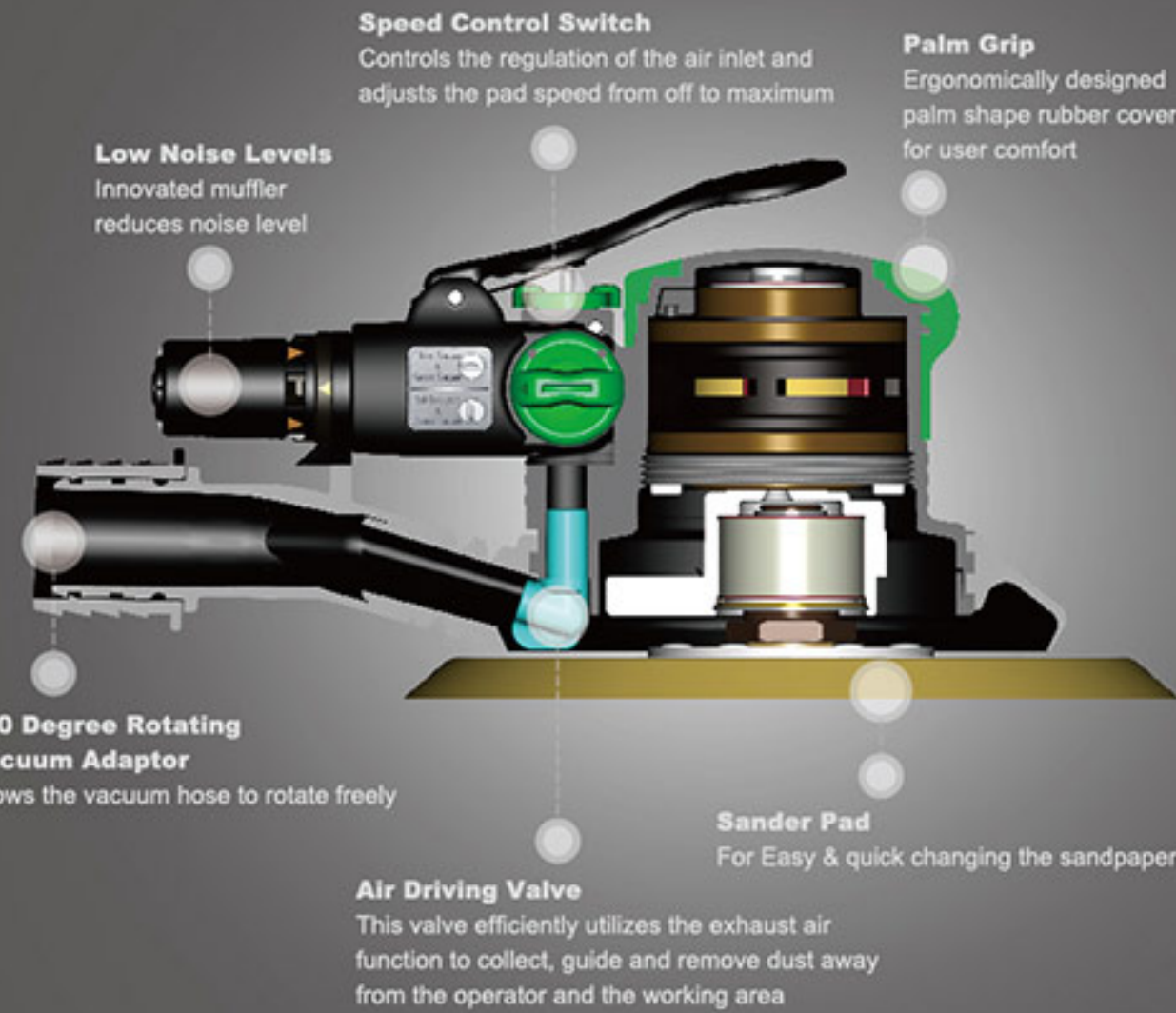
TOPTUL®

3-IN-1 Super Duty Orbital Air Sander

- Rear Exhaust with muffler
- Brand new design 3-in-1 Vacuum Modes - Non-vacuum, Central Vacuum, Self vacuum modes
- High & Low speed control allows users to easily adjust speed for different applications
- Mechanically lower body with low center designed to make operating steady with working face
- Alternatively capable for equipping with dust bag or industrial vacuum cleaner
- Ideal for grinding construction steel, metals and wood
- Orbital diameter
2.5 mm - Fine finish eccentric sander with dust extraction
5 mm - General sanding eccentric sander with dust extraction

High-performance

KAMA SERIES



Sanding Pad (Vacuum Type)



○ KALE0501

○ KALE0601

| ITEM NO. | Pad Size (inch) | Holes | Thread Size (UNF) | Max. Pad Speed (R.P.M) | Applied ITEM NO. | 5 | 20 |
|----------|-----------------|-------|-------------------|------------------------|--------------------|---|----|
| KALE0501 | 5" | 5 | 5/16"-24 | 12000 | KAMA0503, KAMA0505 | 5 | 20 |
| KALE0601 | 6" | 6 | 5/16"-24 | 12000 | KAMA0603, KAMA0605 | 5 | 20 |

3-IN-1 Super Duty Orbital Air Sander



5" PAD SIZE - 2.5mm

| ITEM NO. | KAMA0503 |
|-----------------------|---------------------|
| SPECIFICATIONS | |
| Pad Size | 5" (127 mm) |
| Spindle Thread | 5/16"-24 UNF |
| Orbital Diameter | 2.5 mm |
| Free Speed | 10000 RPM |
| Air Pressure | 90 PSI / 6.2 BAR |
| Air Consumption | 7.5 CFM |
| Air Inlet | 1/4" PT |
| Min. Air Hose | 3/8" I.D. |
| Overall Length | 7-1/4" / 184 mm |
| Net Weight | 1.69 lbs / 0.77 kgs |

3-IN-1 Super Duty Orbital Air Sander



5" PAD SIZE - 5mm

| ITEM NO. | KAMA0505 |
|-----------------------|---------------------|
| SPECIFICATIONS | |
| Pad Size | 5" (127 mm) |
| Spindle Thread | 5/16"-24 UNF |
| Orbital Diameter | 5 mm |
| Free Speed | 10000 RPM |
| Air Pressure | 90 PSI / 6.2 BAR |
| Air Consumption | 7.5 CFM |
| Air Inlet | 1/4" PT |
| Min. Air Hose | 3/8" I.D. |
| Overall Length | 7-1/4" / 184 mm |
| Net Weight | 1.69 lbs / 0.77 kgs |

3-IN-1 Super Duty Orbital Air Sander



6" PAD SIZE - 2.5mm

| ITEM NO. | KAMA0603 |
|-----------------------|---------------------|
| SPECIFICATIONS | |
| Pad Size | 6" (152 mm) |
| Spindle Thread | 5/16"-24 UNF |
| Orbital Diameter | 2.5 mm |
| Free Speed | 10000 RPM |
| Air Pressure | 90 PSI / 6.2 BAR |
| Air Consumption | 7.5 CFM |
| Air Inlet | 1/4" PT |
| Min. Air Hose | 3/8" I.D. |
| Overall Length | 8-7/8" / 225 mm |
| Net Weight | 1.69 lbs / 0.77 kgs |

3-IN-1 Super Duty Orbital Air Sander



6" PAD SIZE - 5mm

| ITEM NO. | KAMA0605 |
|-----------------------|---------------------|
| SPECIFICATIONS | |
| Pad Size | 6" (152 mm) |
| Spindle Thread | 5/16"-24 UNF |
| Orbital Diameter | 5 mm |
| Free Speed | 10000 RPM |
| Air Pressure | 90 PSI / 6.2 BAR |
| Air Consumption | 7.5 CFM |
| Air Inlet | 1/4" PT |
| Min. Air Hose | 3/8" I.D. |
| Overall Length | 8-7/8" / 225 mm |
| Net Weight | 1.69 lbs / 0.77 kgs |

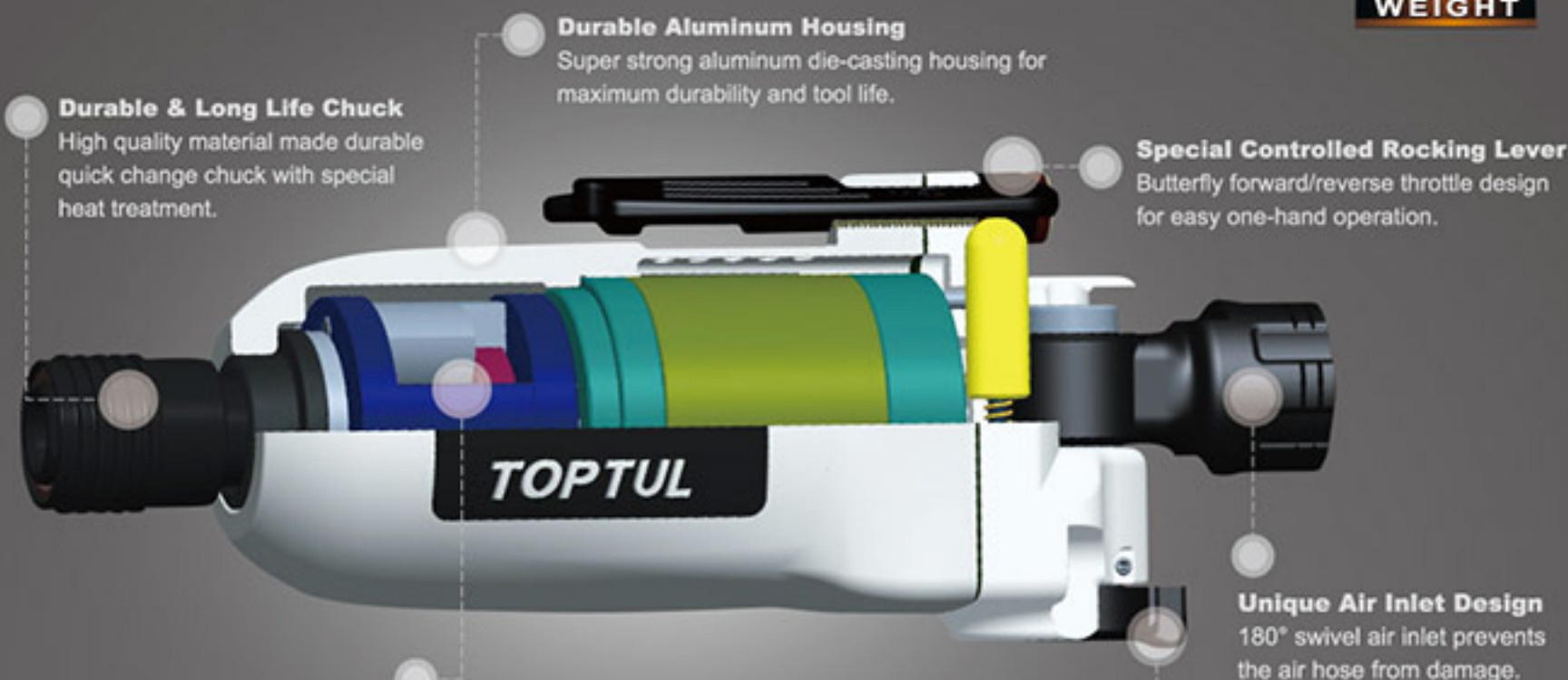
TOPTUL

Super Duty Mini Butterfly Type Air Screwdriver

- Impact Mechanism : Twin Dog Clutch
- Side Exhaust with Muffler
- Quick Change Hexagonal Female

High-performance

**MINI
DESIGN
LIGHT
WEIGHT**



Durable Aluminum Housing
Super strong aluminum die-casting housing for maximum durability and tool life.

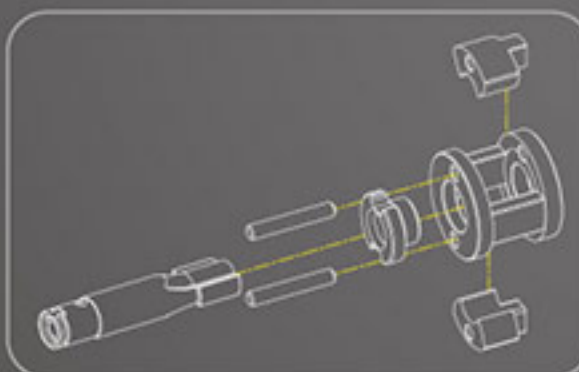
Durable & Long Life Chuck
High quality material made durable quick change chuck with special heat treatment.

Special Controlled Rocking Lever
Butterfly forward/reverse throttle design for easy one-hand operation.

Twin Dog Clutch Impact Mechanism
A powerful mechanism with a smoothly increasing torque and low reaction force.

Unique Air Inlet Design
180° swivel air inlet prevents the air hose from damage.

Air Regulator
3-position power setting.



Bits Type:



Chuck designed for European type of bits

KSAU0808



**80
FT-LBS**

• Powerful, Lightweight & Mini Model

| ITEM NO. | KSAU0808 |
|-----------------------|---------------------|
| SPECIFICATIONS | |
| Max. Torque | 80 ft-lb / 108 Nm |
| Free Speed | 12000 RPM |
| Air Pressure | 90 PSI / 6.2 BAR |
| Air Consumption | 2.1 CFM |
| Air Inlet | 1/4" PT |
| Min. Air Hose | 3/8" I.D. |
| Overall Length | 5-23/32" / 146 mm |
| Net Weight | 1.21 lbs / 0.55 kgs |

1/4" Hex.

Heavy Duty Air Impact Hammer

- Pressure die cast Aluminum Alloy body with hardened tool steel impact mechanism
- Close tolerance of internal parts provides high torque performance and low air consumption
- Medium-barrel hammer design with pistol grip handle
- Front exhaust



| ITEM NO. | KAHA3217 |
|----------------------------|--------------------------|
| SPECIFICATIONS | |
| Blow Per Minute | 3200 BPM |
| Piston Stroke | 67mm (2-5/8") |
| Chisel Shank Opening (Hex) | 10 mm |
| Overall Length | 171 mm (6-3/4") |
| Net Weight | 1.6 kg (3.5 lbs) |
| Air Inlet | 1/4" PT |
| Air Hose | 3/8" I.D. |
| Air Pressure | 90 PSI / 6.2 BAR |
| Average Air Consumption | 10 CFM (283 l/min) |
| Sound Pressure Level | 104.22 dB(A) |
| Sound Power Level | 115.21 dB(A) |
| Vibration Level | 13.51 M/Sec ² |

Flat Chisel



| ITEM NO. | Hex(mm) | L(mm) |
|----------|---------|-------|
| KAJA18A1 | 10 | 178 |

Sheet Metal Trimmer



| ITEM NO. | Hex(mm) | L(mm) |
|----------|---------|-------|
| KAJA18B1 | 10 | 178 |

Spot Weld Breaker



| ITEM NO. | Hex(mm) | L(mm) |
|----------|---------|-------|
| KAJA18C1 | 10 | 178 |

Panel Cutter



| ITEM NO. | Hex(mm) | L(mm) |
|----------|---------|-------|
| KAJA18D1 | 10 | 178 |

Taper Punch



| ITEM NO. | Hex(mm) | L(mm) |
|----------|---------|-------|
| KAJA18E1 | 10 | 178 |

Air Pistol Grip Needle Scaler

- Suitable for surface preparation work involving the cleaning or removal of paint, rust, dirt or weld slag
- Adjustable needle cover enables maximum utilization of needles
- Heat treated piston and cylinder ensure excellent durability and long service life
- Fitted with 19 needles of Ø3 mm
- Optional attachment for 29 needles of Ø2 mm

| ITEM NO. | KAHB3718 |
|-------------------------|-------------------------|
| SPECIFICATIONS | |
| Blow Per Minute | 3700 BPM |
| Piston Stroke | 33.5 mm (1-5/16") |
| Overall Length | 330 mm (13") |
| Net Weight | 2.7 kg (6 lbs) |
| Needle Diameter | Ø3x180 mm |
| Air Inlet | 1/4" PT |
| Air Hose | 3/8" I.D. |
| Air Pressure | 90 PSI / 6.2 BAR |
| Average Air Consumption | 3.0 CFM (85 l/min) |
| Sound Pressure Level | 98 dB(A) |
| Sound Power Level | 109 dB(A) |
| Vibration Level | 18.1 M/Sec ² |



Air Needle Scaler

- Suitable for surface preparation work involving the cleaning or removal of paint, rust, dirt or weld slag
- Axial design allows easy access to confined spaces
- Heat treated piston and cylinder ensure excellent durability and long service life
- Fitted with 12 needles of Ø3 mm

| ITEM NO. | KAHC5013 |
|-------------------------|-------------------------|
| SPECIFICATIONS | |
| Blow Per Minute | 5000 BPM |
| Piston Stroke | 28 mm (1-3/32") |
| Overall Length | 295 mm (11-9/16") |
| Net Weight | 1.3 kg (2.9 lbs) |
| Needle Diameter | Ø3x125 mm |
| Air Inlet | 1/4" PT |
| Air Hose | 3/8" I.D. |
| Air Pressure | 90 PSI / 6.2 BAR |
| Average Air Consumption | 1.7 CFM (48 l/min) |
| Sound Pressure Level | 94 dB(A) |
| Sound Power Level | 105 dB(A) |
| Vibration Level | 9.84 M/Sec ² |



TOPTUL®

Air Hydraulic Riveter

Professional Grade Air Tools

NEW

BASIC MODEL

- Suitable for Aluminum/Steel & Stainless Steel rivets
- Designed for professional riveting and continuous operation
- Robust aluminum alloy oil cylinder and air cylinder bodies
- Oil leakage and air leakage free model, ideal for both light and heavy duty production requirements
- Set includes 4 interchangeable standard nosepieces, rivet mandrel collector, two service combination wrenches and brush



| Rivet Diameter | Rivet Material | | |
|--------------------|----------------|-------|------------------------|
| | Aluminum | Steel | Stainless Steel (Inox) |
| 2.4mm or 3/32" | ● | ● | ● |
| 3.0/3.2mm or 1/8" | ● | ● | ● |
| 4.0mm or 5/32" | ● | ● | ● |
| 4.8/5.0mm or 3/16" | ● | ● | ● |

| ITEM NO. | KARA0205B |
|--|--|
| SPECIFICATIONS  10 | |
| Rivet Diameter | 2.4, 3.0/3.2, 4.0, 4.8/5.0 mm or 3/32", 1/8", 5/32", 3/16" |
| Stroke Length | 16mm |
| Traction Power | 9000 N / 2000 lbf |
| Air Pressure | 80-95 PSI (5.5-6.5 BAR) |
| Air Consumption Per Rivet | 0.07 CFR / 2.1 LPR |
| Air Inlet | 1/4" PT |
| Min. Air Hose | 5/16" I.D. |
| Overall Length | 10-11/16" / 272mm |
| Net Weight | 3.76 lbs / 1.71 kgs |



Air cylinder end cap with patented rivet size hole gauge design

TOPTUL®


Air Hydraulic Riveter

Professional Grade Air Tools

- Suitable for Aluminum/Steel & Stainless Steel rivets
- Designed for professional riveting and continuous operation
- Twin air inlet design allows easy operation by right-handed or left-handed users
- New spent mandrel container to protect operator's eyes and keep working places clean
- Shock-reducer design to minimize hand fatigue
- Noise silencer design for working pleasure
- Smart nosepieces storage design to avoid losing nosepieces
- Oil refill hole design for quickly refilling the shortage of hydraulic oil
- Set includes rivet mandrel collector, two combination wrenches, brush, hydraulic oil injector without oil and one set of extra jaws



| Rivet Diameter | Rivet Material | | |
|--------------------|----------------|-------|------------------------|
| | Aluminum | Steel | Stainless Steel (Inox) |
| 2.4mm or 3/32" | ● | ● | ● |
| 3.0/3.2mm or 1/8" | ● | ● | ● |
| 4.0mm or 5/32" | ● | ● | ● |
| 4.8/5.0mm or 3/16" | ● | ● | ● |

| ITEM NO. | KARA0205 |
|--|--|
| SPECIFICATIONS  10 | |
| Rivet Diameter | 2.4, 3.0/3.2, 4.0, 4.8/5.0 mm or 3/32", 1/8", 5/32", 3/16" |
| Stroke Length | 18mm |
| Traction Power | 9000 N / 2000 lbf |
| Air Pressure | 80-95 PSI (5.5-6.5 BAR) |
| Air Consumption Per Rivet | 0.08 CFR / 2.4 LPR |
| Air Inlet | 1/4" PT |
| Min. Air Hose | 5/16" I.D. |
| Overall Length | 10-5/8" / 270mm |
| Net Weight | 3.92 lbs / 1.78 kgs |



Air cylinder end cap with rivet size hole gauge and nosepieces storage design

TOPTUL®

Heavy Duty Air Hydraulic Riveter Professional Grade Air Tools

- Suitable for Aluminum/Steel & Stainless Steel rivets
- Designed for professional riveting and continuous operation
- Twin air inlet design allows easy operation by right-handed or left-handed users
- New spent mandrel container to protect operator's eyes and keep working places clean
- Shock-reducer design to minimize hand fatigue
- Noise silencer design for working pleasure
- Smart nosepieces storage design to avoid losing nosepieces
- Oil refill hole design for quickly refilling the shortage of hydraulic oil
- Set includes rivet mandrel collector, two combination wrenches, brush, hydraulic oil injector without oil and one set of extra jaws



| Rivet Diameter | Rivet Material | | |
|--------------------|----------------|-------|------------------------|
| | Aluminum | Steel | Stainless Steel (Inox) |
| 3.0/3.2mm or 1/8" | ● | ● | ● |
| 4.0mm or 5/32" | ● | ● | ● |
| 4.8/5.0mm or 3/16" | ● | ● | ● |
| 6.0mm | ● | ● | ● |
| 6.4mm or 1/4" | ● | ● | ● |

| ITEM NO. | KARA0306 |
|---------------------------|--|
| SPECIFICATIONS | |
| Rivet Diameter | 3.0/3.2, 4.0, 4.8/5.0, 6.0, 6.4 mm or 1/8", 5/32", 3/16", 1/4" |
| Stroke Length | 15.8mm |
| Traction Power | 14700 N / 3300 lbf |
| Air Pressure | 85-100 PSI (5.9-6.9 BAR) |
| Air Consumption Per Rivet | 0.11 CFR / 3.1 LPR |
| Air Inlet | 1/4" PT |
| Min. Air Hose | 3/8" I.D. |
| Overall Length | 10-13/16" / 275mm |
| Net Weight | 4.65 lbs / 2.11 kgs |



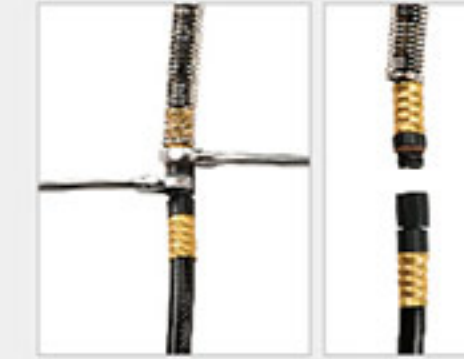
Air cylinder end cap with rivet size hole gauge and nosepieces storage design

Air Hose Reel

- Robust metal case for heavy-duty applications
- Polyurethane Braid Hose can be extended and retracted by simple pull and release mechanism
- Automatic rewind hose reel with SK5 spring steel spring provides easy locking and retracting of hose
- Built-in 16 teeth multi-position ratchet gear lock system for securing hose at desired length and ensures maximum safety and reliability
- Movable retaining ball allows easy adjustment of leader hose to desired length
- Quickly and easily replaceable air hose design
- Supplied with swivel metal mounting bracket for fixing to wall or ceiling
- Max. Working Pressure: 300PSI
- Working Temperature: -10°C to 65°C



• Built-in 16 teeth ratchet mechanism.



• Disassemble & replace the connection air hose.



| ITEM NO. | Hose I.D. (mm) | Hose O.D. (mm) | Hose Length (M) | Coupler Type | Air Inlet / Outlet | W | H |
|-----------|----------------|----------------|-----------------|--------------|--------------------|---|---|
| KHAP0810E | 8 | 12 | 10 | EU | 1/4" PT | 1 | 2 |
| KHAP0815E | 8 | 12 | 15 | EU | 1/4" PT | 1 | 2 |
| KHAP1010E | 9.5 | 13.5 | 10 | EU | 1/4" PT | 1 | 2 |
| KHAP1012E | 9.5 | 13.5 | 12 | EU | 1/4" PT | 1 | 2 |

Air Inlet Nipple



| ITEM NO. | Thread | L(mm) | Material | Type | W | H |
|----------|----------------|-------|----------|------|----|-----|
| KALC081E | 1/4" PT (Male) | 33.4 | Brass | EU | 20 | 360 |
| KALC082J | 1/4" PT (Male) | 40 | Steel | JP | 20 | 360 |

Mini Oiler

- For automatic oiling of compressed air tools
- Extends the service life of pneumatic tools
- Compact design and refillable
- Solid brass construction
- Air Inlet & Outlet Thread: 6.3mm (1/4")
- Filling Capacity: 5 c.c.



| ITEM NO. | SIZE | L(mm) | W | H |
|----------|---------|-------|----|----|
| KALA0815 | 1/4" PT | 54 | 20 | 80 |



Impact Wrench Display Stand

- Made of Drop forged Aluminum Alloy Steel
- With SNCM connector
- Ideal for representing air impact wrenches



• Not included Air tool with coupler and plug connector

| ITEM NO. | SIZE (W)x(D)x(H)mm | Outlet Thread | W | H |
|----------|--------------------|---------------|----|---|
| KALF1712 | 170x120x60 | 1/4" - 19PT | 30 | |

**PROFESSIONAL
POWER TOOLS**



**Professional
Cordless Series
Cordless Power Tools**

18V Fast Charger

- Designed for 18V Ah Li-ion high performance rechargeable battery
- Impact resistant ABS housing

| ITEM NO. | KALD0124 | | 4 | | Types of Plug Adapter | | | |
|--------------------------|---------------------------|--|---|--|-----------------------|----------|----------|----------|
| Power Supply | AC 100 - 240V / 50 - 60Hz | | | | A | E | Z | U |
| Power Consumption | DC 21V 3.0A | | | | (US) | (EU) | (AUNZ) | (UK) |
| Power Supply | AC 100 - 240V / 50 - 60Hz | | | | J | | | |
| Power Consumption | DC 21V 2.3A | | | | (JP) | | | |



18V Li-ion Battery

- 18V Li-ion high performance rechargeable battery
- Impact resistant ABS+PP housing

| ITEM NO. | Ah | Charging Time Approx. | Suitable for TOPTUL Charger type | 1 | 8 | Types of Plug Adapter (power charger) | | | |
|----------|-----|-----------------------|--|---|---|---------------------------------------|----------|----------|----------|
| KALD0302 | 4.0 | 110 mins | KALD0124A KALD0124E KALD0124Z KALD0124U | 1 | 8 | A | E | Z | U |
| | | | (US) | | | (EU) | (AUNZ) | (UK) | |
| KALD0304 | 5.0 | 120 mins | KALD0124J | 1 | 8 | J | | | |
| | | | (JP) | | | | | | |
| KALD0304 | 5.0 | 120 mins | KALD0124A KALD0124E KALD0124Z KALD0124U | 1 | 8 | A | E | Z | U |
| | | | (US) | | | (EU) | (AUNZ) | (UK) | |
| KALD0304 | 5.0 | 150 mins | KALD0124J | 1 | 8 | J | | | |
| | | | (JP) | | | | | | |



TOPTUL

1/2" DR. Brushless Cordless Impact Wrench

- Powerful motor with brushless design for maximum output torque
- Brushless motor provides greater working life time than brush motor
- Metal gearbox provides great efficient power transmission and durability of tools
- Aluminum front housing enhances excellent heat dispersion for increasing motor life
- Variable speed control for optimal performance during all applications
- One hand F/R switch design for easy one-hand operation
- Temperature and electric current overload protection
- LED switch on/off button
- Battery power indication
- Ergonomic comfort-grip handle to reduce user fatigue

CE FC

Durable Aluminum Housing

Super strong aluminum die-casting housing enhances excellent heat dispersion for increasing motor life



BRUSHLESS MOTOR

One-Hand Switch Button

Unique F/R switch design for easy one-hand operation



CARBON BRUSH MOTOR

Durable & Long Life Anvil
High quality material made durable anvil with special heat treatment

Composite Grip Handle
Lightweight & Ergonomic designed steel / composite handle



| Contents | Q'TY |
|----------------------------------|------|
| Brushless Cordless Impact Wrench | 1 |
| Li-ion Battery | 2 |
| Charger | 1 |

High-performance

| ITEM NO. | KPAA1650 |
|-----------------------|--|
| SPECIFICATIONS | |
| Max. For. Torque | 2655 in-lb / 300 Nm |
| Max. Rev. Torque | 4425 in-lb / 500 Nm |
| Free Speed | 0-3000 RPM |
| Power | Battery Rechargeable Li-ion Battery 18V 4.0Ah Power Supply AC 100 - 240V / 50 - 60Hz Power Consumption DC 21V 3.0A Type: JP Battery Rechargeable Li-ion Battery 18V 4.0Ah Power Supply AC 100 - 240V / 50 - 60Hz Power Consumption DC 21V 2.3A |
| Charging Time | 110 - 150 mins (approx.) |
| Charging Temperature | 0°C - 40°C |
| Operation Temperature | 0°C - 40°C |
| Storage Temperature | -20°C - 40°C |
| Overall Length | 7-3/8" / 188mm |
| Net Weight | 3.60 lbs / 1.65 kgs (with battery) |

BLOW CASE: W400 x D320 x H100 (mm)

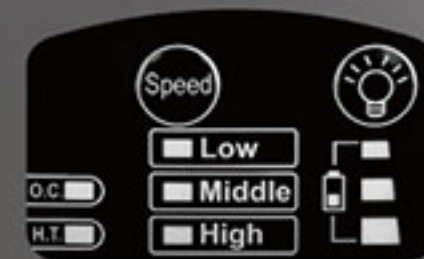


TOPTUL

1/4" Hex. Brushless Cordless Impact Driver

- Powerful motor with brushless design for maximum output torque
- Brushless motor provides greater working life time than brush motor
- Variable speed control for optimal performance during all applications
- One hand F/R switch design for easy one-hand operation
- Metal gearbox provides great efficient power transmission and durability of tools
- Aluminum front housing enhances excellent heat dispersion for increasing motor life
- Temperature and electric current overload protection
- LED switch on/off button
- Battery power indication
- Ergonomic comfort-grip handle to reduce user fatigue

CE FC



| Contents | Q'TY |
|----------------------------------|------|
| Brushless Cordless Impact Driver | 1 |
| Li-ion Battery | 2 |
| Charger | 1 |

High-performance

| ITEM NO. | KPBA0840 |
|-----------------------|--|
| SPECIFICATIONS | |
| Max. For. Torque | 2213 in-lb / 250 Nm |
| Max. Rev. Torque | 3540 in-lb / 400 Nm |
| Free Speed | 0-3000 RPM |
| Power | Battery Rechargeable Li-ion Battery 18V 4.0Ah Power Supply AC 100 - 240V / 50 - 60Hz Power Consumption DC 21V 3.0A Type: JP Battery Rechargeable Li-ion Battery 18V 4.0Ah Power Supply AC 100 - 240V / 50 - 60Hz Power Consumption DC 21V 2.3A |
| Charging Time | 110 - 150 mins (approx.) |
| Charging Temperature | 0°C - 40°C |
| Operation Temperature | 0°C - 40°C |
| Storage Temperature | -20°C - 40°C |
| Overall Length | 7-1/16" / 180mm |
| Net Weight | 3.56 lbs / 1.62 kgs (with battery) |

BLOW CASE: W400 x D320 x H100 (mm)



TOPTUL®

Brushless Cordless Rivet Tool

- Powerful motor with brushless design for maximum output traction power
- Brushless motor provides greater working life time than brush motor
- Metal gearbox provides great efficient power transmission and durability of tools
- High & Low speed control for optimal performance during all applications
- Two-position of gear ratio setting design allows user to adjust the transmission force in various operation
- One hand F/R switch design for easy one-hand operation
- Temperature and electric current overload protection
- Automatic reversing
- Precision IC board control
- LED switch on/off button
- Battery power indication
- Ergonomic comfort-grip handle to reduce user fatigue

CE FC



| Contents | Q'TY |
|---|------|
| Brushless Cordless Rivet Tool | 1 |
| Li-ion Battery | 2 |
| Charger | 1 |
| Nozzle Wrench: Include Nozzles: 3.2, 4.0, 4.8, 6.4 | 1 |
| Rivet Head Wrench | 1 |

| Rivet Diameter | Rivet Material | | | |
|----------------|----------------|-------|-----------------------|-----------------|
| | Aluminum | Metal | SS with Metal Mandrel | Stainless Steel |
| 3.2mm or 1/8" | ● | ● | ● | ● |
| 4.0mm or 5/32" | ● | ● | ● | |
| 4.8mm or 3/16" | ● | ● | | |
| 6.4mm or 1/4" | ● | | | |

| ITEM NO. | KPRA0306 |
|-----------------------|--|
| SPECIFICATIONS | |
| Rivet Diameter | 3.2, 4.0, 4.8, 6.4 mm / 1/8", 5/32", 3/16", 1/4" |
| Stroke | 26 mm (max.) |
| Free Speed | 0-240 / 370 / 720 / 1120 RPM |
| Speed Selector | 4 |
| Traction Power | 8200 N |
| Power | Battery Rechargeable Li-ion Battery 18V 4.0Ah Power Supply AC 100 - 240V / 50 - 60Hz Power Consumption DC 21V 3.0A Type: JP Battery Rechargeable Li-ion Battery 18V 4.0Ah Power Supply AC 100 - 240V / 50 - 60Hz Power Consumption DC 21V 2.3A |
| Charging Time | 110 - 150 mins (approx.) |
| Charging Temperature | 0°C - 40°C |
| Operation Temperature | 0°C - 40°C |
| Storage Temperature | -20°C - 40°C |
| Overall Length | 12-3/16" / 310 mm |
| Net Weight | 4.37 lbs / 1.99 kgs (with battery) |

BLOW CASE: W400 x D320 x H100 (mm)



TOPTUL®

Brushless Cordless Rivet Nut Tool

- Powerful motor with brushless design for maximum output traction power
- Brushless motor provides greater working life time than brush motor
- Metal gearbox provides great efficient power transmission and durability of tools
- High & Low speed control for optimal performance during all applications
- Two-position of gear ratio setting design allows user to adjust the transmission force in various operation
- One hand F/R switch design for easy one-hand operation
- Clutch Mechanism design with five-positions of rotary switch in housing for controlling output torque in work
- Fast and simple exchange of threaded mandrel
- Easy and safe drill-on of the blind rivet nut in various type and size
- Temperature and electric current overload protection
- Automatic reversing
- Precision IC board control
- LED switch on/off button
- Battery power indication
- Ergonomic comfort-grip handle to reduce user fatigue

CE FC



SPIN-SPIN

| Contents | Q'TY |
|--|------|
| Brushless Cordless Rivet Nut Tool (Spin-Spin) | 1 |
| Li-ion Battery | 2 |
| Charger | 1 |
| Parts Kit: Nozzles - M5, M6, M8, M10 Screw Mandrels - M5, M6, M8, M10 Screw Mandrel Adapter - M5, M6, M8, M10 Screw Mandrel Fixed Seat - M5, M6, M8, M10 | 1 |
| Rivet Nut Head / Nozzle Wrench | 1 |

| ITEM NO. | KPNA0510 |
|-----------------------|--|
| SPECIFICATIONS | |
| Rivet Nut | M5, M6, M8, M10 (Steel) |
| Free Speed | 0-240 / 370 / 720 / 1120 RPM |
| Speed Selector | 4 |
| Clutch Settings | 5 |
| Power | Battery Rechargeable Li-ion Battery 18V 4.0Ah Power Supply AC 100 - 240V / 50 - 60Hz Power Consumption DC 21V 3.0A Type: JP Battery Rechargeable Li-ion Battery 18V 4.0Ah Power Supply AC 100 - 240V / 50 - 60Hz Power Consumption DC 21V 2.3A |
| Charging Time | 110 - 150 mins (approx.) |
| Charging Temperature | 0°C - 40°C |
| Operation Temperature | 0°C - 40°C |
| Storage Temperature | -20°C - 40°C |
| Overall Length | 9-21/32" / 245 mm |
| Net Weight | 3.96 lbs / 1.8 kgs (with battery) |

BLOW CASE: W400 x D320 x H100 (mm)



USB Cordless Screwdriver

Lightweight & Ergonomic Designed



TOPTUL

1/4" Hex. 6.4V USB Cordless Screwdriver

- One hand F/R trigger design for easy one-hand operation
- Auto lock for manual tighten
- Bright LED light illuminates the work area
- Fully metal gearbox for maximum output torque
- Lightweight & ergonomic designed, ABS + TPR composite handle
- Easy for carry in any pants pocket
- Quick change chuck for easy installing and removing bits
- Installed Li-ion battery
- Standard Micro USB for easy to recharge battery by using mobile phone's charger
- Includes: 3 pcs power screwdriver bits (S2 Steel), 2 pcs power drill bits (HSS Steel), Micro USB charging cord

CE FC

CHARGING USB Li-ion BATTERY



| Contents | Q'TY |
|---|------|
| Cordless Screwdriver | 1 |
| Power Bit Set (1.0x6.0mm, PH1 & PH2, 2.0 & 3.0mm) | 1 |
| Micro USB/USB cord | 1 |

| ITEM NO. | KPDB0805 | * |
|-----------------------|---|----|
| SPECIFICATIONS | | |
| Max. Torque | 4.5 Nm | 12 |
| Free Speed | 0-265 RPM | |
| Power | Battery Rechargeable LI-ion Battery Voltage 6.4V 1.0Ah | |
| Charging time | 150 mins (approx.) | |
| Charging Temperature | 0°C - 40°C | |
| Operation Temperature | 0°C - 40°C | |
| Storage Temperature | -20°C - 40°C | |
| Overall Length | 128 mm | |
| Net Weight | 360g | |



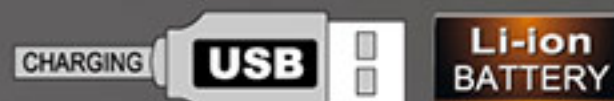
TOPTUL

1/4" Hex. 3.6V USB Cordless Screwdriver

CE FC

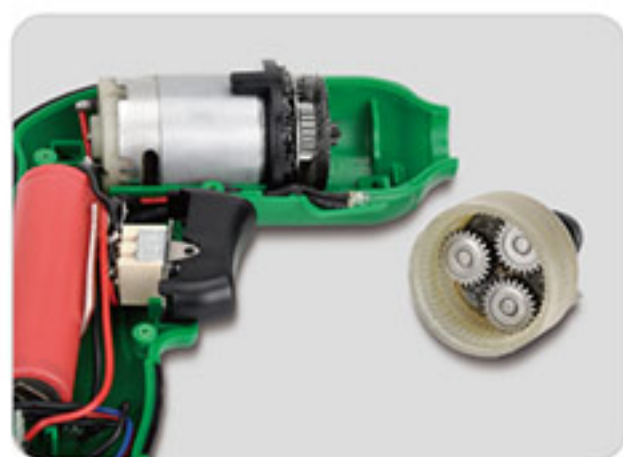
- One hand F/R trigger design for easy one-hand operation
- Auto lock for manual tighten
- Bright LED light illuminates the work area
- Fully metal gearbox for maximum output torque
- Lightweight & ergonomic designed, ABS + TPR composite handle
- Easy for carry in any pants pocket
- Installed Li-ion battery
- Standard Micro USB for easy to recharge battery by using mobile phone's charger
- Includes: 5 pcs power screwdriver bits, Micro USB charging cord

High-performance



| Contents | Q'TY |
|---|------|
| Cordless Screwdriver | 1 |
| Power Screwdriver Bit Set (1.0x6.0mm, 3 & 4mm, PH1 & PH2) | 1 |
| Micro USB/USB cord | 1 |

| ITEM NO. | KPDB0803 |
|-----------------------|--|
| SPECIFICATIONS | |
| Max. Torque | 3 Nm |
| Free Speed | 0-350 RPM |
| Power | Battery Rechargeable Li-ion Battery Voltage 3.6V 1.95Ah |
| Charging time | 160 mins (approx.) |
| Charging Temperature | 0°C - 40°C |
| Operation Temperature | 0°C - 40°C |
| Storage Temperature | -20°C - 40°C |
| Overall Length | 110 mm |
| Net Weight | 325g |



PROFESSIONAL
HAND TOOLS

236

HEXAGON & STAR KEYS SERIES

Practical allen and star key wrenches for screw fastening and unfastening works.



HEXAGON & STAR KEYS