

Hex Key Wrench Set

TOPTUL hex key wrench is made of high grade Nickel Chrome Molybdenum Alloy Steel (SNCM+V tool steel). Premium quality steel is well tempered and hardened for maximum hardness and strength. Precision machined hex tip enables for full tool engagement in the screw. Fine and smooth surface of special satin chrome plating allows the tools to operate with less friction and ensures maximum wear resistance, durability and corrosion resistance.



Hexagon & Star Keys

9PCS
Short Type Hex Key Wrench Set



ITEM NO. CONTENTS
GAAL0910 • AGAS0205-1012
1.5, 2, 2.5, 3, 4, 5, 6, 8, 10 mm

9PCS
Short Type Star Key Wrench Set



ITEM NO. CONTENTS
GAAL0913 • AIAS1050-5012
T10, T15, T20, T25, T27, T30, T40, T45, T50

9PCS
Long Type Hex Key Wrench Set



ITEM NO. CONTENTS
GAAL0911 • AGAL1E08-1018
1.5, 2, 2.5, 3, 4, 5, 6, 8, 10 mm

9PCS
Long Type Star Key Wrench Set



ITEM NO. CONTENTS
GAAL0914 • AIAL1007-5018
T10, T15, T20, T25, T27, T30, T40, T45, T50

9PCS
Extra Long Type Hex Key Wrench Set



ITEM NO. CONTENTS
GAAL0912 • AGAE1E09-1023
1.5, 2, 2.5, 3, 4, 5, 6, 8, 10 mm

9PCS
Extra Long Type Star Key Wrench Set



ITEM NO. CONTENTS
GAAL0924 • AIAE1010-5023
T10, T15, T20, T25, T27, T30, T40, T45, T50

9PCS
Extra Long Type Ball Point Hex Key Wrench Set (Short-Arm Hex Key End Type)



ITEM NO. CONTENTS
GAAL0922 • 1.5, 2, 2.5, 3, 4, 5, 6, 8, 10 mm

9PCS
Extra Long Type Star Key Wrench Set (Short-Arm Star Key End Type)



ITEM NO. CONTENTS
GAAL0923 • T10, T15, T20, T25, T27, T30, T40, T45, T50

9PCS
Long Type Ball Point Hex Key Wrench Set



ITEM NO. CONTENTS
GAAL0916 • AGLB1E08-1018
1.5, 2, 2.5, 3, 4, 5, 6, 8, 10 mm

9PCS
Long Type Star Tamperproof Key Wrench Set



ITEM NO. CONTENTS
GAAL0919 • T10, T15, T20, T25, T27, T30, T40, T45, T50

9PCS
Long Type Ball Point Hex Key Wrench Set



ITEM NO. CONTENTS
GBAL0901 • AHBLO208-1217
1/16", 5/64", 3/32", 1/8", 5/32", 3/16", 1/4", 5/16", 3/8"

9PCS
Extra Long Type Star Tamperproof Key Wrench Set



ITEM NO. CONTENTS
GAAL0915 • AIBE1009-5023
T10, T15, T20, T25, T27, T30, T40, T45, T50

9PCS
Extra Long Type Ball Point Hex Key Wrench Set



ITEM NO. CONTENTS
GAAL0917 • AGBE1E09-1023
1.5, 2, 2.5, 3, 4, 5, 6, 8, 10 mm

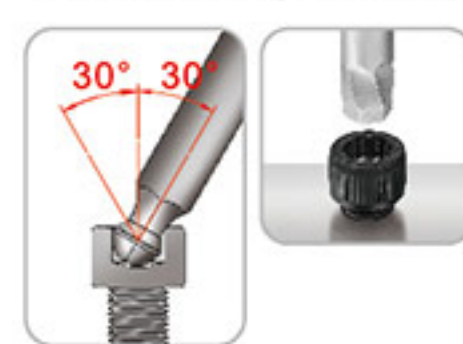
9PCS
Color-Ring Extra Long Type Ball Point Hex Key Wrench Set



ITEM NO. CONTENTS
GAAL0918 • 1.5, 2, 2.5, 3, 4, 5, 6, 8, 10 mm

9PCS
Extra Long Type Ball Point Hex Key Wrench Set (Extractor)

- Made of high grade Nickel Chrome Molybdenum Alloy Steel (SNCM+V tool steel)
- Patented design spiral hex drive key end allows easy removal of damaged or rounded out hex screws/bolts
- Ball type hexagon end also allows key to be used up to 30° angle from screw head recess
- Satin-chrome plating for fine corrosion resistance and durability



ITEM NO. CONTENTS
GAAL0927 • AGME1E09-1023
1.5, 2, 2.5, 3, 4, 5, 6, 8, 10 mm

7PCS
Short Type Star Key Wrench Set



ITEM NO. CONTENTS
GAAL0705 • AIAS1050-4010
T10, T15, T20, T25, T27, T30, T40

7PCS
Short Type Hex Key Wrench Set



ITEM NO. CONTENTS
GAAL0701 • AGAS2E06-1012
2.5, 3, 4, 5, 6, 8, 10 mm

7PCS
Long Type Ball Point Hex Key Wrench Set



ITEM NO. CONTENTS
GAAL0704 • AGLB2E09-1018
2.5, 3, 4, 5, 6, 8, 10 mm

9PCS
Extra Long Type Ball End Star & Tamperproof Key Wrench Set

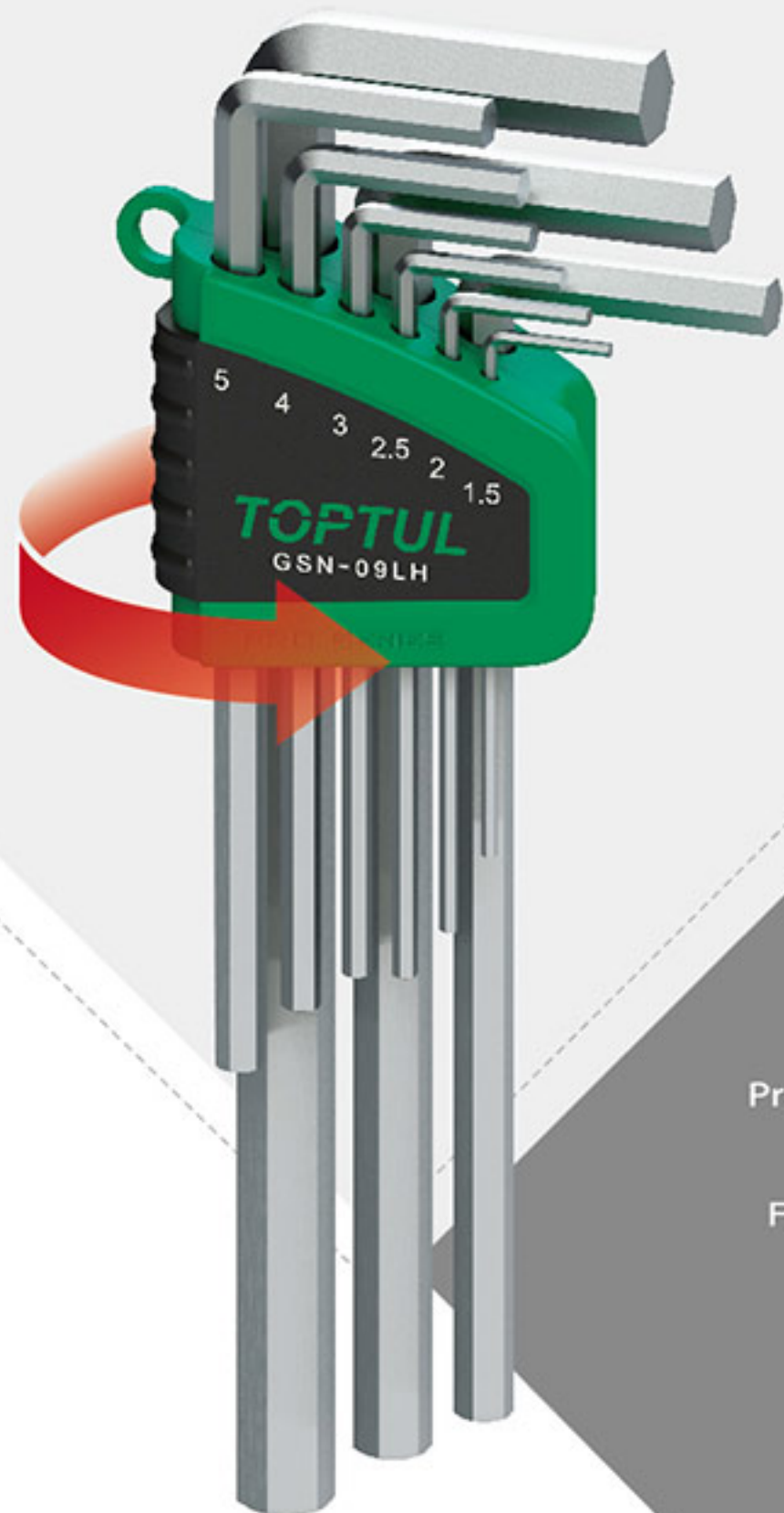
- Made of S2 Alloy Steel Material
- Ball End allows key to be used up to 20° angle from screwhead



ITEM NO. CONTENTS
GAAL0928 • T10, T15, T20, T25, T27, T30, T40, T45, T50



Pro Series Key Wrench Set



TOPTUL Pro Series Key Wrench is made of high grade S2 tool Steel. Premium quality tool steel is well tempered and hardened for maximum strength and durability. Fine and smooth surface of special satin chrome plating allows the tools to operate with less friction and ensures maximum wear and corrosion resistance. Flat sleeve-case design with hinged flap for easy tool storage. Clear size marking also allows for quick wrench selection. Hanging hole can be hung or used with a tool lanyard.



9PCS
Short Type Hex Key Wrench Set

9PCS
Long Type Hex Key Wrench Set

9PCS
Short Type Star Key Wrench Set

9PCS
Long Type Star Key Wrench Set

9PCS
Extra Long Type Hex Key Wrench Set



ITEM NO. GSN-09SH **CONTENTS** 1.5, 2, 2.5, 3, 4, 5, 6, 8, 10 mm **8 (SET)**



ITEM NO. GSN-09LH **CONTENTS** 1.5, 2, 2.5, 3, 4, 5, 6, 8, 10 mm **10 (SET)**



ITEM NO. GSN-09EH **CONTENTS** 1.5, 2, 2.5, 3, 4, 5, 6, 8, 10 mm **8 (SET)**

9PCS
Long Type Ball Point Hex Key Wrench Set

9PCS
Extra Long Type Ball Point Hex Key Wrench Set

9PCS
Extra Long Type Star Tamperproof Key Wrench Set



ITEM NO. GSN-09LB **CONTENTS** 1.5, 2, 2.5, 3, 4, 5, 6, 8, 10 mm **10 (SET)**



ITEM NO. GSN-09EB **CONTENTS** 1.5, 2, 2.5, 3, 4, 5, 6, 8, 10 mm **10 (SET)**



ITEM NO. GSN-09ET **CONTENTS** T10, T15, T20, T25, T27, T30, T40, T45, T50 **8 (SET)**

// 7-in-1 Folding Hex Key Set

- Ultra light weight & high strength compact anodized Aluminum Alloy handle
- Hex key is made of heat-treated chrome vanadium steel for maximum strength and durability
- Precision machined hex tips for exact fit
- Chrome-plated finish provides excellent corrosion resistance



ITEM NO.	CONTENTS	12
AGFH0701	2.5, 3, 4, 5, 6, 8, 10 mm	

// 8-in-1 Folding Star Key Set

- Ultra light weight & high strength compact anodized Aluminum Alloy handle
- Star key is made of heat-treated chrome vanadium steel for maximum strength and durability
- Precision machined star tips for exact fit
- Chrome-plated finish provides excellent corrosion resistance



ITEM NO.	CONTENTS	12
AIFH0801	T9, T10, T15, T20, T25, T27, T30, T40	

// 7-in-1 Foldable Hex Key Wrench Set



ITEM NO.	CONTENTS	16
AGFB0703	2.5, 3, 4, 5, 6, 8, 10 mm	

// 8-in-1 Foldable Star Key Wrench Set



ITEM NO.	CONTENTS	16
AIFB0801	T9, T10, T15, T20, T25, T27, T30, T40	

// 7-in-1 Foldable Hex Key Wrench Set



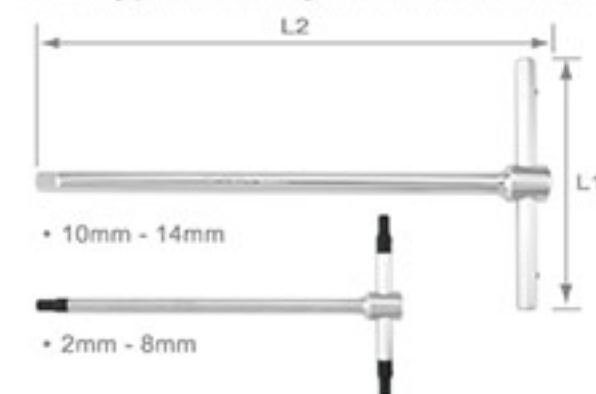
ITEM NO.	CONTENTS	16
AGFB0701	2, 2.5, 3, 4, 5, 6, 8 mm	

// 8-in-1 Foldable Star Key Wrench Set



ITEM NO.	CONTENTS	16
AIFB0802	T6, T7, T8, T9, T10, T15, T20, T25	

// T-Type Hex Key Wrench



ITEM NO.	SIZE (mm)	L1 (mm)	L2 (mm)	10
AGDB0213	2	65	125	25 100
AGDB2E13	2.5	65	125	25 100
AGDB0313	3	65	125	25 100
AGDB3E13	3.5	65	125	25 100
AGDB0418	4	90	180	25 100
AGDAE418	4.5	90	180	20 100
AGDB0518	5	90	180	25 100
AGDB0621	6	105	210	25 100
AGDA0721	7	105	210	20 100
AGDB0825	8	125	250	25 100
AGDB1030	10	145	300	25 50
AGDB1232	12	165	320	10 30
AGDA1434	14	170	340	10 20

// 5PCS Spline Key Wrench Set



ITEM NO.	CONTENTS	40 (SET)
GAAD0501	AGGS0508-1211 M5, M6, M8, M10, M12 METAL CASE: W152 x D89 x H17 (mm)	

// 9PCS Extra Long Type Hex Key Wrench Set



ITEM NO.	CONTENTS	10 (SET)
GAAD1509	3, 4, 5, 6, 8, 10, 12, 14 mm 1 Knife Type 1.5-6 mm METAL CASE: W313 x D103 x H32 (mm)	



NEW INNOVATION MODEL TOPTUL L-Handle Key Wrench Series



Features:

- Expert quality, hardened and tempered SNCM+V Alloy Steel
- Ergonomic designed L-Handle allows comfortable and effective use of either end of key
- Professional Satin-Chrome plating with black hardened tip
- Anti-slip bi-component PP+TPR material soft grip handle
- Available in two ways of Spherical & Hexagon, Hexagon & Hexagon and Star & Tamperproof key wrenches

// L-Type Two Way Hex Key Wrench



ITEM NO.	SIZE (mm)	L1 (mm)	L2 (mm)	5	80
AGHD0214	2	77	140	5	80
AGHD2E14	2.5	77	140	5	80
AGHD0314	3	77	140	5	80
AGHD0414	4	77	140	5	80
AGHD0520	5	97	203	5	40
AGHD0620	6	97	203	5	40
AGHD0720	7	97	203	5	40
AGHD0827	8	116	265	5	30
AGHD1027	10	116	265	5	30
AGHD1227	12	116	265	5	30

// L-Type Two Way Ball Point & Hex Key Wrench



ITEM NO.	SIZE (mm)	L1 (mm)	L2 (mm)	5	80
AGCD0214	2	77	140	5	80
AGCD2E14	2.5	77	140	5	80
AGCD0314	3	77	140	5	80
AGCD0414	4	77	140	5	80
AGCD0520	5	97	203	5	40
AGCD0620	6	97	203	5	40
AGCD0720	7	97	203	5	40
AGCD0827	8	116	265	5	30
AGCD1027	10	116	265	5	30
AGCD1227	12	116	265	5	30

// L-Type Two Way Star & Tamperproof Key Wrench



ITEM NO.	SIZE	L1 (mm)	L2 (mm)	5	80
AIED1014	T10	77	140	5	80
AIED1514	T15	77	140	5	80
AIED2014	T20	77	140	5	80
AIED2514	T25	77	140	5	80
AIED2720	T27	97	203	5	40
AIED3020	T30	97	203	5	40
AIED4020	T40	97	203	5	40
AIED4527	T45	116	265	5	30
AIED5027	T50	116	265	5	30

// 9PCS L-Type Two Way Hex Key Wrench Set



ITEM NO.	CONTENTS	5 (SET)
GZC0906	AGHD0214-1027 L-Type Two Way Hex Key Wrenches 2x140, 2.5x140, 3x140, 4x140, 5x203, 6x203, 7x203, 8x265, 10x265 mm	

// 9PCS L-Type Two Way Ball Point & Hex Key Wrench Set



ITEM NO.	CONTENTS	5 (SET)
GZC0903	AGCD0214-1027 L-Type Two Way Ball Point & Hex Key Wrenches 2x140, 2.5x140, 3x140, 4x140, 5x203, 6x203, 7x203, 8x265, 10x265 mm	

// 9PCS L-Type Two Way Star & Tamperproof Key Wrench Set



ITEM NO.	CONTENTS	5 (SET)
GZC0904	AIED1014-5027 L-Type Two Way Star & Tamperproof Key Wrenches T10x140, T15x140, T20x140, T25x140, T27x203, T30x203, T40x203, T45x265, T50x265	

8PCS
L-Type Two Way Hex Key Wrench Set



ITEM NO.	CONTENTS	9 (SET)
GAAX0802	AGHD0214-1027 2, 2.5, 3, 4, 5, 6, 8, 10 mm	

8PCS
L-Type Two Way Ball Point & Hex Key Wrench Set



ITEM NO.	CONTENTS	9 (SET)
GAAX0801	AGCD0214-1027 2, 2.5, 3, 4, 5, 6, 8, 10 mm	

9PCS
L-Type Two Way Star & Tamperproof Key Wrench Set



ITEM NO.	CONTENTS	9 (SET)
GAAX0901	AIED1014-5027 T10, T15, T20, T25, T27, T30, T40, T45, T50	

L-Type Two Way Magnetic Bit Holder Handle

- Made of Chrome Vanadium Alloy Steel
- 1/4" (H) Magnetic Stainless Steel Bit Holder



ITEM NO.	Hex (inch)	L1 (mm)	L2 (mm)	5	30
FTFC0820	1/4	118	203		

L-Type Two Way Ball Point & Hex Key Wrench



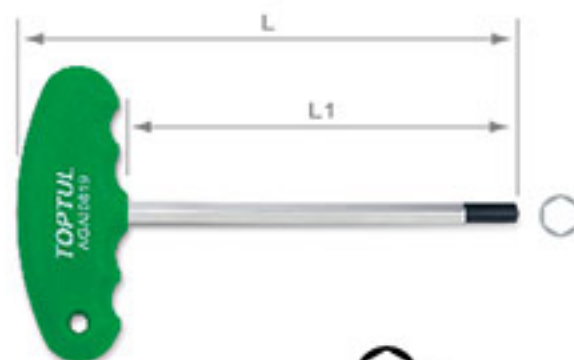
ITEM NO.	SIZE (mm)	L1 (mm)	L2 (mm)	5	80
AGCA0215	2	76	140		
AGCA2E15	2.5	76	140		
AGCA0315	3	76	140		
AGCA0415	4	76	140		
AGCA0521	5	96	203		
AGCA0621	6	96	203		
AGCA0828	8	115	262		
AGCA1028	10	115	262		

L-Type Two Way Star & Tamperproof Key Wrench



ITEM NO.	SIZE	L1 (mm)	L2 (mm)	5	60
AIEA1015	T10	76	142		
AIEA1515	T15	76	142		
AIEA2015	T20	76	142		
AIEA2515	T25	76	142		
AIEA2721	T27	95	206		
AIEA3021	T30	95	206		
AIEA4021	T40	95	206		
AIEA4528	T45	115	261		
AIEA5028	T50	115	261		

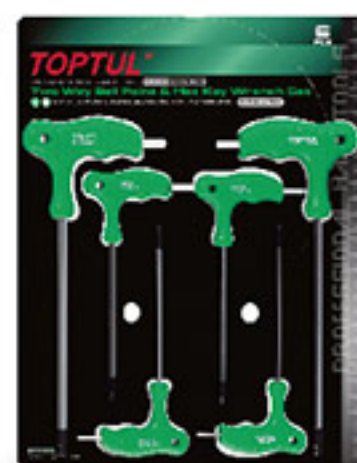
T-Type Hex Key Wrench



ITEM NO.	SIZE (mm)	L1 (mm)	L (mm)	10	60
AGAI0219	2	150	186		
AGAI2E19	2.5	150	186		
AGAI0319	3	150	186		
AGAI0419	4	150	186		
AGAI0519	5	150	188		
AGAI0619	6	150	188		
AGAI0819	8	150	190		
AGAI1019	10	150	190		

ITEM NO.	SIZE (inch)	L1 (mm)	L (mm)	8	48
AHAI0419	1/8	150	186		
AHAI0519	5/32	150	186		
AHAI0619	3/16	150	188		
AHAI0819	1/4	150	188		
AHAI1019	5/16	150	190		
AHAI1219	3/8	150	190		

6PCS
Two Way Ball Point & Hex Key Wrench Set



ITEM NO.	CONTENTS	10 (SET)
GAAS0601	AGCA0215-0621 2, 2.5, 3, 4, 5, 6 mm	

6PCS
Two Way Star & Tamperproof Key Wrench Set



ITEM NO.	CONTENTS	10 (SET)
GAAS0602	AIEA1015-4021 T10, T15, T20, T25, T30, T40	

PROFESSIONAL
HAND TOOLS

**SCREWDRIVERS,
BITS & POWER BITS
SERIES**

The conventional equipment contains Phillips, Slotted, Pozidriv & Star Tamperproof types.